

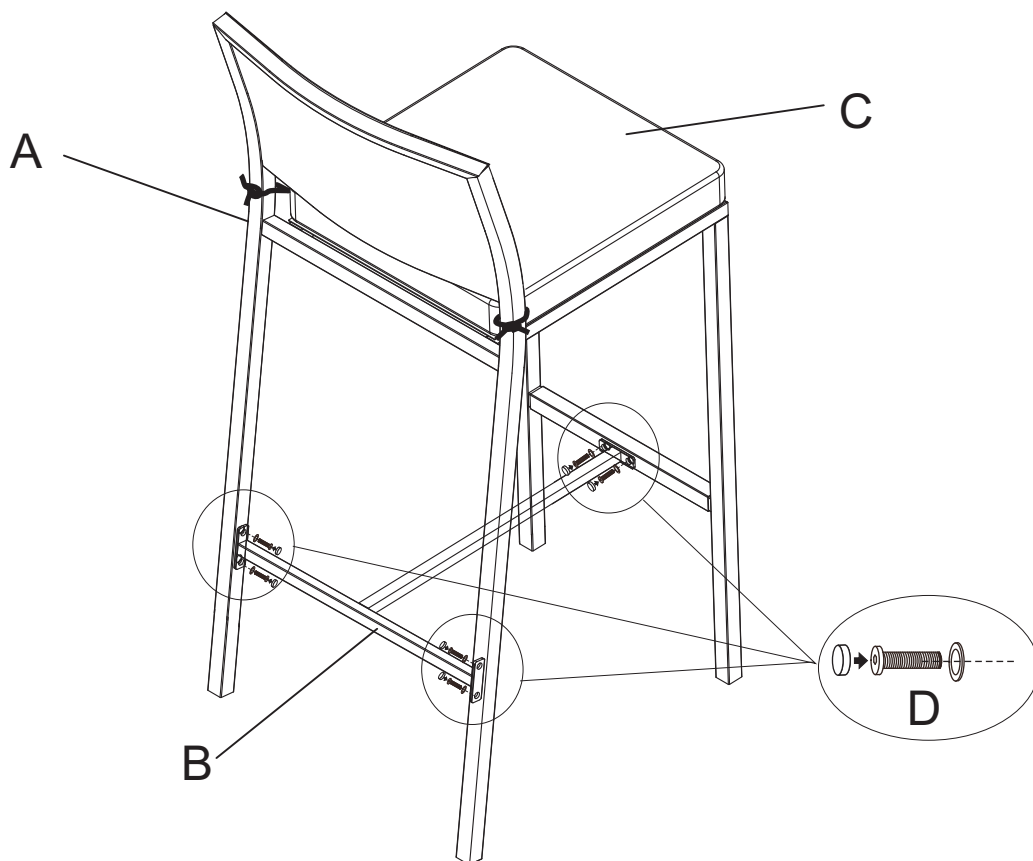
SILVERLEAVES 7 PCE RESIN WICKER BAR SETTING

ASSEMBLY INSTRUCTIONS

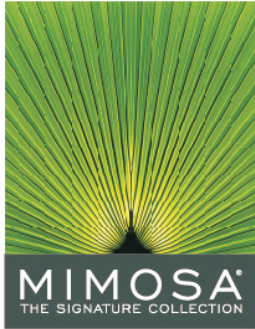
Item No. 3192438

PARTS LIST

 Chair (A)x1	 Support Bar (B)x1	 Cap, Screw and Washer (D)x6
	 Cushion (C)x1	 Allen Key (E)x1



Use screws and washers (D) to fit the support bar (B) to the chair (A). Once all screws are in position tighten securely using Allen key (E), then cap the screws. Complete the chair assembly by securing the cushion (C). Repeat for all the chairs.



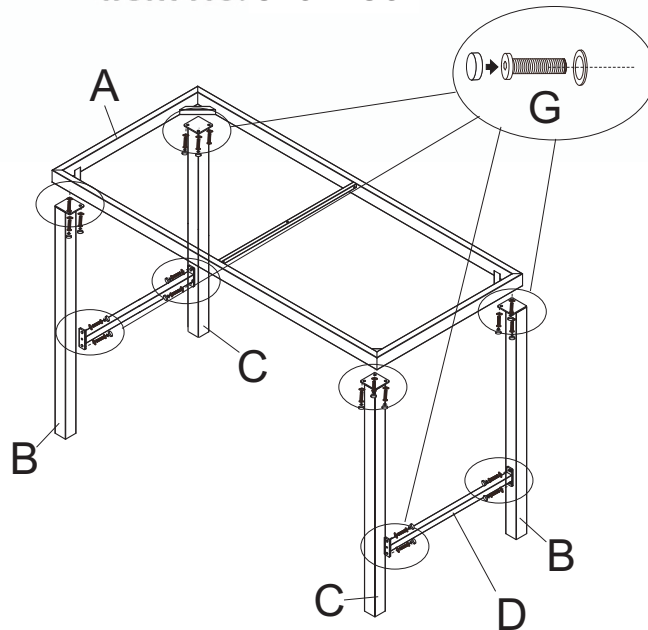
SILVERLEAVES 7 PCE RESIN WICKER BAR SETTING

ASSEMBLY INSTRUCTIONS

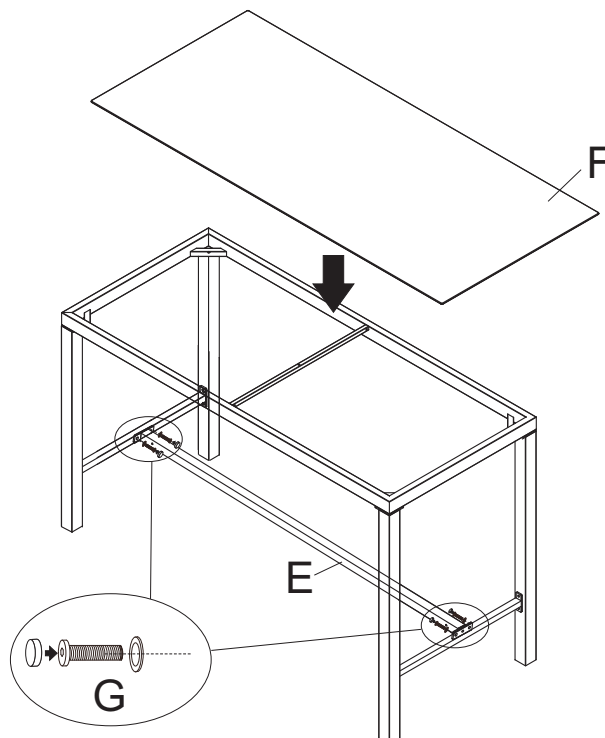
Item No. 3192438

PARTS LIST

Table Top (A)x1
Right Leg (B)x2
Left Leg (C)x2
Cross Support Bar (D)x2
Center Support Bar (E)x1
Glass (F)x1
Cap, Screw and Washer (G)x24
Allen Key (H)x1



Use screws and washers(G) to fit the legs (B) and (C) to the table top (A). Loosely tighten screws using Allen Key (H). Then attach the cross support bar (D) to the table legs (C&B), using screws and washers (G) and Allen Key (H).



Attach the center support bar(E) to the cross support bar(D), using screws and washers (G) and Allen Key (H). Once all screws are in position, tighten securely, then cap the screws. Carefully place the glass table top onto the bar table. Your setting is now ready for use.