



*i* **icon**  
plastics

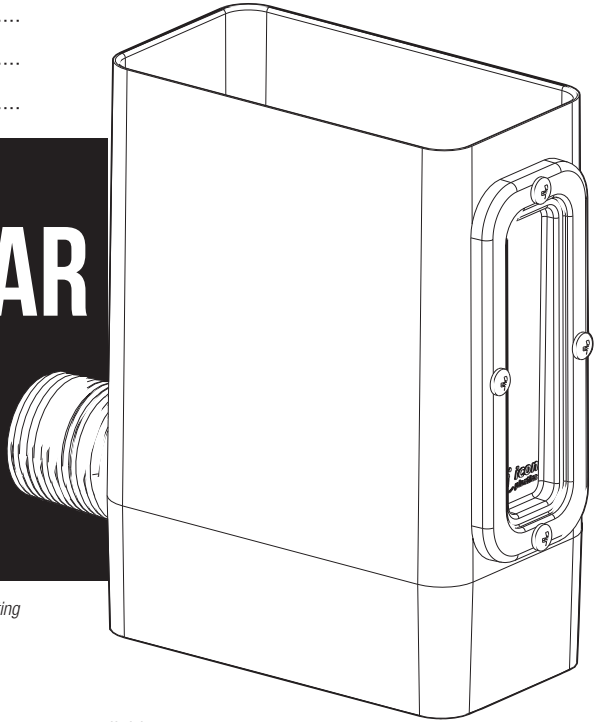
**iconplastics**  
**.com.au**

**T: 1800 803 236**  
**F: 1800 805 086**

<b>Product Code:</b>	001712
<b>Packaging Code:</b>	109-21172
<b>13 Digit Barcode</b>	9312703001712
<b>14 Digit Barcode</b>	19312703001719

## INSTALLATION GUIDE

# RECTANGULAR RAIN DIVERTER



*All technical data and information is correct at the time of printing*

## FEATURES

- // *The most simple and adaptable rainwater diversion system available.*
- // *Diverts rainwater to wherever you want - a tank, a pool, a pond or even direct to a garden bed.*
- // *Outlet designed for a 1" BSP valve, 32mm ID hose or standard hose connector.*
- // *Can be used as an overflow system.*
- // *Sturdy RPVC construction means low maintenance and easily accessible door means easy inspection and cleaning.*
- // *RPVC can be painted to match the colour of any downpipe system.*

## CONTENTS

**1 x Rain Diverter**  
Part number: 001712

# FUNCTION

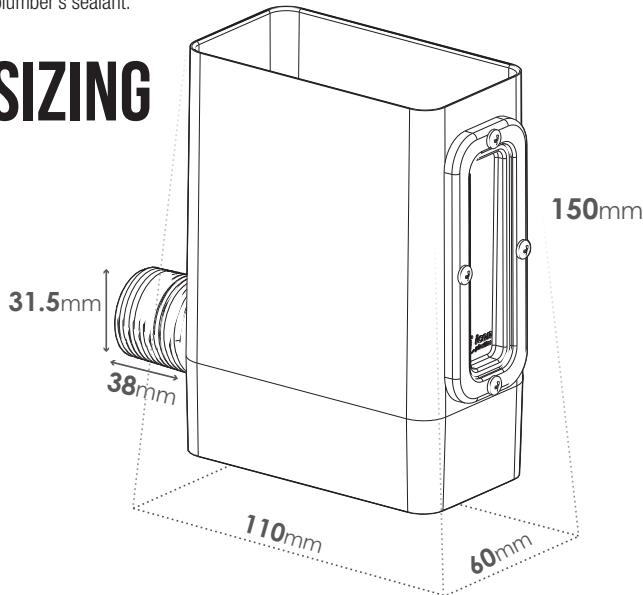
If using as an overflow, make sure the Rain Diverter is installed at an appropriate height to the storage tank.

Carefully select the correct adapters so the Rain Diverter will attach properly to existing downpipes. Icon Plastics makes adapters to fit to 90mm circular downpipe.

If attaching to a circular downpipe smaller than 90mm, cut the Icon Plastics multi-adapter to size. If fitting to rectangular downpipe different to 100mm x 50mm, use one of Icon Plastics' rectangular adapters.

If fitting to metal downpipe always seal the joins with Silicone plumber's sealant.

# SIZING



# INSTALLATION

Locate the most suitable position for the Rain Diverter remembering that the access door is on the side.

Remove any clips or ties holding the downpipe in place.

If using the Rain Diverter without adaptors, measure and mark 110mm of downpipe.

If using adaptors, measure and mark 170mm.

Cut and remove the required length of downpipe.

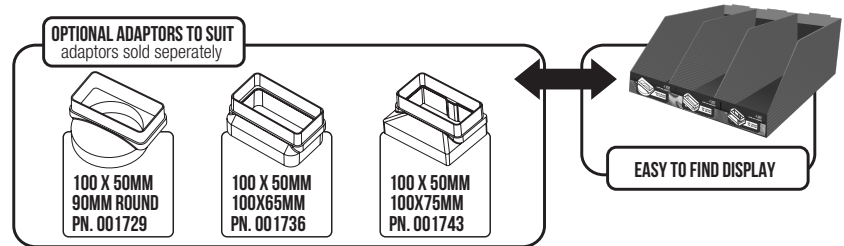
If using adaptors, fit them to the ends of the downpipe.

Slide the top of the Rain Diverter over the top section of downpipe or adaptor, pushing it up to allow the diverter to fit into the gap, then lower the Rain Diverter into position so the groove at the bottom sits on the top edge of the downpipe or adaptor. The downpipe must fit into the recess of the fittings.

Return the downpipe to position and tighten any clips or ties.

# ADAPTORS

If required, Icon Plastics has adaptors available to facilitate installation



ALWAYS CONSIDER LOCAL COUNCIL REQUIREMENTS AND HAVE  
A LICENSED PLUMBER COMPLETE INSTALLATION WHEN REQUIRED