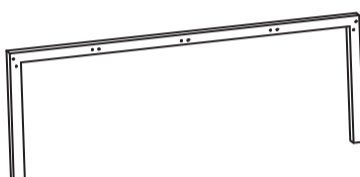
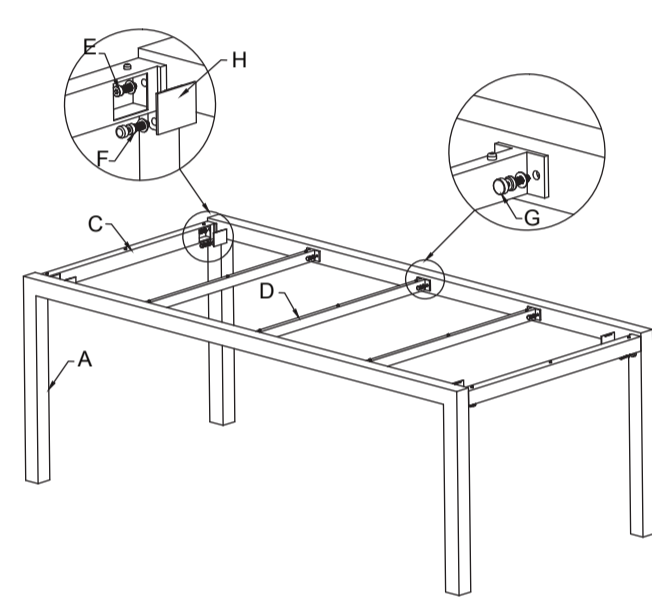
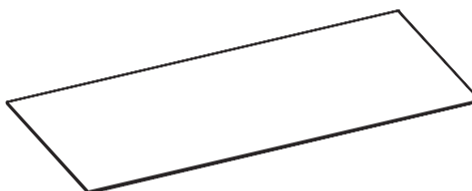
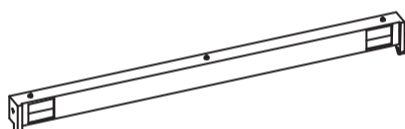
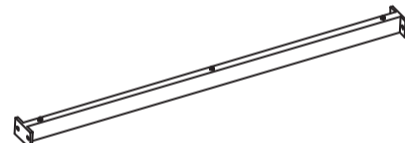
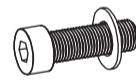
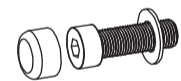
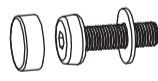
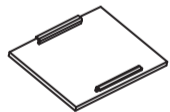


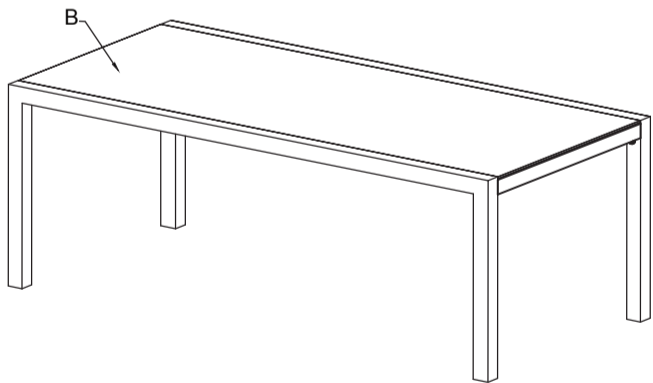


ASSEMBLY INSTRUCTIONS

Coral Bay 9 Pce Dining Setting

Item No. 3192223

Table Assembly

 <p>Aluminium table leg (A) x 2</p>		 <p>Step 1: Secure one of the Aluminium frame tubes (C) to one of the table legs (A) using bolt (E) inside the tube and bolt (F) for the outer connection. Lightly secure with Allen key (J). Repeat for the other frame tube (C) and table legs (A).</p> <p>Step 2: Connect the 3 Aluminium support tubes (D) to one of the the assembled sides of the table from step 1, using bolt (G) and Allen key (I).</p> <p>Step 3: Secure the other assembled Aluminium frame tube (C) and Table leg (A) from step 1, to the connected Aluminium support tubes (D) using bolt (G) and Allen key (I).</p> <p>Step 4: Tighten all bolts securely and place the frame cover (H) on the Aluminium frame tube (C).</p>
 <p>Glass table top (B) x 1</p>		
 <p>Aluminium frame tube (C) x 2</p>		
 <p>Aluminium support tube (D) x 3</p>		
<p>M8 x 25</p>  <p>Bolt (E) x 4</p>	<p>M8 x 25</p>  <p>Bolt (F) x 4</p>	
<p>M6 x 20</p>  <p>Bolt (G) x 12</p>	 <p>Frame Cover (H) x 4</p>	
<p>M6</p>  <p>Allen key(I) x 1</p>	<p>M8</p>  <p>Allen key(J) x 1</p>	
 <p>Step 5 : Carefully place the glass table top (B) onto the assembled frame (2 person lift recommended). Your table is now ready for use.</p>		

CARE INSTRUCTIONS:

Wipe clean using a damp cloth and allow to dry before use.

To maintain your setting in good condition we recommend the use of a furniture cover when not in use.

SIZE:210 x 297 mm



446C