



MULTISTORE

ASSEMBLY INSTRUCTION FOR EXC-750

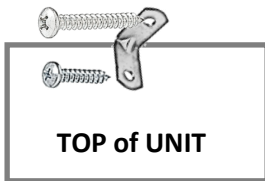
WARNING: Serious injury or death can be caused by toppling furniture

Help prevent tip-over:

- Anchor this product to a wall or other suitable surface
- Check anchors regularly
- Avoid placing TVs on top unless the TV is also anchored
- Use drawer locks to prevent children climbing



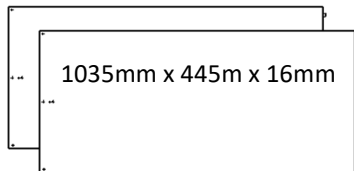
2000mm H x 750mm W x 450mm D



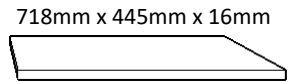
When attaching unit to wall put safety bracket in middle of unit with 5/8 pan screw then 25mm pan head screw into wall. For plasterboard without a stud it is recommended to use a plug with screw (not provided).

PARTS IDENTIFICATION LIST

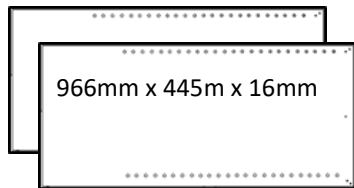
2 x TOP GABLES



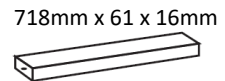
3 x FIXED SHELF



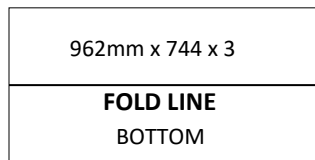
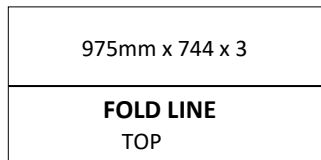
2 x BOTTOM GABLES



1 x BOTTOM KICK



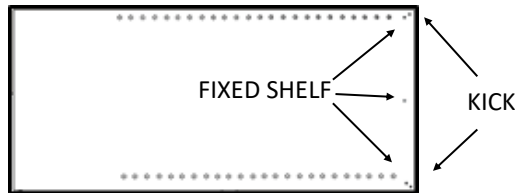
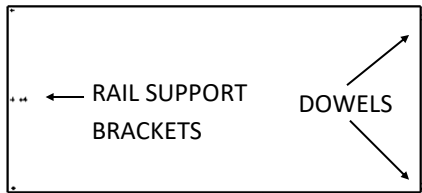
2 x BACKING BOARDS



NO	MODEL	DESCRIPTION	QTY	NO	MODEL	DESCRIPTION	QTY
1		CONFIRMAT SCREWS	20	6		5/8 PANHEAD WALL SCREWS	1
2		CAPS	20	7		25mm PANHEAD UNIT SCREWS	1
3		DOWELS	4	8		"L" SAFETY BRACKET	1
4		BACKING NAILS	75	9		HANGING RAIL 710 x 30	2
5		RAIL FLANGES	4				

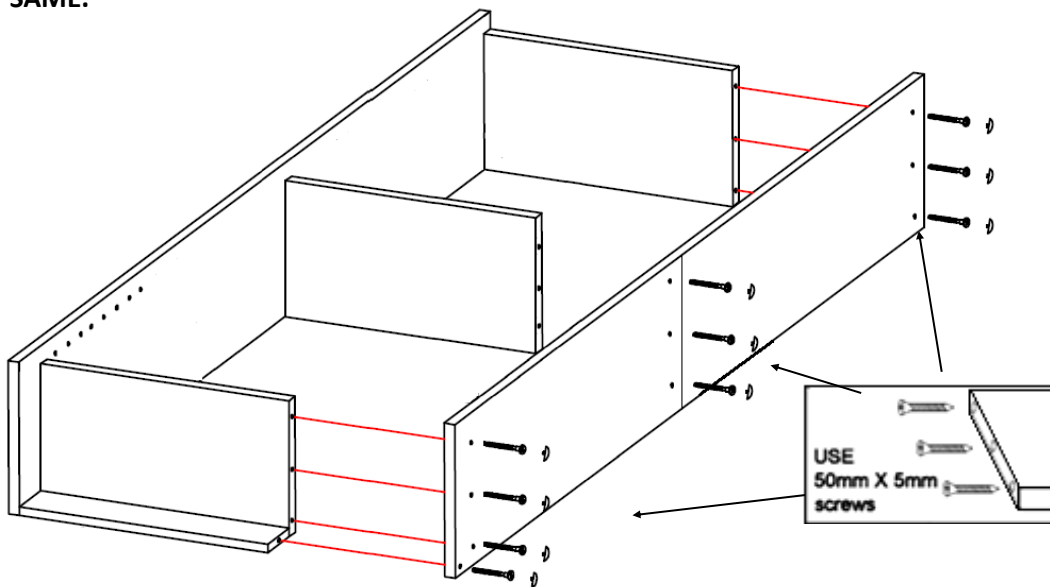


MULTISTORE

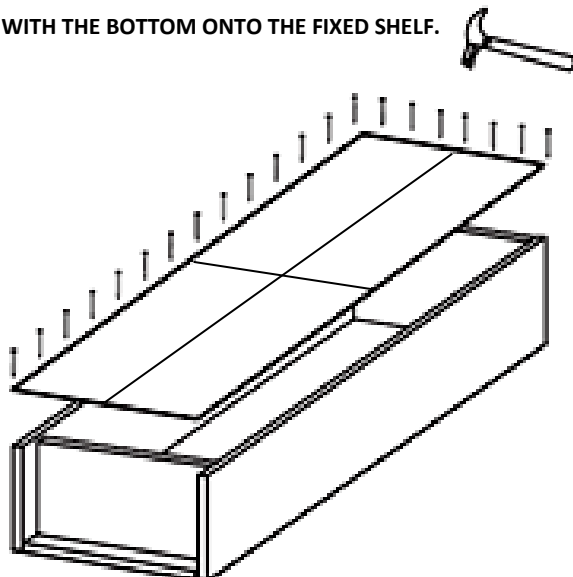


TAKE YOUR GABLES AND LAY THEM OUT FLAT, YOU SHOULD HAVE 2 X TOP & 2 X BOTTOM GABLES. USING A LITTLE WOOD GLUE (NOT SUPPLIED) IN YOUR PRE-DRILLED HOLES, INSERT YOUR WOOD DOWELS INTO 2 OF THE HOLES AND PUSH YOUR TOP INTO YOUR BOTTOM GABLE.

NEXT STEP: MAKE SURE YOUR EDGED FRONTS ARE FACING DOWN TO THE FLOOR. ALIGN YOUR SHELVES AND KICK TO THE LEFT-HAND GABLE, SCREW THEM INTO PLACE ATTACH YOUR RIGHT-HAND DO THE SAME.



FOLD OUT BOTH TOP AND BOTTOM BACKS, PROCEED TO NAIL THEM INTO POSITION MAKING SURE YOU ARE SQUARE. THE TOP BACK IS LONGER SO IT CAN BE NAILED ALONG WITH THE BOTTOM ONTO THE FIXED SHELF.



YOU WILL NEED 2 X 5/8 x 6 WOOD SCREWS FOR THE NEXT STEP.

TAP INTO POSITION YOUR FLANGES INTO THE HOLES PROVIDED IF YOU WISH YOU CAN SCREW IN 1 SCREW INTO THE MIDDLE OF THE FLANGE AND SLIDE YOUR HANGING RAIL.

