

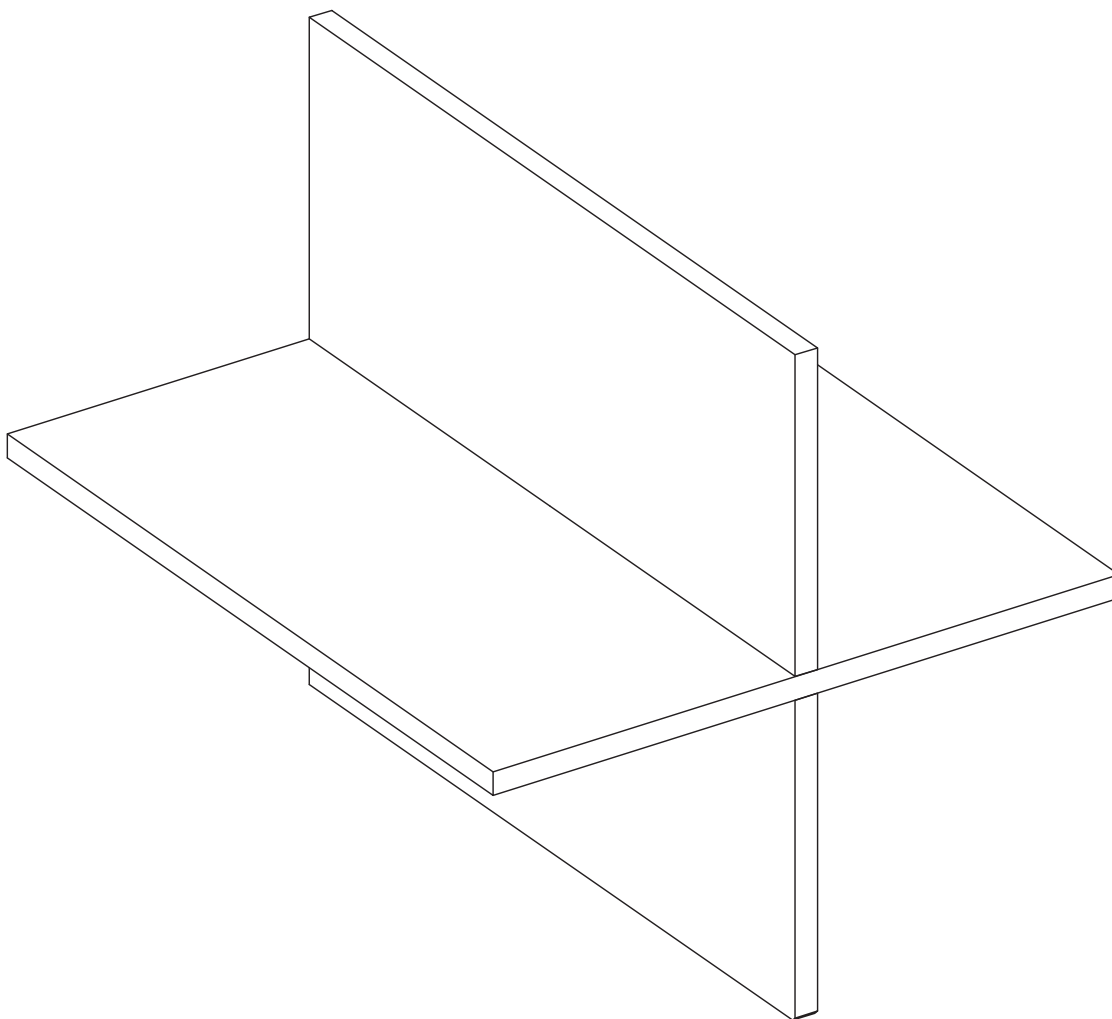
**flexi**<sup>TM</sup>  
**STORAGE** | **CLEVER**  
**CUBE**

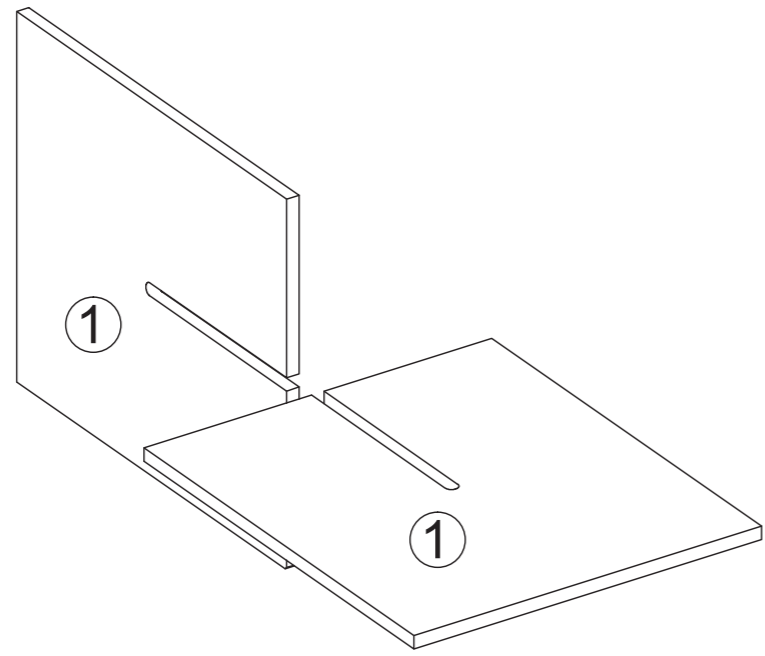
# DIVIDER INSERT

334mm H | 334mm W | 385mm D

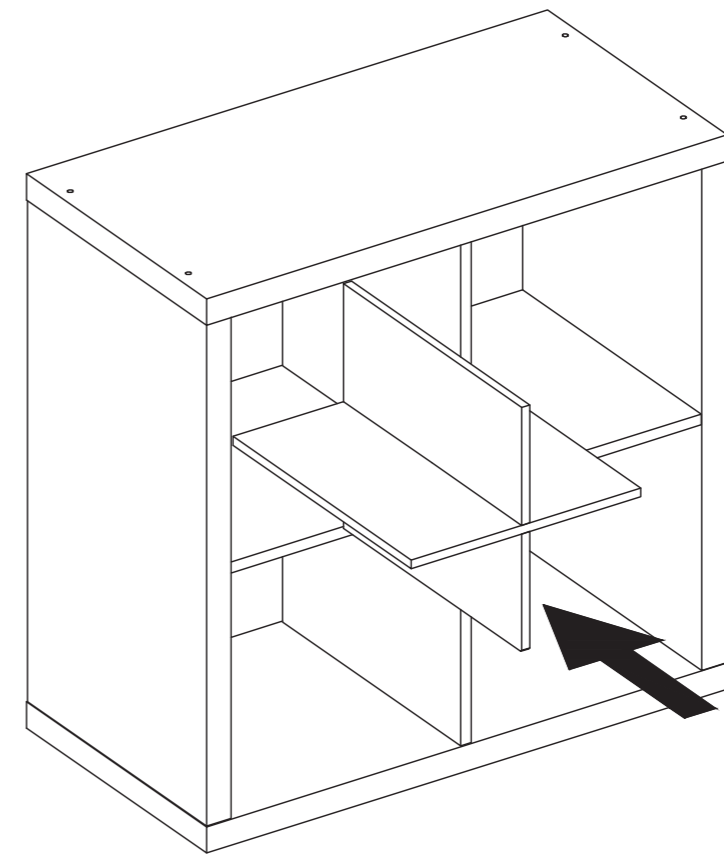
ARTICLE NUMBER: 333939  
01823

ARTICLE NUMBER: 333940  
01824

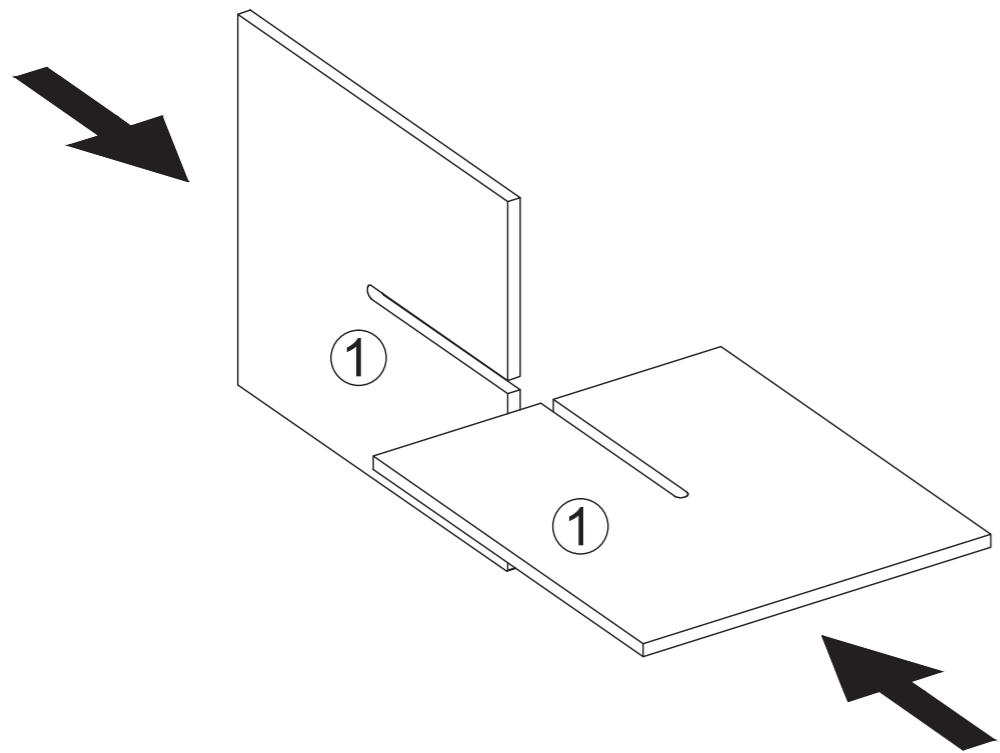




Step 2



Step 1



Step 3

