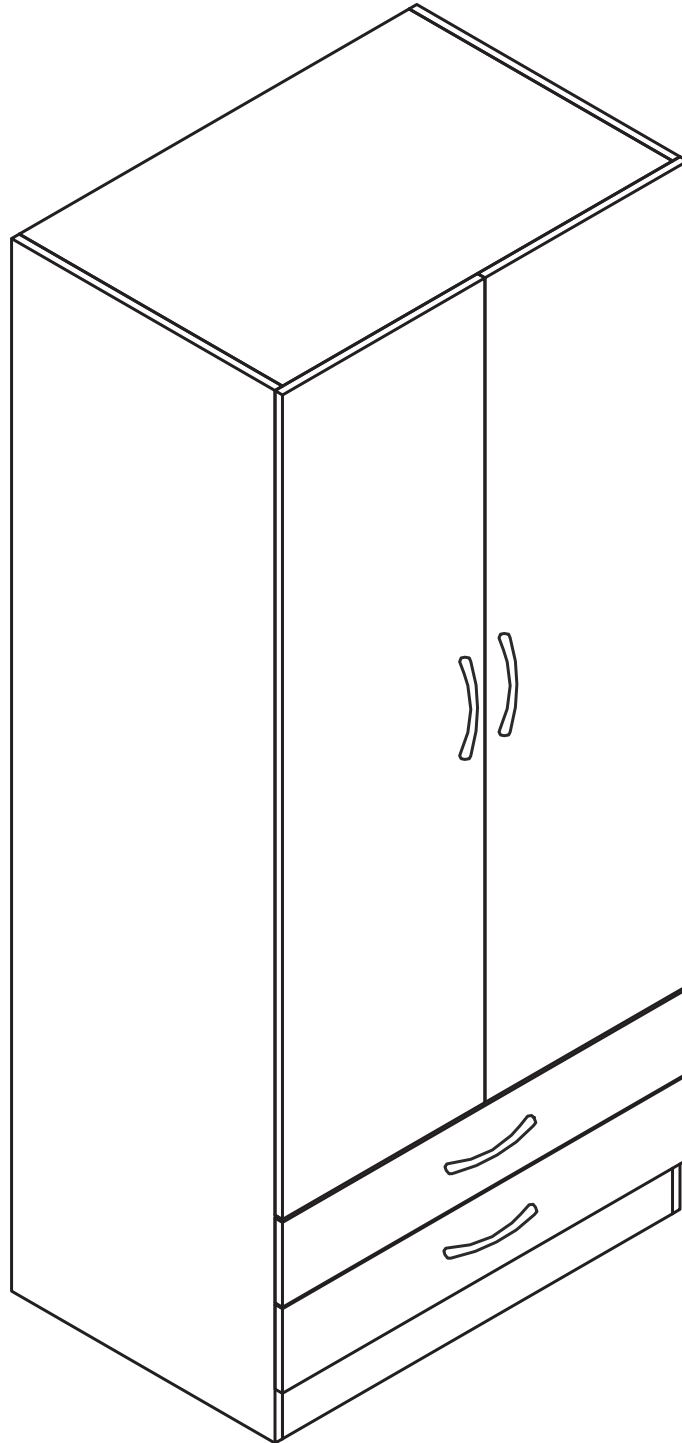
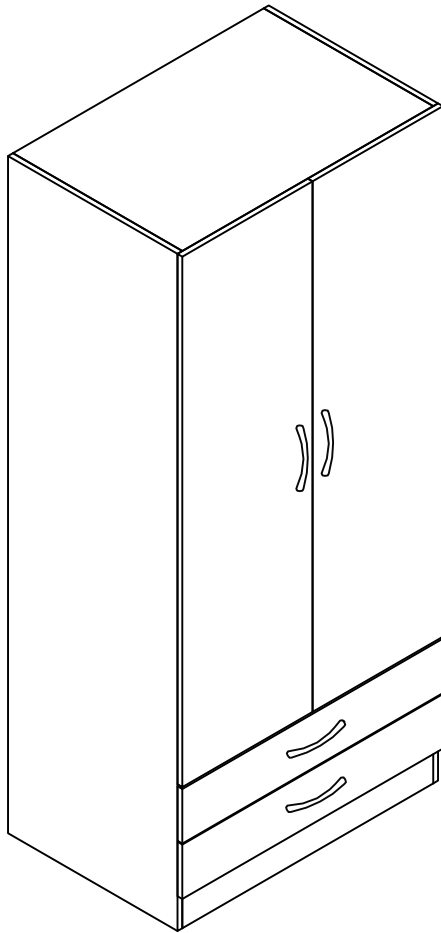


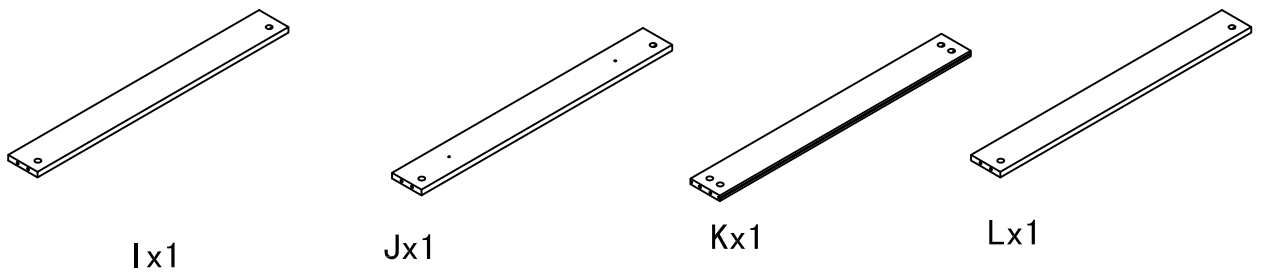
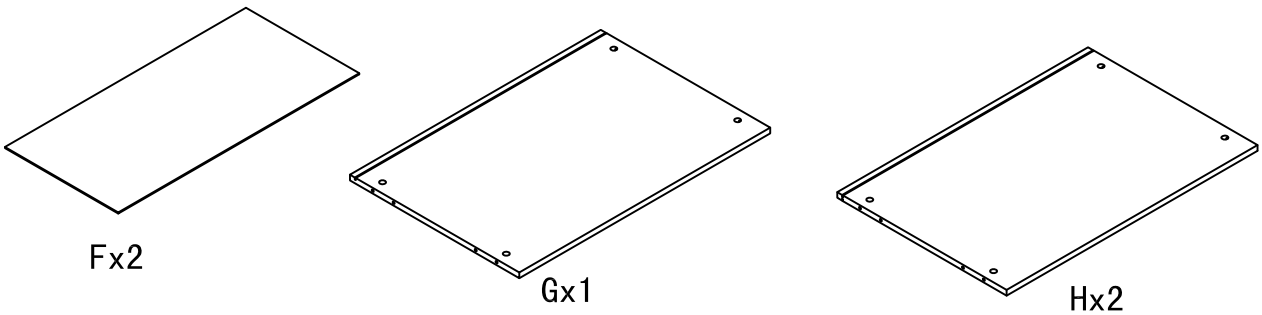
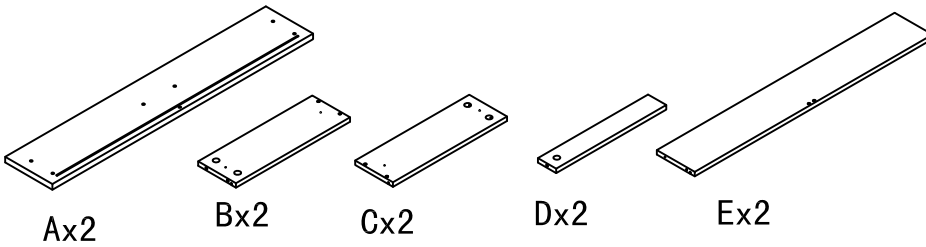


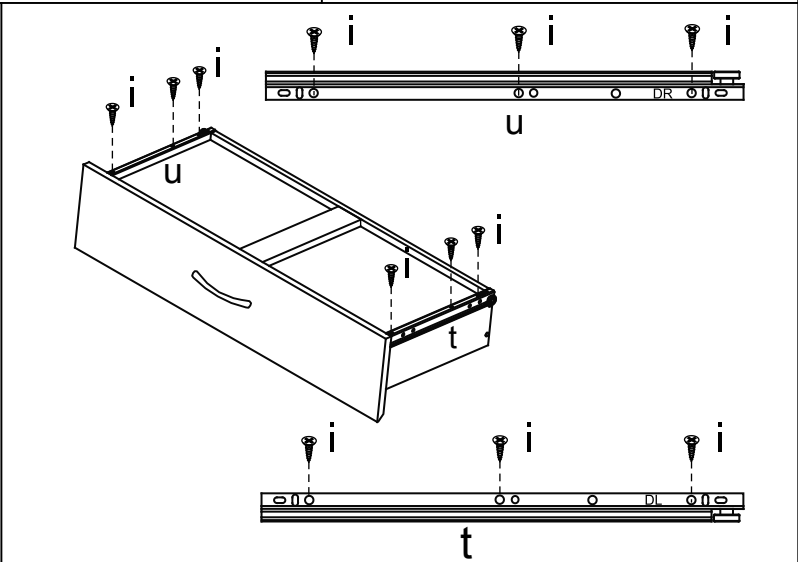
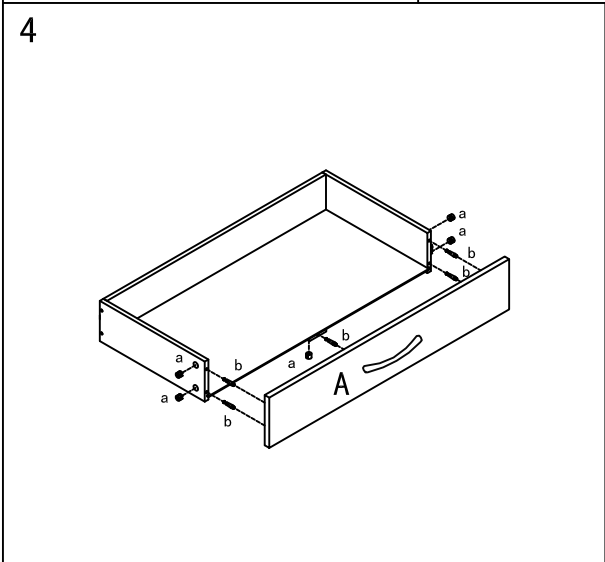
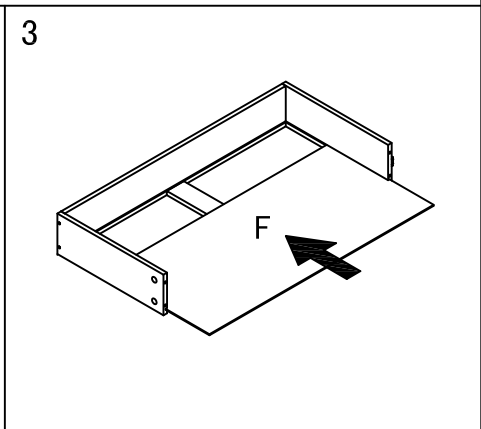
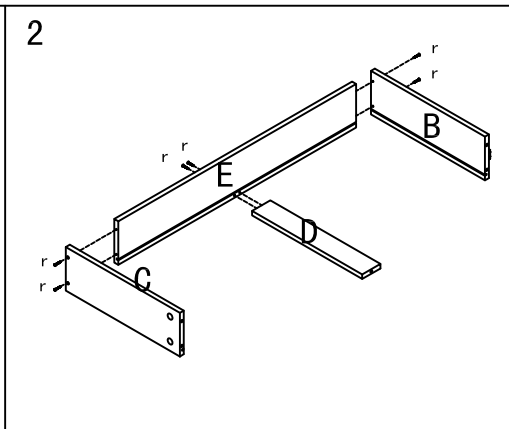
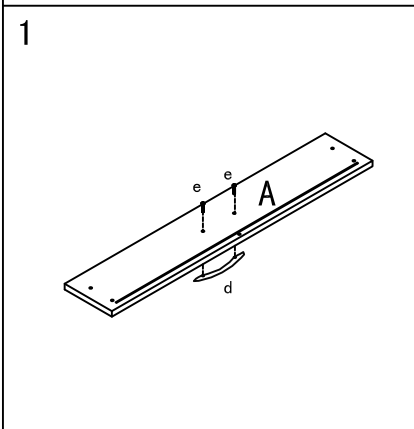
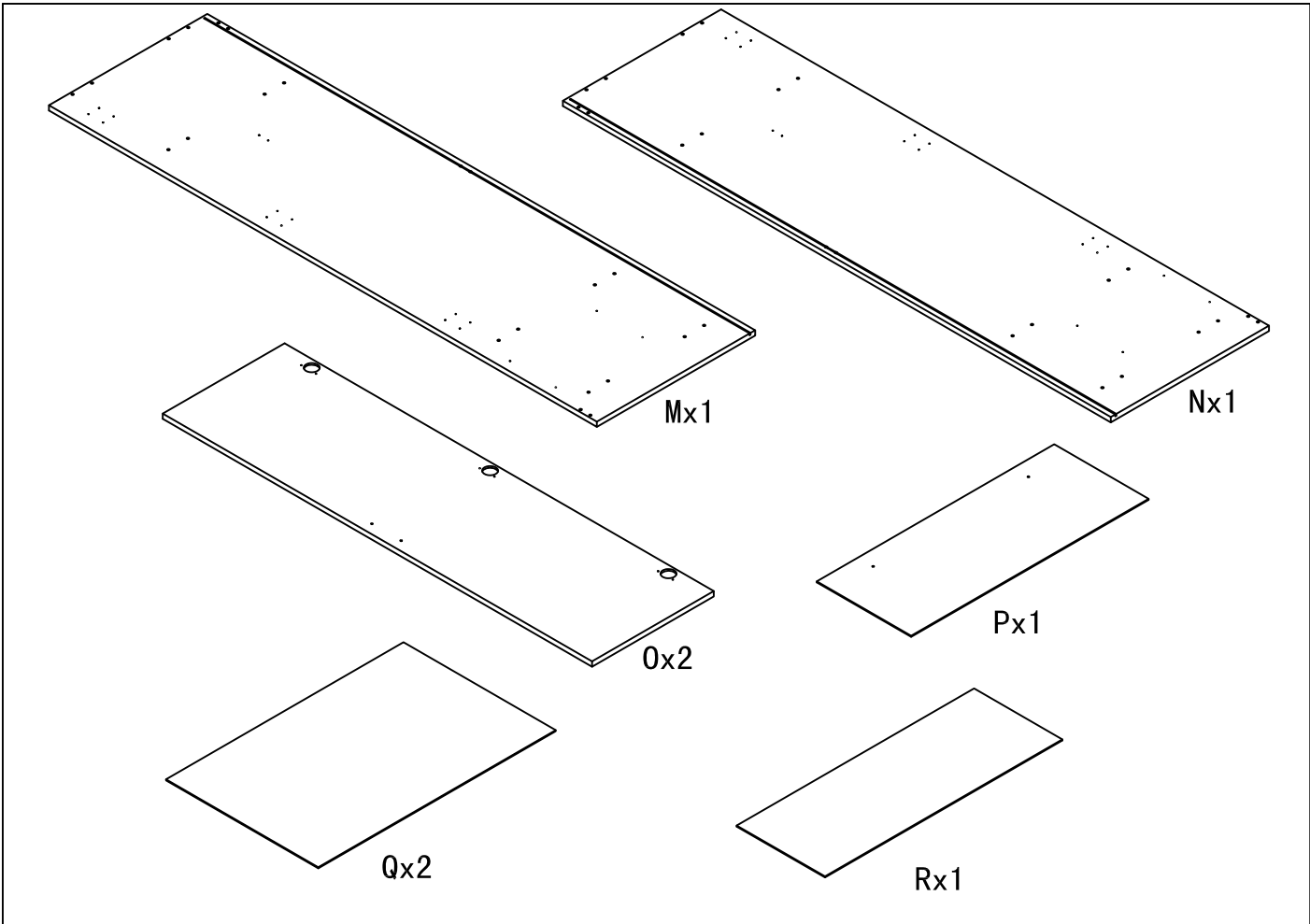
2 Door 2 Drawer Wardrobe



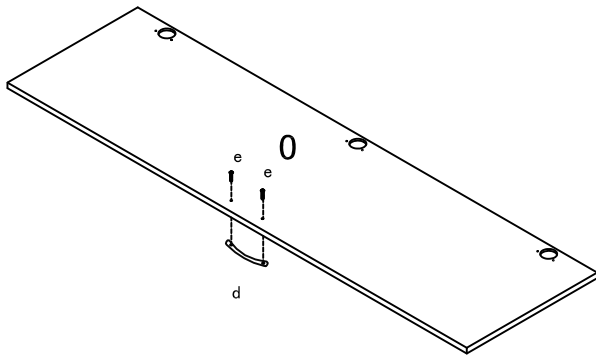


a		32
b		32
c		18
d		4
e		8
f		1
g		2
h		2
i		24
j		6
k		40
l		2
n		8
o		8
p		2
q		2
r		12
s		4
t		2
u		2

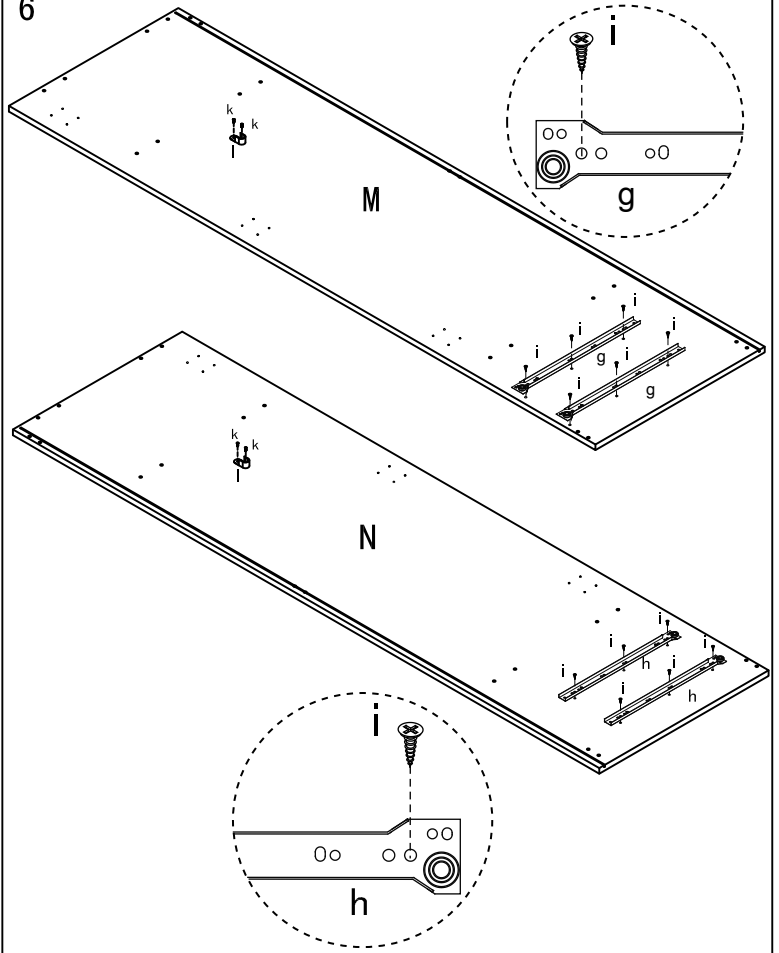




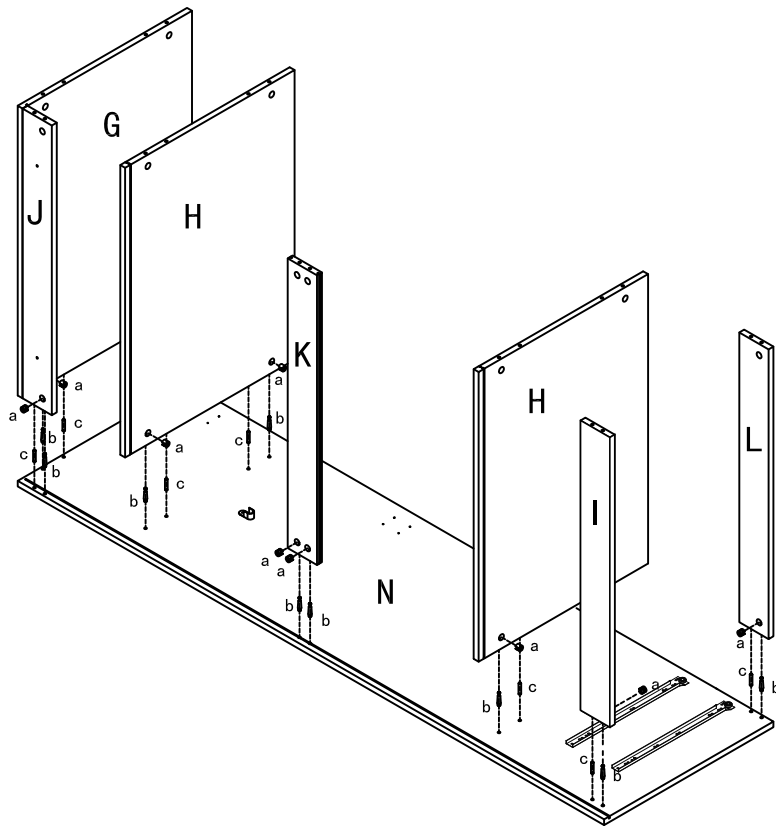
5



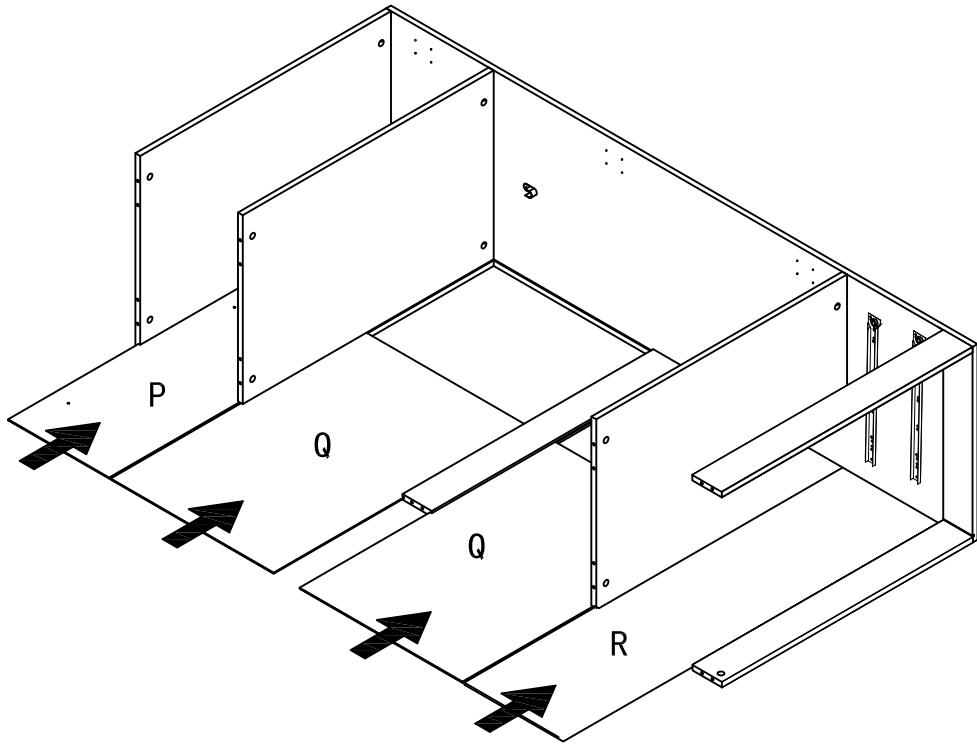
6



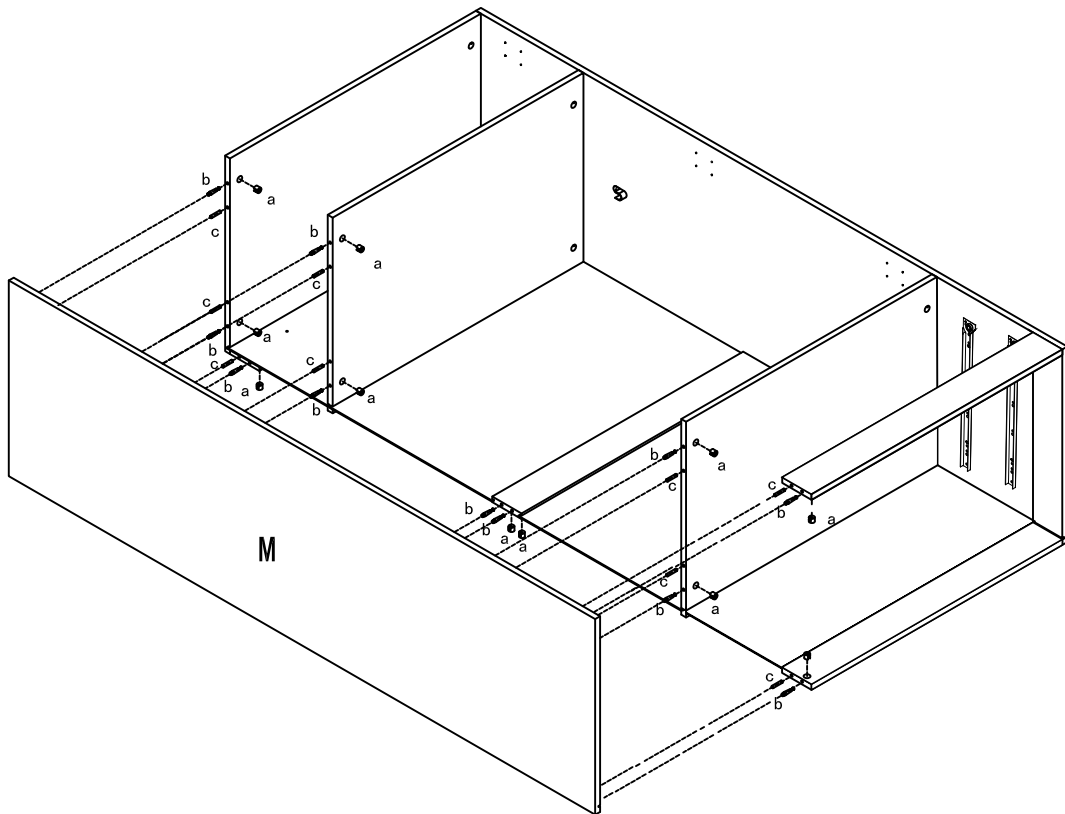
7



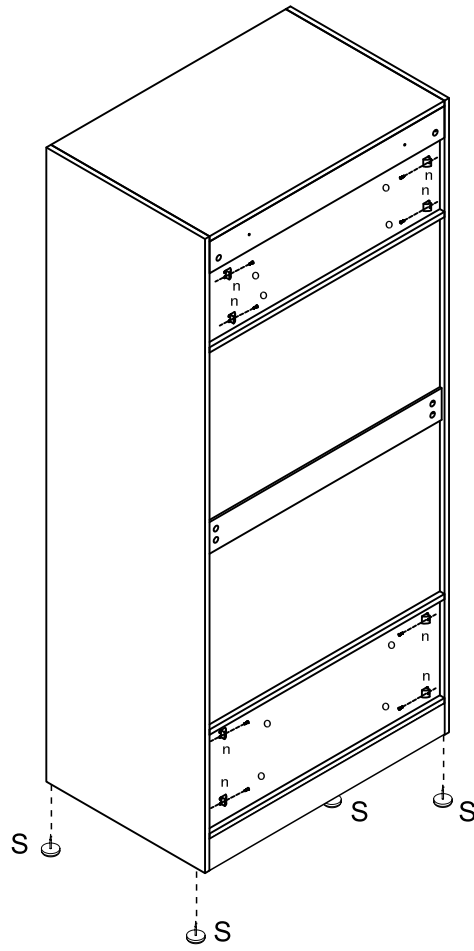
8



9



10



11

