

# AZZURRA

BATHROOM FURNITURE



## BURANO INWALL SLM BATH OR SHOWER



### Description :

Bath or shower mixer with concealed face plate seal

**Model No:** 3336880229

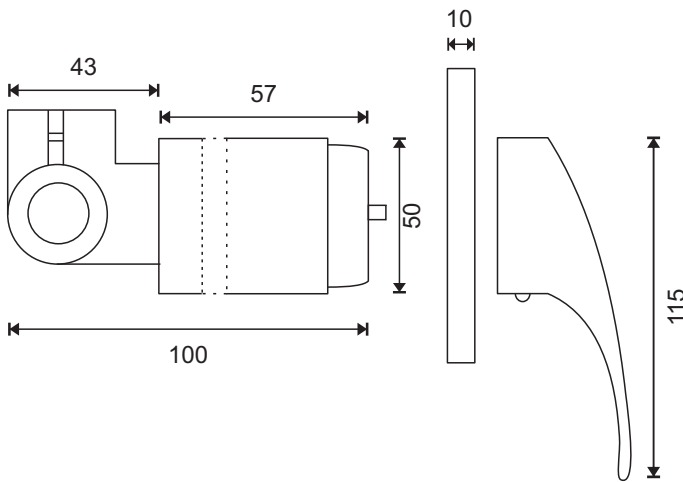
**Cartridge:** Kerox Ceramic Disc 40mm

**Finish:** Polished chrome

**Weight:** 1.0kg

**Warranty:** Refer to Website

Catalogue & technical specifications available at [www.azzurra.com.au](http://www.azzurra.com.au)



Fixing lugs for ease of installation

