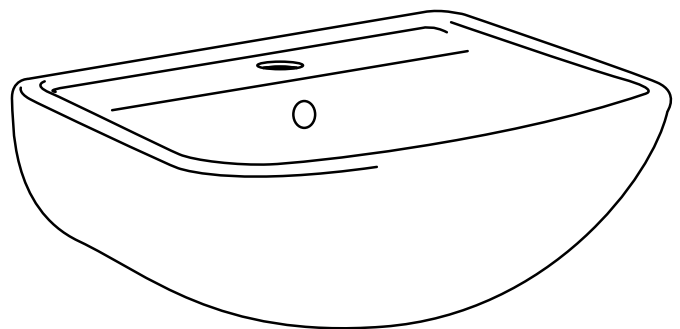
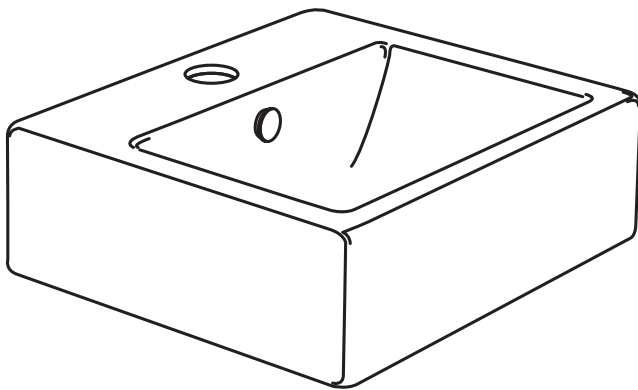
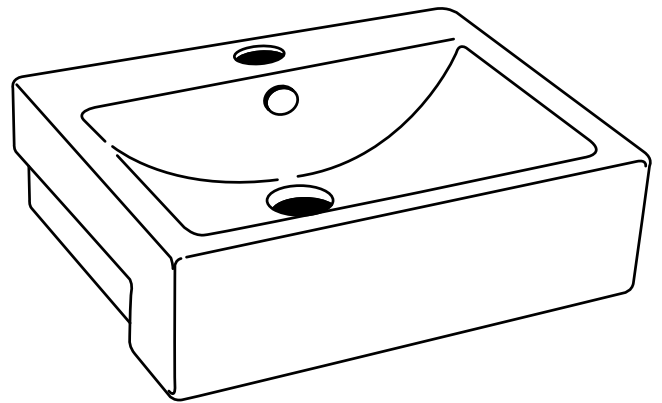
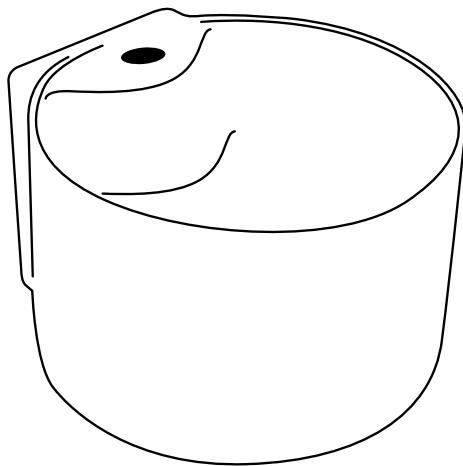


AZZURRA

INSTALLATION INSTRUCTIONS

BASINS - Counter Top, Inset, Semi Recessed, Wall Basins, Under Counter & Cirque Wall Basin



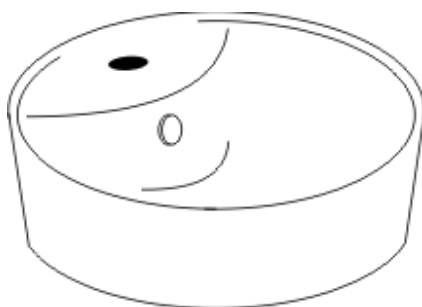
Installation is to be in accordance with AS/NZS 3500 as required by AS1976

VERSION 3.0 2013

FOREWORD

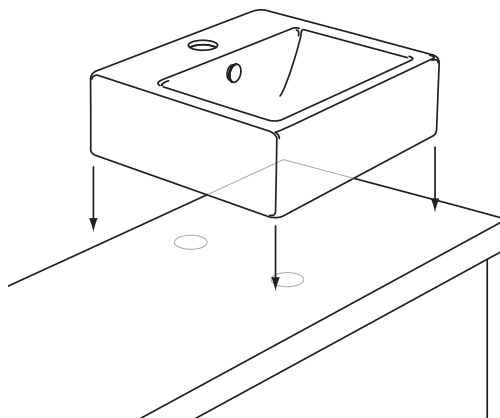
- Please ensure these installation instructions are current and for the product they are intended for.
- These instructions are a guide only and all Azzurra products must be installed by a trade qualified trades person.
- Ensure that the correct tools are used in each step of these procedures.
- For further information and or product support contact Azzurra Imports Pty Ltd.

Counter Top Basins



1. Prior to installation remove the basin from carton and inspect for transport damage.
2. Use the basin as a guide to mark the bench top for the tap and waste outlet positions. Cut out the required shape as marked (allow room for the plug & waste back nut, see also tapware installation instructions).
3. Install waste to the basin.
4. Install the tapware to the basin, referring to the tapware installation instructions.
5. Place the basin in position and fix using neutral cure, mildew resistant, sanitary grade silicone. Clean away excess silicone from around the basin.

*Use of epoxy two part adhesives will void warranty.
6. Connect the tapware to the hot and cold water service and the plug & waste to the waste pipe via an approved trap.
7. If installing into granite or reconstituted stone bench tops it is recommended that the basin be on site as normal manufacturing tolerances of vitreous china basins will cause slight variations in the actual product size and dimensions.



Semi Recessed, Under Counter & Inset Basins

1. Prior to installation remove the basin from carton and inspect for transport damage.
2. Using the supplied template mark outline and cut as required.
3. Install the waste to the basin.
4. Install the tapware to the basin, referring to the tapware installation instructions.

N.B: For Under Counter basins, tapware is not fitted to the basin.

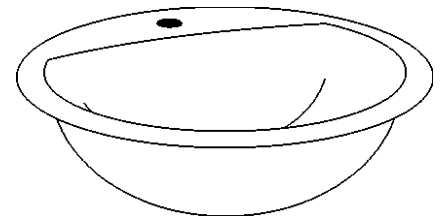
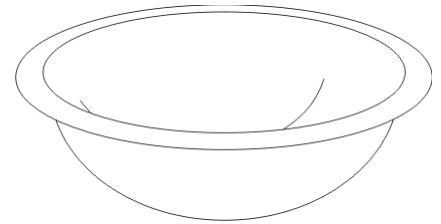
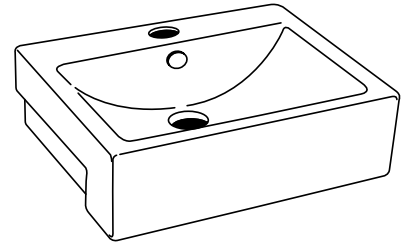
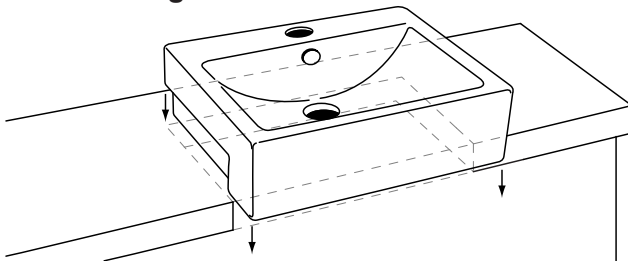
5. Place the basin in position and fix using neutral cure, mildew resistant, sanitary grade silicone. Clean away excess silicone from around the basin.

*Use of epoxy two part adhesives will void warranty

N.B: For Under Counter basins use brackets supplied to secure in position to the underside of the bench top.

6. Connect the tapware to the hot and cold water service and the plug & waste to the waste pipe via an approved trap.
7. If installing into granite or reconstituted stone bench tops it is recommended that the basin be on site as normal manufacturing tolerances of vitreous china basins will cause slight variations in the actual product size and dimensions.

N.B: For Under Counter basins use an approved suitable bench top material to prevent moisture damage.



Wall Hung Basins

NB: Follow these steps to install the wall basin at a recommend height of 850mm from the finished floor level.

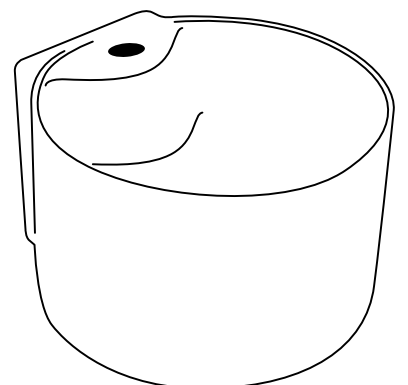
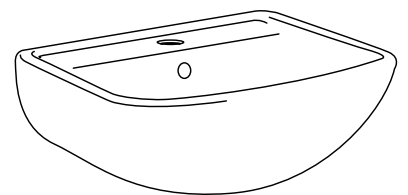
1. Remove the basin from the carton and inspect for any consequential transport damage. If the integrity of the basin has been compromised do not proceed with the installation.
2. Find the correct location for the basin. Using a straight edge, draw a vertical centre line between 780mm and 830mm from the finished floor.
3. Draw a level horizontal line for each model as follows:

NB: Verify the measurements for each model against the product on site while doing the next step.

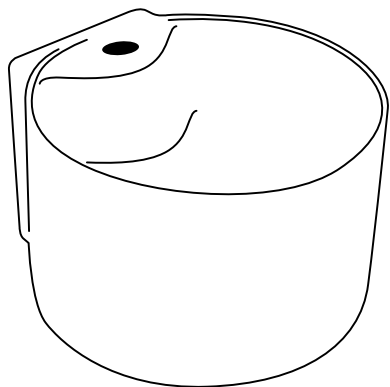
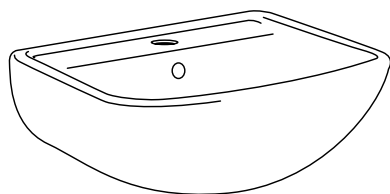
OK0325 Cirque wall basin at 815mm and 78mm either side of the centre line representing the correct screw fixing position. - Go to step 6.

S4229 Ovale wall basin at 805mm and 110mm either side of the centre line representing the correct screw fixing position – Go to step 4.

RF6018 wall basin at 805mm and 165mm either side of the centre line representing the correct screw fixing position. – Go to step 4



Wall Hung Basins cont.



4. Determine which fixing method best suits the wall construction for models S4229 & RF6018 as follow:

Masonry Wall installations, drill 2x10 mm holes through the tiles and into the wall behind of adequate depth. When using the optional BS01 wall basin fixing kit (Not Provided) Insert the wall plug and screw in the double ended fixing bolt without the nut.

NB: When fixing into a timber stud wall it is essential that a noggin of adequate size is allowed within the frame.

Timber Framed Wall installations, drill 2x10 mm holes through the tile only and then 2x6 mm holes into the timber behind. When using the optional BS01 wall basin fixing kit (Not provided) screw in the double ended fixing bolt without the nut into the timber noggin.

5. If using with the optional BS01 fixing kit, place the basin into position (Protruding thread might need to be cut to correct length if required). Secure to the wall using the plastic spacer washer and nut supplied with the kit. – Go to step 11.
6. Determine which fixing method best suits the wall construction for model OK0325 as follow:

Masonry Wall installations, (Verify fixing bolt size provided prior to drilling holes) drill 2x10 mm holes through the tiles and into the wall behind of adequate depth. Insert the wall plug and screw in the bolts provided. Fit the top two bolts, leaving a 10mm space between the screw head (thread side) and wall surface.

NB: When fixing into a timber stud wall it is essential that a noggin of adequate size is allowed within the frame.

Timber Framed Wall installations, drill 2x10 mm holes through the tile only and then 2x6 mm holes into the timber behind. Screw in 2 coach screws (not provided) of adequate size. Fit the top two bolts, leaving a 10mm space between the screw head (thread side) and wall surface.

7. Drop the basin onto the top bolts via the key holes provided on the back of the basin, check for level and mark the bottom hole.
8. Remove the basin and drill the bottom hole.

Masonry wall installations use a dyna bolt of adequate size and tension until firm; remove the nut and washer prior to mounting the basin.

Timber framed wall installations, use a coach screw of adequate size, fit the screw and then remove prior to mounting the basin.

9. Drop the basin over the two top bolts (see step 6).

N.B. Masonry wall fixing will require you to tilt the basin sufficiently to locate the bottom dyna bolt through the hole.

10. Using a spirit level align the basin and secure in position using the bottom bolt/screw. (Do not over tighten)
11. Connect the tapware to the hot and cold water service and the plug & waste to the outlet pipe via an approved trap.
12. Use a neutral cure, mildew resistant, sanitary grade silicone. Clean away excess silicone from around the basin.