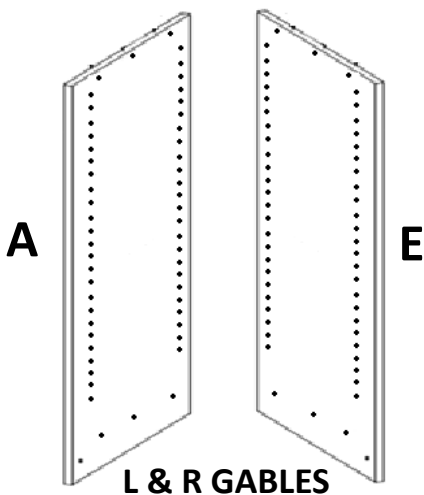
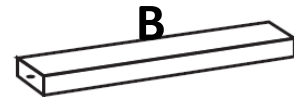


ASSEMBLY INSTRUCTION FOR MAXI & MSM 400J3



1 x Left-hand Gable
1 x Right-hand Gable

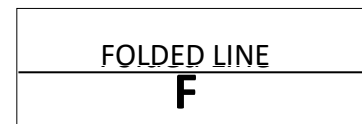
1 x BOTTOM KICK






2 x FIXED SHELVES






1 x FOLDED BACK

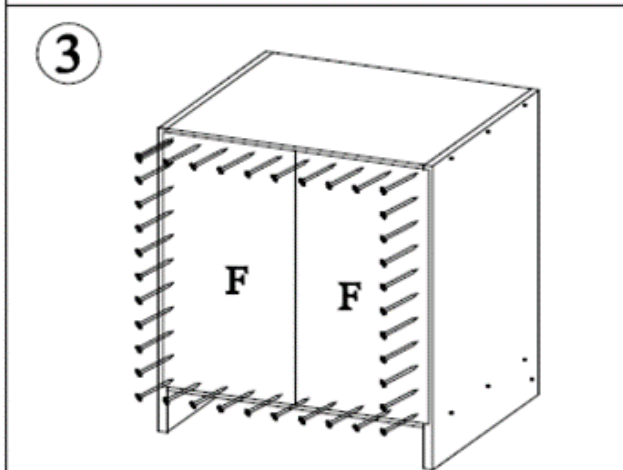
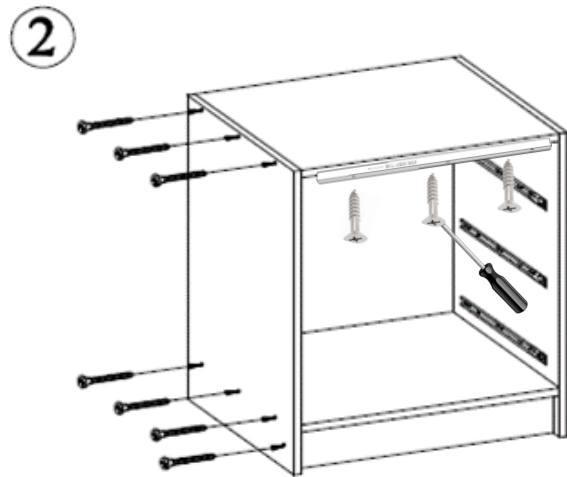
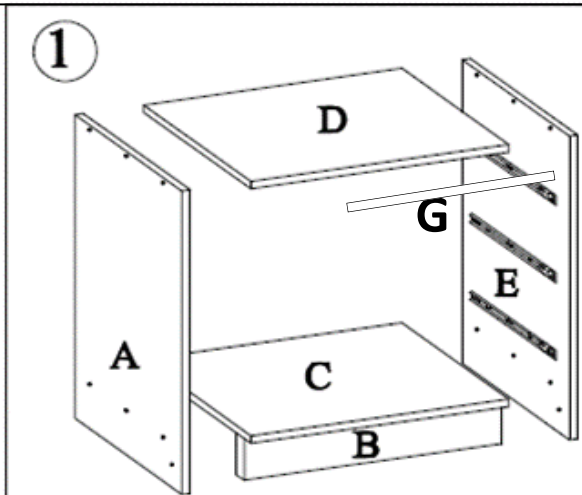


HARDWARE LIST

NO	MODEL	DESCRIPTION	QTY
1		CONFIRMAT SCREWS	14
2		UNIT BACKING NAILS	45
3		CAPS	14

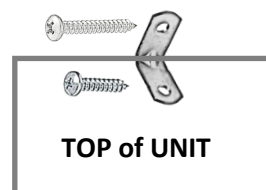
NO	MODEL	DESCRIPTION	QTY
4		WALL BRACKET SCREW	1
5		UNIT BRACKET SCREW	1
6		BRACKET	1

ASSEMBLY INSTRUCTION FOR MAXI & MSM 400J3



FOLD OUT YOUR BACK AND PROCEED TO NAIL ON THE BACK KEEPING SQUARE AT ALL TIMES.

FIRST STEP:- UNPACKED YOUR CARTON PART 1 OF 2, LAY A,B,D,C,E ON FLOOR & RETRIEVE THE (F) INFILL & SCREWS FROM PART 2, ATTACH THE INFILL TO THE UNDER-SIDE OF THE TOP FIXED SHELF AS DEMONSTRATED. STAND LEFT-HAND GABLE FACING DOWN ON THE EDGED FRONT, USING THE 30mm 8 GAUGE CONFIRMAT SCREWS PROVIDED YOU CAN NOW SCREW YOUR KICK FIRST, BOTTOM SHELF NEXT AND THEN TOP SHELF WITH INFILL ALLREADY ATTACHED INTO THE LEFT-HAND GABLE. WHEN FINISHED DO THE SAME TO THE RIGHT-HAND GABLE. LEAVE YOUR CARCASS FACING DOWN AND GO TO ..STEP 3.



When attaching unit to wall put safety bracket in middle of unit with 5/8 pan screw then 25mm pan head screw into wall. For plasterboard without a stud it is recommended to use a plug with screw (not provided).



WARNING:

Serious injury or death can be caused by toppling furniture

Help prevent tip-over:

- Anchor this product to a wall or other suitable surface
- Check anchors regularly
- Avoid placing TVs on top unless the TV is also anchored
- Use drawer locks to prevent children climbing