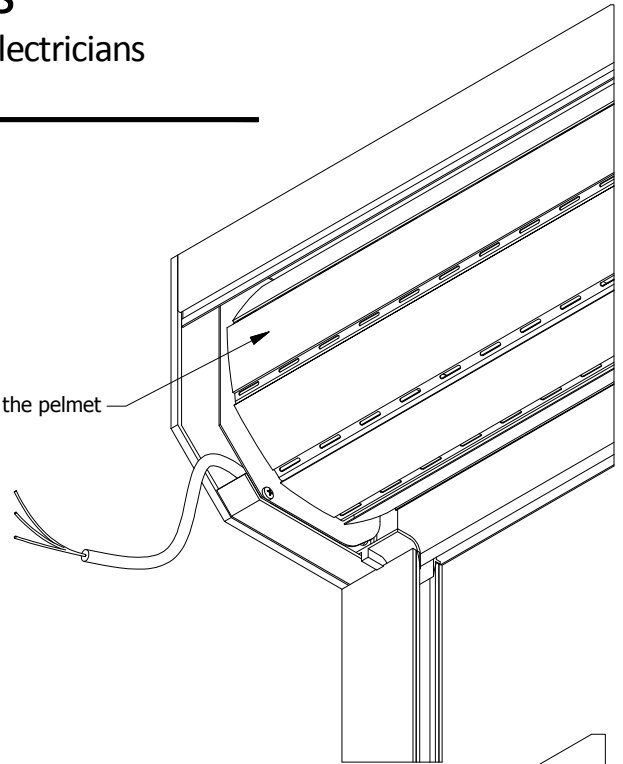


1: Before wiring the motor, roller shutter must be unrolled to access the protective plate.

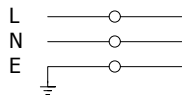
Shutter rolled inside the pelmet



2: Connect the motor temporarily according to the included wiring instructions and operate the motor to open the roller shutter.

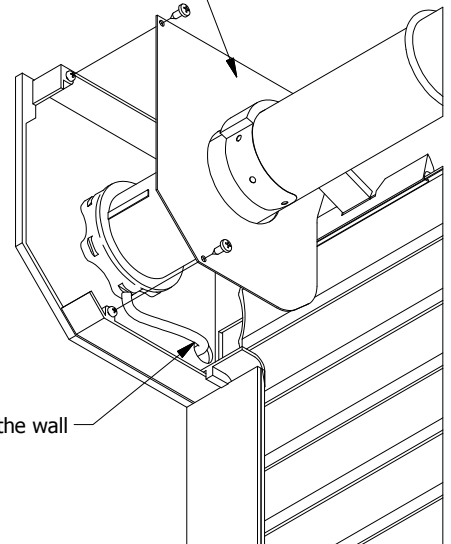
protective plate

L  
N  
E



3: Disconnect the motor and unscrew the protective plate. Slide the protective plate over the axel and feed the wire into wall.

Unscrew and slide the protective plate

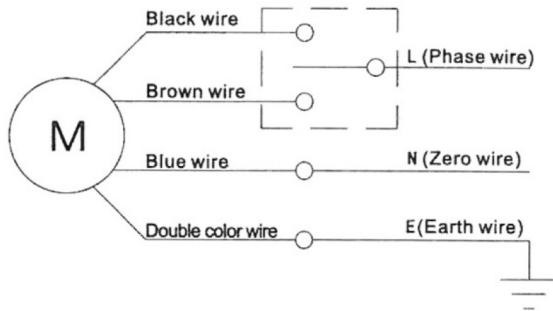


Feed the wire into the wall

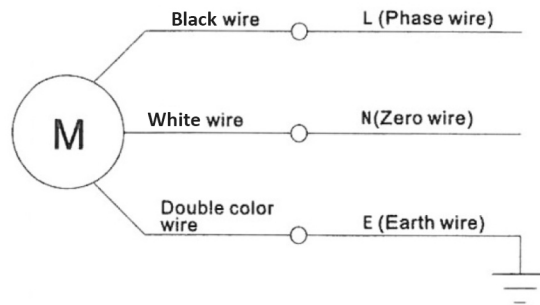
Use the provided instructions to wire motor and put the protective plate back in place when done.

## 1: WIRE SPLICE

### ■ 230V/50Hz(120V/60Hz)(0.6A) WIRING DIAGRAM: (Outside receiver)

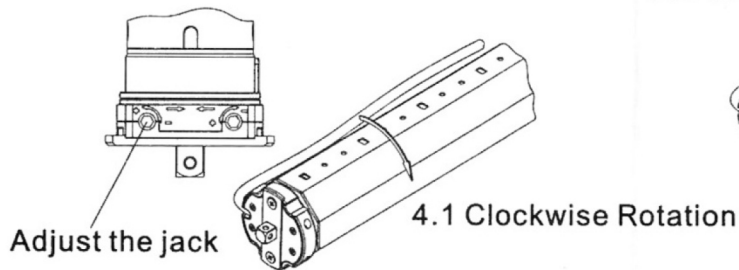


### ■ 230V/50Hz(120V/60Hz)(0.6A) WIRING DIAGRAM: (Inside receiver)

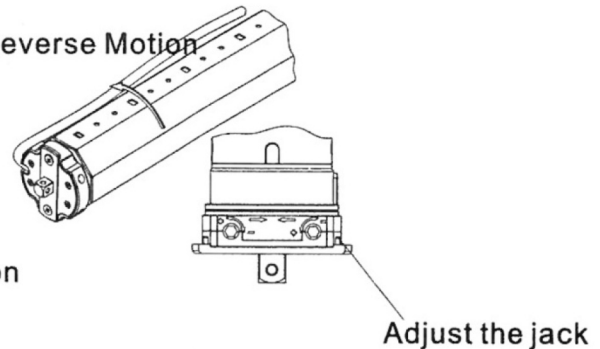


## 2: LIMIT SETTING

### ■ 35 45 59 LIMIT SETTING



### 4.2 Reverse Motion



(←: →) is the rolling direction of motor, Turn on the power supply, see the running way of drive sleeve, if the running way as same as the arrow(→), insert the control tool into the adjustment hole to adjust direction as the arrow. “+” means add, “-” means decrease. Contrarily the other adjustment hole could according to the need to control the running.

## ■ LIMIT SETTING

Step1. Make sure the limit switches to be on off-working status before installing roller door(Pls refer to illustration 1);

Step2. After the roller door well installed, turn the corresponding limit switch ( Limit Switch “A” for counter clockwise turning control, and Limit Switch B for -clockwise turning control ) to working status (refer to illustration 2) immediately once the door rolls down or rolls up to the position you expect, by this way the limit switch for rolling down or rolling up has been set sucessfully.

Step3. Repeat Step2 to make sure the limit switch setting is workable.

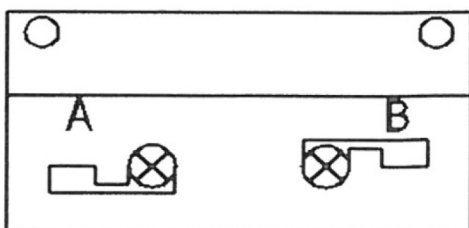


illustration 2

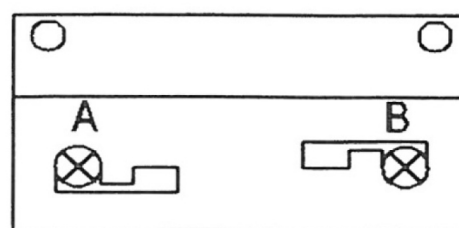


illustration 1