

RYOBI®

ORIGINAL INSTRUCTIONS

Compact Hedge Trimmer and Grass Shear

RGS1822Li25
OGS1820



Important!

It is essential that you read the instructions in this manual before assembling, operating, and maintaining the product.

Subject to technical modification.

Safety, performance, and dependability have been given top priority in the design of your compact hedge trimmer and grass shear.

INTENDED USE

The compact hedge trimmer and grass shear is only intended for use outdoors in a well-ventilated area.

The product is designed for home or domestic use.

When used with a shear attachment, the product is intended for light trimming of grass and weeds.

When used with a compact hedge trimmer attachment, the product is intended for light trimming of shrubs, hedges, and bushes.

Do not use the product for any other purpose.

GENERAL POWER TOOL SAFETY WARNINGS

⚠ WARNING

Read all safety warnings and all instructions. Failure to follow the warnings and instructions may result in electric shock, fire and/or serious injury.

Save all warnings and instruction for future reference.

The term "power tool" in the warnings refers to your mains-operated (corded) power tool or battery-operated (cordless) power tool.

Work area safety

- **Keep work area clean and well lit.** Cluttered or dark areas invite accidents.
- **Do not operate power tools in explosive atmospheres, such as in the presence of flammable liquids, gases or dust.** Power tools create sparks which may ignite the dust or fumes.
- **Keep children and bystanders away while operating a power tool.** Distractions can cause you to lose control.

Electrical safety

- **Power tool plugs must match the outlet. Never modify the plug in any way. Do not use any adapter plugs with earthed (grounded) power tools.** Unmodified plugs and matching outlets will reduce risk of electric shock.
- **Avoid body contact with earthed or grounded surfaces, such as pipes, radiators, ranges and refrigerators.** There is an increased risk of electric shock if your body is earthed or grounded.
- **Do not expose power tools to rain or wet conditions.** Water entering a power tool will increase the risk of electric shock.
- **Do not abuse the cord. Never use the cord for carrying, pulling or unplugging the power tool. Keep cord away from heat, oil, sharp edges or moving parts.** Damaged or entangled cords increase the risk of electric shock.
- **When operating a power tool outdoors, use an extension cord suitable for outdoor use.** Use of a

cord suitable for outdoor use reduces the risk of electric shock.

- **If operating a power tool in a damp location is unavoidable, use a residual current device (RCD) protected supply.** Use of an RCD reduces the risk of electric shock.

Personal safety

- **Stay alert, watch what you are doing and use common sense when operating a power tool. Do not use a power tool while you are tired or under the influence of drugs, alcohol or medication.** A moment of inattention while operating power tools may result in serious personal injury.
- **Use personal protective equipment. Always wear eye protection.** Protective equipment such as dust mask, non-skid safety shoes, hard hat, or hearing protection used for appropriate conditions will reduce personal injury.
- **Prevent unintentional starting. Ensure the switch is in the off-position before connecting to power source and/or battery pack, picking up or carrying the tool.** Carrying power tools with your finger on the switch or energising power tools that have the switch on invites accidents.
- **Remove any adjusting key or wrench before turning the power tool on.** A wrench or a key left attached to a rotating part of the power tool may result in personal injury.
- **Do not overreach. Keep proper footing and balance at all times.** This enables better control of the power in unexpected situations.
- **Dress properly. Do not wear loose clothing or jewellery. Keep your hair, clothing and gloves away from moving parts.** Loose clothes, jewellery or long hair can be caught in moving parts.
- **If devices are provided for the connection of dust extraction and collection facilities, ensure these are connected and properly used.** Use of dust collection can reduce dust-related hazards.

Power tool use and care

- **Do not force the power tool. Use the correct power tool for your application.** The correct power tool will do the job better and safer at the rate for which it was designed.
- **Do not use the power tool if the switch does not turn it on and off.** Any power tool that cannot be controlled with switch is dangerous and must be repaired.
- **Disconnect the plug from the power source and/or the battery pack from the power tool before making any adjustments, changing accessories, or storing power tools.** Such preventive safety measures reduce the risk of starting the power tool accidentally.
- **Store idle power tools out of the reach of children and do not allow persons unfamiliar with the power tool or these instructions to operate the power tool.** Power tools are dangerous in the hands of untrained users.
- **Maintain power tools. Check for misalignment or**

binding of moving parts, breakage of parts and any other condition that may affect the power tool's operation. If damaged, have the power tool repaired before use. Many accidents are caused by poorly maintained power tools.

- **Keep cutting tools sharp and clean.** Properly maintained cutting tools with sharp cutting edges are less likely to bind and are easier to control.
- **Use the power tool, accessories and tool bits etc. in accordance with these instructions, taking into account the working conditions and the work to be performed.** Use of the power tool for operations different from those intended could result in a hazardous situation.

Battery tool use and care

- **Recharge only with the charger specified by the manufacturer.** A charger that is suitable for one type of battery pack may create a risk of fire when used with another battery pack.
- **Use power tools only with specifically designated battery packs.** Use of any other battery packs may create a risk of injury and fire
- **When battery pack is not in use, keep it away from other metal objects, like paper clips, coins, keys, nails, screws or other small metal objects that can make a connection from one terminal to another.** Shorting the battery terminals together may cause burns or a fire.
- **Under abusive conditions, liquid may be ejected from the battery; avoid contact. If contact accidentally occurs, flush with water. If liquid contacts eyes, additionally seek medical help.** Liquid ejected from the battery may cause irritation or burns.

Service

- **Have your power tool serviced by a qualified repair person using only identical replacement parts.** This will ensure that safety of the power tool is maintained.

COMPACT HEDGE TRIMMER AND GRASS SHEAR SAFETY WARNINGS

⚠ WARNING

The cutting means continues to run after the motor is switched off.

TRAINING

- Read the instructions carefully. Be familiar with the controls and the correct use of the product.
- Never allow children, persons with reduced physical, sensory, or mental capabilities or lack of experience and knowledge, or people unfamiliar with these instructions to use the product. Local regulations may restrict the age of the operator.
- Keep in mind that the operator or user is responsible for accidents or hazards occurring to other people or their property.

PREPARATION

- Inspect the product before use. Replace damaged parts.
- Clear the area to be cut before each use. Remove all objects such as cords, lights, wire, or string that can become entangled in the cutting means.
- Never operate the product while people, especially children, or pets are nearby.
- Replace cutter blades or any other parts that are cracked, chipped, or damaged. Make sure the cutting means is properly installed and securely fastened. Failure to do so can result in personal injury to the operator and bystanders, as well as damage to the product.
- Do not use the product if the switch will not turn the product on or off. Any product that cannot be controlled with the switch is dangerous and must be repaired.
- Form the habit of checking to see that keys and adjusting wrenches are removed from the product before turning it on.

OPERATION

- To reduce the risk of injury, always wear full eye protection, footwear, and clothing when using the product.
- Dress properly. Do not wear loose clothing or jewellery; they can be caught in moving parts. Use of gloves, substantial footwear, and long trousers is recommended when working outdoors.
- Avoid using the product in bad weather conditions especially when there is a risk of lightning.
- Switch on the motor only when the hands and feet are away from the cutting means.
- Take care against injury to feet and hands from the cutting means.
- Always be aware of your surroundings and stay alert for possible hazards that you may not hear due to the noise of the product.
- Never attempt to use an incomplete product or one fitted with an unauthorised modification.

HEDGE TRIMMER SAFETY WARNINGS

- **Keep all parts of the body away from the cutter blade. Do not remove the cut material or hold the material to be cut when blades are moving. Make sure the battery is removed when clearing jammed materials.** A moment of inattention while operating the hedge trimmer may result in serious personal injury.
- **Carry the hedge trimmer by the handle with the cutter blade stopped. When transporting or storing the hedge trimmer, always fit the cutting device cover.** Proper handling of the hedge trimmer reduces possible personal injury from the cutter blades.
- **Hold the power tool by insulated gripping surfaces only, because the cutter blade may contact hidden wiring.** Cutter blades contacting a "live" wire may make exposed metal parts of the power tool "live" and could give the operator an electric shock.
- **Keep cable away from cutting area.** During operation,

the cable may be hidden in shrubs and can be accidentally cut by the blade.

- Check the hedge for foreign objects, such as wire fences.

ADDITIONAL SAFETY WARNINGS

- To avoid accidental starting, never carry the product with your finger on the trigger.
- Wear heavy, long trousers, substantial footwear, and well-fitting gloves. Do not wear short trousers and sandals, or go barefoot.
- Ensure the switch is in the off position before inserting the battery pack. Inserting the battery pack into the product with the switch on invites accidents.
- Do not operate in poor lighting. Use the product in daylight or with good artificial light.
- Keep firm footing and balance. Do not overreach. Overreaching can result in loss of balance. Always be sure of your footing on slopes. Walk, never run.
- Do not force the product. It will do the job better and safer at the speed for which it was designed.
- Before starting the product, make sure the cutting means will not come in contact with anything. If the cutting means strikes or becomes entangled with foreign objects, stop the product immediately, remove the battery pack, and check for damage. Do not operate the product with loose or damaged parts.
- Check for damaged parts, alignment of moving parts, binding of moving parts, and any other condition that may affect the operation. Before further use of the product, other parts that are damaged should be carefully checked to determine that it will operate properly and perform its intended function. Any damaged parts should be properly repaired or replaced by an authorised service centre.
- To reduce the risk of injury associated with contacting moving parts, always stop the product, remove the battery pack, make sure all moving parts have come to a stop, and allow the product to cool down:
 - whenever the product is left unattended
 - before clearing a blockage
 - before checking, cleaning, or working on the product
 - after striking a foreign object
 - whenever the product starts vibrating abnormally
- Keep hands away from the cutting means. Do not attempt to remove cut material or hold the material to be cut when the cutter blades are moving. Make sure the battery pack is removed and the trigger is released when clearing jammed material from the cutting means. Do not grasp the exposed cutter blades or cutting edges when picking up or holding the product.
- Keep hands, face, and feet at a safe distance from the moving parts. Do not touch or try to stop the cutter blades when they are moving.
- Always stop the motor when cutting is delayed or when walking from one cutting location to another.
- Keep the product clean of grass clippings and other materials. They may become lodged in the cutting means.

- Fit the blade sheath when product is not in use.
- Never douse or squirt the product with water or any other liquid. Keep handles dry, clean, and free from debris.

TRANSPORTATION AND STORAGE

- Never operate the product with defective guards or shields, or without safety devices.
- Immediately switch off and remove the battery in the event of accident or breakdown. Don't operate the product again until it has been fully checked by an authorised service centre.
- When transporting or storing the product, always fit the product with the blade sheath.
- Clean the product thoroughly before storing. Store the product in a dry, well-ventilated place that is inaccessible to children. Keep away from corrosive agents such as garden chemicals and de-icing salts.
- Store and charge the battery packs in a cool area. Temperatures above or below normal room temperature will shorten the battery life.
- Never store the battery packs in a discharged condition. Wait for the battery pack to cool down and charge immediately.
- When transporting the product in a vehicle, secure it against movement or falling to prevent injury to persons or damage to the product.

TRANSPORTING LITHIUM BATTERIES

Transport the battery in accordance with local and national provisions and regulations.

Follow all special requirements on packaging and labelling when transporting batteries by a third party. Ensure that no batteries can come in contact with other batteries or conductive materials while in transport by protecting exposed connectors with insulating, nonconductive caps or tape. Do not transport batteries that are cracked or leaking. Check with the forwarding company for further advice.

MAINTENANCE

WARNING

Use only original manufacturer's replacement parts, accessories, and attachments. Failure to do so can cause possible injury, contribute to poor performance, and may void your warranty.

WARNING

Servicing requires extreme care and knowledge and should be performed only by a qualified service technician. For service, bring the product to an authorised service centre for repair. When servicing, use only original replacement parts.

- Use gloves when maintaining the cutting means.
- Maintain the product with care. Keep the cutter edge

sharp and clean for best performance and to reduce the risk of injury. Follow instructions for lubricating and changing accessories. Keep handles dry, clean, and free from oil and grease.

- Switch off the product and remove the battery pack before conducting any maintenance or cleaning work.
- After each use, clean the body and handles with a soft, dry cloth.
- After each use, clean the debris from the blades with a stiff brush, and then carefully apply a rust preventative lubricant before refitting the blade sheath. The manufacturer recommends you use a rust preventative and lubricant spray to apply an even distribution and reduce the risk of personal injury from contact with the cutter blades. For information about suitable spray product, check with an authorised service centre.
- Avoid using solvents when cleaning plastic parts. Most plastics are susceptible to damage from various types of commercial solvents and may be damaged by their use. Use clean cloths to remove dirt, dust, oil, and grease.
- Always ensure that the ventilation openings are kept clear of debris.
- Periodically inspect the cutting means for damage and wear.
- Always use the manufacturer's specified replacement blades.
- For easier operation and longer blade life, lubricate the cutter blades before and after each use. Before lubricating, remove the battery pack and lay cutter blades on a flat surface. Apply lightweight machine oil along the edge of the top blade. Do not apply oil when the product is running.

BATTERY PROTECTION FEATURES

Ryobi 18V Lithium-Ion batteries are designed with features that protect the Lithium-Ion cells and maximise battery life. If the tool stops during use, the following may be the causes:

- The maximum current draw of the battery has been exceeded, causing it to automatically stop powering the tool. Release the trigger to reset the tool and pull the trigger to resume operation.
- Excessive temperatures will cause the battery to stop powering the tool. Feel the battery pack; if it is too warm, allow it to cool down.

If the tool still does not work, recharge the battery.

NOTE: The battery pack indicator LED will not work if the battery protection feature has caused the battery pack to stop powering the tool. Release the tool trigger or remove the battery pack from the tool and the battery pack LED indicator will resume normal function.

RESIDUAL RISK

Even when the product is used as prescribed, it is still impossible to completely eliminate certain residual risk factors. The following hazards may arise in use, and the operator should pay special attention to avoid the following:

- Injury caused by vibration

- Hold the product by designated handles and restrict working time and exposure.
- Injury caused by exposure to noise
 - Wear hearing protection and limit exposure.
- Injury caused by contact with the blades
 - The blade cannot be guarded while cutting. Keep the blade away from yourself and others. Cover it with the blade sheath when the product is not in use.

RISK REDUCTION

It has been reported that vibrations from handheld tools may contribute to a condition called Raynaud's Syndrome. Symptoms may include tingling, numbness and blanching of the fingers, usually apparent upon exposure to cold. Hereditary factors, exposure to cold and dampness, diet, smoking and work practices are all thought to contribute to the development of these symptoms. There are measures that can be taken by the operator to possibly reduce the effects of vibration:

- Keep your body warm in cold weather. When operating the product wear gloves to keep the hands and wrists warm. It is reported that cold weather is a major factor contributing to Raynaud's Syndrome.
- After each period of operation, exercise to increase blood circulation.
- Take frequent work breaks. Limit the amount of exposure per day.

If you experience any of the symptoms of this condition, immediately discontinue use and see your physician.

⚠ WARNING

Injuries may be caused or aggravated, by prolonged use of a tool. When using any tool for prolonged periods, ensure you take regular breaks.

SYMBOLS ON THE PRODUCT



Safety alert



Remove the battery pack before starting any work on the product.



Read and understand all instructions before operating the product, follow all warnings and safety instructions.



Wear eye protection.



Wear ear protection.



Wear non-slip, heavy-duty protective gloves.



Do not expose to rain or damp condition.



To prevent serious injury, do not touch cutting blades.



Beware of thrown or flying objects.
Keep all bystanders, especially children and pets, at least 15m away from the operating area.



Caution! Cutting means continues to run after the motor is switched off.



Waste electrical products should not be disposed of with household waste. Please recycle where facilities exist. Check with your local authority or retailer for recycling advice.



Regulatory Compliance Mark (RCM). Product meets applicable regulatory requirements.



A-weighted sound pressure level at the operator position is 76 dB.
The guaranteed sound power level shown on this label is 86 dB.

SYMBOLS IN THIS MANUAL



Parts or accessories sold separately



Note



Warning

The following signal words and meanings are intended to explain the levels of risk associated with this product:

DANGER

Indicates an imminently hazardous situation, which, if not avoided, will result in death or serious injury.

WARNING

Indicates a potentially hazardous situation, which, if not avoided, could result in death or serious injury.

CAUTION

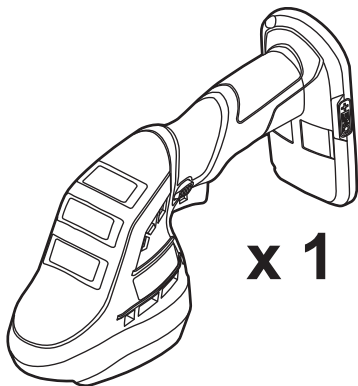
Indicates a potentially hazardous situation, which, if not avoided, may result in minor or moderate injury.

CAUTION

Without safety alert symbol

Indicates a situation that may result in property damage.

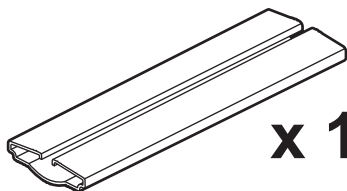
RGS1822Li25



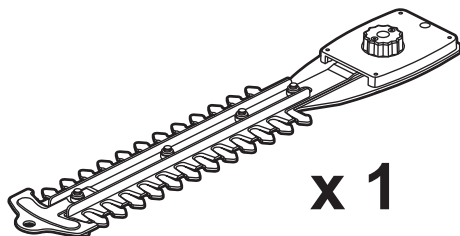
x 1



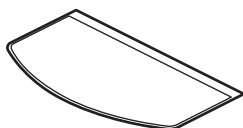
x 1



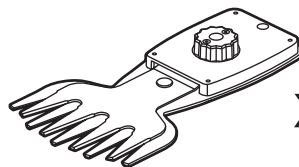
x 1



x 1



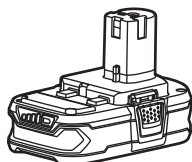
x 1



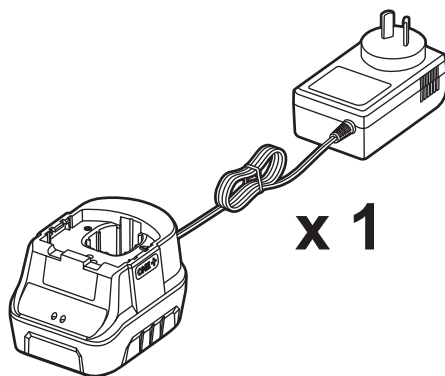
x 1



x 1



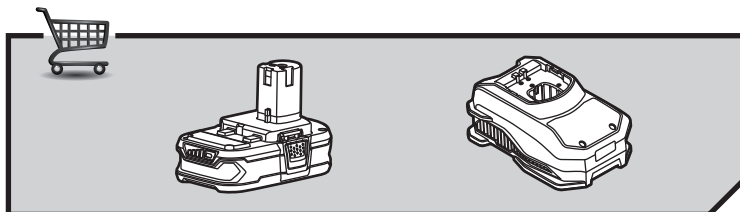
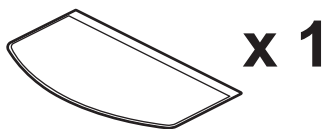
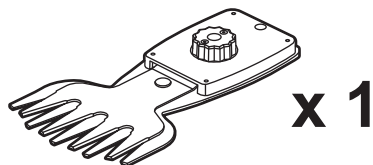
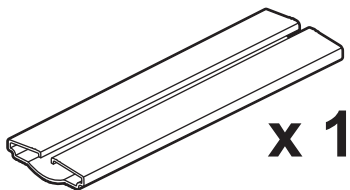
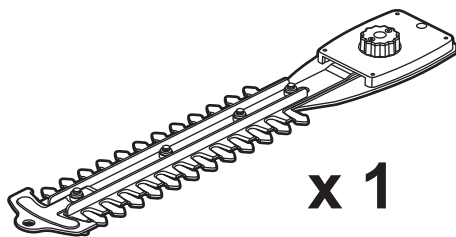
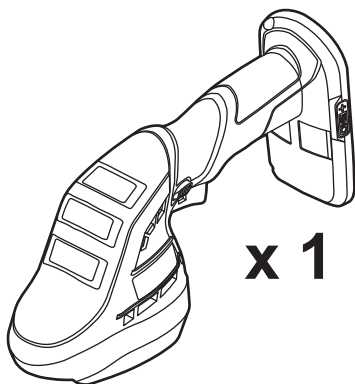
x 1



x 1

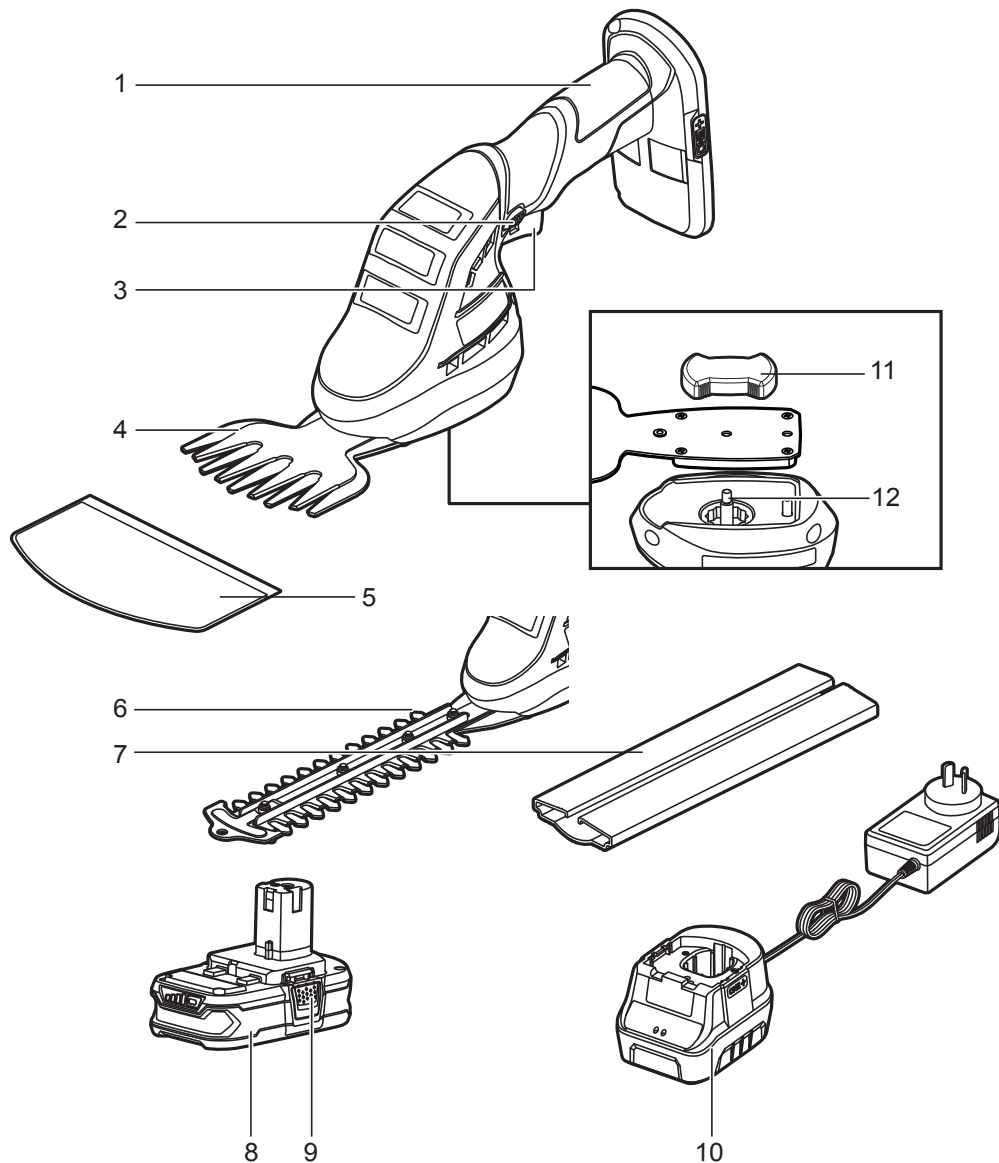
UNPACKING

OGS1820

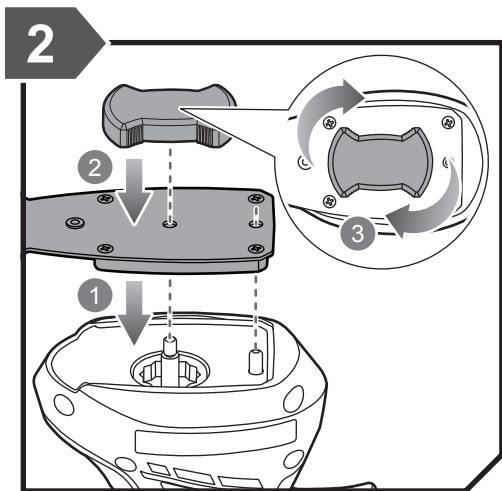
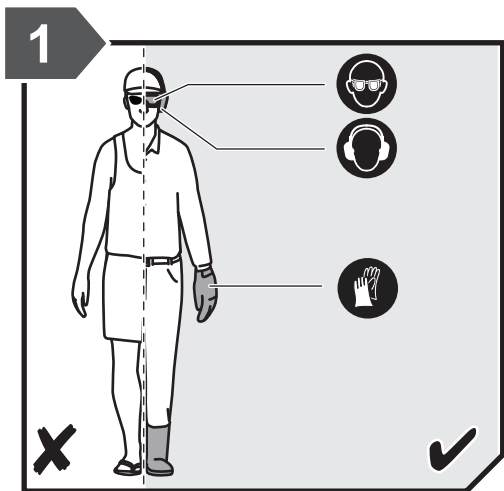


KNOW YOUR PRODUCT

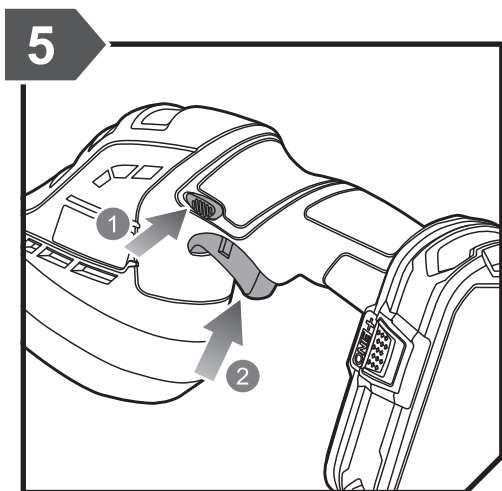
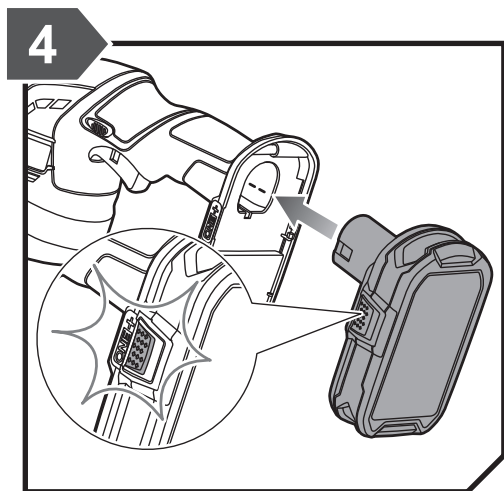
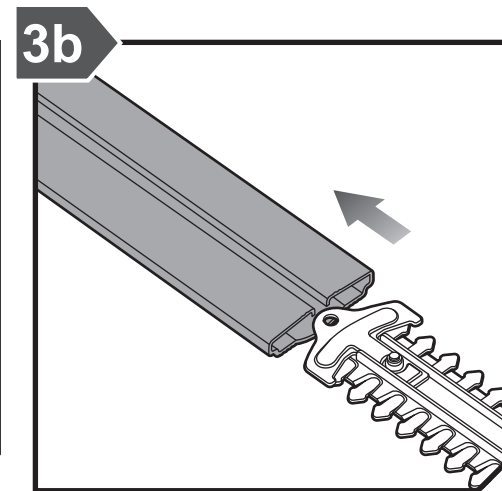
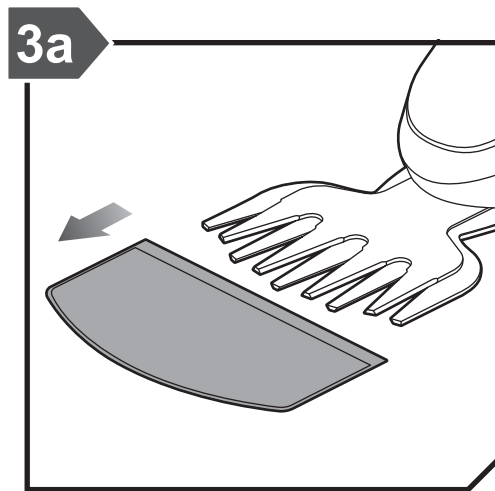
1. Rear handle
2. Trigger lock out button
3. On/off trigger
4. Grass shear blade
5. Grass shear blade sheath
6. Compact hedge trimmer blade
7. Compact hedge trimmer blade sheath
8. Battery pack
9. Battery latch button
10. Charger
11. Blade securing knob
12. Blade post



GETTING STARTED

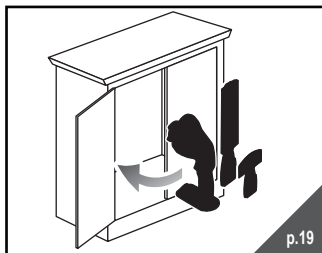
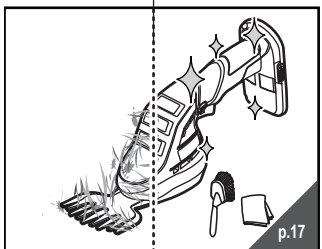
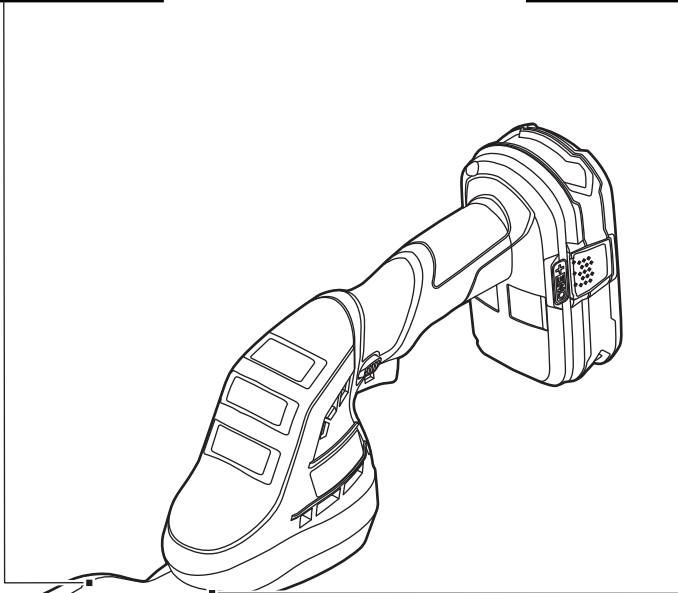
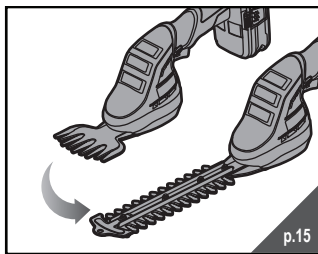
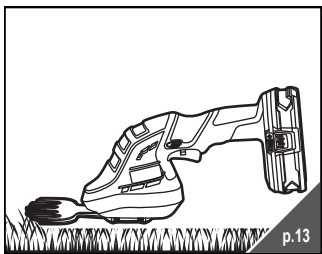


GETTING STARTED

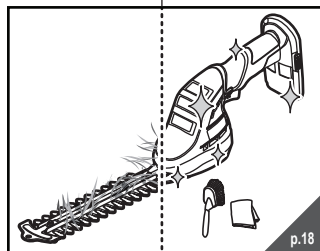
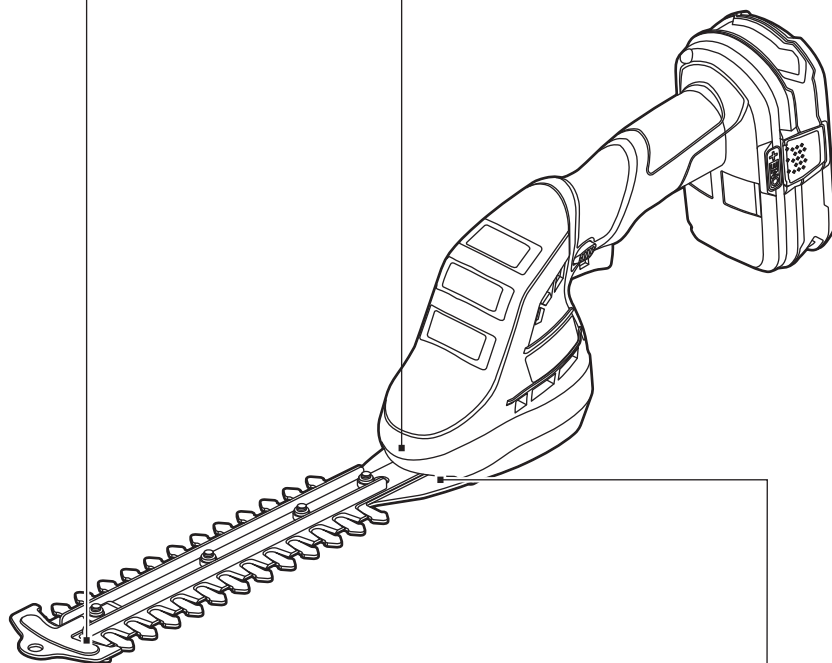
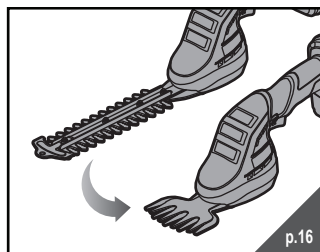
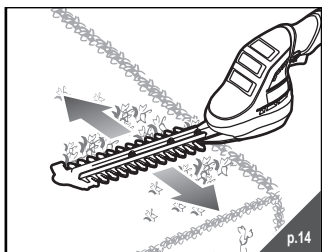




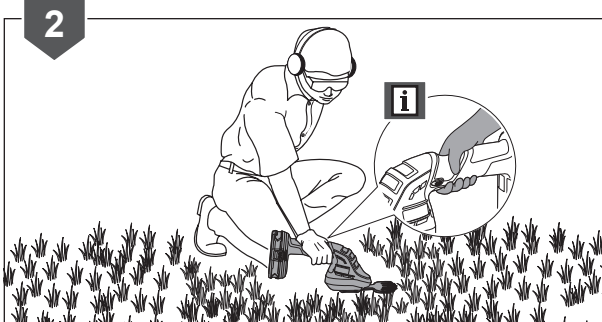
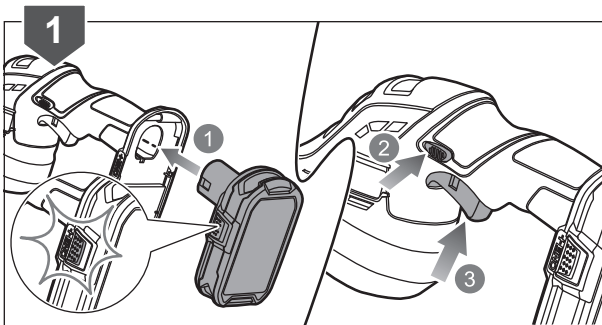
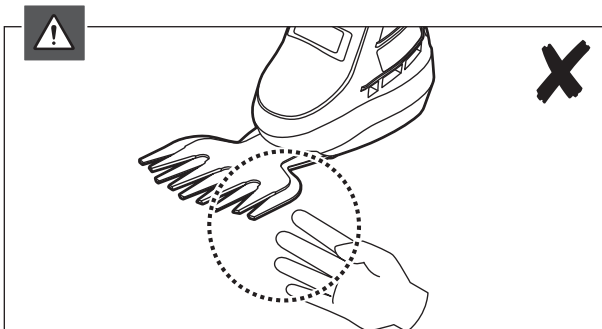
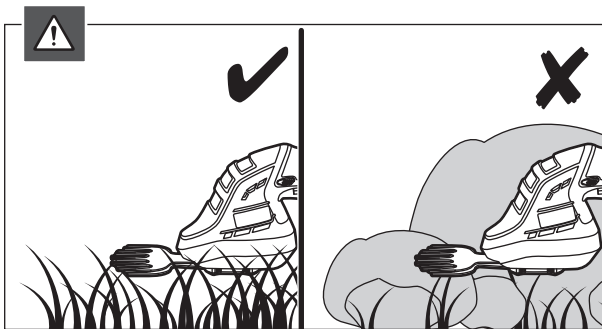
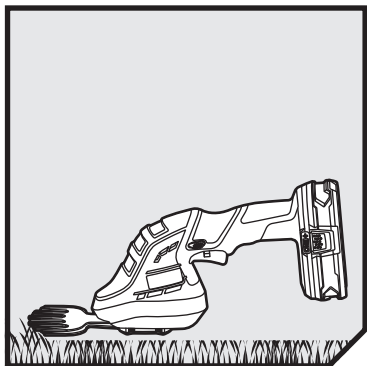
OVERVIEW



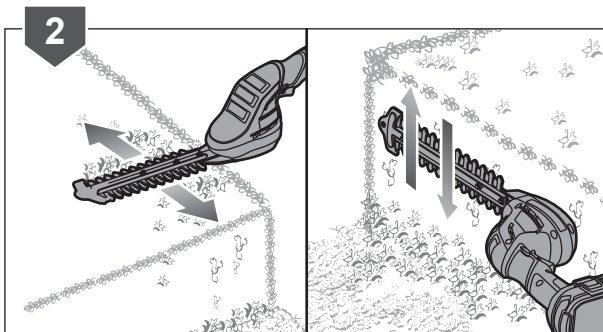
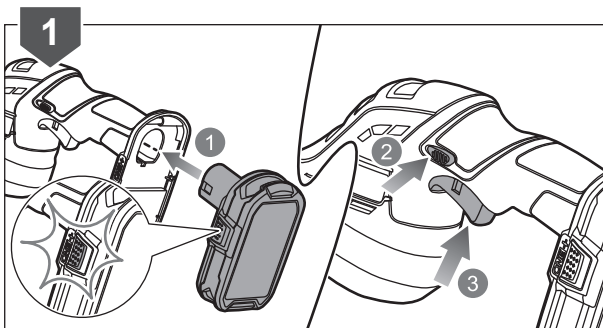
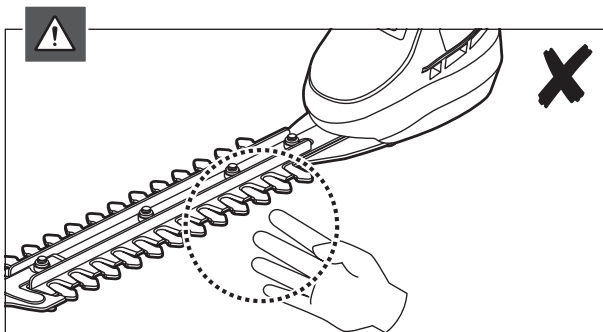
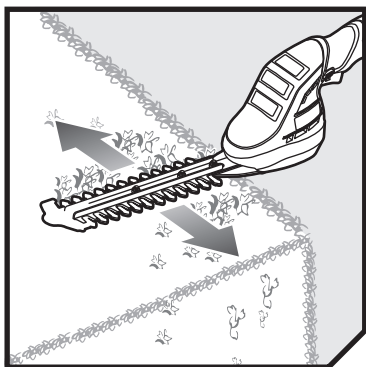
OVERVIEW



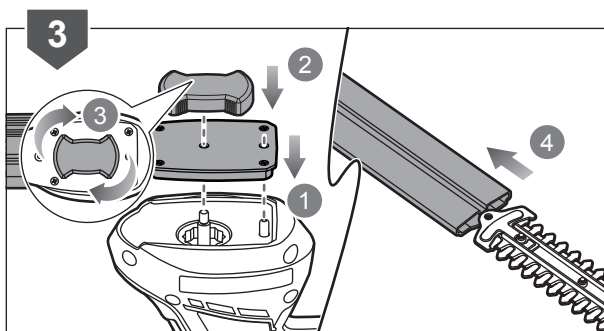
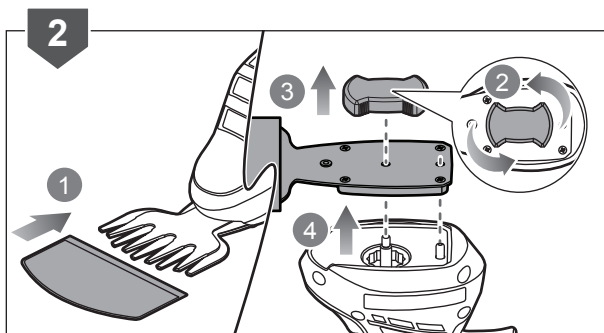
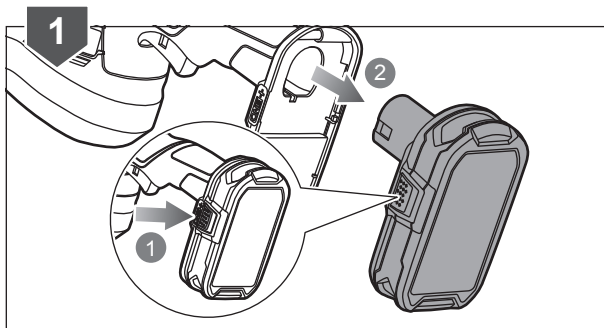
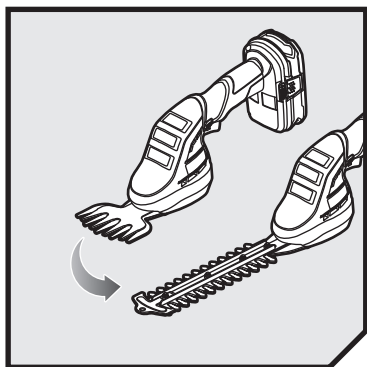
OPERATION



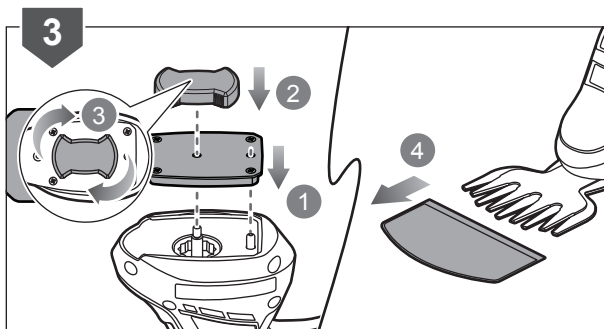
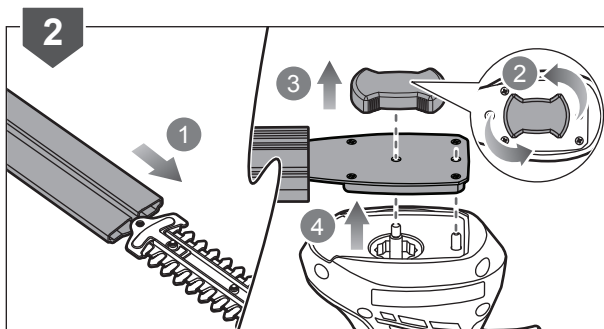
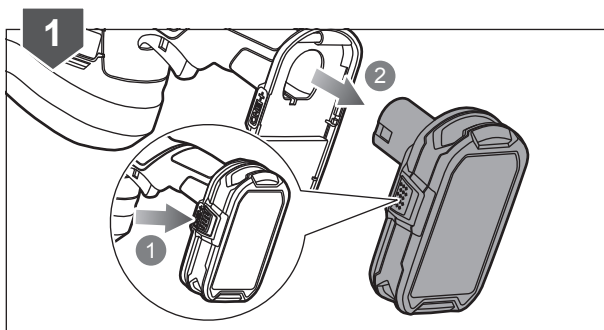
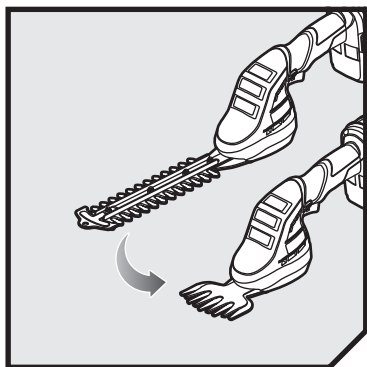
OPERATION



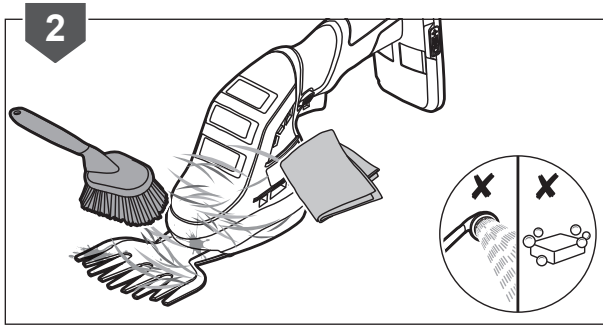
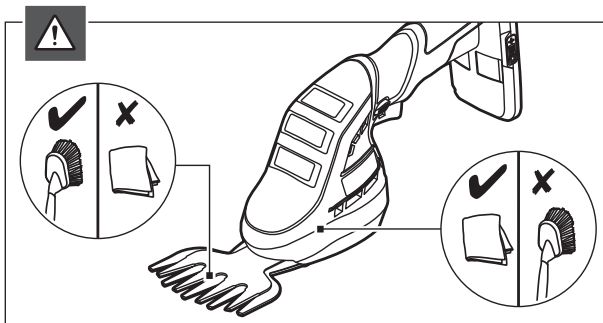
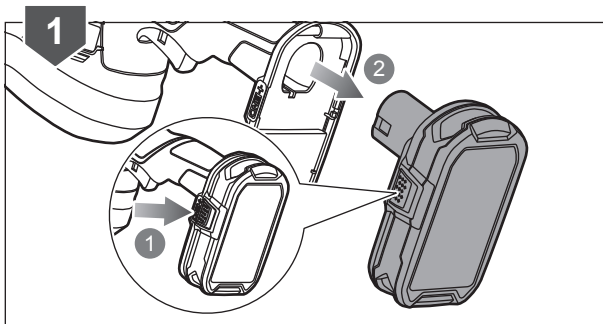
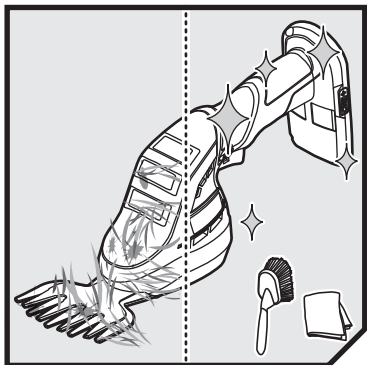
OPERATION



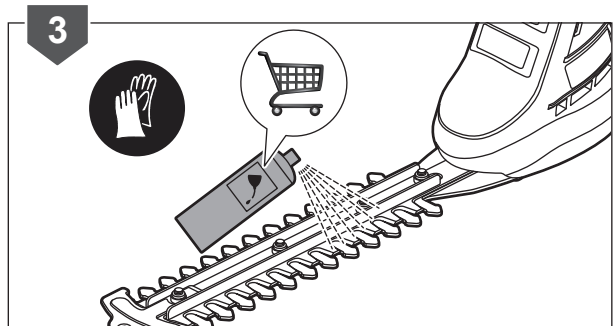
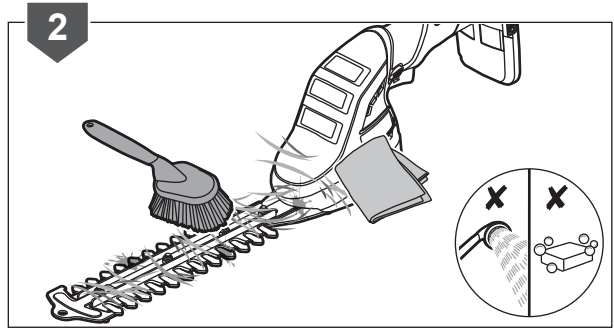
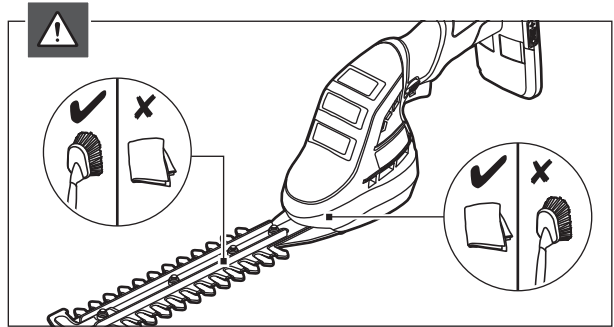
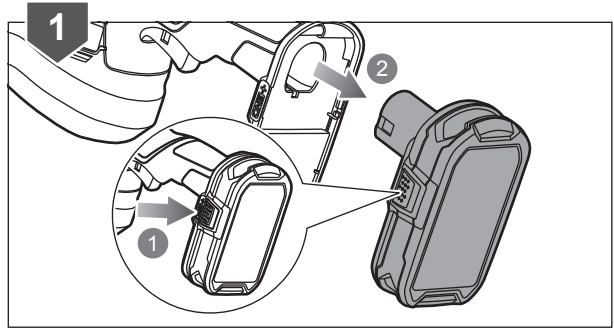
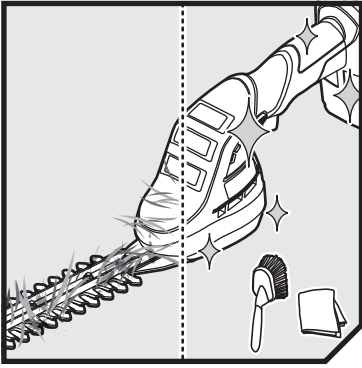
OPERATION



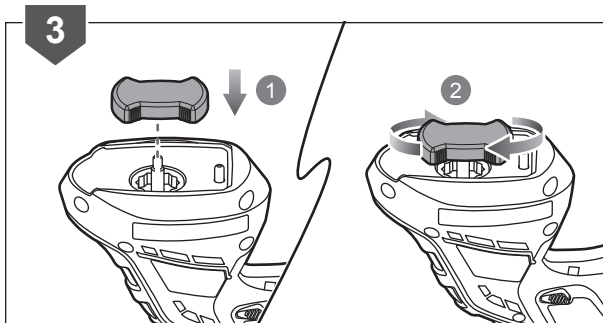
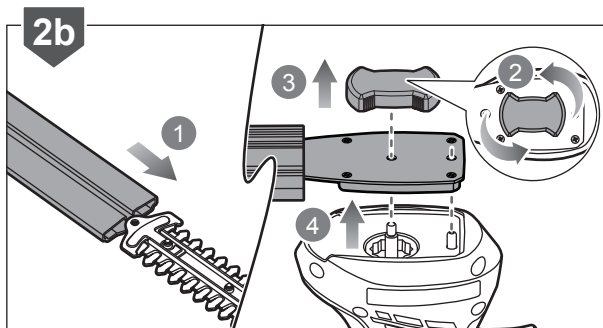
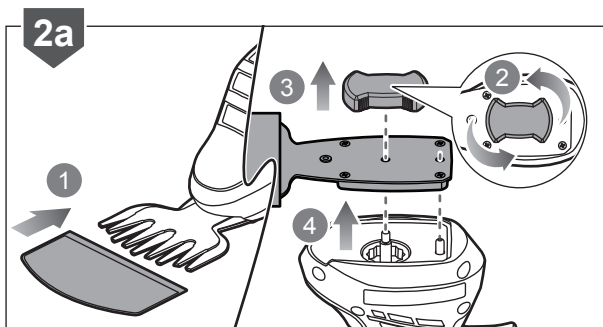
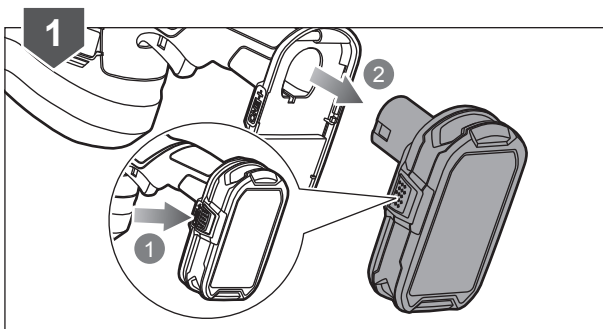
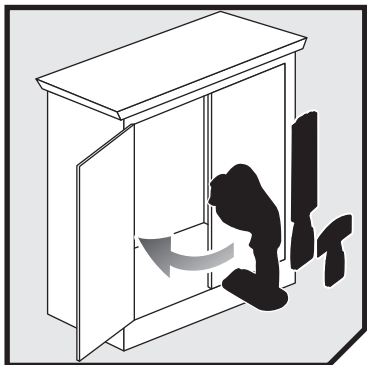
MAINTENANCE



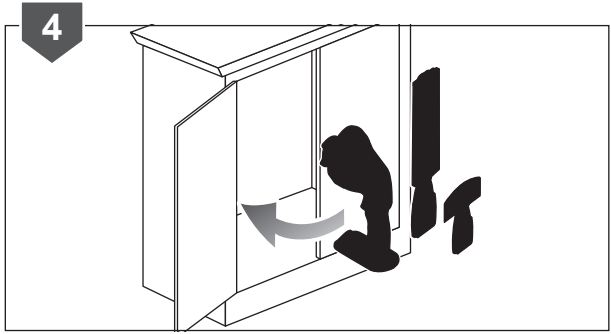
MAINTENANCE



STORAGE



STORAGE



PRODUCT SPECIFICATIONS

| | |
|--|------------------------|
| Model | RGS1822Li25/OGS1820 |
| Rated Voltage | d.c. 18 Volts |
| No-load speed | 1200 min ⁻¹ |
| Hedge trimmer cutting capacity | 8mm |
| Hedge trimmer cutting length | 200 mm |
| Grass shear blade width | 100 mm |
| Vibration level (in accordance with EN 50636-2-94 Annex BB) | Grass shear |
| Main handle | 2.6m/s ² |
| Uncertainty of measurement | 1.5 m/s ² |
| Noise emission level (in accordance with EN 50636-2-94 Annex CC) | |
| A-weighted sound pressure level at the operator position | 72.6 dB |
| Uncertainty of measurement | 2.5 dB |
| A-weighted sound power level | 81.5 dB |
| Uncertainty of measurement | 2.5 dB |
| Vibration level (in accordance with EN 60745-1 and EN 60745-2-15) | Hedge trimmer |
| Main handle | 0.8m/s ² |
| Uncertainty of measurement | 1.5 m/s ² |
| Noise emission level (in accordance with EN 60745-1 and EN 60745-2-15) | |
| A-weighted sound pressure level | 71.3 dB(A) |
| Uncertainty of measurement | 3 dB |
| A-weighted sound power level | 82.3 dB(A) |
| Uncertainty of measurement | 3 dB |
| Weight with grass shear blade without battery pack | 0.87kg |
| Weight with hedge trimmer blade without battery pack | 1.13kg |

BATTERY AND CHARGER

| | | |
|--------------------------|--|--------------|
| Model | RGS1822Li25 | OGS1820 |
| Battery pack | RB18L25 | Not included |
| Weight of battery pack | 0.43kg | Not included |
| Compatible battery packs | RB18L13 / RB18L15 / RB18L25 / RB18L26 / RB18L40 / RB18L50 / RB18L20 | |
| Charger pack | RC18120 | Not included |
| Compatible chargers | BCL18120 / BCL14181H / BCL14183H / BCS618G / RC18150U / RC18627U / BCL1418IV | |

REPLACEMENT PARTS

| | |
|---------------------|-----------|
| Shear blade | 302348001 |
| Hedge trimmer blade | 302350002 |



Imported by:

Techtronic Industries (Australia) Pty. Ltd.
31 Gilby Road,
Mt Waverley, VIC 3149, Australia

Techtronic Industries New Zealand Ltd.
2 Landing Drive, Auckland Airport
Mangere, New Zealand 2022