

Robert Bosch Power Tools GmbH
70538 Stuttgart
GERMANY

www.bosch-pt.com

1 609 92A 1LB (2015.04) PS / 251 **EURO**



1 609 92A 1LB

PFS

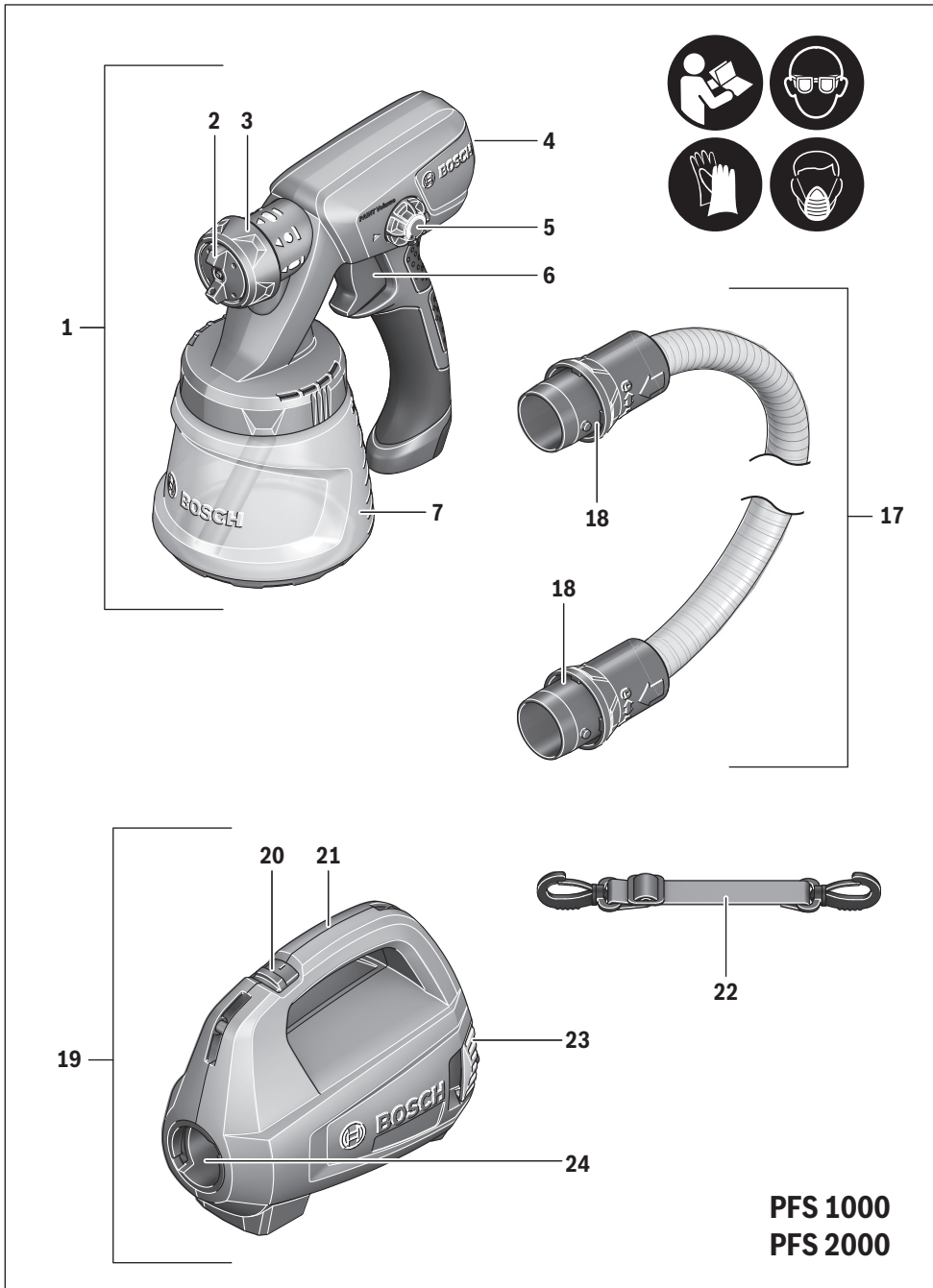
1000 | 2000

 **BOSCH**

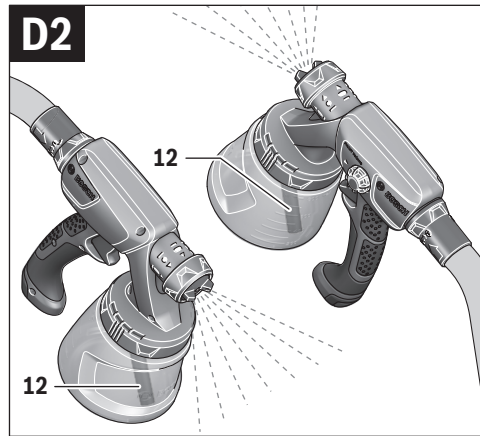
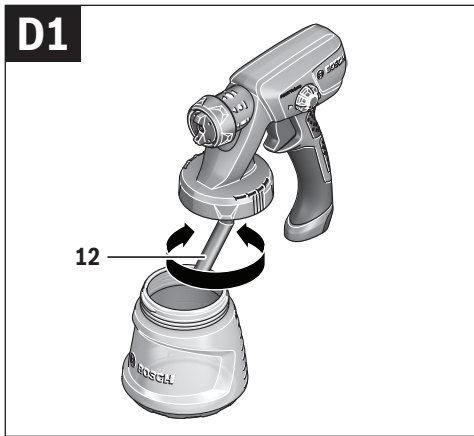
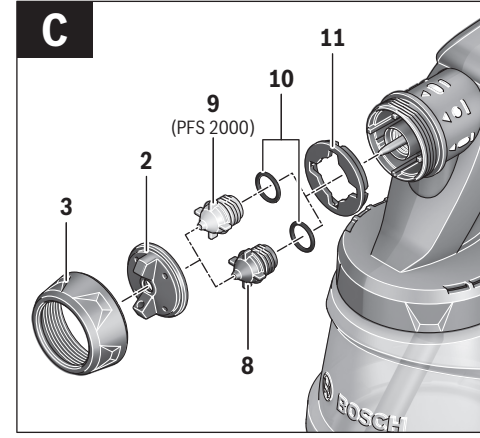
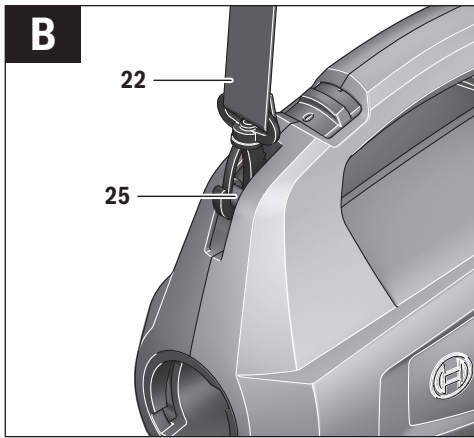
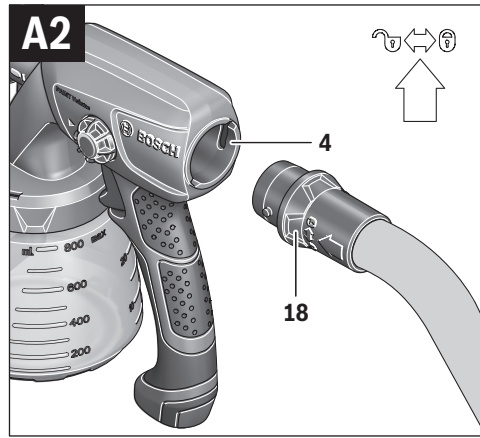
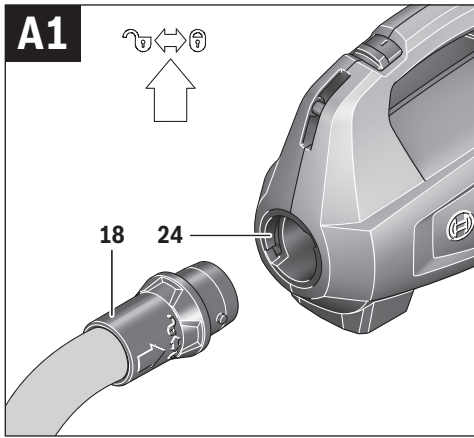
- | | | |
|--|--|---|
| de Originalbetriebsanleitung | tr Orijinal işletme talimatı | mk Оригинално упатство за работа |
| en Original instructions | pl Instrukcja oryginalna | sr Originalno uputstvo za rad |
| fr Notice originale | cs Původní návod k používání | sl Izvirna navodila |
| es Manual original | sk Pôvodný návod na použitie | hr Originalne upute za rad |
| pt Manual original | hu Eredeti használati utasítás | et Algupärane kasutusjuhend |
| it Istruzioni originali | ru Оригинальное руководство по эксплуатации | lv Instrukcijas oriģinālvalodā |
| nl Oorspronkelijke gebruiksaanwijzing | uk Оригінальна інструкція з експлуатації | lt Originali instrukcija |
| da Original brugsanvisning | kk Пайдалану нұсқаулығының түпнұсқасы | ar تعليمات التشغيل الأصلية |
| sv Bruksanvisning i original | ro Instrucțiuni originale | |
| no Original driftsinstruks | bg Оригинална инструкция | |
| fi Alkuperäiset ohjeet | | |
| el Πρωτότυπο οδηγιών χρήσης | | |

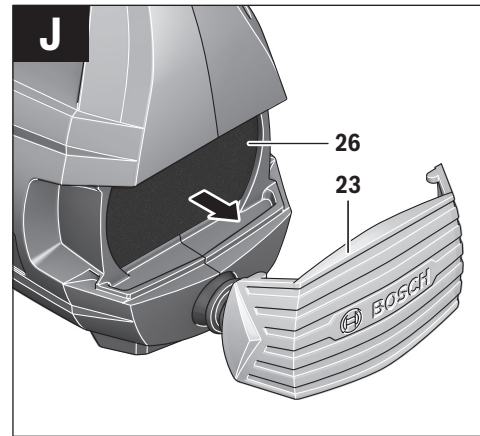
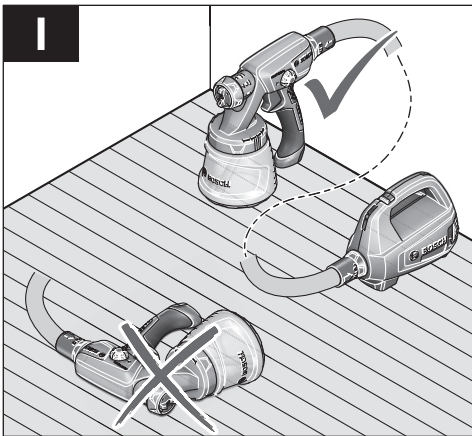
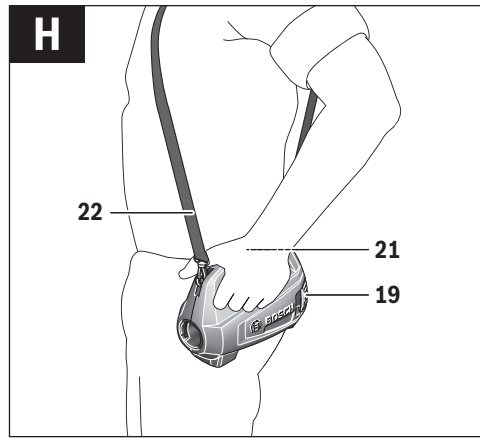
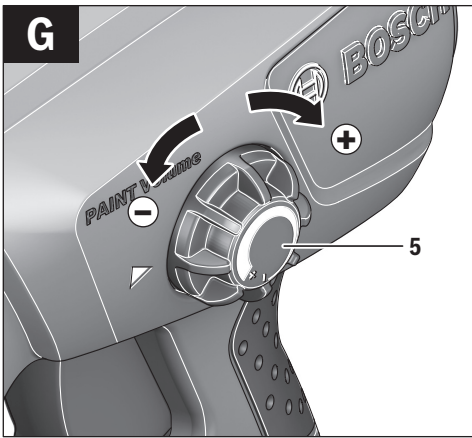
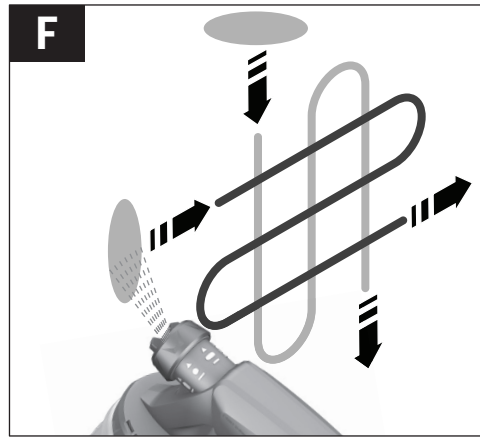
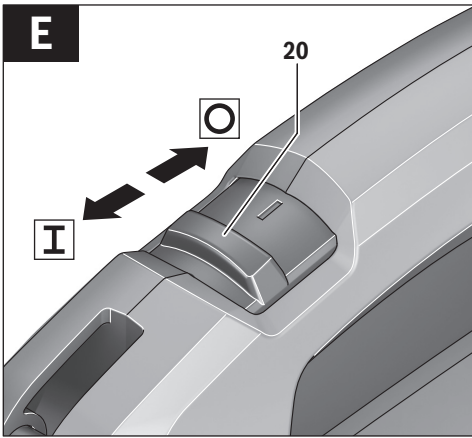


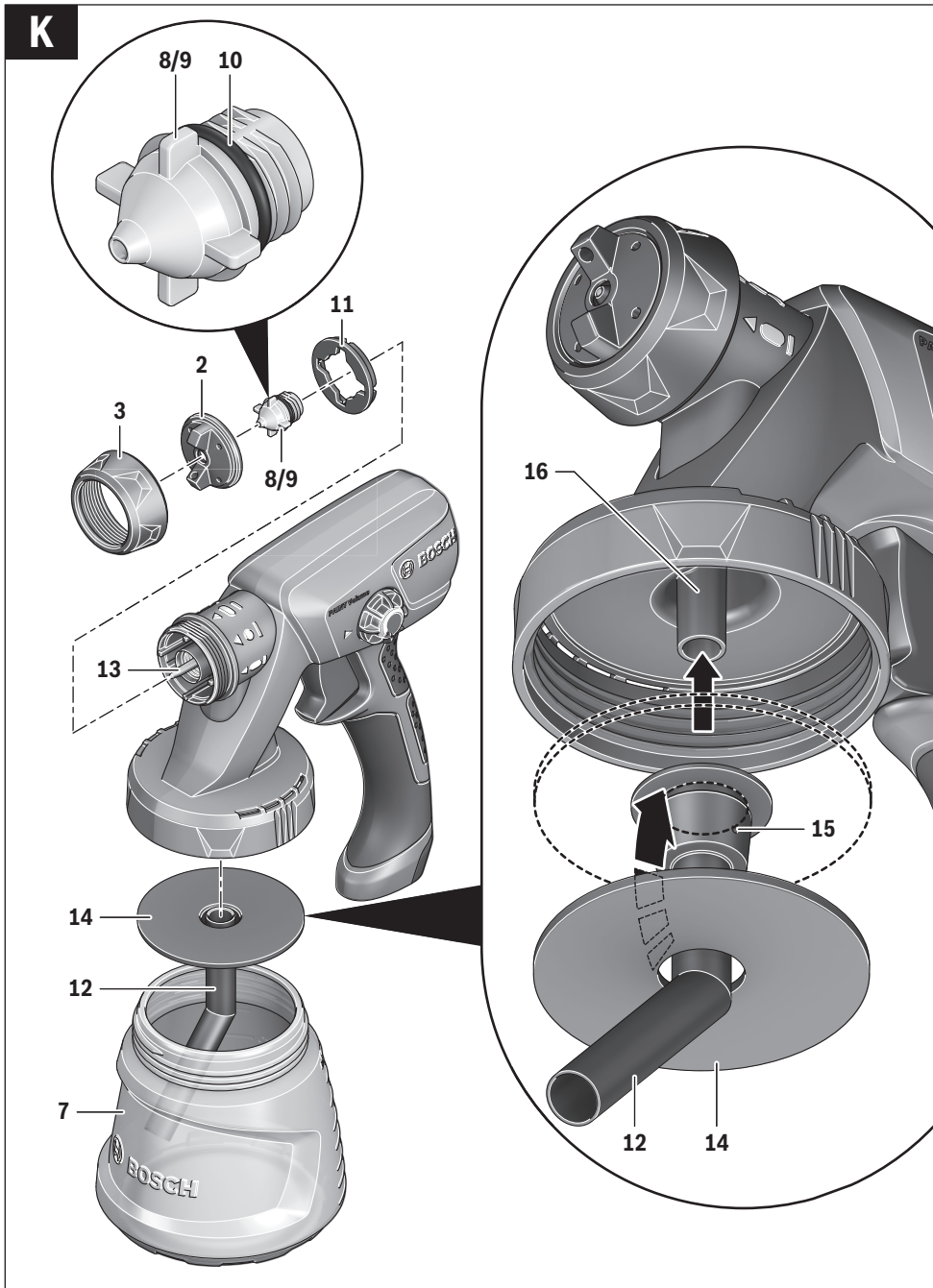
Deutsch	Seite	7
English	Page	15
Français	Page	22
Español	Página	31
Português.....	Página	39
Italiano	Página	48
Nederlands	Página	56
Dansk	Side	64
Svenska	Sida	71
Norsk	Side	78
Suomi	Sivu	85
Ελληνικά	Σελίδα	93
Türkçe	Sayfa	102
Polski	Strona	110
Česky	Strana	118
Slovensky.....	Strana	126
Magyar	Oldal	134
Русский	Страница	142
Українська.....	Сторінка	152
Қазақша.....	Бет	161
Română	Pagina	170
Български	Страница	178
Македонски	Страна	186
Srpski	Strana	195
Slovensko	Stran	203
Hrvatski	Stranica	210
Eesti	Lehekülj	218
Latviešu	Lappuse	225
Lietuviškai	Puslapis	234
عربي	صفحة	250



4 |







Luxemburg

Tel.: +32 2 588 0589

Fax: +32 2 588 0595

E-Mail: outillage.gereedschap@be.bosch.com

Entsorgung

Sprühpistole, Elektroeinheit, Zubehör und Verpackungen sollen einer umweltgerechten Wiederverwertung zugeführt werden.

Werfen Sie Elektrowerkzeuge nicht in den Hausmüll!

Nur für EU-Länder:

Gemäß der Europäischen Richtlinie 2012/19/EU über Elektro- und Elektronik-Altgeräte und ihrer Umsetzung in nationales Recht müssen nicht mehr gebrauchsfähige Elektrowerkzeuge getrennt gesammelt und einer umweltgerechten Wiederverwertung zugeführt werden.

Änderungen vorbehalten.

English**Safety Notes****General Power Tool Safety Warnings**

⚠ WARNING Read all safety warnings and all instructions. Failure to follow the warnings and instructions may result in electric shock, fire and/or serious injury.

Save all warnings and instructions for future reference.

The term "power tool" in the warnings refers to your mains-operated (corded) power tool or battery-operated (cordless) power tool.

Work area safety

- ▶ **Keep work area clean and well lit.** Cluttered or dark areas invite accidents.
- ▶ **Do not operate power tools in explosive atmospheres, such as in the presence of flammable liquids, gases or dust.** Power tools create sparks which may ignite the dust or fumes.
- ▶ **Keep children and bystanders away while operating a power tool.** Distractions can cause you to lose control.

Electrical safety

- ▶ **Power tool plugs must match the outlet. Never modify the plug in any way. Do not use any adapter plugs with earthed (grounded) power tools.** Unmodified plugs and matching outlets will reduce risk of electric shock.
- ▶ **Avoid body contact with earthed or grounded surfaces, such as pipes, radiators, ranges and refrigerators.** There is an increased risk of electric shock if your body is earthed or grounded.

- ▶ **Do not expose power tools to rain or wet conditions.** Water entering a power tool will increase the risk of electric shock.
- ▶ **Do not abuse the cord. Never use the cord for carrying, pulling or unplugging the power tool. Keep cord away from heat, oil, sharp edges and moving parts.** Damaged or entangled cords increase the risk of electric shock.
- ▶ **When operating a power tool outdoors, use an extension cord suitable for outdoor use.** Use of a cord suitable for outdoor use reduces the risk of electric shock.
- ▶ **If operating a power tool in a damp location is unavoidable, use a residual current device (RCD) protected supply.** Use of an RCD reduces the risk of electric shock.

Personal safety

- ▶ **Stay alert, watch what you are doing and use common sense when operating a power tool. Do not use a power tool while you are tired or under the influence of drugs, alcohol or medication.** A moment of inattention while operating power tools may result in serious personal injury.
- ▶ **Use personal protective equipment. Always wear eye protection.** Protective equipment such as dust mask, non-skid safety shoes, hard hat, or hearing protection used for appropriate conditions will reduce personal injuries.
- ▶ **Prevent unintentional starting. Ensure the switch is in the off-position before connecting to power source and/or battery pack, picking up or carrying the tool.** Carrying power tools with your finger on the switch or energising power tools that have the switch on invites accidents.
- ▶ **Remove any adjusting key or wrench before turning the power tool on.** A wrench or a key left attached to a rotating part of the power tool may result in personal injury.
- ▶ **Do not overreach. Keep proper footing and balance at all times.** This enables better control of the power tool in unexpected situations.
- ▶ **Dress properly. Do not wear loose clothing or jewelry. Keep your hair, clothing and gloves away from moving parts.** Loose clothes, jewellery or long hair can be caught in moving parts.
- ▶ **If devices are provided for the connection of dust extraction and collection facilities, ensure these are connected and properly used.** Use of dust collection can reduce dust-related hazards.

Power tool use and care

- ▶ **Do not force the power tool. Use the correct power tool for your application.** The correct power tool will do the job better and safer at the rate for which it was designed.
- ▶ **Do not use the power tool if the switch does not turn it on and off.** Any power tool that cannot be controlled with the switch is dangerous and must be repaired.
- ▶ **Disconnect the plug from the power source and/or the battery pack from the power tool before making any adjustments, changing accessories, or storing power tools.** Such preventive safety measures reduce the risk of starting the power tool accidentally.

16 | English

- ▶ **Store idle power tools out of the reach of children and do not allow persons unfamiliar with the power tool or these instructions to operate the power tool.** Power tools are dangerous in the hands of untrained users.
- ▶ **Maintain power tools. Check for misalignment or binding of moving parts, breakage of parts and any other condition that may affect the power tool's operation. If damaged, have the power tool repaired before use.** Many accidents are caused by poorly maintained power tools.
- ▶ **Keep cutting tools sharp and clean.** Properly maintained cutting tools with sharp cutting edges are less likely to bind and are easier to control.
- ▶ **Use the power tool, accessories and tool bits etc. in accordance with these instructions, taking into account the working conditions and the work to be performed.** Use of the power tool for operations different from those intended could result in a hazardous situation.

Service

- ▶ **Have your power tool serviced by a qualified repair person using only identical replacement parts.** This will ensure that the safety of the power tool is maintained.

Safety Warnings for Fine-spray Systems

- ▶ **Keep area clean, well lit and free of paint or solvent containers, rags, and other flammable materials.** Spontaneous combustion may occur. Fire extinguisher equipment shall be present and working at all times.
- ▶ **Provide for good ventilation in the spraying area and for sufficient fresh air in the complete room.** Evaporating inflammable solvents create an explosive environment.
- ▶ **Do not spray and clean with materials that have a flash point of less than 55 °C. Use materials based on water, non-volatile hydrocarbons or similar materials.** Volatile evaporating solvents create an explosive environment.
- ▶ **Do not spray in the vicinity of ignition sources, such as static electricity sparks, open flames, pilot lights, hot objects, engines/motors, cigarettes and sparks from plugging in or unplugging power cords or operating switches.** Such spark sources can ignite the spraying vicinity/environment.
- ▶ **Do not spray any liquid of unknown hazard potential.** Unknown materials can create hazardous conditions.
- ▶ **Do not spray wallpaper stripper or boiling water. Spray only warm water (max. 55 °C) without chemical additives.**
- ▶ **Wear additional protective equipment such as appropriate protective gloves and protective masks or respirators when spraying or handling chemicals.** Wearing protective equipment for the appropriate conditions reduces the exposure to hazardous substances.



- ▶ **Be aware of possible hazards from the spray material. Observe the information on drums/tanks/tins as well as manufacturer information of the spray material, including the request to wear personal protective equipment.** The manufacturer's instructions are to be observed in order to reduce the risk of fire as well as injuries caused through toxins, carcinogens, etc.
- ▶ **Keep the plug of the mains cord and the trigger switch of the spray gun clear of paint and other fluids. Never hold the cord by its connectors to support it.** Failure to follow the instruction can lead to electric shock.
- ▶ **Supervise children.** This will ensure that children do not play with the fine-spray system.

Products sold in GB only: Your product is fitted with a BS 1363/A approved electric plug with internal fuse (ASTA approved to BS 1362).

If the plug is not suitable for your socket outlets, it should be cut off and an appropriate plug fitted in its place by an authorised customer service agent. The replacement plug should have the same fuse rating as the original plug.

The severed plug must be disposed of to avoid a possible shock hazard and should never be inserted into a mains socket elsewhere.

Products sold in AUS and NZ only: Use a residual current device (RCD) with a rated residual current of 30 mA or less.

Product Description and Specifications

Read all safety warnings and all instructions. Failure to follow the warnings and instructions may result in electric shock, fire and/or serious injury.

Intended Use**PFS 1000**

The power tool is only intended for atomising solvent-based and water-dilutable lacquers, glazes, primers, clear lacquers, wood stains, oils and water.

The power tool can also be used to spray more highly diluted emulsion and latex paints.

The power tool is not suitable for use with caustic solutions, acidic coating materials, spray material containing grains or solids, and spatter and drip resistant materials.

PFS 2000

The power tool is only intended for spraying emulsion and latex paints, solvent-based and water-dilutable lacquers, glazes, primers, clear lacquers, wood stains, oils (**ALLPaint**) and water.

The power tool is not suitable for spraying caustic solutions, acidic coating materials and house paints.

Product Features

The numbering of the components shown refers to the representation of the power tool on the graphic pages.

- 1 Spray gun
- 2 Air cap
- 3 Union nut

- 4 Hose port (spray gun)
- 5 Thumbwheel for spraying capacity
- 6 Trigger switch
- 7 Container for spray material
- 8 Nozzle cap (grey: for a "wood" application)
- 9 Nozzle cap (white: for a "wall" application) (PFS 2000)
- 10 O-ring
- 11 Gasket
- 12 Suction tube
- 13 Nozzle needle
- 14 Container seal
- 15 Ventilation hole
- 16 Paint channel

- 17 Air hose
- 18 Bayonet lock
- 19 Base unit
- 20 On/Off switch
- 21 Carrying handle
- 22 Carrying strap
- 23 Air filter cover
- 24 Hose connection (base unit)
- 25 Eyelet for carrying strap
- 26 Air filter

*Accessories shown or described are not part of the standard delivery scope of the product. A complete overview of accessories can be found in our accessories program.

Technical Data

Fine-spray System		PFS 1000	PFS 2000
Article number		3 603 B07 0..	3 603 B07 3..
Rated power input	W	410	440
Spraying capacity	ml/min	100	200
Required time for application of paint on 2 m ²	min	2	1,3
Container capacity for spray material	ml	800	800
Nozzle cap 8 (grey)			
– "Wood" application: Spraying solvent-based and water-dilutable lacquers, glazes, primers, clear lacquers, wood stains and oils		●	●
Nozzle cap 9 (white)			
– "Wall" application: Spraying emulsion and latex paints		–	●
Length of air hose	m	1.25	1.25
Weight according to EPTA-Procedure 01:2014	kg	2.0	2.0
Protection class		□/II	□/II

The values given are valid for a nominal voltage [U] of 230 V. For different voltages and models for specific countries, these values can vary.

Noise/Vibration Information

Sound emission values determined according to EN 60745-1, EN 50580.

Typically the A-weighted sound pressure level of the product is 79 dB(A). Uncertainty K = 3 dB.

The noise level when working can exceed 80 dB(A).

Wear hearing protection!

Vibration total values a_h (triax vector sum) and uncertainty K determined according to EN 60745-1, EN 50580:

$a_h < 2.5 \text{ m/s}^2$, $K = 1.5 \text{ m/s}^2$.

The vibration level given in this information sheet has been measured in accordance with a standardised test given in EN 60745 and may be used to compare one tool with another. It may be used for a preliminary assessment of exposure. The declared vibration emission level represents the main applications of the tool. However if the tool is used for different applications, with different accessories or insertion tools or is poorly maintained, the vibration emission may differ. This may significantly increase the exposure level over the total working period.

An estimation of the level of exposure to vibration should also take into account the times when the tool is switched off or when it is running but not actually doing the job. This may significantly reduce the exposure level over the total working period.

Identify additional safety measures to protect the operator from the effects of vibration such as: maintain the tool and the accessories, keep the hands warm, organisation of work patterns.

Declaration of Conformity

We declare under our sole responsibility that the product described under "Technical Data" is in conformity with all relevant provisions of the directives 2011/65/EU, until 19 April 2016: 2004/108/EC, from 20 April 2016 on: 2014/30/EU, 2006/42/EC including their amendments and complies with the following standards:
EN 60745-1, EN 50580, EN 50581.

Technical file (2006/42/EC) at:
Robert Bosch Power Tools GmbH, PT/ETM9,
70538 Stuttgart, GERMANY

18 | English

Henk Becker
Executive Vice President
Engineering

Helmut Heinzelmann
Head of Product Certification
PT/ETM9

Henk Becker *i.V. H. Heinzelmann*

Robert Bosch Power Tools GmbH
70538 Stuttgart, GERMANY
Stuttgart, 01.01.2017

Assembly

- ▶ **Before any work on the machine itself, pull the mains plug.**
- ▶ **Ensure that the spray gun and base unit are assembled completely and with all seals.** Only this will ensure the function and safety of the fine-spray system.

Connecting the Air Hose (see figures A1 – A2)

Connecting the base unit:

- Insert a bayonet lock **18** of the air hose securely into the slots in the base unit port **24** according to the arrow marks.
- Turn the bayonet lock a quarter turn clockwise.

Connecting to the spray gun:

- Insert the second bayonet lock **18** of the air hose securely into the slots in the spray gun port **4** according to the arrow marks.
- Turn the bayonet lock a quarter turn clockwise.

Note: Remove the air hose **17** before pouring in spray material (quarter turn of the bayonet lock **18** counterclockwise; pull the bayonet lock **18** out of the port **4**).

Fastening the Carrying Strap (see figure B)

In order to reach all surfaces to be sprayed and maintain flexibility, you can sling on the base unit with the carrying strap **22**.

- Attach one strap end to each eyelet **25**.

Changing the Nozzle Cap (PFS 2000) (see figure C)

Note: Check the spray material by stirring it before selecting the nozzle cap. Thin-viscosity material (e.g. wood paint) or diluted material can be sprayed better with the grey nozzle cap **8**. Thicker-viscosity material (e.g. wood lacquer or wall paint) can be sprayed better with the white nozzle cap **9**.

- To change the nozzle cap, unscrew the union nut **3**.
- Pull off the air cap **2** and the gasket **11**.
- Unscrew the mounted nozzle cap.
When doing so, ensure that the O-ring **10** remains on the nozzle cap.
- Screw the required nozzle cap into the thread in the spray gun.
- Put the air cap **2** with the gasket **11** on the nozzle cap and tighten it with the union nut **3**.

Operation

- ▶ **Before any work on the machine itself, pull the mains plug.**

Preparing for Operation

- ▶ **Spraying on the sides of water bodies (lakes, rivers, etc.) or neighbouring surfaces in the direct catchment area is not permitted.**

When purchasing paint, varnish and spray material, pay attention to their environmental compatibility.

Preparing the Spray Surface

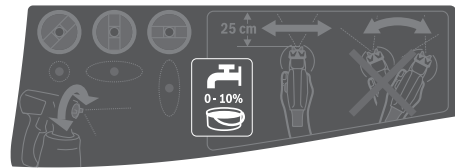
The spray surface must be clean, dry and grease-free.

- Roughen smooth surfaces and then remove the sanding dust.

When spraying, all non-covered surfaces can be soiled by the spray mist. Therefore, thoroughly prepare the area around the surface to be sprayed:

- Cover or mask off floors, furnishings, doors, windows as well as door and window frames, etc.

Preparing the Spray Material



- Stir the spray material thoroughly.
- Dilute the spray material if necessary.

Spray material	Recommended dilution
Wood stains, oils, glazes, impregnations, anti-rust primers	0 %
Solvent-dilutable or water-dilutable lacquers, primers, radiator lacquers, thick-coat glazes	10 %
Emulsion paint, latex paint	minimum 10 %

- ▶ **When diluting, pay attention that the spray material and the diluting agent correspond.** When using a faulty diluting agent, lumps can develop that can lead to clogging of the spray gun.

- ▶ **When diluting the spray material, make sure that the flash point of the mixture is above 55 °C again after diluting.** Diluting e.g. solvent-based lacquers lowers the flash point.

Filling in Spray Material (see figures D1 – D2)

Note: Remove the air hose **17** before pouring in spray material (quarter turn of the bayonet lock **18** counterclockwise; pull the bayonet lock **18** out of the port **4**).

- Unscrew the container **7** from the spray gun.
- Pour the spray material into the container **7 up to no more than the 800 mark**.

- Turn the suction tube **12** so that the spray material can be sprayed with almost no residue:

For spray jobs on horizontal surfaces/objects	toward the front in nozzle/air cap direction
For spray jobs overhead	toward the rear in handle direction

- Carry out a test-spray run on a test surface. (see “Spraying”, page 19)

When the spraying pattern is perfect, start the spray job.

or

When the spraying result is not satisfactory or when no paint comes out, please continue as described under “Correction of Malfunctions” on page 21.

Starting Operation (see figure E)

- ▶ **Observe the mains voltage!** The voltage of the power source must correspond with the data on the type plate of the machine.
- ▶ **Pay attention that the base unit cannot draw in dust or other contamination during operation.**
- ▶ **Make sure never to spray on the base unit.**
- ▶ **Stop spraying if fluid escapes from places other than the intended nozzle during spraying, and restore the spray gun to its proper condition.** There is a risk of electric shock.
- ▶ **Do not direct the fine-spray system against yourself, other persons or animals.**

Switching On

To save energy, only switch the fine-spray system on when you are using it.

- PFS 2000: Check whether the correct nozzle cap is mounted (see “Changing the Nozzle Cap”, page 18).
- Plug the mains plug into a socket outlet.
- Grasp the spray gun by the handle and point it at the spray surface.
- Slide the On/Off switch **20** forwards.
- Pull the trigger switch **6** on the spray gun.

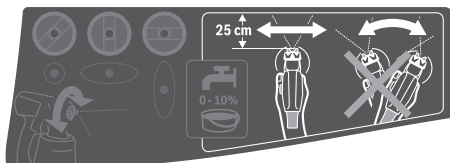
Note: Air always flows out at the air cap **2** when the base unit is switched on.

Switching Off

- Let go of the trigger switch **6** and slide the On/Off switch **20** backwards.
- Pull the mains plug from the socket outlet.

Working Advice

Spraying (see figure F)



Note: Observe the wind direction when operating the power tool outdoors.

- Firstly, carry out a test-spray run and adjust the spray pattern and the spray material quantity according to the spray material. (For adjustments, see the following sections)
- Be absolutely sure to hold the spray gun at a consistent distance of 20 – 25 cm perpendicular to the spray object.
- Begin the spraying procedure outside the target area.
- Bewegen Sie die Sprühpistole je nach Sprühbild-Einstellung gleichmäßig waagrecht oder senkrecht. Eine gleichmäßige Oberflächenqualität entsteht, wenn sich die Bahnen um 4 – 5 cm überlappen.
- When spraying horizontal objects or spraying overhead, hold the spray gun at a slight angle and back away from the sprayed surface.

Risk of stumbling! Pay attention to possible obstacles in the room.

- Avoid interruptions within the spray surface. Guiding the spray gun evenly will provide uniform surface quality.

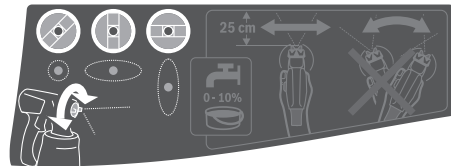
Non-uniform clearance and spray angle lead to heavy formation of paint mist and thus to an uneven surface.

- End the spraying procedure outside the target area.

Never completely empty the container for the spray material by spraying. If the suction tube is no longer immersed in the spray material, the spray jet will be interrupted and this will result in an inconsistent surface.

If the spray material settles on the nozzle cap and air cap, clean both parts with the diluting agent used.

Adjusting the Spray Pattern



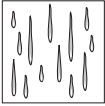
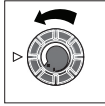

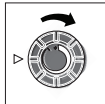
- ▶ **Never actuate the trigger switch **6** while adjusting the air cap **2**.**
- Turn the air cap **2** to the requested position.

Air cap	Spray jet pattern	Application
		Horizontal flat jet for vertical working direction
		Vertical flat jet for horizontal working direction
		Round jet for corners, edges and hard to reach locations

20 | English

Adjusting the Spraying Capacity (see figure G)**(PAINT)Volume)**

- To adjust the requested spraying capacity, turn the thumbwheel **5**:
 - : Min. spraying capacity,
 - +: Max. spraying capacity.

Spraying capacity	Adjustment
<p>Too much material on target area:</p>  	<p>The spraying capacity must be reduced.</p> <ul style="list-style-type: none"> - Turn the thumbwheel 5 in direction -.
<p>Not enough material on target area:</p>  	<p>The spraying capacity must be increased.</p> <ul style="list-style-type: none"> - Turn the thumbwheel 5 in direction +.

Dampening wallpaper

To make it easier to remove old wallpaper, you can spray warm water on the wallpaper (max. 55 °C). Use the grey nozzle cap **8** to do so.

Work Breaks and Transport (see figures H – I)

A carrying handle **21** and a carrying strap **22** are fitted to the base unit to enable easy transport of the fine-spray system.

You can hang the base unit **19** across your shoulder during work using the carrying strap **22**.

The spray gun **1** can be put down on a flat work surface during breaks. No spray material can leak out.

- ▶ **Always put the spray gun upright on a flat surface when it is filled with spray material.** Spray material can leak out from a spray gun if it is lying down.

Maintenance and Service**Maintenance and Cleaning**

- ▶ **Before any work on the machine itself, pull the mains plug.**
- ▶ **Thoroughly clean the individual parts of the fine-spray system after each use, especially all paint-carrying components.** Proper cleaning is a prerequisite for faultless and safe operation of the spray gun. No warranty claims will be accepted if cleaning has not been done at all or has not been done properly.

If the replacement of the supply cord is necessary, this has to be done by Bosch or an authorized Bosch service agent in order to avoid a safety hazard.

Cleaning the Air Filter (see figure J)

The air filter **26** must be cleaned occasionally. The air filter must be replaced if it is heavily soiled.

- Open the air filter cover **23**.

- Remove the air filter **26**.
- Light soiling: Tap the air filter **26** to empty it.
or
Heavy soiling: Clean the air filter **26** under running water and then leave it dry thoroughly to prevent mould from forming.
or
Replace the air filter **26**.
- Reinsert the air filter.
- Close the air filter cover **23** again.

Cleaning the Fine-spray System (see figure K)

Always clean the spray gun and the container with the respective diluting agent (paint thinner or water) for the spray material being used.

Never clean the nozzle and air holes in the spray gun with pointed objects.

- Switch the base unit **19** off.
- Remove the air hose **17** both from the base unit **19** and from the spray gun **1** (quarter turn of the bayonet lock **18** counterclockwise; pull the bayonet lock **18** out of the port **4/24**).
- Clean the base unit if necessary with a cloth moistened with diluting agent and then remove the base unit **19** and the air hose **17** from the immediate cleaning environment.
- Press the trigger switch **6** on the spray gun so that the spray material can flow back into the container.
- Unscrew the container **7** and empty the remaining spray material back into the original spray material.
- Fill the container **7** halfway with the diluting agent (solvent or water) and fit it to the spray gun **1** again.
- Shake the spray gun several times.
- Unscrew the container **7** and empty the container completely into an empty material tin.
- Remove the union nut **3**, the air cap **2**, the gasket **11**, the nozzle cap used **9/8** with the O-ring **10** and the suction tube **12** with the container seal **14**.
When doing so, ensure that the O-ring **10** remains on the nozzle cap.
- Clean all paint-carrying parts in a bucket with diluting agent using a standard washing-up brush.
Also clean the paint channel **16** of the spray gun **1**.
- Check if the suction tube **12** and the container seal **14** are free of spray material and undamaged.
If required, clean the container seal **14** again with diluting agent.
Clean the ventilation hole **15** using a suitable object.
- Clean the outside of the container and the spray gun with a cloth moistened in paint thinner.
- Before mounting, allow all components to dry thoroughly.
- Reassemble the fine-spray system in reverse order.
Slide the container seal **14** upward again into the groove of the suction tube **12**.
Ensure that the container seal is positioned precisely all around in the suction tube groove in order to seal the spray gun correctly.
Make sure that you slide the suction tube **12** all the way back onto the paint channel **16**.

Material Disposal

Diluting agent and remainders of spray material must be disposed of in an environmentally-friendly manner. Observe the manufacturer's disposal information and the local regulations for disposal of hazardous waste.

Chemicals harmful to the environment may not be disposed of into soil, groundwater or bodies of water. Never pour chemicals harmful to the environment into the sewerage system!

Storage

- Before putting the fine-spray system into storage, thoroughly clean the fine-spray system and allow all parts to dry completely before assembling them.

Correction of Malfunctions

Problem	Cause	Corrective Measure
Spray material does not cover properly	Spraying capacity too low	Turn thumbwheel 5 in direction +
	Clearance to target area too large	Reduce spray distance
	Not enough spray material on target area, too few spray paths sprayed over target area	Apply more spray paths over target area
	Spray material too viscous	Dilute the spray material again and carry out a test-spray run
Spray material runs off after coating	Too much spray material applied	Turn thumbwheel 5 in direction -
	Clearance to target area too close	Increase spray distance
	Viscosity of spray material too low	Add original spray material
	Spray material applied too often over same spot	Remove spray material; reduce number of spray paths over same spot
Atomisation too coarse	Spraying capacity too high	Turn thumbwheel 5 in direction -
	PFS 2000: White nozzle cap 9 mounted (nozzle diameter too large)	Mount the grey nozzle cap 8
	Nozzle needle 13 soiled	Clean nozzle needle
	Spray material too viscous	Dilute the spray material again and carry out a test-spray run
	Air filter 26 heavily soiled	Changing the Air Filter
Excessive paint mist	Too much spray material applied	Turn thumbwheel 5 in direction -
	Clearance to spray surface too large	Reduce spray distance
Spray jet pulsates	Not enough spray material in container	Refill spray material
	Ventilation hole 15 on suction tube 12 clogged	Clean the suction tube and the ventilation hole
	Suction tube 12 loose	Slide the suction tube all the way onto the paint channel 16
	Nozzle cap 9/8 loose	Tighten the nozzle cap 9/8
	Air filter 26 heavily soiled	Changing the Air Filter
	Spray material too viscous	Dilute the spray material again and carry out a test-spray run
Spray material dripping at the nozzle cap	Deposit of spray material on the nozzle cap 9/8 , the nozzle needle 13 and the air cap 2	Clean the nozzle cap, nozzle needle and air cap
	Nozzle cap 9/8 loose	Tighten the nozzle cap 9/8
No spray material coming out of the nozzle cap	Suction tube 12 loose	Slide the suction tube all the way onto the paint channel 16
	Nozzle needle 13 clogged	Clean nozzle needle
	Suction tube 12 clogged	Clean suction tube
	Ventilation hole 15 on suction tube 12 clogged	Clean the suction tube and the ventilation hole
	Container seal 14 missing or damaged	Slide a (new) container seal over the suction tube into the groove
	Spray material too viscous	Dilute the spray material again and carry out a test-spray run
	Spray material dirty (lumps of paint)	Completely empty and clean the spray gun; pour the spray material through the filling sieve when filling