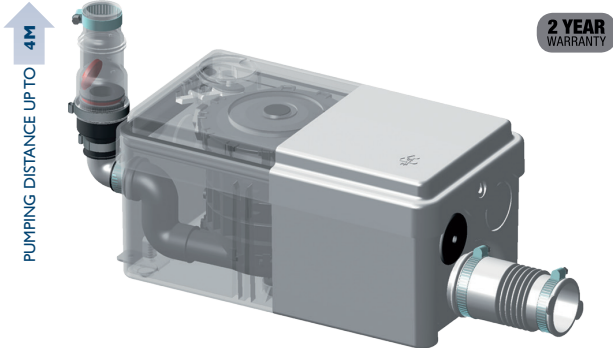


SANISHOWER

SA 94

The low profile design enables the SANISHOWER to be integrated under a shower tray or discreetly into a cabinet. Perfect for installing a shower and vanity.



PUMPING DISTANCE UP TO 40M



POSSIBLE CONNECTIONS

Shower, vanity basin

VERTICAL PUMPING HEIGHT

Up to 4m

HORIZONTAL PUMPING DISTANCE

Up to 40m (refer to pumping graph below)

RECOMMENDED DISCHARGE PIPE DIAMETER

20mm uPVC Pressure Pipe

NORMAL OPERATING TEMPERATURE

35°C and max 40°C for short period of time

ELECTRICAL POWER SUPPLY

220-240V / 50Hz

MOTOR POWER RATING

250W

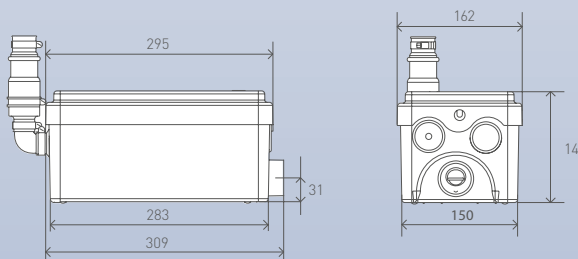
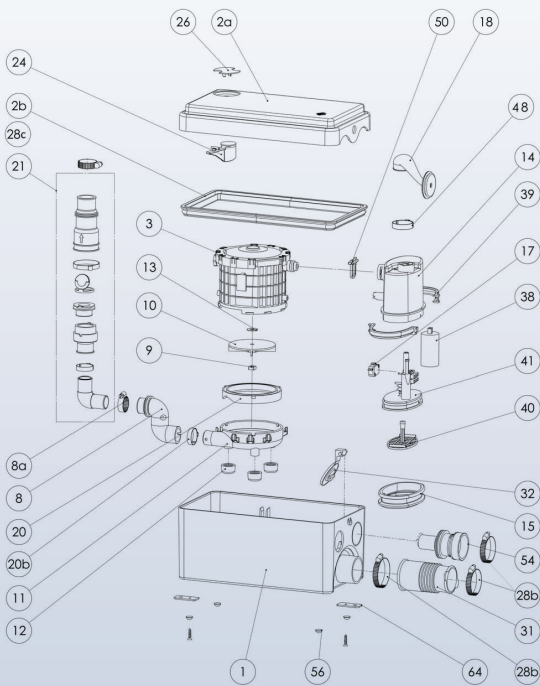
OVERALL MEASUREMENTS (W x H x D)

296 x 145 x 165mm

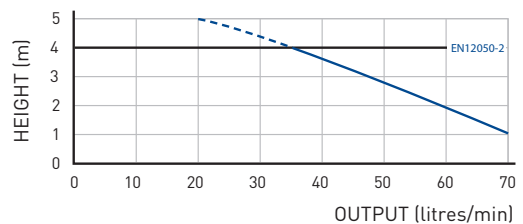
ACCESSORIES

- Factory pre mounted non return valve (supplied) (Isolation valve not supplied)

All horizontal pipework requires a minimum of 1:100 fall



FLOW RATE PERFORMANCE



PUMPING DISTANCE PERFORMANCE

Increase size of horizontal run by one pipe size after 5m

