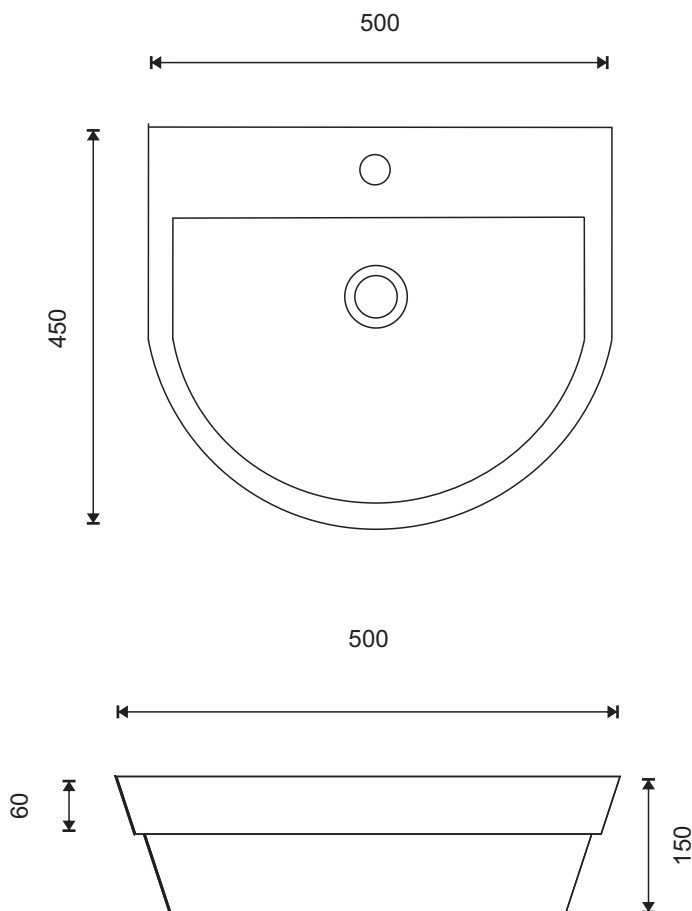




OVALE 500 WALL BASIN



Description :
ceramic basin with overflow.

Model No: S4229

Colour: White

Tap Holes: 1

Waste Outlet: 32mm

Overflow: Internal with polished chrome dress ring

Options: Brass / Chrome Popup 32mm Plug & Waste

Weight: 14kg

Warranty: Refer to Website

Catalogue & technical specifications available at www.azzurra.com.au

Products may vary +/-5mm from those dimensions shown in the illustration