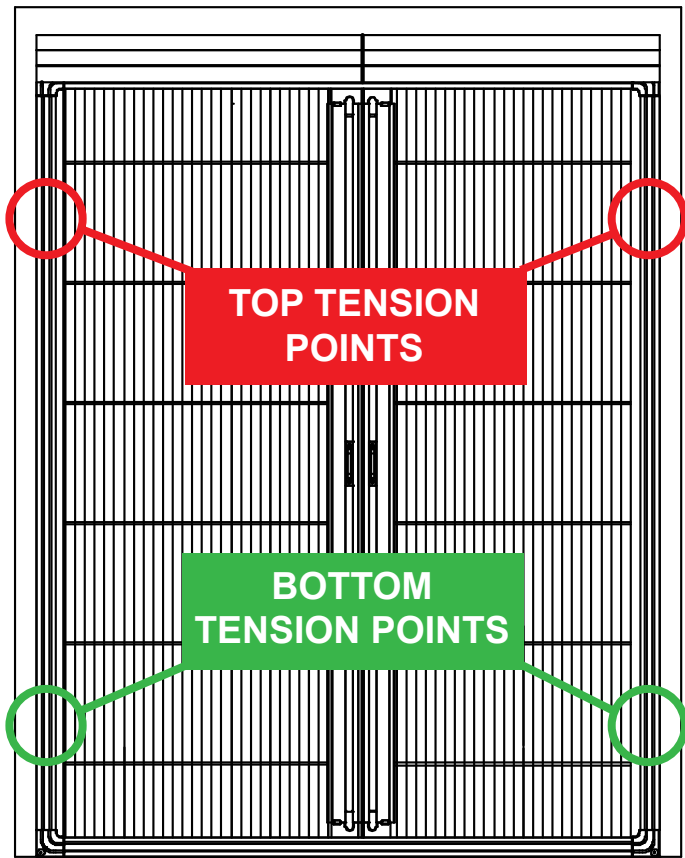


Tropix Pleated Flyscreen Door

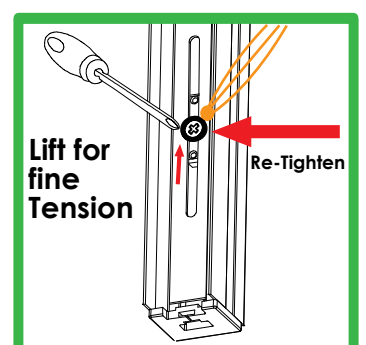
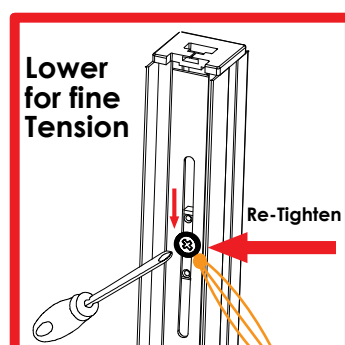
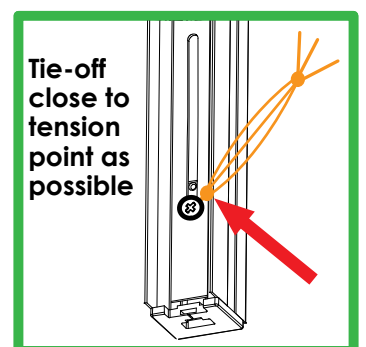
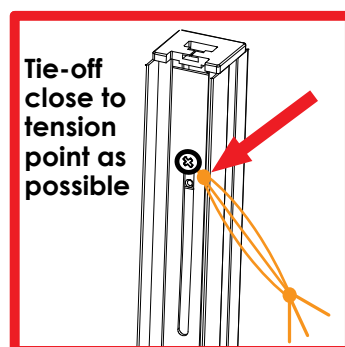
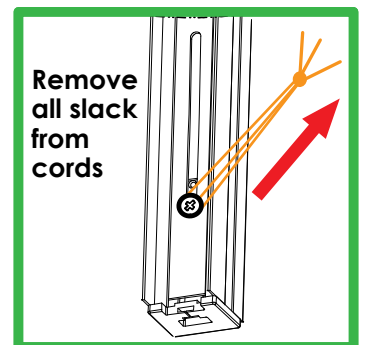
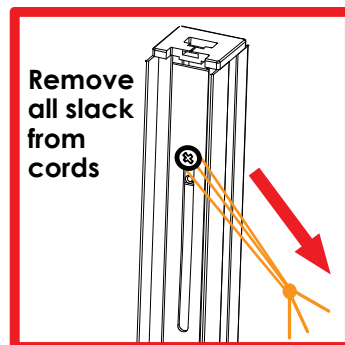
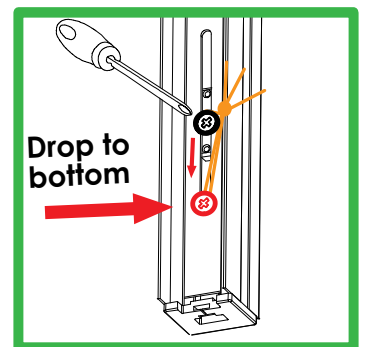
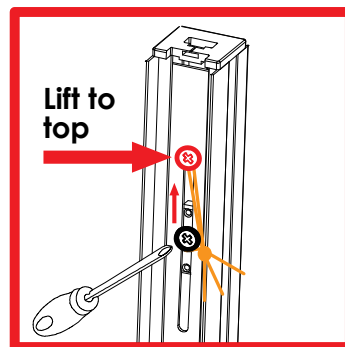
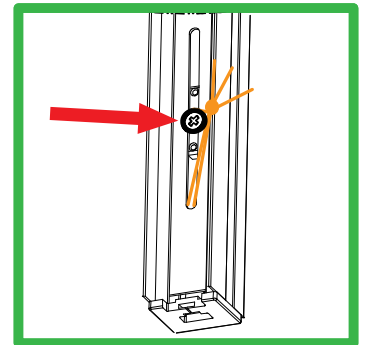
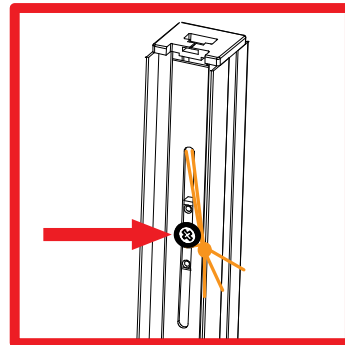
CORD TENSIONING INSTRUCTIONS

Follow these instructions to re-tension door after shortening



TOP TENSION POINTS

BOTTOM TENSION POINTS



Step 1:
Locate all Tension Points (left & right)

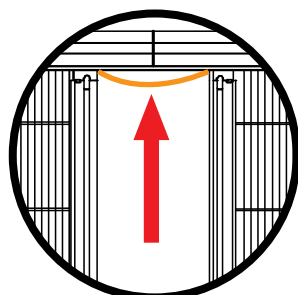
Step 2:
Loosen Tensioner Screw and move to point indicated in diagrams adjacent. Re-Tighten.

Step 3:
With Doors CLOSED, gently pull cords through Tension Points to remove any slack.

Step 4:
Once all cords are taught, tie-off at CLOSEST possible point to Tensioner. DO NOT CUT CORDS.

Step 5:
For finer tension, move Tensioner Screw in direction shown in diagram until enough tension is placed on cords.

If cords continue to sag when door is opened, more tension is required.



Repeat above steps.