

WHITEHAVEN CANTILEVER UMBRELLA

ASSEMBLY GUIDE AND
OPERATING INSTRUCTIONS



MIMOSA CANTILEVER UMBRELLA

WARRANTY CONDITIONS

Any claim under this warranty must be made within 3 years of the date of purchase of the product. To make a claim under the warranty, take the product (with proof of purchase) to any Bunnings store (see www.bunnings.com.au for store locations) or contact Gale Pacific.

Gale Pacific bears reasonable, direct, expenses of claiming under the warranty.

You may submit details and proof to Gale Pacific for consideration. The warranty covers manufacturer defects in materials, workmanship and finish under normal use.

This warranty is provided in addition to other rights and remedies you may have under law: our goods come with guarantees which cannot be excluded under the Australian Consumer Law or Consumer Guarantees Act 1993 (NZ). You are entitled to replacement or refund for a major failure and to compensation for other reasonably foreseeable loss or damage. You are also entitled to have the goods repaired or replaced if the goods fail to be of acceptable quality and the failure does not amount to a major failure.

The warranty excludes damage resulting from product misuse or product neglect.

The warranty covers domestic use only and does not apply to commercial applications.

This warranty is given by Gale Pacific, ABN 80 082 263 778, 145 Woolands Dr Braeside Vic 3195, 1800 331 521, galepacific.com, New Zealand #: 0800 555 171.

WARRANTY EXCLUSIONS

Fading due to weather exposure or damage to the frame and fabric through accident, misuse or negligence. Your umbrella is a non-permanent structure. Always ensure the umbrella is properly weighted down. Damage caused by not following the instructions will void your warranty.



MIMOSA CANTILEVER UMBRELLA

Make the most of your outdoor living area with your very own Mimosa cantilever umbrella. Relax and enjoy the outdoors while being protected from the sun.

The Mimosa powder coated aluminium frame cantilever umbrella is perfect for shading your garden, deck, courtyard or swimming pool.

Safety precautions should always be followed when assembling and using this product to reduce the risk of personal injury and damage to equipment.

Please read all instructions before assembly and use. Never leave children unattended around/under this umbrella.















IMPORTANT

This structure is a non-permanent structure and the warranty does not cover damage incurred under extreme weather conditions including heavy rain, high winds or if exposed to high heat from heaters or BBQs.

Do not attempt to assemble or use the umbrella in moderate or heavy wind conditions. Always close the umbrella and secure it during heavy winds or extreme weather conditions to avoid damage to the umbrella or personal injury.

PARTS LIST

Please check all parts against the parts list before commencing construction of umbrella.

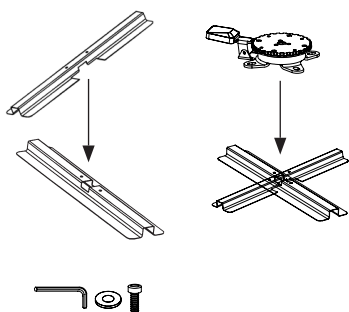
CODE	PART	QTY	CODE	PART	QTY
A	 Cross Base Bottom	1	H	 Frame & Canopy	1
B	 Cross Base Top	1	I	 Crank Handle	1
C	 Lower Pole	1	J	 Screw w/ Plastic Cap	1
D	 360° Swivel System	1	K	 Allen Key	1
E	 M8X14 Screw	4	L	 Plastic Cone	1
F	 M8X20 Screw	4	M	 Stay Pole	1
G	 Washers	8	N	 Cover	1



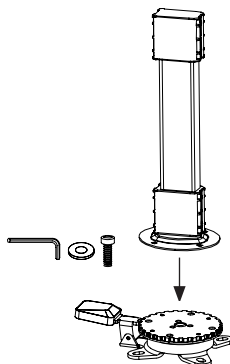
MIMOSA CANTILEVER UMBRELLA

STEP BY STEP INSTRUCTIONS

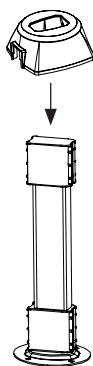
Step 1: Using the allen key (K), take screws (F) and washers (G) to fix the 360 degree swivel system to the cross base.



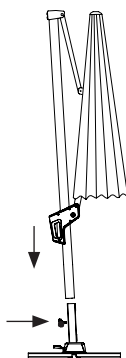
Step 2: Fix the lower pole (C) to the 360 degree swivel system using screws (E) and washers (G).



Step 3: Place the plastic cone (L) over the lower pole and position over the 360 degree swivel system so that the notch for the foot pedal is located correctly and the plastic cone sits straight.



Step 4: Lower the umbrella frame and canopy onto the base ensuring that the screw hole for the screw with plastic cap (J) lines up.

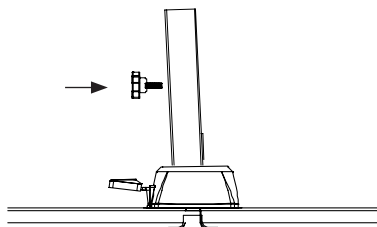




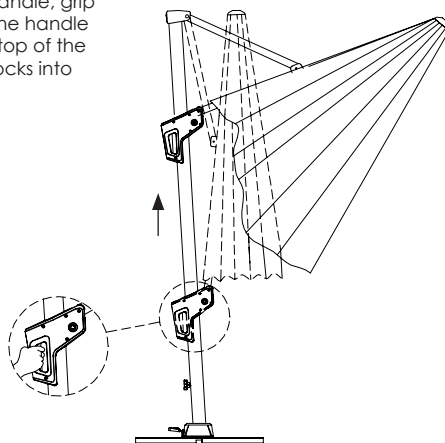
MIMOSA CANTILEVER UMBRELLA

STEP BY STEP INSTRUCTIONS

Step 5: Secure the poles together using the screw with plastic cap (J). Tighten by turning clockwise.



Step 6: Operating the umbrella: Using the easy glide handle, grip the trigger and push the handle upwards towards the top of the umbrella pole until it locks into place.

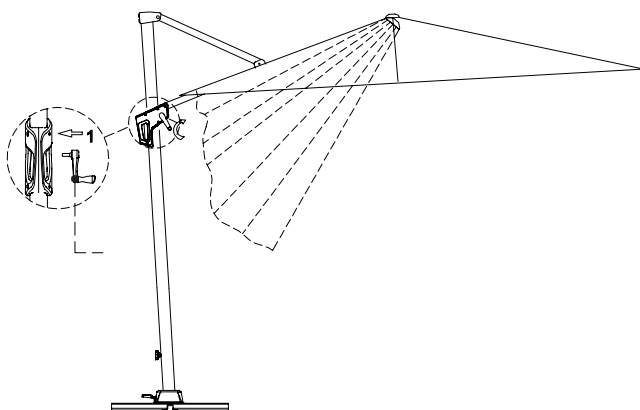




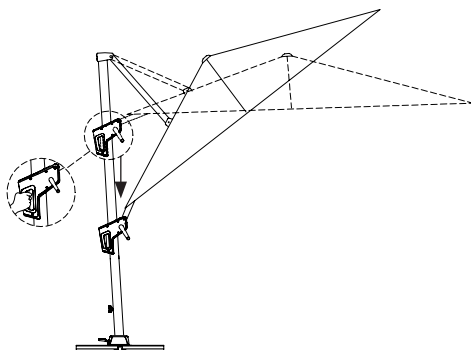
MIMOSA CANTILEVER UMBRELLA

STEP BY STEP INSTRUCTIONS

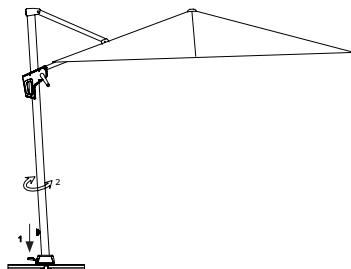
Step 7: Open the umbrella by inserting and winding the rotating crank handle (I).



Step 8: Adjust the angle of the canopy by pulling the trigger and sliding the easy glide handle up and down the post. Lock into desired position.



Step 9: The umbrella can be rotated 360 degrees by stepping on the foot pedal and rotating the umbrella pole to the preferred locking position.

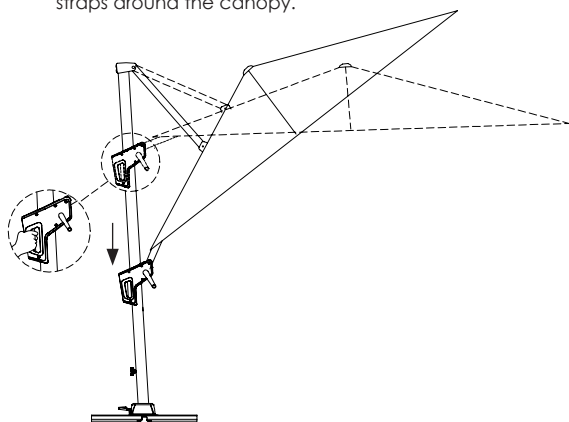




MIMOSA CANTILEVER UMBRELLA

STEP BY STEP INSTRUCTIONS

Step 10: To close the umbrella, wind the canopy down with the crank handle. Move the easy glide handle to the bottom position and wrap the velcro straps around the canopy.



Step 11: Extend the stay pole and insert it into the hem of the umbrella cover. With the cover unzipped, use the stay pole to position the cover over the closed umbrella. Use the string to close the zip over the canopy.

* Ensure canopy is closed when not in use. Close in windy conditions or when a storm approaches. Never allow the umbrella to flap in the wind; this could damage the canopy.



