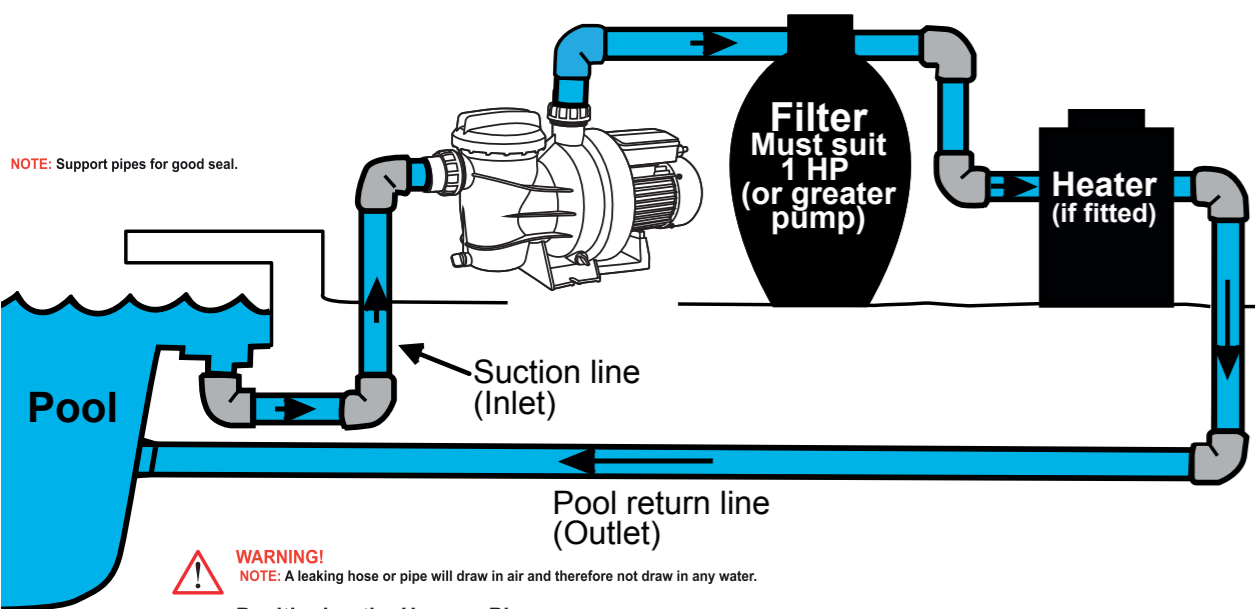


INSTALLATION



Positioning the Hose or Pipe

The pump is positioned between the pool and the filter, water is drawn from the pool into the pump, the water is then extracted from the pump and through the filter before returning back to the pool

TROUBLESHOOTING

Possible faults

- Pump does not prime
- Low flow rate
- Pump makes loud noise
- Pump does not start
- Motor makes noise but does not start pumping water

POSSIBLE FAULTS					CAUSES	SOLUTIONS
1	2	3	4	5		
X	X				Air leak	Verify sealing of connectors and seals
X					Bad sealing filter cover	Clean the filter cover and verify the seals
X	X				Excessive suction height	Set pump at a suitable level
X	X		X		Incorrect voltage	Verify the voltage specified on the rating label and that of the mains power
X					No water in prefilter	Fill prefilter with water
	X				Filter clogged	Clean filter
	X				Discharge clogged	Inspect filter and discharge line
		X			Incorrect pump attachment	Attach pump correctly
		X			Debris in filter basket	Clean pump and inspect the filter
			X		No power	Reset the fuses
				X	Motor blocked	Call Ozito Customer Service

ELECTRICAL SAFETY

WARNING! When using mains-powered tools, basic safety precautions, including the following, should always be followed to reduce risk of fire, electric shock, personal injury and material damage. Read and understand the manual prior to operating this pump. Save these instructions and other documents supplied with this pump for future reference. The electric motor has been designed for 230V and 240V only. Always check that the power supply corresponds to the voltage on the rating plate.
Note: The supply of 230V and 240V on Ozito pumps are interchangeable for Australia and New Zealand. This pump is earthed in accordance with AS/NZS 60335-2-41.
Note: The power outlet used for the water pump must be protected by a 30mA residual current device or

earth leakage circuit breaker. If the power outlet is external, ensure that it is weather proof. If the supply cord is damaged, it must be replaced by an electrician or a power tool repairer to avoid a hazard. The water pump has a built-in thermal protection overload switch. The water pump stops if an overload occurs. The motor restarts automatically after it has cooled down.
Using an Extension Lead
Always use an approved extension lead suitable for the power input of this product. Before use, inspect the extension lead for signs of damage, wear and ageing. Replace the extension lead if damaged or defective. Then using an extension lead on a reel, always unwind the lead completely. Use of an extension lead not suitable for the power input of this product or which is damaged or defective may result in a risk of fire and electric shock.

GENERAL SAFETY WARNINGS

WARNING! Read all safety warnings and all instructions. Failure to follow the warnings and instructions may result in electric shock, fire and/or serious injury. Save these instructions

- Work area safety**
 - Keep work area clean and well lit. Cluttered or dark areas invite accidents.
 - Do not operate pumps in explosive atmospheres, such as in the presence of flammable liquids, gases or dust. Pumps create sparks which may ignite the dust or fumes.
 - Keep children and bystanders away while operating a pump. Distractions can cause you to lose control.
- Electrical safety**
 - Pump plugs must match the outlet. Never modify the plug in any way. Do not use any adapter plugs with earthed (grounded) pumps. Unmodified plugs and matching outlets will reduce risk of electric shock.
 - Avoid body contact with earthed or grounded surfaces, such as pipes, radiators, ranges and refrigerators. There is an increased risk of electric shock if your body is earthed or grounded.
 - Do not abuse the cord. Never use the cord for carrying, pulling or unplugging the pump. Keep cord away from heat, oil, sharp edges or moving parts. Damaged or entangled cords increase the risk of electric shock.
 - When operating a pump, use an extension cord suitable for wet conditions. Use of a cord suitable for wet use reduces the risk of electric shock.
 - If operating a pump, use a residual current device (RCD) protected supply. Use of an RCD reduces the risk of electric shock.
- Personal safety**
 - Stay alert, watch what you are doing and use common sense when operating a pump. Do not use

a pump while you are tired or under the influence of drugs, alcohol or medication. A moment of inattention while operating a pump may result in serious personal injury.

- Avoid accidental starting. Ensure the switch is in the off position before plugging in. Carrying pump with your finger on the switch or plugging in pumps that have the switch on invites accidents.
- Avoid body contact with earthed or grounded surfaces such as pipes, radiators, ranges and refrigerators. There is an increased risk of electric shock if your body is earthed or grounded.
- When operating a pump outdoors, use an extension cord suitable for outdoor use. Use of a cord suitable for outdoor use reduces the risk of electric shock.

- Pump use and care**
 - Disconnect the plug from the power source before making any adjustments, changing accessories or storing pumps. Such preventive safety measures reduce the risk of starting the pump accidentally.
 - Maintain pumps. Check for misalignment or binding of moving parts, breakage of parts and any other condition that may affect the pumps operation. If damaged, have the pump repaired before use. Many accidents are caused by poorly maintained pumps.
 - Use the pump, and accessories etc., in accordance with these instructions and in the manner intended for the particular type of pump, taking into account the working conditions and the work to be performed. Use of the pump for operations different from intended could result in a hazardous situation.
- Service**
 - Have your pump serviced by a qualified repair person using only identical replacement parts. This will ensure that the safety of the pump is maintained.
 - If the supply cord is damaged, it must be replaced by the manufacturer, its service agent or similarly qualified persons in order to avoid a hazard.

ADDITIONAL SAFETY INSTRUCTIONS FOR PUMPS

WARNING! This product is intended for pumping water in a Home Domestic application. Do not use it for corrosive, abrasive, explosive or dangerous liquids. Fluids other than water will damage the water pump and/or create a fire hazard. Failure to follow all instructions listed below may result in electric shock, fire and/or serious injury.
WARNING! This product is not suitable for use with drinking (potable) water.

! This appliance is not intended for use by person (including children) with reduced physical, sensory or mental capabilities, or lack of experience and knowledge, unless they have been given supervision or instruction concerning use of the appliance by a person responsible for their safety.
Children should be supervised to ensure that they do not play with the appliance.

- Ensure the water pump is disconnected from mains power when installing.
- Do not install or operate the water pump in an explosive environment or near flammable material.
- Do not operate the water pump without liquid.
- Do not run the water pump dry.

WARNING! The water pump together with associated pipework operate under pressure. Do not disconnect water pump or pipework until internal pressure has been released. Failure to do this could result in personal injury and damage to property.

- Avoid inserting hands into the inlets/outlets of the water pump while it is connected to power.
- Before using the water pump, always inspect it visually. Do not use the pump if it is cracked and/or damaged. If the water pump is damaged, contact Ozito customer service.
- The water pump has a built-in thermal protection overload switch. The water pump stops if an overload occurs. The motor restarts automatically after it has cooled down.
- The pump must not be used when people are in the water.
- Never work or perform maintenance on the pump without first making sure it has been disconnected from the mains power.
- Pollution of the liquid could occur due to leakage of lubricants. Important: Avoid inserting hands into the mouth of the pump if it is connected to the mains.

The electrical connection must always be made in a dry area. Make sure that electrical connections are protected from inundations.
Protect the plug and the power cable from heat, oil or sharp edges.
If damaged, the power cable must be replaced by a qualified electrician.

SPARE PARTS

Spare parts can be ordered from the Special Orders Desk at your local Bunnings Warehouse. For further information, or any parts not listed here, visit www.ozito.com.au or contact Ozito Customer Service: Australia 1800 069 486 New Zealand 0508 069 486
E-mail: enquires@ozito.com.au
Most common spare parts listed below

Spare Part	Part No
Transparent filter cover	SPSWPP1200-02
O-ring (filter cover)	SPSWPP1200-03
Filter basket	SWPA-001
Connector assembly	SPSWPP1200-11

CARING FOR THE ENVIRONMENT

Power tools that are no longer usable should not be disposed of with household waste but in an environmentally friendly way. Please recycle where facilities exist. Check with your local council authority for recycling advice.

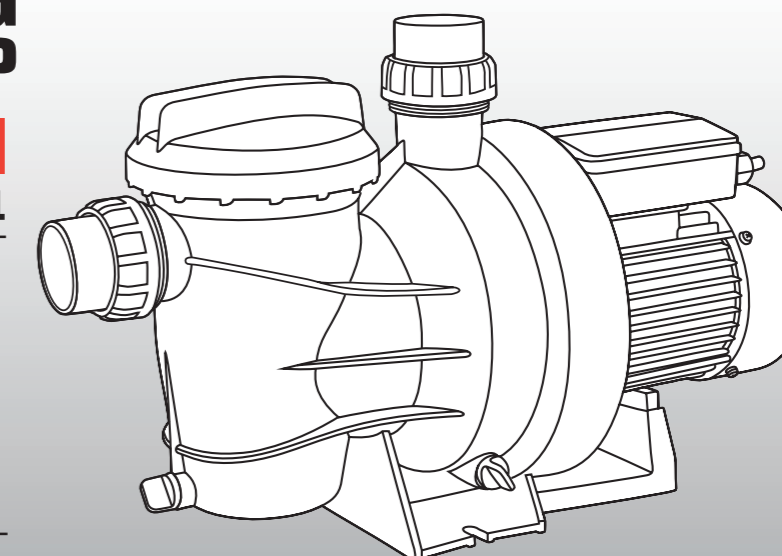
Recycling packaging reduces the need for landfill and raw materials. Reuse of recycled material decreases pollution in the environment. Please recycle packaging where facilities exist. Check with your local council authority for recycling advice.

ozito SWIMMING POOL PUMP

800W INSTRUCTION MANUAL

SPECIFICATIONS

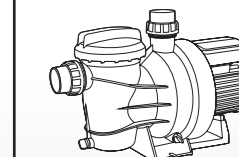
Input Voltage:	230-240V-50Hz
Motor:	800W
Max. Flow Rate:	19,000l/h
Max. Lift:	2.5m
Max. Head:	10.5m
Max. Particle Size:	2.5mm
Water Temperature:	1°C - 35°C
Inlet & Outlet:	57mm (2-1/4")
Coupling:	Suits 40mm PVC Pressure Pipe
Max. Pressure:	1.05 bar
IP Rating:	IPX4
Weight:	10kg



ozito.com.au

3 YEAR REPLACEMENT WARRANTY

WHAT'S IN THE BOX



Swimming Pool Pump



2 x Inlet/Outlet Coupling & Nuts

SWPP-800

WARRANTY

IN ORDER TO MAKE A CLAIM UNDER THIS WARRANTY YOU MUST RETURN THE PRODUCT TO YOUR NEAREST BUNNINGS WAREHOUSE WITH YOUR BUNNINGS REGISTER RECEIPT. PRIOR TO RETURNING YOUR PRODUCT FOR WARRANTY PLEASE TELEPHONE OUR CUSTOMER SERVICE HELPLINE:

Australia 1800 069 486
New Zealand 0508 069 486

TO ENSURE A SPEEDY RESPONSE PLEASE HAVE THE MODEL NUMBER AND DATE OF PURCHASE AVAILABLE. A CUSTOMER SERVICE REPRESENTATIVE WILL TAKE YOUR CALL AND ANSWER ANY QUESTIONS YOU MAY HAVE RELATING TO THE WARRANTY POLICY OR PROCEDURE.

The benefits provided under this warranty are in addition to other rights and remedies which are available to you at law. Our goods come with guarantees that cannot be excluded at law. You are entitled to a replacement or refund for a major failure and for compensation for any other reasonably foreseeable loss or damage. You are also entitled to have the goods repaired or replaced if the goods fail to be of acceptable quality and the failure does not amount to a major failure.

Generally you will be responsible for all costs associated with a claim under this warranty, however, where you have suffered any additional direct loss as a result of a defective product you may be able to claim such expenses by contacting our customer service helpline above.

3 YEAR REPLACEMENT WARRANTY

Your product is guaranteed for a period of **36 months from the original date of purchase** and is intended for DIY (Do It Yourself) use only. If a product is defective it will be replaced in accordance with the terms of this warranty. Warranty excludes consumable parts, for example: O-rings, bearing, seals gaskets.

WARNING

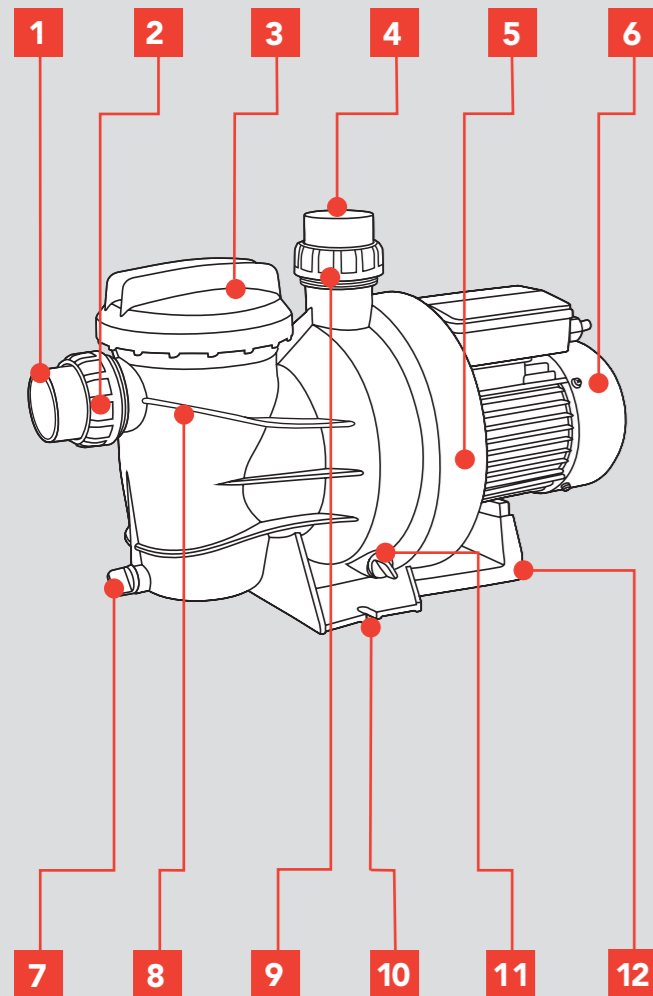
The following actions will result in the warranty being void.

- If the tool has been operated on a supply voltage other than that specified on the tool.
- If the tool shows signs of damage or defects caused by or resulting from abuse, accidents or alterations.
- Failure to perform maintenance as set out within the instruction manual.
- If the tool is disassembled or tampered with in any way.

KNOW YOUR PRODUCT

SWIMMING POOL PUMP

- | | |
|-----------------------------|----------------------|
| 1. Suction Inlet | 7. Filter Drain Plug |
| 2. Inlet Coupling | 8. Filter Basket |
| 3. Transparent Filter Cover | 9. Outlet Coupling |
| 4. Discharge Outlet | 10. Mounting Holes |
| 5. Pump Housing | 11. Pump Drain Plug |
| 6. Motor | 12. Elevated Base |



ONLINE MANUAL

Scan this QR Code with your mobile device to take you to the online manual.



3 YEAR REPLACEMENT WARRANTY

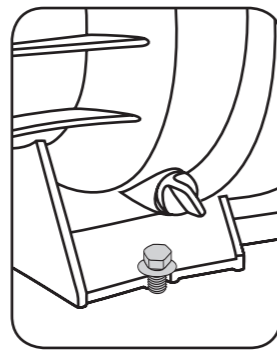
SETUP & PREPARATION

1. SETUP

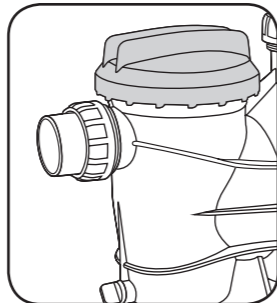
Ensure the pump is disconnected from the power supply before performing any of the following operations.

Your pump requires no assembly before use other than the installation of the inlet/outlet couplings and connection of suitable inlet and outlet pipes (not included).

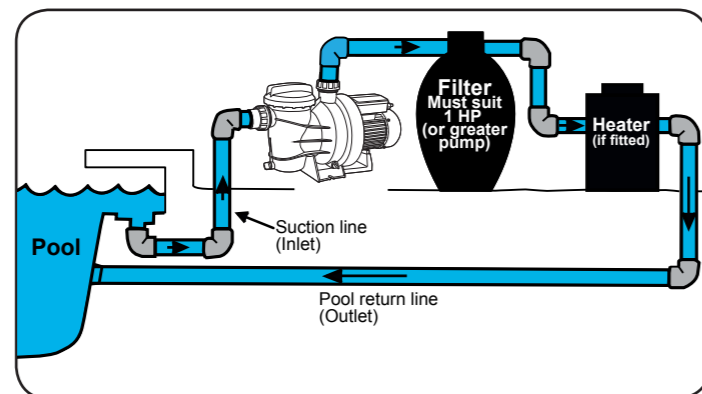
- The pump must be mounted on a firm base and can be bolted to the mounting surface through the 2 mounting holes in the base.



- Make sure the transparent filter cover is accessible so it can be removed (along with the filter basket for cleaning)

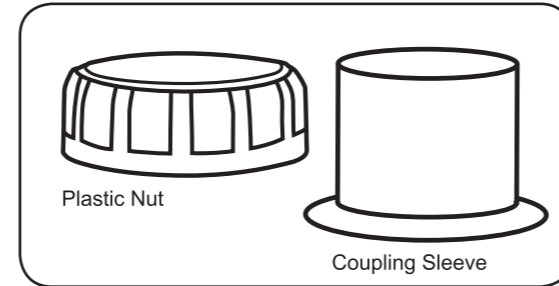


- The pump is positioned between the pool and the filter, water is drawn from the pool into the pump, the water is then extracted from the pump and through the filter before returning back to the pool.

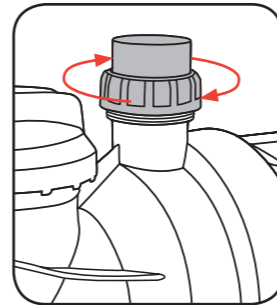


2. INSTALLATION

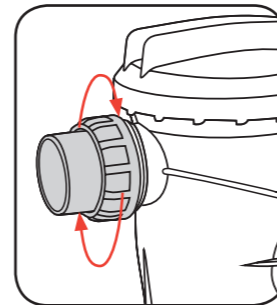
Installation of the Pipe Coupling



- Fit one of the inlet/outlet couplings over the discharge outlet, place one of the plastic nuts over the inlet/outlet coupling sleeve and firmly tighten so that the O-ring is compressed between the pump housing and the plastic nut. This ensures no leakage will occur at this point.



- Fit one of the inlet/outlet couplings over the suction inlet place the other plastic nut over the inlet/outlet coupling sleeve and firmly tighten so that the O-ring is compressed between the pump housing and the plastic nut. This ensures no leakage will occur at this point.



NOTE: It is recommended to install suction and discharge valves (not included) in order to isolate the pump. The use of gate valves, in-line filters and non-return valves is recommended for optimal performance. These are standard accessories and available from Bunnings Warehouse or Pool Pump Retailers.

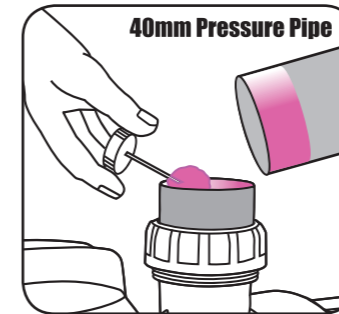
NOTE: Ensure care is taken not to damage the pump or threads when connecting pipes. Support inlet and outlet pipes to avoid damaging the pump and/or threads).

Installation of Pipes

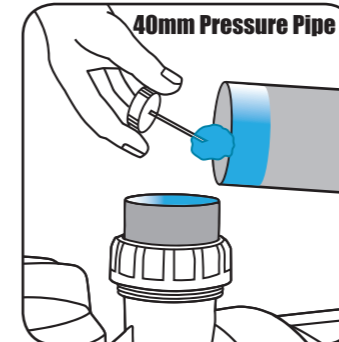
The inner surface of the inlet/outlet coupling is designed to be fitted with 40mm PVC pressure pipe.

To ensure a water tight fit, it is recommended to use PVC glue (not included) to connect the inlet/outlet couplings with the PVC pipe.

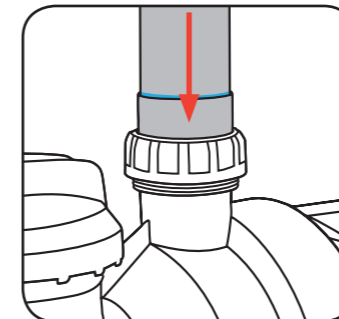
- Clean both the pipe and the inlet/outlet coupling with PVC pipe primer (available from Bunnings Warehouse).



- Apply PVC glue to the surface of the pipe that contacts the inlet/outlet coupling. Also apply glue to the inside of the inlet/outlet coupling



- Now push them together to create a firm connection.



Repeat this process for the Suction Inlet pipe

WARNING: Do not operate the pump for at least 24 hours after gluing to ensure the connections have time to set. Please check the glue manufacturers' recommended times.

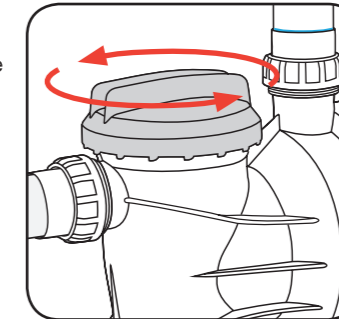
OPERATION

3. OPERATING THE PUMP

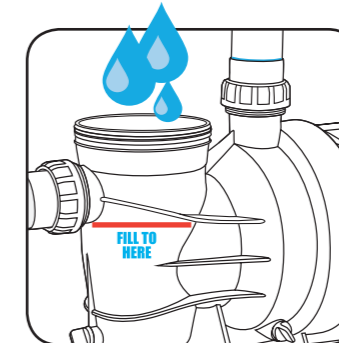
NOTE: This pump must be used with a residual current device with rated residual current of 30mA or less.

NOTE: The pump motor is hard wired to the power cord. This will cause the pump to run continually, once it is plugged into a 240V outlet. The use of a timer is recommended.

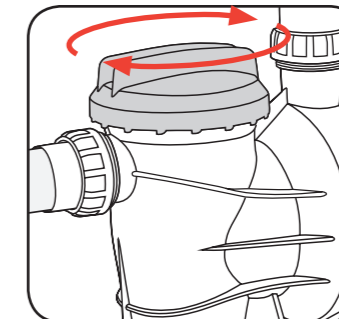
- Open and remove the transparent filter cover by turning it in an anti-clockwise direction.



- Fill the pump with water up to the lower level of the suction inlet. Before closing the transparent filter cover, ensure the pre-filter seal is in place



- Before closing the transparent filter cover, ensure the pre-filter seal is in place. Close the transparent filter cover by turning it in a clockwise direction



- Open all suction and discharge valves connected to the pool system(not included) and turn the pump on at the mains power to self prime the pump

CAUTION! Ensure the transparent filter cover is tightened prior to starting the pump. Failure to do so could cause a water leak and/or air leak in the system.

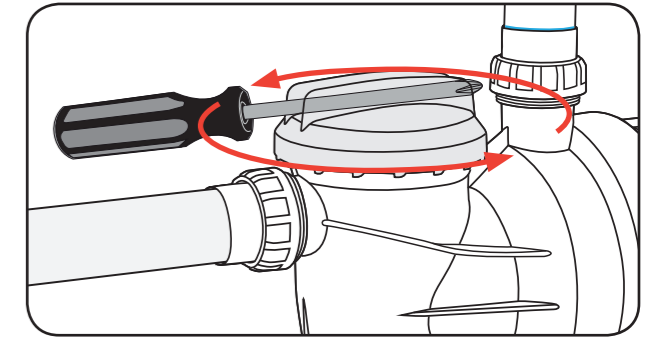
4. MAINTENANCE

Make sure the pump is disconnected from electric power supply before performing maintenance procedures.

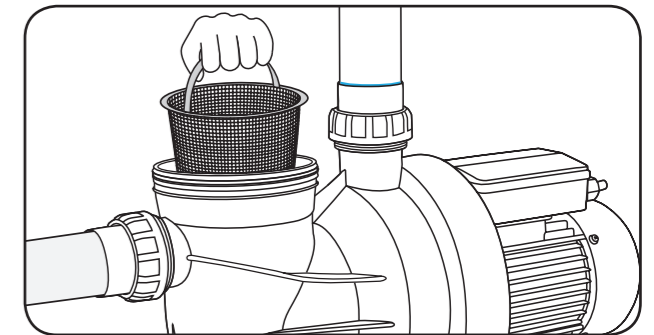
Cleaning the Filter Basket

The filter basket should be cleaned periodically or when foreign matter is visible through the transparent filter cover

- Close the suction and discharge valves connected to the pool system (not included).
- Open and remove the transparent filter cover by turning it in an anti-clockwise direction. The transparent filter cover may be difficult to remove due to a vacuum effect. A strong hand tool such as a long screwdriver can be used as leverage to assist in removing the transparent filter cover.



- Remove the filter basket from the pump.



- Clean the filter basket thoroughly and rinse with water.
- Place the filter basket back in the pump.
- Inspect the pre-filter seal before replacing the transparent filter cover. Ensure that it is not worn or damaged, if damaged, replace the pre-filter seal.
- Close the transparent filter cover by turning it in an anti-clockwise direction. Reconnect the pump to the mains power supply.

Cleaning the Pump Housing

Use a moist cloth to wipe down the pump body. Allow to dry thoroughly before storing.