



MULTISTORE

ASSEMBLY INSTRUCTION FOR MAXI ULTRA H1

WARNING: Serious injury or death can be caused by toppling furniture

Help prevent tip-over:

- Anchor this product to a wall or other suitable surface
- Check anchors regularly
- Avoid placing TVs on top unless the TV is also anchored
- Use drawer locks to prevent children climbing

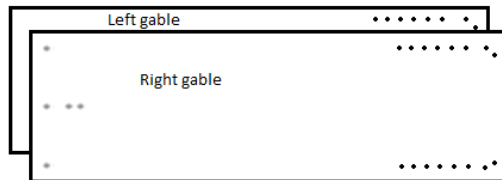


When attaching unit to wall put safety bracket in middle of unit with 16mm pan head screw then 25mm pan head screw into wall. For plasterboard without a stud it is recommended to use a plug with screw (not provided).

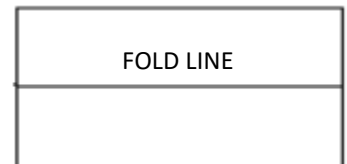


PARTS IDENTIFICATION LIST

1 x L & R GABLE



1 x BACK



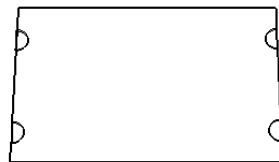
2 x FIXED SHELF



1 x BOTTOM KICK



1 x CAM SHELF



NO	MODEL	DESCRIPTION	QTY	NO	MODEL	DESCRIPTION	QTY
1		CONFIRMAT SCREWS 50mm x 5mm	14	8		WHITE CAMS	4
2		CAPS	14	9		CAM PINS	4
4		BACKING NAILS	75	10		16mm PAN HEAD SCREWS	1
5		16mm WOOD SCREW	2	11		25mm PAN HEAD SCREWS	1
6		30mm HANGING RAIL	1	12		"L" SAFETY BRACKET	1
7		30mm FLANGES—PER SET OF 2	1				



MULTISTORE

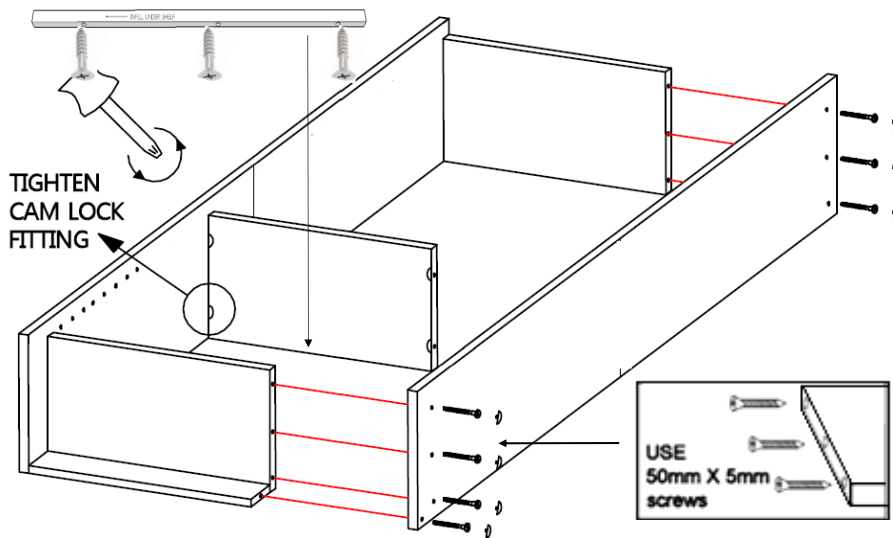


TAKE YOUR GABLES AND LAY THEM OUT FLAT, YOU SHOULD HAVE QTY 2 GABLES L&R .
NEXT STEP REQUIRES YOU TO OPEN PART 2 AND RETREVE THE INFILL & SCREWS.



NEXT STEP:

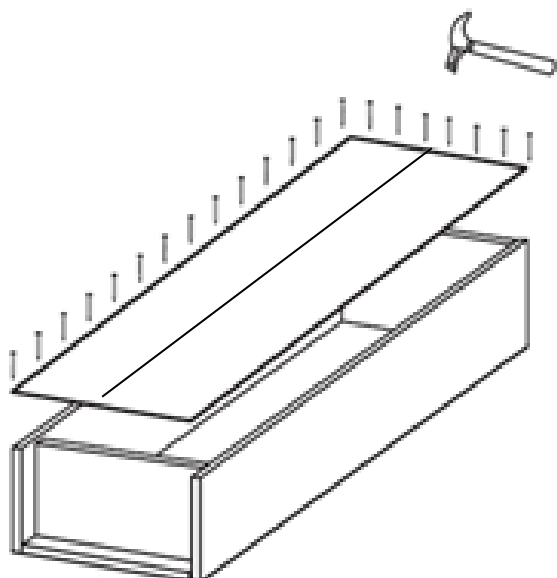
USING 30mm 8 GAUGE SCREWS PROVIDED, ATTACH THE INFILL TO THE FRONT UNDER-SIDE OF THE CAM SHELF BEFORE PUTTING YOUR SHELF INTO PLACE.



INSERT YOUR 4 PINS (9) INTO THE HOLE NO: (8) PROVIDED. INSERT THE CAMS INTO THE HOLES PROVIDED ON THE BOTTOM OF THE SHELF. USING SCREW DRIVER TWIST CAM INTO LOCK POSITION.

MAKE SURE YOU'RE GABLES AND SHELVES, WITH EDGED FRONT FACE DOWN ALIGN YOUR SHELVES AND KICK TO THE LEFT-HAND GABLE, SCREW THEM INTO PLACE ATTACH YOUR RIGHT HAND GABLE AND DO THE SAME.

FOLD OUT THE BACKS, PROCEED TO NAIL INTO POSITION MAKING SURE YOU ARE SQUARE AT ALL TIMES.



NEXT STEP:



TAP INTO POSITION YOUR FLANGES INTO THE HOLES PROVIDED IF YOU WISH YOU CAN SCREW IN 1 SCREW INTO THE MIDDLE OF THE FLANGE AND SLIDE ON YOUR HANGING RAIL.



NEXT STEP:

RETURN TO PART 2 WITH INSTRUCTION ON HOW TO ASSEMBLE YOUR DRAWER.