

GB E P

Operating manual

Instrucciones de uso.....p. 22

Manual de proprietário...p. 44



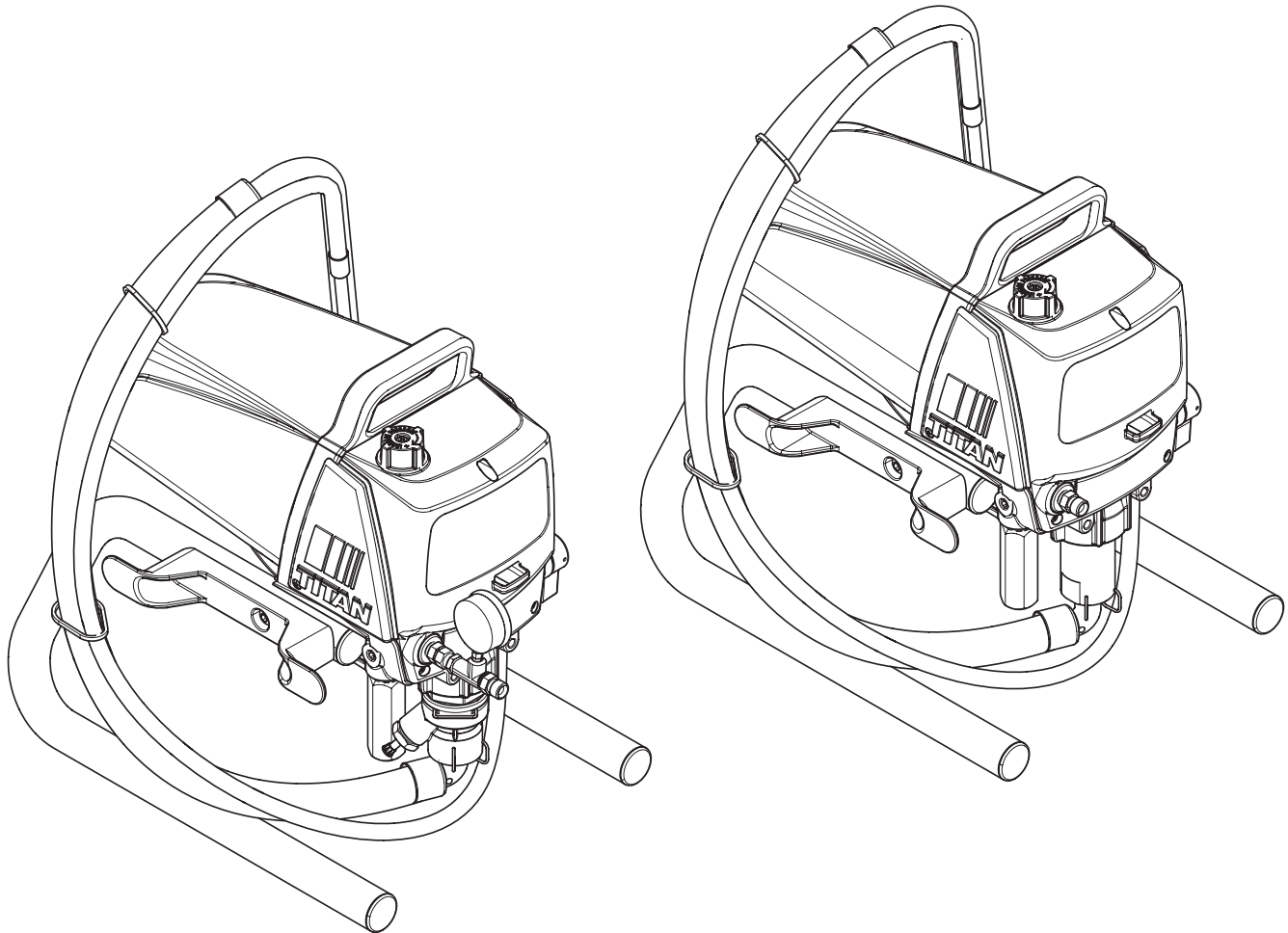
Advanced Performance. Total Reliability.

Performance Series 460e

Airless high-pressure spraying unit

Airless Equipo de alta presión para pulverizar

Unidade de pulverização de alta pressão Airless



Warning!

Attention: Danger of injury by injection!
Airless units develop extremely high spraying pressures.



1

Never put your fingers, hands or any other parts of the body into the spray jet!

Never point the spray gun at yourself, other persons or animals.

Never use the spray gun without safety guard.

Do not treat a spraying injury as a harmless cut. In case of injury to the skin through coating materials or solvents, consult a doctor immediately for quick and expert treatment. Inform the doctor about the coating material or solvent used.

2

The operating instructions state that the following points must always be observed before starting up:

1. Faulty units must not be used.
2. Secure Titan spray gun using the safety catch on the trigger.
3. Ensure that the unit is properly earthed.
4. Check allowable operating pressure of high-pressure hose and spray gun.
5. Check all connections for leaks.

3

The instructions regarding regular cleaning and maintenance of the unit must be strictly observed.

Before any work is done on the unit or for every break in work the following rules must be observed:

1. Release the pressure from spray gun and hose.
2. Secure the Titan spray gun using the safety catch on the trigger.
3. Switch off unit.

Be safety conscious!








Contents

	Page		Page
1. Safety regulations for Airless spraying	2	9. Remedy in case of faults	10
1.1 Explanation of symbols used.....	2	10. Servicing	11
1.2 Electric safety.....	3	10.1 General servicing.....	11
1.3 Electrostatic charging (formation of sparks or flames).....	3	10.2 High-pressure hose.....	11
2. General view of application	4	11. Repairs at the unit	11
2.1 Application.....	4	11.1 Relief valve.....	11
2.2 Coating materials.....	4	11.2 Inlet and outlet valve.....	12
3. Description of unit	4	11.3 Packings.....	13
3.1 Airless process.....	4	11.4 Replacing the motor.....	14
3.2 Functioning of the unit.....	4	11.5 Replacing the gears.....	14
3.3 Legend for explanatory diagram Performance Series 460e....	5	11.6 Replacing the pressure switch / transducer.....	15
3.4 Explanatory diagram Performance Series 460e.....	5	11.7 Resetting the pressure switch timing.....	15
3.5 Technical data.....	6	11.8 Replacing the circuit board.....	16
3.6 Transportation in vehicle.....	6	11.9 Performance Series 460e connection diagram.....	17
4. Starting operation	6	12. Appendix	18
4.1 High-pressure hose, spray gun and separating oil.....	6	12.1 Selection of tip.....	18
4.2 Connection to the mains network.....	7	12.2 Servicing and cleaning of Airless hard-metal tips.....	18
4.3 Cleaning preserving agent when starting-up of operation initially.....	7	12.3 Spray gun accessories.....	18
4.4 Taking the unit into operation with coating material.....	7	12.4 Airless tip table.....	19/20
5. Spraying technique	8	12.5 TR ² Tip table.....	21
6. Handling the high-pressure hose	8	12.6 Additional accessories for 460e.....	21
7. Interruption of work	8	Spare parts lists	66
8. Cleaning the unit (shutting down)	9	Spare parts list for main assembly.....	66
8.1 Cleaning unit from outside.....	9	Spare parts list for suction system.....	67
8.2 Suction filter.....	9	Spare parts list for drive assembly I.....	68
8.3 Cleaning the high-pressure filter.....	9	Spare parts list for drive assembly II.....	70
8.4 Cleaning Airless spray gun.....	10	Spare parts list of stand.....	72
		Warranty	73

1. Safety regulations for Airless spraying

1.1 Explanation of symbols used

This manual contains information that must be read and understood before using the equipment. When you come to an area that has one of the following symbols, pay particular attention and make certain to heed the safeguard.

	This symbol indicates a potential hazard that may cause serious injury or loss of life. Important safety information will follow.
 Attention	This symbol indicates a potential hazard to you or to the equipment. Important information that tells how to prevent damage to the equipment or how to avoid causes of minor injuries will follow.
	Danger of skin injection
	Danger of fire from solvent and paint fumes
	Danger of explosion from solvent, paint fumes and incompatible materials
	Danger of injury from inhalation of harmful vapors
	Notes give important information which should be given special attention.



HAZARD: INJECTION INJURY

Attention: Danger of injury by injection! A high pressure stream produced by this equipment can pierce the skin and underlying tissues, leading to serious injury and possible amputation.

Do not treat a spraying injury as a harmless cut. In case of injury to the skin through coating materials or solvents, consult a doctor immediately for quick and expert treatment. Inform the doctor about the coating material or solvent used.

PREVENTION:

- NEVER aim the gun at any part of the body.
- NEVER allow any part of the body to touch the fluid stream. DO NOT allow body to touch a leak in the fluid hose.
- NEVER put your hand in front of the gun. Gloves will not provide protection against an injection injury.
- ALWAYS lock the gun trigger, shut the fluid pump off and release all pressure before servicing, cleaning the tip guard, changing tips, or leaving unattended. Pressure will not be released by turning off the engine. The PRIME/SPRAY valve or pressure bleed valve must be turned to their appropriate positions to relieve system pressure.
- ALWAYS keep tip guard in place while spraying. The tip guard provides some protection but is mainly a warning device.
- ALWAYS remove the spray tip before flushing or cleaning the system.
- NEVER use a spray gun without a working trigger lock and trigger guard in place.

- All accessories must be rated at or above the maximum operating pressure range of the sprayer. This includes spray tips, guns, extensions, and hose.



HAZARD: HIGH PRESSURE HOSE

The paint hose can develop leaks from wear, kinking and abuse. A leak can inject material into the skin. Inspect the hose before each use.

PREVENTION:

- High-pressure hoses must be checked thoroughly before they are used.
- Replace any damaged high-pressure hose immediately.
- Never repair defective high-pressure hoses yourself!
- Avoid sharp bends and folds: the smallest bending radius is about 20 cm.
- Do not drive over the high-pressure hose. Protect against sharp objects and edges.
- Never pull on the high-pressure hose to move the device.
- Do not twist the high-pressure hose.
- Do not put the high-pressure hose into solvents. Use only a wet cloth to wipe down the outside of the hose.
- Lay the high-pressure hose in such a way as to ensure that it cannot be tripped over.



Only use Titan original-high-pressure hoses in order to ensure functionality, safety and durability.



HAZARD: EXPLOSION OR FIRE

Solvent and paint fumes can explode or ignite. Severe injury and/or property damage can occur.

PREVENTION:

- Do not use materials with a flashpoint below 38° C (100° F). Flashpoint is the temperature at which a fluid can produce enough vapors to ignite.
- Do not use the unit in work places which are covered by the explosion protection regulations.
- Provide extensive exhaust and fresh air introduction to keep the air within the spray area free from accumulation of flammable vapors.
- Avoid all ignition sources such as static electricity sparks, electrical appliances, flames, pilot lights, hot objects, and sparks from connecting and disconnecting power cords or working light switches.
- Do not smoke in spray area.
- Place sprayer sufficient distance from the spray object in a well ventilated area (add more hose if necessary). Flammable vapors are often heavier than air. Floor area must be extremely well ventilated. The pump contains arcing parts that emit sparks and can ignite vapors.
- The equipment and objects in and around the spray area must be properly grounded to prevent static sparks.
- Use only conductive or earthed high pressure fluid hose. Gun must be earthed through hose connections.
- Power cord must be connected to a grounded circuit (electric units only).
- Always flush unit into separate metal container, at low pump pressure, with spray tip removed. Hold gun firmly against side of container to ground container and prevent static sparks.

- Follow material and solvent manufacturer's warnings and instructions. Be familiar with the coating material's MSDS sheet and technical information to ensure safe use.
- Use lowest possible pressure to flush equipment.
- When cleaning the unit with solvents, the solvent should never be sprayed or pumped back into a container with a small opening (bunghole). An explosive gas/air mixture can arise. The container must be earthed.



HAZARD: HAZARDOUS VAPORS

Paints, solvents, and other materials can be harmful if inhaled or come in contact with body. Vapors can cause severe nausea, fainting, or poisoning.

PREVENTION:

- Wear respiratory protection when spraying. Read all instructions supplied with the mask to be sure it will provide the necessary protection.
- All local regulations regarding protection against hazardous vapors must be observed.
- Wear protective eyewear.
- Protective clothing, gloves and possibly skin protection cream are necessary for the protection of the skin. Observe the regulations of the manufacturer concerning coating materials, solvents and cleaning agents in preparation, processing and cleaning units.



HAZARD: GENERAL

This product can cause severe injury or property damage.

PREVENTION:

- Follow all appropriate local, state, and national codes governing ventilation, fire prevention, and operation.
- Pulling the trigger causes a recoil force to the hand that is holding the spray gun. The recoil force of the spray gun is particularly powerful when the tip has been removed and a high pressure has been set on the airless pump. When cleaning without a spray tip, set the pressure control knob to the lowest pressure.
- Use only manufacturer authorized parts. User assumes all risks and liabilities when using parts that do not meet the minimum specifications and safety devices of the pump manufacturer.
- ALWAYS follow the material manufacturer's instructions for safe handling of paint and solvents.
- Clean up all material and solvent spills immediately to prevent slip hazard.
- Wear ear protection. This unit can produce noise levels above 85 dB(A).
- Never leave this equipment unattended. Keep away from children or anyone not familiar with the operation of airless equipment.
- Do not spray on windy days.
- The device and all related liquids (i.e. hydraulic oil) must be disposed of in an environmentally friendly way.

1.2 Electric Safety

Electric models must be earthed. In the event of an electrical short circuit, earthing reduces the risk of electric shock by providing an escape wire for the electric current. This product is equipped with a cord having an earthing wire with an appropriate earthing plug. Connection to the mains only through a special feed point, e.g. through an error protection installation with INF < 30 mA.



DANGER — Work or repairs at the electrical equipment may only be carried out by a skilled electrician. No liability is assumed for incorrect installation. Switch the unit off. Before all repair work, unplug the power plug from the outlet.

Danger of short-circuits caused by water ingressing into the electrical equipment. Never spray down the unit with high-pressure or high-pressure steam cleaners.

Work or repairs at the electrical equipment:

These may only be carried out by a skilled electrician. No liability is assumed for incorrect installation.

1.3 Electrostatic charging (formation of sparks or flames)



Electrostatic charging of the unit may occur during spraying due to the flow speed of the coating material. These can cause sparks and flames upon discharge. The unit must therefore always be earthed via the electrical system. The unit must be connected to an appropriately-grounded safety outlet.

An electrostatic charging of spray guns and the high-pressure hose is discharged through the high-pressure hose. For this reason the electric resistance between the connections of the high-pressure hose must be equal to or lower than 1 MΩ.

2. General view of application

2.1 Application

The unit performance is conceived so that its use is possible on building sites for small- to middle-area dispersion work.

Examples of objects of spraying

The sprayer is able for all common varnishing jobs like doors, door frames, balustrades, furniture, woodencladding, fences, radiators (heating) and steel parts.

2.2 Coating materials

Processible coating materials



Pay attention to the Airless quality of the coating materials to be processed.

Dilutable lacquers and paints or those containing solvents, two-component coating materials, dispersions, latex paints, release agents, oils, undercoats, primers, and fillers.

No other materials should be used for spraying without TITAN's approval.

Filtering

Despite suction filter and insertion filter in the spray gun, filtering of the coating material is generally advisable.

Stir coating material before commencement of work.



Attention: Make sure, when stirring up with motor-driven agitators that no air bubbles are stirred in. Air bubbles disturb when spraying and can, in fact, lead to interruption of operation.

Viscosity

With this unit it is possible to process highly viscous coating materials of up to around 20.000 MPa-s.

If highly viscous coating materials cannot be taken in by suction, they must be diluted in accordance with the manufacturer's instructions.

Two-component coating material

The appropriate processing time must be adhered to exactly. Within this time rinse through and clean the unit meticulously with the appropriate cleaning materials.

Coating materials with sharp-edged additional materials

These have a strong wear and tear effect on valves, high-pressure hose, spray gun and tip. The durability of these parts can be reduced appreciably through this.

3. Description of unit

3.1 Airless process

The main areas of application are thick layers of highly viscous coating material for large areas and a high consumption of material. A piston pump takes in the coating material by suction and conveys it to the tip. Pressed through the tip at a pressure of up to a maximum of 207 bar (20.7 MPa), the coating material is atomised. This high pressure has the effect of micro fine atomisation of the coating material.

As no air is used in this process, it is described as an AIRLESS process.

This method of spraying has the advantages of finest atomisation, cloudless operation and a smooth, bubble-free surface. As well as these, the advantages of the speed of work and convenience must be mentioned.

3.2 Functioning of the unit

In the following there is a short description of the technical construction for better understanding of the function.

Titan Performance Series 460e units are electrically driven high-pressure spraying units.

A gear unit transfers the driving force to a crankshaft. The crankshaft moves the pistons of the material feed pump up and down.

The inlet valve is opened automatically by the upwards movement of the piston. The outlet valve is opened when the piston moves downward.

The coating material flows under high pressure through the high-pressure hose to the spray gun. When the coating material exits from the tip it atomizes.

The pressure control knob controls the volume and the operating pressure of the coating material.

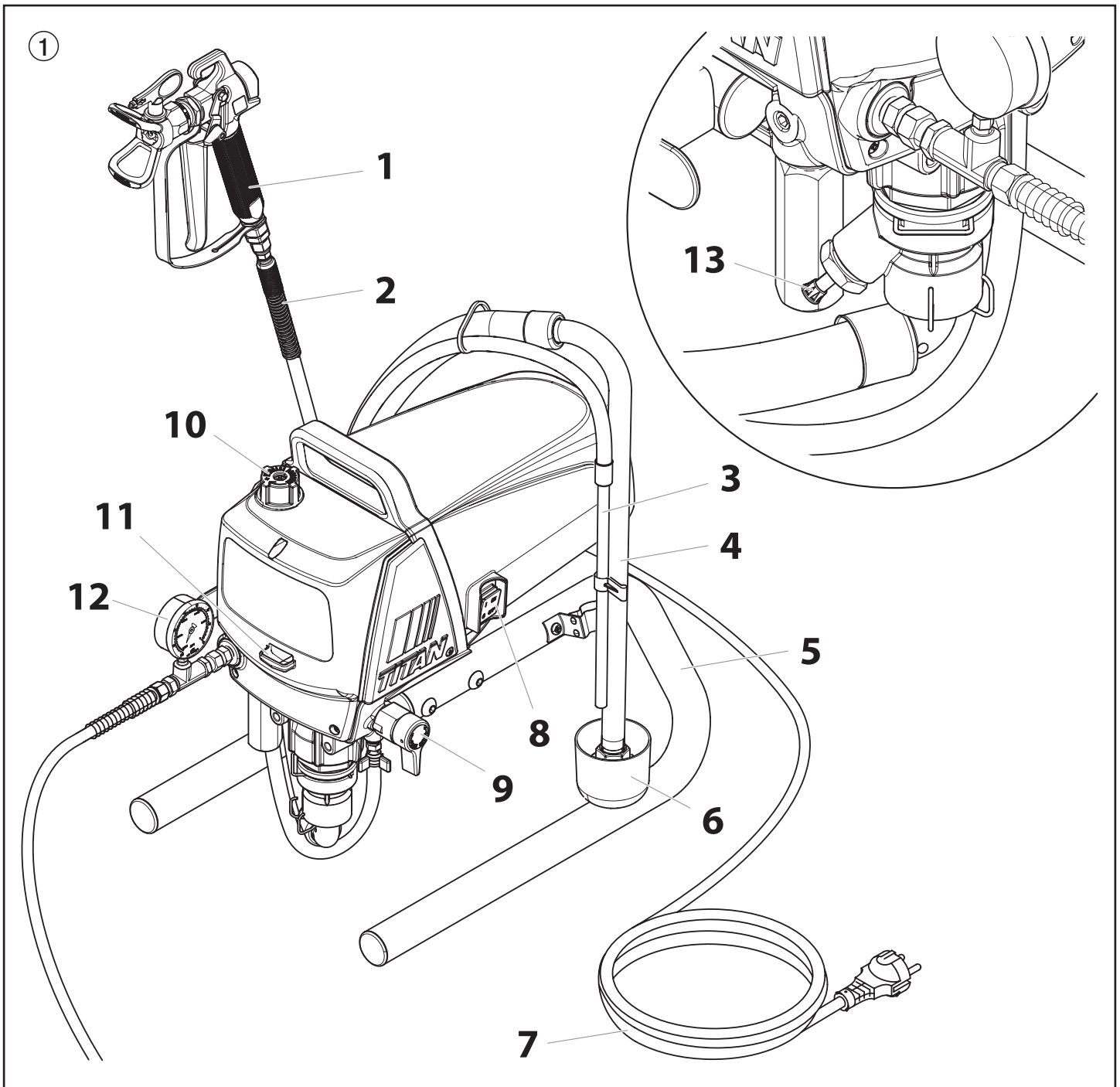


The Titan Performance Series 460e is available in different configurations. All information given in this manual applies to all configurations unless otherwise specified.

3.3 Legend for explanatory diagram Performance Series 460e

- | | |
|----------------------|--|
| 1 Spray gun | 9 Relief valve |
| 2 High-pressure hose | Lever position vertical – PRIME (↻ circulation) |
| 3 Return hose | Lever position horizontal – SPRAY (→) |
| 4 Suction hose | 10 Pressure control knob |
| 5 Frame | 11 Oil cup for Piston Lube (Piston Lube prevents increased wear of the packings) |
| 6 Drip cup | 12 Pressure gauge (if equipped) |
| 7 Power cord | 13 Pusher stem (if equipped) |
| 8 ON/OFF switch | |

3.4 Explanatory diagram Performance Series 460e



3.5 Technical data

Voltage	
	220~240 VAC, 50/60 Hz or 100~120 VAC, 50/60 Hz
Max. current consumption	
220~240 VAC	5.5 A
100~120 VAC	12 A
Power Cord	
	See page 68
Acceptance capacity	
	1000 Watt
Max. operating pressure	
	207 bar (20.7 MPa)
Volume flow at 12 MPa (120 bar) with water	
	1.62 l/min
Max tip size	
	0.021 inch – 0.53 mm
Max. temperature of the coating material	
	43°C
Max viscosity	
	20.000 MPa·s
Weight	
	13.6 kg
Special high-pressure hose	
	6,35 mm, 15 m - 1/4" - 18 NPSM
Dimensions (L X W X H)	
	441 x 324 x 415 mm
Vibration	
	Spray gun does not exceed 2.5m/s ²
Max sound pressure level	
	80 dB*

* Place of measuring: 1 m in distance from the unit and 1.6 m above the floor, 12 MPa (120 bar) operating pressure, reverberant floor.

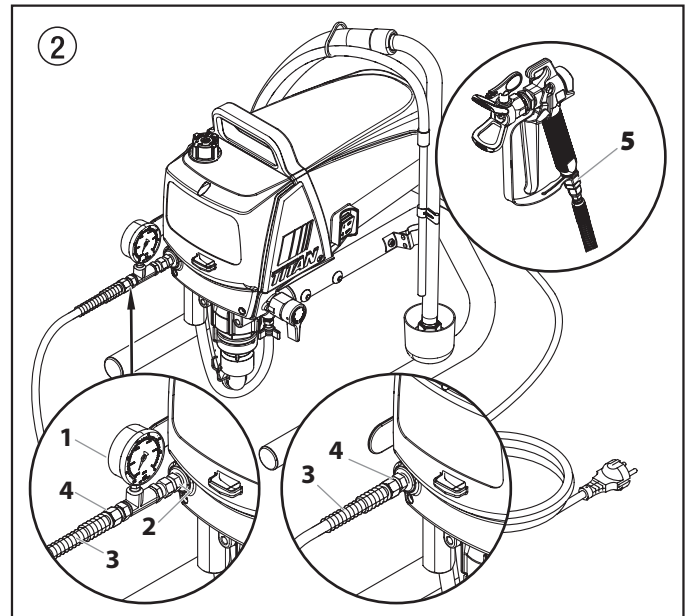
3.6 Transportation in vehicle

Secure the unit with a suitable fastening.

4. Starting operation

4.1 High-pressure hose, spray gun and separating oil

1. If equipped, screw the pressure gauge (1) to the coating material outlet (Fig. 2, Item 2).
2. Screw the high-pressure hose (3) to the coating material outlet (Fig. 2, Item 4).
3. Screw the spray gun (5) with the selected tip onto the high-pressure hose.
4. Tighten the union nuts at the high-pressure hoses firmly so that coating material does not leak.

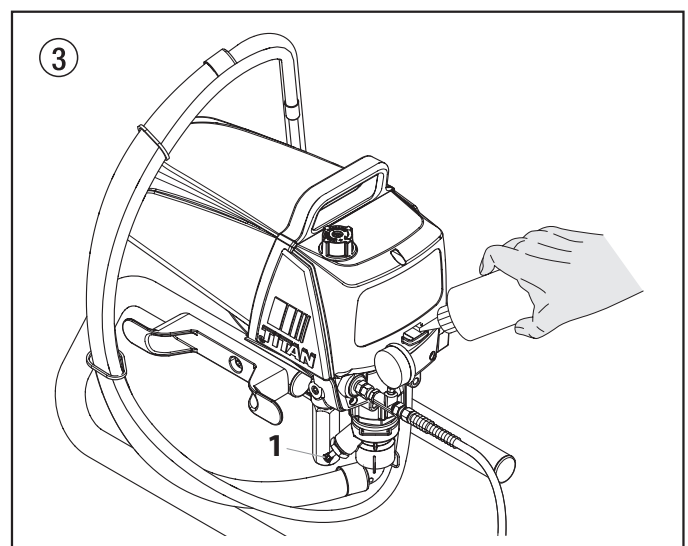


5. Fill the oil cup with Piston Lube (Fig. 3). Do not use too much Piston Lube, i.e. ensure that no Piston Lube drips into the coating material container.



Attention

Piston Lube prevents increased wear and tear to the packings.



6. If equipped, fully depress the pusher stem (Fig. 3, item 1) to make sure the inlet ball is free.

4.2 Connection to the mains network



The unit must be connected to an appropriately-grounded safety outlet.

Attention

Before connecting the unit to the mains supply, ensure that the line voltage matches that specified on the unit's rating plate.

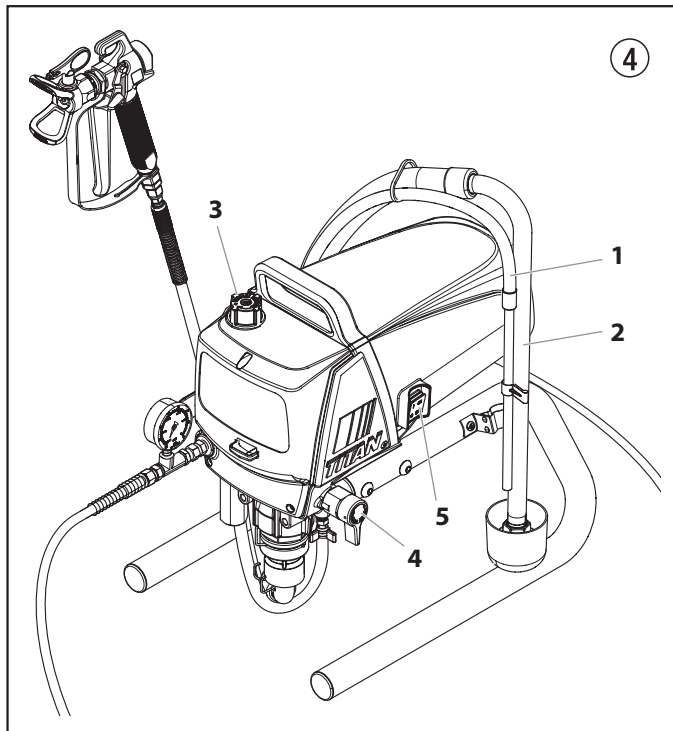
The connection must be equipped with a residual current protective device with INF \leq 30 mA.



Titan's accessories program also includes a mobile operator protection device for the electronic supply, which can also be used with other electronic equipment.

4.3 Cleaning preserving agent when starting-up of operation initially

1. Immerse the suction tube (Fig. 4, Item 2) return hose (1) into a container with a suitable cleaning agent.
2. Turn the pressure control knob counterclockwise (3) to minimum pressure.
3. Open the relief valve (4), valve position PRIME (↻ circulation).
4. Switch the unit (5) ON.
5. Wait until the cleaning agent exudes from the return hose.
6. Close the relief valve, valve position SPRAY (↗ spray).
7. Pull the trigger of the spray gun.
8. Spray the cleaning agent from the unit into an open collecting container.



4.4 Taking the unit into operation with coating material

1. Immerse the suction tube (Fig. 4, Item 2) and return hose (1) into the coating material container.
2. Turn the pressure control knob counterclockwise (3) to minimum pressure.
3. Open the relief valve (4), valve position PRIME (↻ circulation).
4. Switch the unit (5) ON.
5. Wait until the coating material exudes from the return hose.
6. Close the relief valve, valve position SPRAY (↗ spray).
7. Trigger the spray gun several times and spray into a collecting container until the coating material exits the spray gun without interruption.
8. Increase the pressure by slowly turning up the pressure control knob.

Check the spray pattern and increase the pressure until the atomization is correct.

Always turn the pressure control knob to the lowest setting with good atomization.

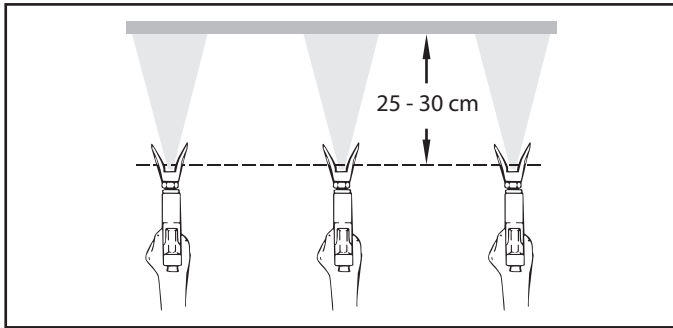
9. The unit is ready to spray.

5. Spraying technique

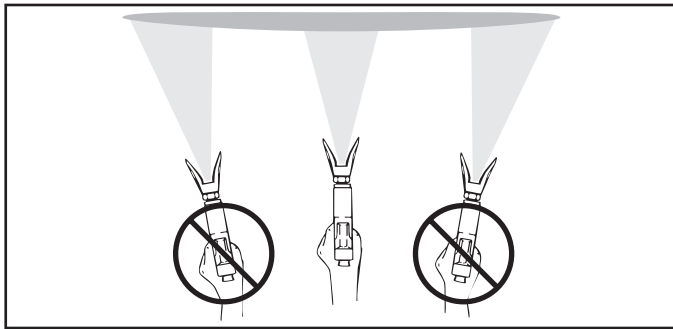


Injection hazard. Do not spray without the tip guard in place. NEVER trigger the gun unless the tip is completely turned to either the spray or the unclog position. ALWAYS engage the gun trigger lock before removing, replacing or cleaning tip.

The key to a good paint job is an even coating over the entire surface. Keep your arm moving at a constant speed and keep the spray gun at a constant distance from the surface. The best spraying distance is 25 to 30 cm between the spray tip and the surface.

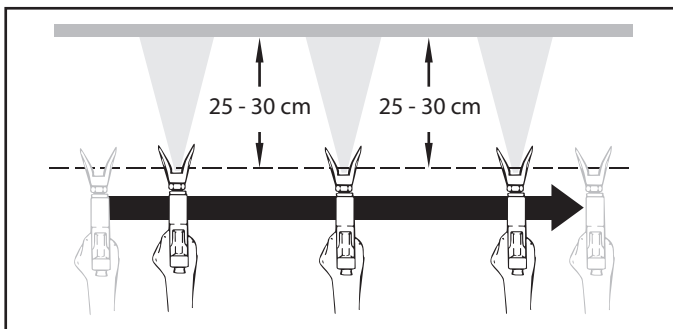


Keep the spray gun at right angles to the surface. This means moving your entire arm back and forth rather than just flexing your wrist.



Keep the spray gun perpendicular to the surface, otherwise one end of the pattern will be thicker than the other.

Trigger gun after starting the stroke. Release the trigger before ending the stroke. The spray gun should be moving when the trigger is pulled and released. Overlap each stroke by about 30%. This will ensure an even coating.



If very sharp edges result or if there are streaks in the spray jet – increase the operating pressure or dilute the coating material.

6. Handling the high-pressure hose

The unit is equipped with a high-pressure hose specially suited for piston pumps.



Danger of injury through leaking high-pressure hose. Replace any damaged high-pressure hose immediately. Never repair defective high-pressure hoses yourself!

The high-pressure hose is to be handled with care. Avoid sharp bends and folds: the smallest bending radius is about 20 cm.

Do not drive over the high-pressure hose. Protect against sharp objects and edges.

Never pull on the high-pressure hose to move the device.

Make sure that the high-pressure hose cannot twist. This can be avoided by using a Titan spray gun with a swivel joint and a hose system.



When using the high-pressure hose while working on scaffolding, it is best to always guide the hose along the outside of the scaffolding.



The risk of damage rises with the age of the high-pressure hose. Titan recommends replacing high-pressure hoses after 6 years.



Use only Titan original-high-pressure hoses in order to ensure functionality, safety and durability.

7. Interruption of work

1. Open the relief valve, valve position PRIME (↻ circulation).
2. Switch the unit OFF.
3. Turn the pressure control knob counterclockwise to minimum pressure.
4. Pull the trigger of the spray gun in order to release the pressure from the high-pressure hose and spray gun.
5. Secure the spray gun, refer to the operating manual of the spray gun.
6. If a standard tip is to be cleaned, see Page 18, Section 12.2. If a non-standard tip is installed, proceed according to the relevant operating manual.
7. Depending on the model, leave the suction tube or the suction hose and return hose immersed in the coating material or swivel or immerse it into a corresponding cleaning agent.



If fast-drying or two-component coating material is used, ensure that the unit is rinsed with a suitable cleaning agent within the processing time.

8. Cleaning the unit (shutting down)

A clean state is the best method of ensuring operation without problems. After you have finished spraying, clean the unit. Under no circumstances may any remaining coating material dry and harden in the unit.

The cleaning agent used for cleaning (only with an ignition point above 21 °C) must be suitable for the coating material used.

- **Secure the spray gun**, refer to the operating manual of the spray gun.

Clean and remove tip.

For a standard tip, refer to Page 18, Section 12.2.

If a non-standard tip is installed, proceed according to the relevant operating manual.

1. Remove suction hose from the coating material.
2. Close the relief valve, valve position SPRAY (→ spray).
3. Switch the unit ON.



Attention

The container must be earthed in case of coating materials which contain solvents.



Caution! Do not pump or spray into a container with a small opening (bunghole)! Refer to the safety regulations.

4. Pull the trigger of the spray gun in order to pump the remaining coating material from the suction hose, high-pressure hose and the spray gun into an open container.
5. Immerse suction hose with return hose into a container with a suitable cleaning agent.
6. Turn the pressure control knob counterclockwise to minimum pressure.
7. Open the relief valve, valve position PRIME (↻ circulation).
8. Pump a suitable cleaning agent in the circuit for a few minutes.
9. Close the relief valve, valve position SPRAY (→ spray).
10. Pull the trigger of the spray gun.
11. Pump the remaining cleaning agent into an open container until the unit is empty.
12. Switch the unit OFF.

8.1 Cleaning unit from outside



First of all pull out mains plug from socket.



Attention

Danger of short circuit through penetrating water! Never spray down the unit with high-pressure or high-pressure steam cleaners.



Attention

Do not put the high-pressure hose into solvents. Use only a wet cloth to wipe down the outside of the hose.

Wipe down unit externally with a cloth which has been immersed in a suitable cleaning agent.

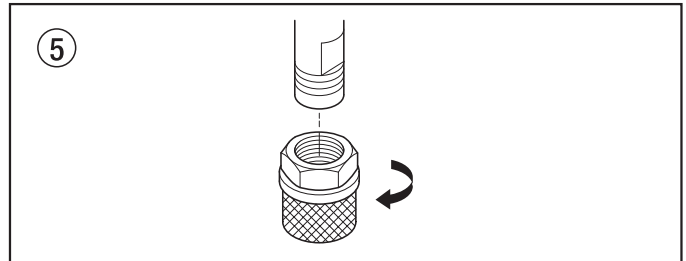
8.2 Suction filter



A clean suction filter always guarantees maximum feed quantity, constant spraying pressure and problem-free functioning of the unit.

1. Screw off the filter (Fig. 5) from suction pipe.
2. Clean or replace the filter.

Carry out cleaning with a hard brush and an appropriate cleaning agent.



8.3 Cleaning the high-pressure filter



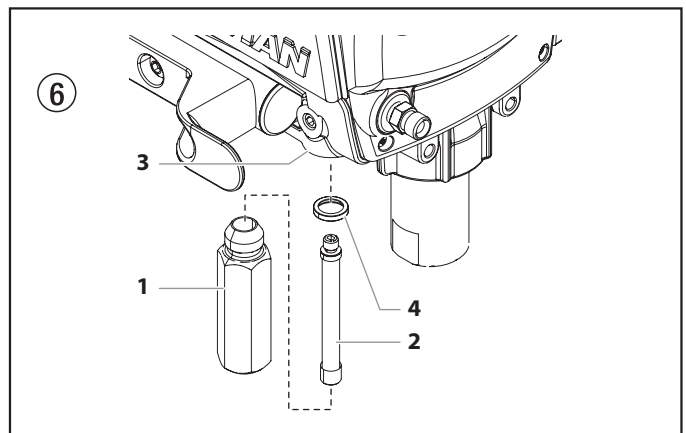
Clean the filter cartridge regularly. A soiled or clogged high-pressure filter can cause a poor spray pattern or a clogged tip.

1. Turn the pressure control knob counterclockwise to minimum pressure.
2. Open the relief valve, valve position PRIME (↻ circulation).
3. Switch the unit OFF.



Unplug the power plug from the outlet.

4. Unscrew the filter housing (Fig. 6, Item 1) with a strap wrench.
5. Turning clockwise, unscrew the filter (2) from the pump manifold (3).
6. Clean all the parts with the corresponding cleaning agent. If necessary, replace the filter cartridge.
7. Check the O-ring (4), replace it if necessary.
8. Turning counterclockwise, screw the new or cleaned filter into the pump manifold.
9. Screw in filter housing (1) and tighten it as far as possible with the strap wrench.



8.3 Cleaning Airless spray gun

1. Rinse Airless spray gun with an appropriate cleaning agent.
2. Clean tip thoroughly with appropriate cleaning agent so that no coating material residue remains.
3. Thoroughly clean the outside of the Airless spray gun.

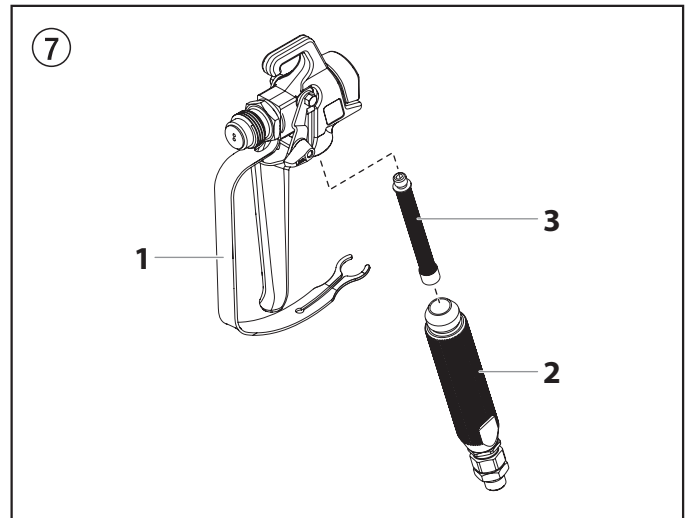
Intake filter in Airless spray gun (Fig. 7)

Disassembly

1. Pull protective guard (1) forward vigorously.
2. Screw grip (2) out of the gun housing. Remove intake filter (3).
3. Intake filter congested or defective – replace.

Assembly

1. Place intake filter (3) with the long cone into the gun housing.
2. Screw in grip (2) into the gun housing and tighten.
3. Slot in protective guard (1).



9. Remedy in case of faults

Type of malfunction	Possible cause	Measures for eliminating the malfunction
A. Unit does not start	<ol style="list-style-type: none"> 1. No voltage applied. 2. Pressure setting too low. 3. ON/OFF switch defective. 	<ol style="list-style-type: none"> 1. Check voltage supply. 2. Turn up pressure control knob. 3. Replace.
B. Unit does not draw in material	<ol style="list-style-type: none"> 1. Relief valve is set to SPRAY (→ spray). 2. Filter projects over the fluid level and sucks air. 3. Filter clogged. 4. Suction hose/suction tube is loose, i.e. the unit is sucking in outside air. 	<ol style="list-style-type: none"> 1. Set relief valve to PRIME (↻ circulation). 2. Refill the coating material. 3. Clean or replace the filter. 4. Clean connecting points. Replace O-rings if necessary. Secure suction hose with retaining clip.
C. Unit draws in material, but the pressure does not build up	<ol style="list-style-type: none"> 1. Tip heavily worn. 2. Tip too large. 3. Pressure setting too low. 4. Filter clogged. 5. Coating material flows through the return hose when the relief valve is in the SPRAY (→ spray) position. 6. Packings sticky or worn. 7. Valve balls worn. 8. Valve seats worn. 	<ol style="list-style-type: none"> 1. Replace 2. Replace tip. 3. Turn pressure control knob clockwise to increase. 4. Clean or replace the filter. 5. Remove and clean or replace relief valve. 6. Remove and clean or replace packings. 7. Remove and replace valve balls. 8. Remove and replace valve seats.
D. Coating material exits at the top of the fluid section	<ol style="list-style-type: none"> 1. Upper packing is worn. 2. Piston is worn. 	<ol style="list-style-type: none"> 1. Remove and replace packing. 2. Remove and replace piston.
E. Increased pulsation at the spray gun	<ol style="list-style-type: none"> 1. Incorrect high-pressure hose type. 2. Tip worn or too large. 3. Pressure too high. 	<ol style="list-style-type: none"> 1. Only use TITAN original-high-pressure hoses in order to ensure functionality, safety and durability. 2. Replace tip. 3. Turn pressure control knob to a lower number.
F. Poor spray pattern	<ol style="list-style-type: none"> 1. Tip is too large for the coating material which is to be sprayed. 2. Pressure setting incorrect. 3. Volume too low. 4. Coating material viscosity too high. 	<ol style="list-style-type: none"> 1. Replace tip. 2. Turn pressure control knob until a satisfactory spraying pattern is achieved. 3. Clean or replace all filters. 4. Thin out according to the manufacturer's instructions.
G. Unit loses power	<ol style="list-style-type: none"> 1. Pressure setting too low. 	<ol style="list-style-type: none"> 1. Turn pressure control knob clockwise to increase.
H. Pump over-pressurizes and will not shut off.	<ol style="list-style-type: none"> 1. Pressure switch defective. 2. Transducer defective. 	<ol style="list-style-type: none"> 1. Take unit to a Titan authorized service center. 2. Take unit to a Titan authorized service center.

10. Servicing

10.1 General servicing

Servicing of the unit should be carried out once annually by the TITAN service.

1. Check high-pressure hoses, device connecting line and plug for damage.
2. Check the inlet valve, outlet valve and filter for wear.

10.2 High-pressure hose

Inspect the high-pressure hose visually for any notches or bulges, in particular at the transition in the fittings. It must be possible to turn the union nuts freely.



The risk of damage rises with the age of the high-pressure hose. Titan recommends replacing high-pressure hoses after 6 years.

11. Repairs at the unit



Switch the unit OFF.

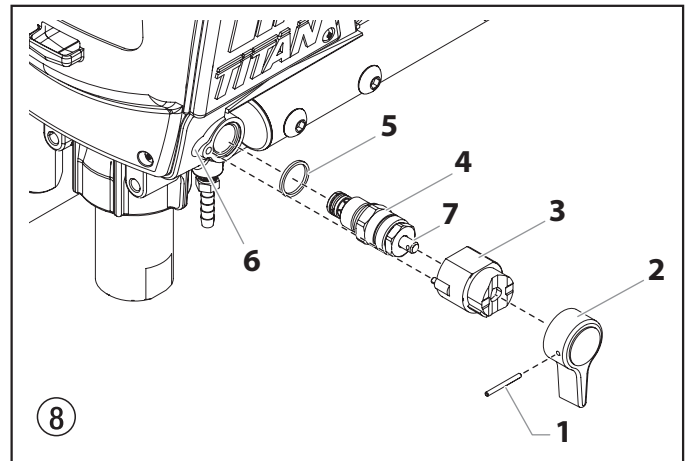
Before all repair work: Unplug the power plug from the outlet.

11.1 Relief valve



The valve housing (4) should not be repaired. If worn, it should always be replaced with a new one.

1. Use a drift punch of 2 mm to remove the grooved pin (Fig. 8, Item 1) from the relief valve handle (2).
2. Remove the relief valve handle (2) and cam base (3).
3. Using a wrench, remove the valve housing (4) from the pump manifold (6).
4. Ensure that the seal (5) is seated correctly, then screw the new valve housing (4) completely into the pump manifold (6). Tighten securely with a wrench.
5. Align the cam base (3) with the hole in the pump manifold (6). Lubricate the cam base with grease and slide on the cam base.
6. Bring the hole in the valve shaft (7) and in the relief valve handle (2) into alignment.
7. Insert the grooved pin (1) to secure the relief valve handle in position.



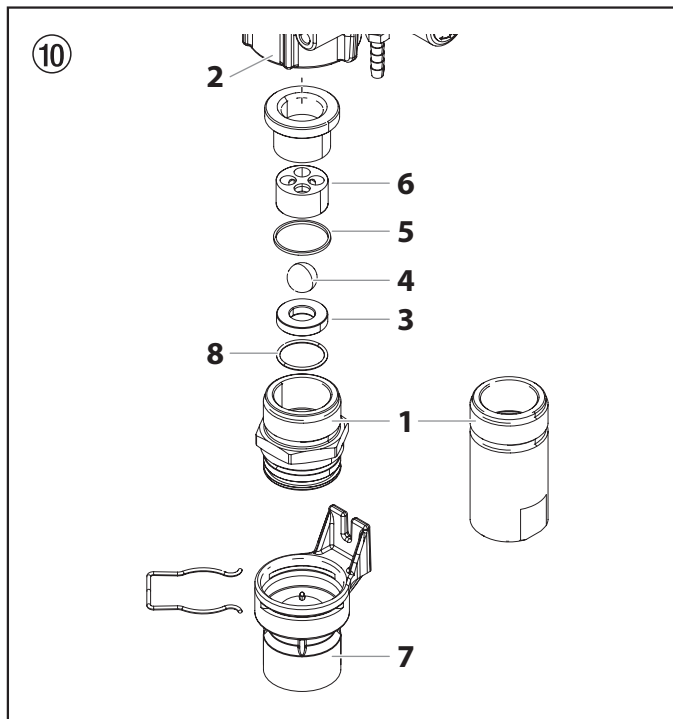
11.2 Inlet and outlet valve

1. Remove the screw that secures the pressure control knob. Remove the knob.
Remove the five screws in the front cover and then remove the front cover.
2. Switch the unit ON and then OFF so that the piston rod is positioned in the lower stroke position.

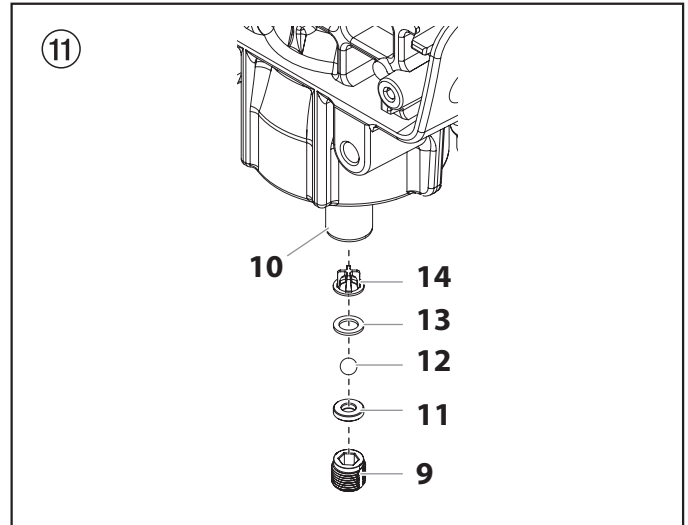


Danger of crushing - do not reach with the fingers or tool between the moving parts.

3. Unplug the power plug from the outlet.
4. Remove the retaining clip from the connecting bend at the suction hose and pull off the suction hose.
5. Screw off the return hose.
6. Swivel the unit 90° to the rear in order to work more easily on the material feed pump.
7. If equipped - Remove the pusher stem clip and slide the pusher housing (7) from the inlet valve housing (1).
8. Unscrew the inlet valve housing (Fig. 10, Item 1) from the pump manifold (2).
9. Remove the lower ball guide (6), lower seal (5), inlet valve ball (4), inlet valve seat (3) and O-ring (8).
10. Clean all the parts with the corresponding cleaning agent. Check the inlet valve housing (1), inlet valve seat (3) and inlet valve ball (4) for wear and replace the parts if necessary.



11. Unscrew outlet valve housing (Fig. 11, Item 9) from the piston (10) with adjusting wrench.
12. Remove the upper ball guide (14), crush washer (13), outlet valve ball (12), and outlet valve seat (11).
13. Clean all the parts with the corresponding cleaning agent. Check outlet valve housing (9), outlet valve seat (11), outlet valve ball (12) and upper ball guide (14) for wear and replace parts if necessary.
14. Carry out installation in the reverse order. Make sure the outlet valve retainer (9) is reinstalled with the non-threaded "lip" facing up into the piston. Lubricate O-ring (Fig. 10, Item 8) with machine grease and ensure proper seating in the inlet valve housing (Fig. 10, Item 1).



11.3 Packings

Disassembly (Fig. 12)

1. Remove inlet valve housing in accordance with the steps in Chapter 11.2. It is not necessary to remove the outlet valve.
2. Remove the yoke screw (14) and washer (15) that secures the dowel pin (16). The dowel pin connects the yoke (17) to the piston (18).
3. Using a pliers, pull the dowel pin (16) out.
4. Rotate the pump shaft so the piston is in the top dead center position. Press the yoke (17) against the top bushing (19) with a screwdriver, for example. This is required to disassemble all the parts.
5. Remove the piston assembly (18) by pushing down on the piston near the yoke (17).
6. Unscrew and remove the upper bushing (19) using an adjustable wrench.
7. Remove the worn seals using a flat head screwdriver or punch. Remove the upper packing (20) from the top and the lower packing (21) from the bottom by pressing against the side of the seal and popping it out. Be sure not to scratch the housing where the seals are located.
8. Clean the area where the new packings are to be installed.

Assembly (Fig. 12)

1. Slide the upper packing (20) off the grey sizing/insertion tool (towards the tip) and install into the top of the pump housing with the raised lip (23) facing down. Save the upper packing sizing/insertion tool for use in step 6.
2. Place the upper bushing (19) into the top of the housing and tighten with an adjustable wrench (torque to 300-360 in-lbs). This will drive the upper packing (20) into the correct position.
3. Tilt the pump backwards so that it is laying on its back. Remove the plastic wrap from the lower packing and red pre-form tool.



Cut the plastic wrap with a scissors. Do not cut plastic wrap with a utility knife as damage can occur to the O-rings.

4. Slide the lower packing (21) off the pre-form tool (towards the top). Insert the lower packing partially into the bottom of the pump block so that the beveled edge (24) of the packing faces up.

5. Thread the inlet valve housing (22) back into the bottom of the pump housing by hand to drive the lower packing into place. Once tightened as far as it will go, unthread and remove again.
6. Place the grey insertion tool over the top of the piston assembly (18). Coat the piston guide tool and the piston rod with grease before inserting them into the pump housing.
7. Insert the piston assembly into the bottom of the pump block and push upward until the hole in the piston is aligned with the hole in the yoke (17). Discard insertion tool.



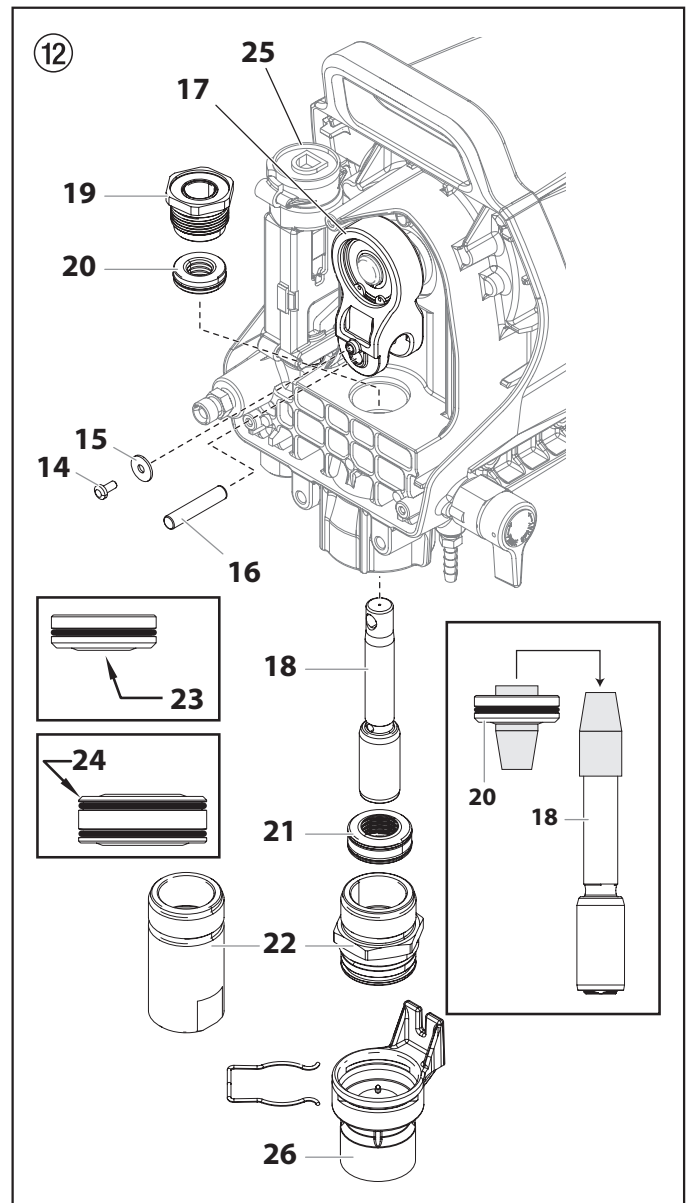
Attention

Make sure the piston is inserted precisely through the middle of the upper and lower packing. Coming in at an angle will bump the piston into the sides of the packings and cause damage.

8. Apply any type of household grease to the piston and yoke area to prolong life. Apply to the holes in the yoke where the dowel (16) is inserted.
9. Install the dowel pin (16) to connect the yoke (17) to the piston (18). The piston may have to be moved up or down to do this.
10. Install the yoke screw (14) and washer (15) to secure the dowel pin.
11. Turn pump right side up and apply a few drops of Piston Lube or light household oil between the top nut (19) and piston (18). This will prolong the seal life.
12. Reinstall the inlet valve assembly (22). Tighten by hand until it cannot be tightened further, and then tighten another 1/2 turn with a wrench. This will automatically secure the lower packing (21) into place.
13. If equipped, replace pusher assembly (26) onto inlet valve assembly.
14. Install front cover and three screws.
15. Reinstall the pressure control knob. Secure with the screw.
16. Reinstall the suction tube and return tube.



If the knob bottom (25) has been removed from the pressure switch assembly, it must be re-calibrated prior to reinstallation. Follow the "Resetting the Pressure Switch Timing" instructions.



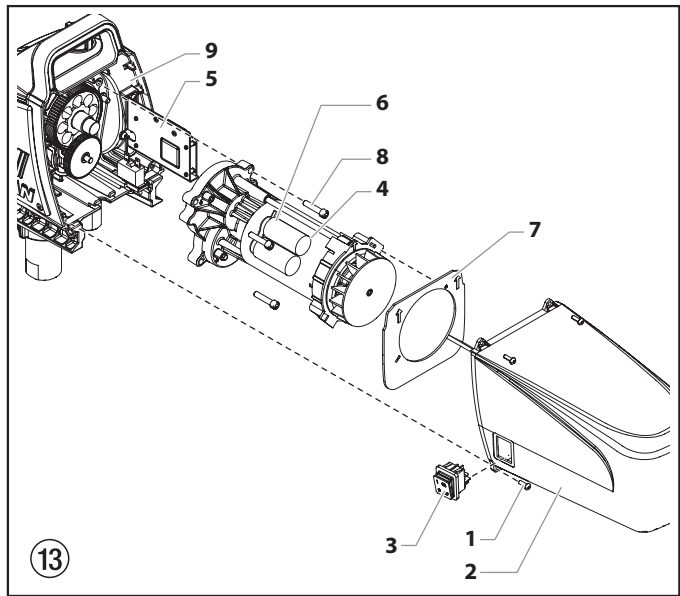
11.4 Replacing the Motor

i The following procedure must only be performed by a Titan Authorized Service Center.

1. Open the relief valve, valve position PRIME (↻ circulation). Switch the unit OFF. Unplug the power plug from the outlet.
2. Loosen and remove the four motor cover screws (1). Remove the motor cover (2).

i The ON / OFF switch (3) is housed inside the motor cover. In order to remove the motor cover completely, you must disconnect all of the wires at the rear of the switch. Note the position of the wires before disconnecting.

3. On the back of the motor (4), disconnect the two wires (black and red) coming from the circuit board (5). Remove the ground wire from the motor housing.
4. Slide the motor baffle (7) off the rear of the motor.
5. Loosen and remove the four motor mounting screws (8).
6. Pull the motor (4) out of the pump housing (9).
7. With the motor removed, inspect the gears in the pump housing (9) for damage or excessive wear. Replace the gears, if necessary.
8. Install the new motor (4) into the pump housing (9).
9. Secure the motor with the four motor mounting screws (8).
10. Reconnect the wires (Refer to the Connection Diagram, section 11.9).
11. Slide the motor baffle (7) onto the rear of the motor. The arrows on the baffle should be pointed up.
12. Slide the motor cover (2) over the motor. Secure the motor cover with the four motor cover screws (1).



11.5 Replacing the Gears

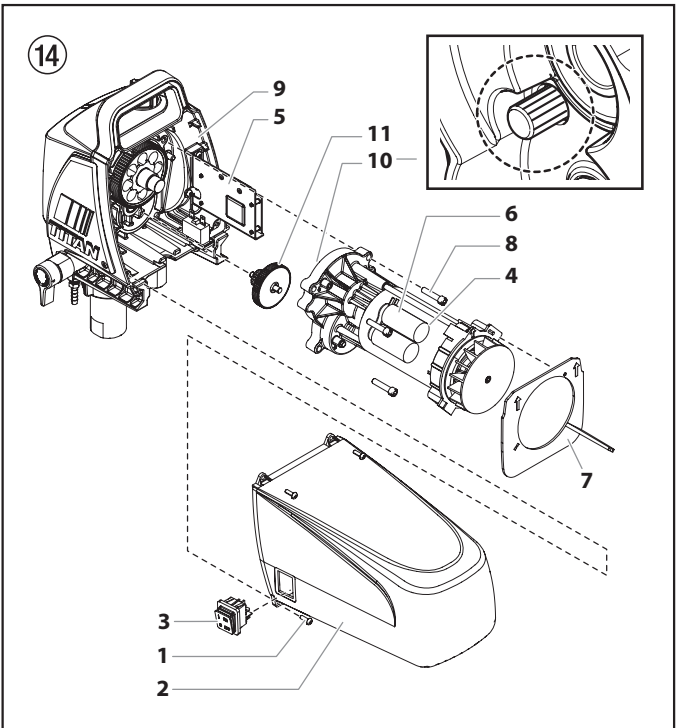
i The following procedure must only be performed by a Titan Authorized Service Center.

1. Open the relief valve, valve position PRIME (↻ circulation). Switch the unit OFF. Unplug the power plug from the outlet.
2. Loosen and remove the four motor cover screws (1). Remove the motor cover (2).

i The ON / OFF switch (3) is housed inside the motor cover. In order to remove the motor cover completely, you must disconnect all of the wires at the rear of the switch. Note the position of the wires before disconnecting.

3. On the back of the motor (4), disconnect the two wires (black and red) coming from the circuit board (5). Remove the ground wire from the motor housing.
4. Slide the motor baffle (7) off the rear of the motor.
5. Loosen and remove the four motor mounting screws (8).
6. Pull the motor (4) out of the pump housing (9).
7. Inspect the armature gear (10) on the end of the motor for damage or excessive wear. If this gear is completely worn out, replace the entire motor.
8. Remove and inspect the 2nd stage gear (11) for damage or excessive wear. Replace if necessary.
9. If the armature gear (10) or 2nd stage gear (11) are damaged, the pump housing (9) must be cleaned of any debris caused by damaged gears.
10. Reassemble the pump by reversing the above steps.

i Refill the gear box in the pump housing with five ounces of Lubriplate (P/N 314-171).



11.6 Replacing the Pressure Switch / Transducer

i The following procedure must only be performed by a Titan Authorized Service Center.

i If the sprayer loses all pressure adjustment, or there is paint leakage from the front of the sprayer, the pressure switch and/or transducer may need to be replaced.

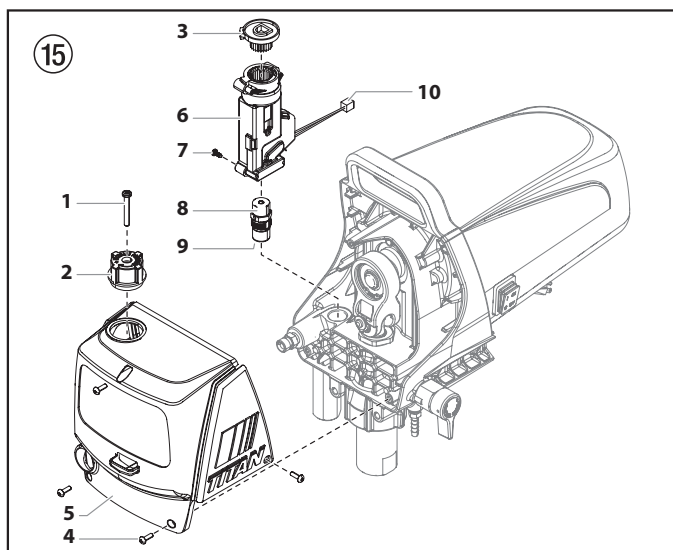
1. Open the relief valve, valve position PRIME (☉ circulation). Switch the unit OFF. Unplug the power plug from the outlet.
2. Remove the screw (1) that secures the pressure control knob (2) to the bottom of the pressure control knob (3). Remove the knob (2).
3. Loosen and remove the three front cover screws (4). Remove the front cover (5).
4. Remove the screw (7) from the side of the pressure switch. Remove the bottom of the pressure control knob (3) from the top of the pressure switch.
5. Remove the pressure switch assembly (6) from the top of the transducer (8).
6. Unplug the pressure switch (6) from the wire connector (10).



Attention

Do not attempt to pull wires from the inside of the pressure switch assembly. If the pressure switch wire connector (10) is not exposed from through the opening in the pump housing, pull gently on the wires until the connector is shown through the opening.

7. Check pressure switch continuity at the connector. If the switch is bad replace with a new pressure switch assembly.
8. Inspect the transducer (8) for the presence of paint. If there is paint, replace the transducer. If there is no paint, skip to step 9, below.
 - a. Using a wrench on the hex head of the transducer, loosen and remove the transducer assembly.
 - b. Apply a generous amount of grease to the transducer O-ring (9). Reinstall the transducer assembly and torque to 70-75 in/lbs.
9. Reconnect the wires (Refer to the Connection Diagram, section 11.9).
10. Push pressure switch assembly (6) back onto the transducer until it bottoms out on the transducer hex head.
11. Replace the screw (7) into the side of the pressure switch.
12. See "Resetting the Pressure Switch Timing", section 11.7.



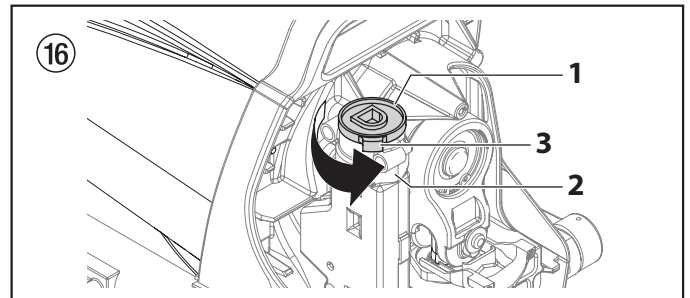
11.7 Resetting the Pressure Switch Timing

i The following procedure must only be performed by a Titan Authorized Service Center.

i The components of the pressure switch must be properly reassembled and adjusted in order for the pump to operate at the correct maximum pressure.

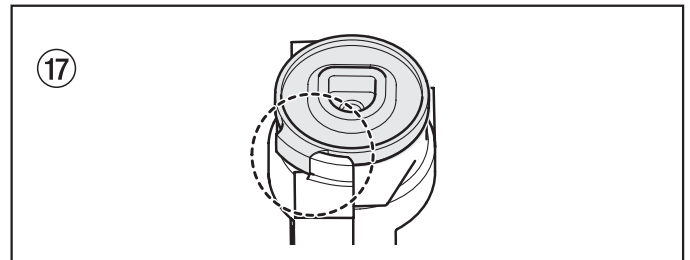
Perform this procedure using pressure gauge P/N 0521229.

1. Make sure the knob bottom (1) is installed in the pressure switch (2).
2. Viewing from the top, turn the knob bottom (1) counter-clockwise as far as the teeth inside the pressure switch will allow.



i If the stop (3) on the pressure switch prevents the knob bottom from continuing to turn, remove the knob bottom, re-orient it on the teeth and continue to turn it counterclockwise until it stops.

3. Re-orient the knob tab against the pressure switch tab stop.



4. Replace the front cover and secure with the three screws.
5. Replace the pressure control knob into the knob bottom but do not secure with the screw. Turn the knob fully clockwise to maximum.
6. Connect the pressure gauge to the outlet fitting.
7. Connect a high-pressure hose and gun to the pressure gauge.
8. Using water as a media, follow the steps in section 4.4. It is not necessary to attach a spray tip to the gun. Leave the pressure set to maximum.
9. The sprayer should now be pressurized at maximum pressure. The pressure gauge should be reading between 193-207 bar.
10. If the pressure reading is below or above this reading, the set screw down inside the pressure switch will have to be adjusted. Adjust it per the guidelines below using a long hex wrench.
 - a. If the pressure reading is below 193 bar, turn the set screw counterclockwise until the pressure gauge reads between 193-207 bar.
 - b. If the pressure reading is above 207 bar, relieve pressure by turning the valve handle to PRIME (☉ circulation). While the sprayer is circulating, turn the set screw clockwise slightly and then turn the valve handle to SPRAY (☼ spray). Repeat this until the pressure reading decreases to a range of 193-207 bar.
11. When the pressure gauge reads between 193-207 bar, the pressure control knob is now set. Secure the pressure control knob with the pressure control knob screw.

11.8 Replacing the Circuit Board



The following procedure must only be performed by a Titan Authorized Service Center.

Perform this procedure using Circuit Board Kit.

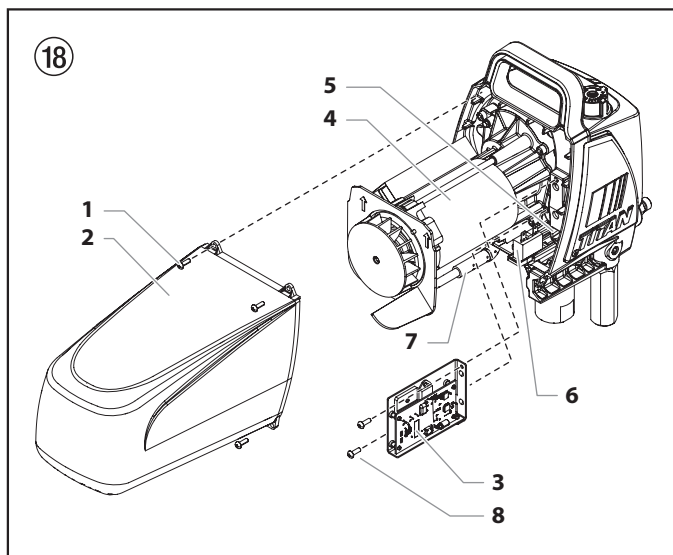
1. Open the relief valve, valve position PRIME (↻ circulation). Switch the unit OFF. Unplug the power plug from the outlet.
2. Loosen and remove the four motor cover screws (1). Remove the motor cover (2).
3. Disconnect the red and black wires that connect the circuit board (3) to the motor assembly (4).
4. Disconnect the white wires that connect the circuit board to the pressure switch.



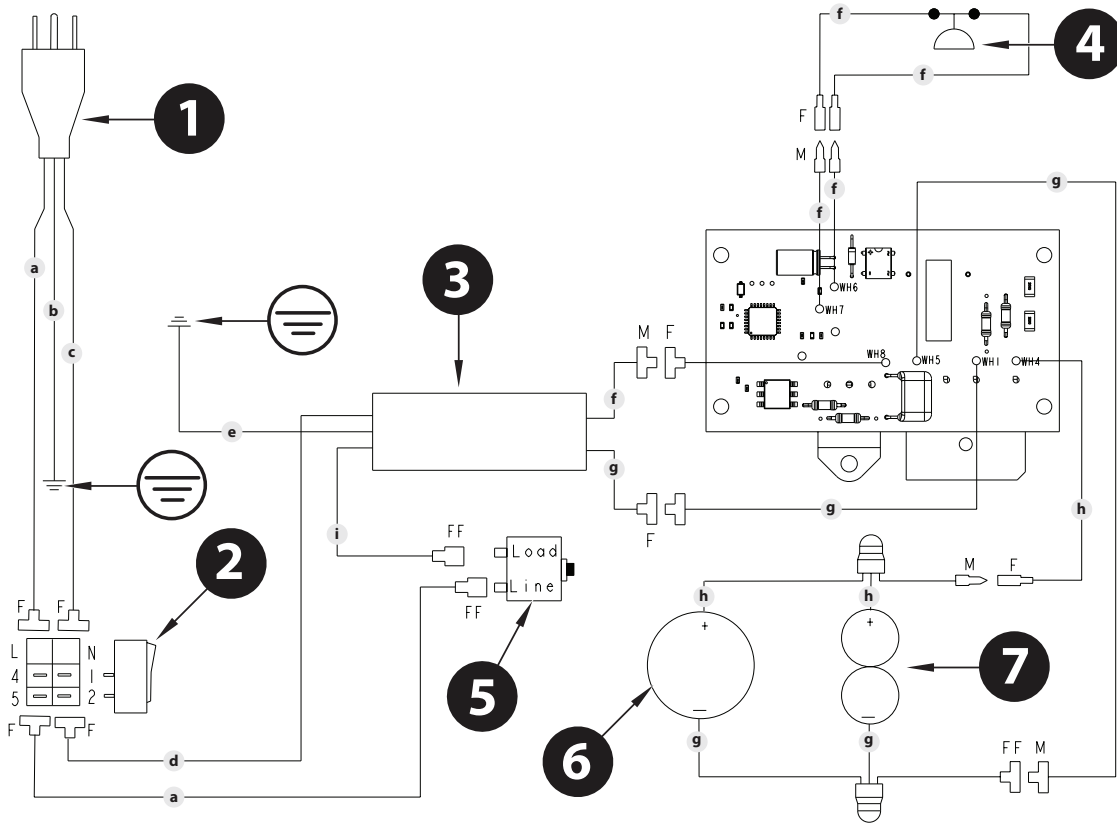
Attention

Do not attempt to pull wires from the inside of the pressure switch assembly. If the pressure switch wire connector is not exposed from through the opening in the pump housing, pull gently on the wires until the connector is shown through the opening.

5. Disconnect the black wire that connects the circuit board to the circuit breaker (6).
6. Disconnect the white wire that connects the circuit board to the power switch.
7. Loosen and remove the two circuit board screws (8). Remove the circuit board (3).
8. Install the new circuit board (3) and secure with the two circuit board screws (8).
9. Reconnect the wires that were disconnected in steps 3-6 (Refer to the Connection Diagram, section 11.9).
10. Slide the motor cover over the motor. Secure the motor cover with the four motor cover screws.

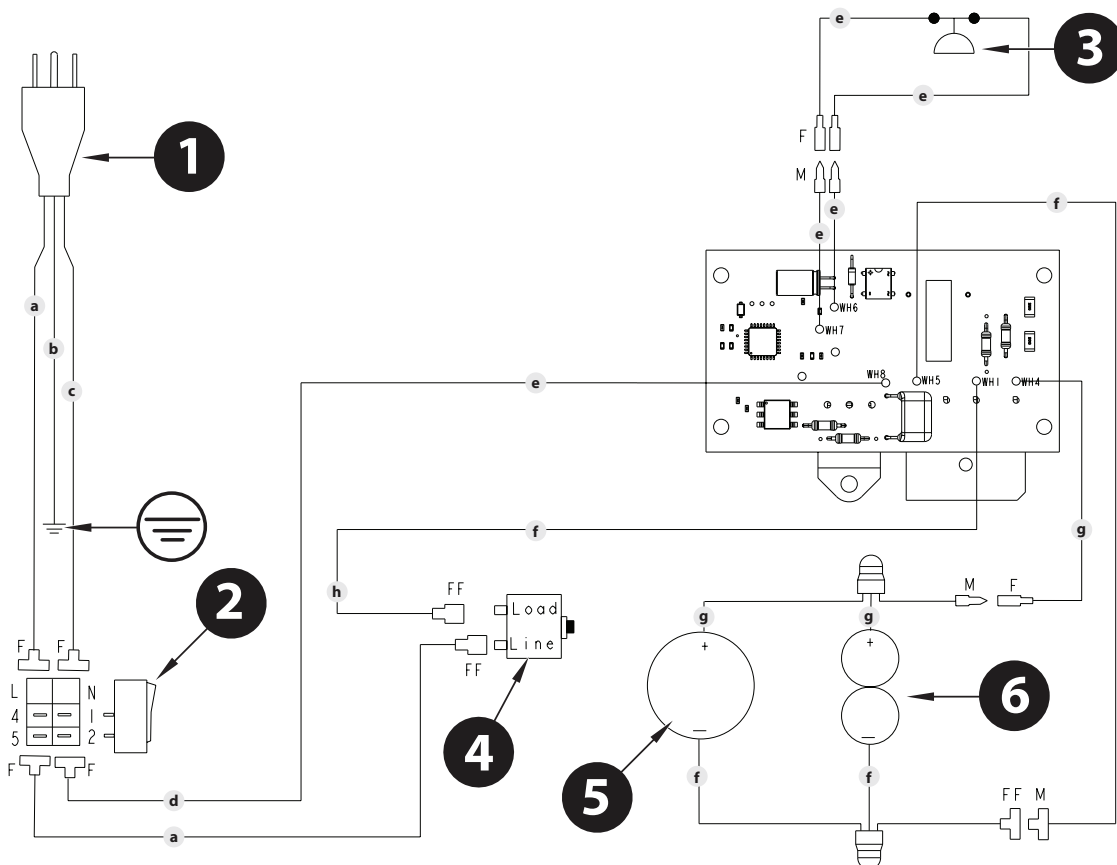


11.9 Performance Series 460e connection diagram



With EMI filter	
Pos.	Description
1	Power cord
2	Power switch
3*	EMI filter
4	Pressure switch
5	Circuit breaker
6	Motor
7	Capacitors

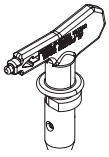
Pos.	Description
a	Black / brown
b	Green
c	White / blue
d	Blue
e	Green / yellow
f	White
g	Brown
h	Red
i	Brown



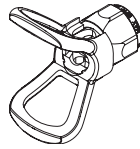
Without EMI filter	
Pos.	Description
1	Power cord
2	Power switch
3	Pressure switch
4	Circuit breaker
5	Motor
6	Capacitors

Pos.	Description
a	Black / brown
b	Green
c	White / blue
d	Blue
e	White
f	Black
g	Red
h	Brown

12.4 Airless tip table



Titan SC6+ tip
up to 270 bar
(27 MPa)



without tip
G thread (7/8 - 14 UN)
for Graco/Titan spray guns
Order no. 0289228



All of the tips in the table below are supplied together with the appropriate gun filter.

Application	Tip marking	Spray angle	Bore inch / mm	Spraying width mm 1)	Gun filter	Order no.
Water-thinnable and solvent-based paints and varnishes, oils, separating agents	107	10°	0.007 / 0.18	100	red	662-107
	207	20°	0.007 / 0.18	120	red	662-207
	307	30°	0.007 / 0.18	150	red	662-307
	407	40°	0.007 / 0.18	190	red	662-407
	109	10°	0.009 / 0.23	100	red	662-109
	209	20°	0.009 / 0.23	120	red	662-209
	309	30°	0.009 / 0.23	150	red	662-309
	409	40°	0.009 / 0.23	190	red	662-409
	509	50°	0.009 / 0.23	225	red	662-509
	609	60°	0.009 / 0.23	270	red	662-609
Synthetic-resin paints PVC paints	111	10°	0.011 / 0.28	100	red	662-111
	211	20°	0.011 / 0.28	120	red	662-211
	311	30°	0.011 / 0.28	150	red	662-311
	411	40°	0.011 / 0.28	190	red	662-411
	511	50°	0.011 / 0.28	225	red	662-511
	611	60°	0.011 / 0.28	270	red	662-611
Paints, primers Fillers	113	10°	0.013 / 0.33	100	red	662-113
	213	20°	0.013 / 0.33	120	red	662-213
	313	30°	0.013 / 0.33	150	red	662-313
	413	40°	0.013 / 0.33	190	red	662-413
	513	50°	0.013 / 0.33	225	red	662-513
	613	60°	0.013 / 0.33	270	red	662-613
Fillers Rust protection paints	115	10°	0.015 / 0.38	100	yellow	662-115
	215	20°	0.015 / 0.38	120	yellow	662-215
	315	30°	0.015 / 0.38	150	yellow	662-315
	415	40°	0.015 / 0.38	190	yellow	662-415
	515	50°	0.015 / 0.38	225	yellow	662-515
	615	60°	0.015 / 0.38	270	yellow	662-615
Rust protection paints Latex paints Dispersions	117	10°	0.017 / 0.43	100	yellow	662-117
	217	20°	0.017 / 0.43	120	yellow	662-217
	317	30°	0.017 / 0.43	150	yellow	662-317
	417	40°	0.017 / 0.43	190	yellow	662-417
	517	50°	0.017 / 0.43	225	yellow	662-517
	617	60°	0.017 / 0.43	270	yellow	662-617
Rust protection paints Latex paints Dispersions	219	20°	0.019 / 0.48	120	white	662-219
	319	30°	0.019 / 0.48	150	white	662-319
	419	40°	0.019 / 0.48	190	white	662-419
	519	50°	0.019 / 0.48	225	white	662-519
	619	60°	0.019 / 0.48	270	white	662-619
	719	70°	0.019 / 0.48	300	white	662-719
Flame retardant	221	20°	0.021 / 0.53	120	white	662-221
	321	30°	0.021 / 0.53	150	white	662-321
	421	40°	0.021 / 0.53	190	white	662-421
	521	50°	0.021 / 0.53	225	white	662-521
	621	60°	0.021 / 0.53	270	white	662-621
	721	70°	0.021 / 0.53	300	white	662-721
	821	80°	0.021 / 0.53	330	white	662-821

1) Spray width at about 30 cm to the object and 100 bar (10 MPa) pressure with synthetic-resin paint 20 DIN seconds.

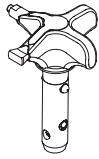


All of the tips in the table below are supplied together with the appropriate gun filter.

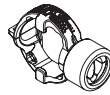
Application	Tip marking	Spray angle	Bore inch / mm	Spraying width mm 1)	Gun filter	Order no.
Roof coatings	223	20°	0.023 / 0.58	120	white	662-223
	323	30°	0.023 / 0.58	150	white	662-323
	423	40°	0.023 / 0.58	190	white	662-423
	523	50°	0.023 / 0.58	225	white	662-523
	623	60°	0.023 / 0.58	270	white	662-623
	Thick-film materials, Corrosion protection Spray filler	225	20°	0.025 / 0.64	120	white
325		30°	0.025 / 0.64	150	white	662-325
425		40°	0.025 / 0.64	190	white	662-425
525		50°	0.025 / 0.64	225	white	662-525
625		60°	0.025 / 0.64	270	white	662-625
227		20°	0.027 / 0.69	120	white	662-227
327		30°	0.027 / 0.69	150	white	662-327
427		40°	0.027 / 0.69	190	white	662-427
527		50°	0.027 / 0.69	225	white	662-527
627		60°	0.027 / 0.69	270	white	662-627
229		20°	0.029 / 0.75	120	white	662-229
329		30°	0.029 / 0.75	150	white	662-329
429		40°	0.029 / 0.75	190	white	662-429
529		50°	0.029 / 0.75	225	white	662-529
629		60°	0.029 / 0.75	270	white	662-629
231		20°	0.031 / 0.79	120	white	662-231
331		30°	0.031 / 0.79	150	white	662-331
431		40°	0.031 / 0.79	190	white	662-431
531		50°	0.031 / 0.79	225	white	662-531
631		60°	0.031 / 0.79	270	white	662-631
731		70°	0.031 / 0.79	300	white	662-731
831		80°	0.031 / 0.79	330	white	662-831
233		20°	0.033 / 0.83	120	white	662-233
333		30°	0.033 / 0.83	150	white	662-333
433		40°	0.033 / 0.83	190	white	662-433
533		50°	0.033 / 0.83	225	white	662-533
633		60°	0.033 / 0.83	270	white	662-633
235		20°	0.035 / 0.90	120	white	662-235
335		30°	0.035 / 0.90	150	white	662-335
435		40°	0.035 / 0.90	190	white	662-435
535		50°	0.035 / 0.90	225	white	662-535
635		60°	0.035 / 0.90	270	white	662-635
735		70°	0.035 / 0.90	300	white	662-735
439	40°	0.039 / 0.99	190	white	662-439	
539	50°	0.039 / 0.99	225	white	662-539	
639	60°	0.039 / 0.99	270	white	662-639	
Heavy duty applications	443	40°	0.043 / 1.10	190	green	662-443
	543	50°	0.043 / 1.10	225	green	662-543
	643	60°	0.043 / 1.10	270	green	662-643
	445	40°	0.045 / 1.14	190	green	662-445
	545	50°	0.045 / 1.14	225	green	662-545
	645	60°	0.045 / 1.14	270	green	662-645
	451	40°	0.051 / 1.30	190	green	662-451
	551	50°	0.051 / 1.30	225	green	662-551
	651	60°	0.051 / 1.30	270	green	662-651
	455	40°	0.055 / 1.40	190	green	662-455
	555	50°	0.055 / 1.40	225	green	662-555
	655	60°	0.055 / 1.40	270	green	662-655

1)Spray width at about 30 cm to the object and 100 bar (10 MPa) pressure with synthetic-resin paint 20 DIN seconds.

12.5 TR² Tip table



The innovative changeover nozzle from Titan combines two nozzle cores into one nozzle.



TR² Tip holder

Order no. 0271065

Application	Tip marking (1 / 2)	Spray angle (1 / 2)	Bore 1 inch / mm	Bore 2 inch / mm	Spraying width 1 mm *	Spraying width 2 mm *	Gun filter	Order no.
Cabinets, Furniture and Decks	311/107	30°/10°	0.011 / 0.28	0.007 / 0.18	150	100	red	692-311
	313/109	30°/10°	0.013 / 0.33	0.009 / 0.23	150	100	red	692-313
Doors & Trim	415/111	40°/10°	0.015 / 0.38	0.011 / 0.28	190	100	yellow	692-415
	417/113	40°/10°	0.017 / 0.43	0.013 / 0.33	190	100	white	692-417
Exterior Latex or Oil	515/211	50°/20°	0.015 / 0.38	0.011 / 0.28	225	120	yellow	692-515
Exterior Latex	517/213	50°/20°	0.017 / 0.43	0.013 / 0.33	225	120	white	692-517
	519/213	50°/20°	0.019 / 0.48	0.013 / 0.33	225	120	white	692-519
	521/215	50°/20°	0.021 / 0.53	0.015 / 0.38	225	120	white	692-521
Blockfiller	535/223	50°/20°	0.035 / 0.90	0.023 / 0.58	225	120	green	692-535
	635/327	60°/30°	0.035 / 0.90	0.027 / 0.69	270	150	green	692-635
Diluted joint compound	627/321	60°/30°	0.027 / 0.69	0.021 / 0.53	270	150	green	692-627
	831/321	80°/30°	0.031 / 0.79	0.021 / 0.53	330	150	green	692-831
WideSpray Latex	1223/315	120°/30°	0.023 / 0.58	0.015 / 0.38	540	150	white	692-1223
	1231/317	120°/30°	0.031 / 0.79	0.017 / 0.43	540	150	white	692-1231
Firestop	525/331	50°/30°	0.035 / 0.90	0.031 / 0.79	225	150	green	692-525331

12.6 Additional accessories for 460e

Order no.	Description
580-050	LX-80 spray gun, hose and tip
580-100A	LX-80 II spray gun with 517 tip
316-505	1/4" x 50' airless hose
314-482	LS-10 Liquid Shield™, 1 quart
314-480	Piston Lube™, 8 oz. bottle
0508071	PaintMate, 1 quart

¡Advertencia!

¡Atención: Peligro de lesiones por inyección!

Los equipos Airless producen unas presiones de pulverización extremadamente altas.



1

¡Nunca poner en contacto con el chorro de pulverización ni los dedos, ni las manos ni otras partes del cuerpo!

No dirigir nunca la pistola de pulverización hacia sí mismo, en dirección a otras personas y a animales.

No utilizar jamás la pistola sin el protector contra contactos.

No trate una lesión por pulverización como una lesión de corte inocua. En caso de lesiones cutáneas por contacto con material de recubrimiento o disolvente, consultar inmediatamente a un médico para un tratamiento rápido y correcto. Informe al médico sobre el material de recubrimiento o disolvente utilizado.

2

Antes de toda puesta en funcionamiento se tendrán en cuenta los puntos siguientes; conforme a las instrucciones de uso:

1. No utilizar equipo defectuoso.
2. Asegurar la pistola mediante la palanca de seguridad que se encuentra en la misma.
3. Verificar la presión de servicio admitida por la manguera de alta presión y la pistola de pulverización.
4. Controlar la hermeticidad de todos los elementos de unión.

3

Respetar estrictamente las instrucciones dadas para la limpieza y el mantenimiento del equipo que deben efectuarse con toda regularidad.

Antes de cualquier trabajo en el equipo y durante todas las pausas de trabajo, respetar sin falta las reglas siguientes:

1. Descargar la presión de la pistola y la manguera.
2. Asegurar la pistola mediante la palanca de seguridad que se encuentra en la misma.
3. Desconectar el aparato.

¡Preste atención a la seguridad!

Índice

	Página		Página
1. Normas de seguridad para la pulverización Airless	24	9. Procedimiento en caso de averías	32
1.1 Explicación de los símbolos utilizados	24	10. Mantenimiento	33
1.2 Seguridad eléctrica	25	10.1 Mantenimiento general	33
1.3 Carga electrostática (formación de chispas o llama)	26	10.2 Manguera de alta presión	33
2. Sinopsis de aplicación	26	11. Reparaciones en el aparato	33
2.1 Campos de aplicación	26	11.1 Válvula de descarga	33
2.2 Materiales de recubrimiento	26	11.2 Válvula de admisión y escape	34
3. Descripción del aparato	26	11.3 Empaquetaduras	35
3.1 Proceso Airless	26	11.4 Reemplazo del motor	36
3.2 Funcionamiento del aparato	26	11.5 Reemplazo de los engranajes	36
3.3 Leyenda del cuadro explicativo Performance Series 460e	27	11.6 Reemplazo del interruptor de presión o transductor	37
3.4 Cuadro explicativo Performance Series 460e	27	11.7 Restablecimiento de la sincronización del interruptor de presión	37
3.5 Datos técnicos	28	11.8 Reemplazo de la tarjeta de circuito	38
3.6 Transporte en el vehículo	28	11.9 Esquema eléctrico Performance Series 460e	39
4. Puesta en servicio	28	12. Apéndice	40
4.1 Manguera de alta presión, pistola de pulverización y aceite separador	28	12.1 Selección de boquillas	40
4.2 Conexión a la red de alimentación	29	12.2 Mantenimiento y limpieza de las boquillas de metal duro	40
4.3 Limpieza de agentes de conservación en la primera puesta en marcha	29	12.3 Accesorios de pistola de pulverización	40
4.4 Poner el equipo en marcha con material de recubrimiento	29	12.4 Tabla de boquillas Airless	42/42
5. Técnica de pulverización	30	12.5 Tabla de boquillas TR ²	43
6. Manejo de la manguera de alta presión	30	12.6 Accesorios adicionales para el modelo 460e	43
7. Interrupción del trabajo	30	Accesorios y piezas de recambio	66
8. Limpieza del aparato (puesta fuera de servicio)	31	Lista de piezas de recambio conjunto principal	66
8.1 Limpieza del aparato por fuera	31	Lista de piezas de recambio del sistema de aspiración	67
8.2 Filtro de aspiración	31	Lista de piezas de recambio del conjunto del mecanismo impulsor I	68
8.3 Limpieza del filtro de alta presión	31	Lista de piezas de recambio del conjunto del mecanismo impulsor II	70
8.4 Limpieza de la pistola de pulverización Airless	32	Lista de piezas de recambio del bastidor-soporte	72
		Garantía	73

1. Normas de seguridad para la pulverización Airless

1.1 Explicación de los símbolos utilizados

El presente manual contiene información que deberá leer y comprender bien antes de utilizar el equipo. Cuando llegue a una sección que tenga uno de los siguientes símbolos, preste especial atención y asegúrese de que se cumplen las medidas de seguridad.

	Este símbolo indica un peligro potencial que puede provocar lesiones graves e incluso la muerte. A continuación se incluye información importante de seguridad.
 Atención	Este símbolo indica un peligro potencial para usted o para el equipo. A continuación se incluye información importante para evitar daños al equipo o evitar situaciones que podrían provocar lesiones de segundo orden.
	Peligro de lesiones por inyección
	Peligro de incendio
	Peligro de explosión
	Mezclas de vapores tóxicos y/o inflamables. Peligro de intoxicación y quemadura
	Las notas añaden información importante a la que debe prestarse especial atención.



PELIGRO: Lesión causada por inyección

¡Atención: Peligro de lesiones por inyección! La corriente de líquido a alta presión que produce este equipo puede perforar la piel y tejidos interiores, pudiendo provocar graves lesiones e incluso hay posibilidad de amputación.

No trate una lesión por pulverización como una lesión de corte inocua. En caso de lesiones cutáneas por contacto con material de recubrimiento o disolvente, consultar inmediatamente a un médico para un tratamiento rápido y correcto. Informe al médico sobre el material de recubrimiento o disolvente utilizado.

PREVENCIÓN:

- NUNCA dirija la pistola a ninguna parte del cuerpo.
- NUNCA toque con ninguna parte del cuerpo la corriente de líquido. NO toque con ninguna parte del cuerpo ninguna fuga en la manguera de líquido.
- NUNCA ponga la mano delante de la pistola. Los guantes no serán protección suficiente contra una lesión por inyección.
- Ponga SIEMPRE el seguro del gatillo de la pistola, cierre la bomba y libere toda la presión antes de realizar labores de mantenimiento y reparación, limpiar la boquilla o el protector, cambiar la boquilla o dejar de usarla. La presión no se descargará apagando el motor. La válvula PRIME/SPRAY (cebar/pulverizar) o válvula de purga de presión debe estar en la posición adecuada para liberar la presión del sistema.

- Mantenga SIEMPRE el protector de la boquilla en su sitio mientras pulveriza. El protector de la boquilla ofrece cierta protección pero principalmente se trata de un dispositivo de advertencia.
- Desmonte SIEMPRE la boquilla pulverizadora antes de enjuagar o limpiar el sistema.
- NUNCA use una pistola pulverizadora si el seguro del gatillo no funciona o si la protección del gatillo no está en su sitio.
- Todos los accesorios deben cumplir o superar las especificaciones nominales para la gama de presiones de funcionamiento del pulverizador. Esto incluye boquillas pulverizadoras, pistolas, extensiones y manguera.



PELIGRO: Manguera de alta presión

En la manguera de pintura pueden aparecer fugas a causa del desgaste, de retorcimientos o de un mal uso. Una fuga puede proyectar material hacia la piel. Revise siempre la manguera antes de usarla.

PREVENCIÓN:

- Comprobar atentamente la manguera de alta presión antes de cada uso.
- Sustituir inmediatamente la manguera de alta presión dañada.
- ¡No repare nunca usted mismo una manguera de alta presión defectuosa!
- Evitar doblarla o plegarla demasiado, radio de flexión mínimo, aprox. 20 cm.
- No pasar por encima de la manguera de alta presión, protegerla contra contactos con objetos agudos y cantos cortantes.
- No tirar nunca de la manguera de alta presión para desplazar el equipo.
- No torcer la manguera de alta presión.
- No sumergir la manguera de alta presión en disolventes. Limpiar el exterior únicamente con un paño empapado.
- Tender la manguera de alta presión de manera que no pueda representar un riesgo de tropiezo.



Por razones de funcionamiento, seguridad y duración, emplear únicamente mangueras de alta presión originales de Titan.



PELIGRO: Explosiones e incendios

Los humos de las pinturas y disolventes pueden explotar o inflamarse, pudiendo provocar lesiones graves y/o daños materiales.

PREVENCIÓN:

- No utilice materiales con un punto de ignición por debajo de 38 °C (100 °F). El punto de ignición es la temperatura a la que un fluido puede producir vapores suficientes como para que se inflamen.
- No utilizar el aparato en locales de fabricación que están bajo ordenanza de protección contra explosión.
- Permita una zona de escape amplia y que entre aire fresco para que el aire dentro de la zona de pulverización no acumule vapores inflamables.
- Evite todas las fuentes de ignición, tales como chispas por electricidad estática, aparatos eléctricos, llamas, luces indicadoras, objetos calientes y chispas producidas al conectar y desconectar cables de alimentación o interruptores de luces en funcionamiento.
- No fume en la zona de pulverización.

- Coloque el pulverizador a una distancia suficiente del objeto a pulverizar en un área bien ventilada (añada más manguera si es necesario). Los vapores inflamables suelen ser más pesados que el aire. El área del suelo debe estar perfectamente ventilada. La bomba contiene piezas que forman arcos eléctricos y sueltan chispas, pudiendo inflamar los vapores.
- El equipo y los objetos alrededor y en la zona de pulverización deben estar puestos a tierra adecuadamente para evitar chispas estáticas.
- Use solamente una manguera conductora o a tierra para líquido a alta presión. La pistola debe estar puesta a tierra a través de las conexiones de la manguera.
- El cable de alimentación debe estar conectado a un circuito puesto a tierra (sólo unidades eléctricas).
- Enjuague siempre la unidad en un recipiente de metal aparte, a baja presión de la bomba y con la boquilla quitada. Sujete la pistola con firmeza contra el lateral del recipiente para poner a tierra dicho recipiente y evitar así chispas estáticas.
- Siga las instrucciones y advertencias del fabricante del material y del disolvente. Familiarícese con la hoja de datos de seguridad de materiales e información técnica del material de recubrimiento para garantizar un uso seguro.
- Use la mínima presión posible cuando enjuague el equipo.
- Al limpiar el aparato con disolvente no se debe pulverizar o bombar a un recipiente con orificio pequeño (ojo de barril). Peligro de formación de una mezcla de gas/aire explosiva. El recipiente deberá estar puesto a tierra.



PELIGRO: Vapores peligrosos

Las pinturas, disolventes, y otros materiales pueden ser perjudiciales si se inhalan o entran en contacto con el cuerpo. Los vapores pueden provocar náuseas intensas, desmayos o envenenamiento.

PREVENCIÓN:

- Ponerse una careta respiratoria durante los trabajos de pulverización. Lea todas las instrucciones facilitadas con la mascarilla para asegurarse de que proporciona toda la protección necesaria.
- Se deben respetar todas las normas de seguridad con respecto a la protección contra vapores dañinos.
- Lleve gafas protectoras.
- Para proteger la piel se necesitan especialmente ropa protectora, guantes y, si es necesario, crema cutánea de protección. Prestar atención a las prescripciones de los fabricantes con respecto a materiales de recubrimiento, disolventes y agentes limpiadores durante la preparación, el tratamiento y la limpieza de los aparatos.



PELIGRO: General

Pueden producirse lesiones graves o daños materiales.

PREVENCIÓN:

- Cumpla todos los reglamentos locales, estatales y nacionales pertinentes relativos a ventilación, prevención de incendios y funcionamiento.
- Al apretar el gatillo, la mano que sujeta la pistola pulverizadora experimenta una fuerza de retroceso. La fuerza de retroceso de la pistola pulverizadora es especialmente fuerte cuando se quita la boquilla y se selecciona una presión alta para la bomba airless. Cuando vaya a limpiar la boquilla pulverizadora, ponga la perilla de control de presión al mínimo.
- Emplee solamente piezas autorizadas por el fabricante. El usuario asumirá todos los riesgos y toda la responsabilidad cuando utilice piezas que no cumplan con las especificaciones

mínimas y dispositivos de seguridad del fabricante de la bomba.

- Siga SIEMPRE las instrucciones del fabricante del material para que la manipulación de pinturas y disolventes sea segura.
- Limpie inmediatamente todos los derrames de materiales y solventes para evitar el peligro de deslizamiento.
- Lleve protección para los oídos. El aparato puede producir niveles de ruido superiores a 85 dB(A).
- Nunca deje este equipo sin vigilancia. Manténgalo fuera del alcance de los niños o de cualquier persona que no esté familiarizada con el funcionamiento de equipos airless.
- No pulverice al aire libre si hace viento.
- El dispositivo y todos los líquidos relacionados (es decir, aceite hidráulico) se deben desechar de una forma amigable con el medioambiente.

1.2 Seguridad eléctrica

Los modelos eléctricos deben conectarse a tierra. En caso de cortocircuito eléctrico, la puesta a tierra reduce el peligro de descarga eléctrica al proporcionar un hilo de escape para la corriente eléctrica. Este producto está provisto de un cable que tiene un hilo de puesta a tierra con un enchufe de tierra adecuado. Conexión a la red de alimentación sólo a través de un punto de alimentación especial, p.ej. a través de un dispositivo protector contra corriente defectuosa con INF 30 mA.



PELIGRO — Los trabajos y las reparaciones en el sistema eléctrico deben ser ejecutados únicamente por un electricista cualificado. No asumimos ninguna responsabilidad en caso de una instalación inadecuada. Desconectar el equipo. Antes de toda reparación – extraer la clavija de red de la caja de enchufe.

Peligro de cortocircuito mediante agua infiltrada en el dispositivo eléctrico. No pulverizar nunca el aparato con detergente o vapor detergente de alta presión.

Trabajos o reparaciones en el equipamiento eléctrico:

Disponer su ejecución únicamente por un electricista competente. No se asume ninguna responsabilidad por la instalación inadecuada.

1.3 Carga electrostática (formación de chispas o llama)



A raíz de la velocidad de circulación del material de recubrimiento durante la pulverización, pueden eventualmente producirse cargas electrostáticas en el equipo. Éstas pueden dar lugar a formación de chispas o llama al descargarse. Por eso es necesario que el aparato esté siempre conectado a tierra a través de la instalación eléctrica. La conexión debe realizarse a través de una caja de enchufe conectada a tierra de debida forma.

La carga electrostática de la pistola de pulverización y la manguera de alta presión se descarga a través de la manguera de alta presión. Por esa razón, la resistencia eléctrica entre los empalmes de la manguera de alta presión debe ser igual o menor a 197 k Ω /m (60 k Ω /ft.).

2. Sinopsis de aplicación

2.1 Campos de aplicación

El rendimiento del Performance Series 460e está previsto para permitir el procesamiento de pinturas de dispersión para objetos pequeños y medianos en el sector interior.

Ejemplos de objetos de pulverización

Ambos equipos son adecuados para todos los trabajos de laqueado usuales, como por ejemplo: Puertas, marcos de puerta, barandillas, muebles, revestimientos de madera, cercas, radiadores y piezas de acero.

2.2 Materiales de recubrimiento

Materiales de recubrimiento procesables



Preste atención a la calidad Airless de los materiales de recubrimiento a procesar.

Lacas y pinturas diluibles con agua y que contienen disolvente, materiales de recubrimiento bicomponentes, dispersiones, pinturas látex, agentes de desmoldeo, óleos, primera capa, pinturas de imprimación y masillas.

El procesamiento de otros materiales de recubrimiento se admite sólo con autorización de la empresa TITAN.

Filtrado

Pese al filtro de aspiración y el filtro enchufable en la pistola de pulverización, se recomienda en general realizar un filtrado del material de recubrimiento. Agitar bien el material de recubrimiento antes de proceder al trabajo.



Atención: Al remover con un mecanismo agitador accionado a motor, prestar atención de que no se formen burbujas, ya que éstas dificultan la pulverización, y pueden también interrumpir el funcionamiento.

Viscosidad

El aparato permite procesar materiales de recubrimiento de alta viscosidad hasta aprox. 20.000 mPa·s. Si no es posible la aspiración de materiales de recubrimiento, se han de diluir conforme a las indicaciones del fabricante.

Materiales de recubrimiento bicomponentes

Se cumplirá exactamente el tiempo de procesamiento correspondiente. Durante este tiempo el aparato deberá lavarse y limpiarse cuidadosamente con el respectivo agente limpiador.

Materiales de recubrimiento con sustancias accesorias de canto vivo

Estos ejercen un fuerte efecto desgastador sobre las válvulas, la manguera de alta presión, la pistola de pulverización y la boquilla, lo cual puede acortar considerablemente la duración de estas piezas.

3. Descripción del aparato

3.1 Proceso Airless

Los campos de aplicación principales son el recubrimiento con capas gruesas de material de recubrimiento de alta viscosidad de grandes superficies y con alta aplicación de material.

Una bomba de pistón aspira el material de recubrimiento y lo transporta a presión a la boquilla. El material de recubrimiento se pulveriza impulsado a través de la boquilla a una presión de hasta 20,7 MPa (207 barios). Esta alta presión produce una pulverización micrométrica del material de recubrimiento.

Dado que en este sistema no se utiliza aire, este proceso se denomina proceso AIRLESS (exento de aire).

Esta forma de pulverizar reúne las ventajas de la más fina pulverización, un funcionamiento pobre en neblinas y una superficie lisa y sin burbujas. Junto a estas ventajas se pueden mencionar la velocidad de trabajo y la gran manejabilidad.

3.2 Funcionamiento del aparato

A continuación la estructuración técnica a grandes rasgos, a fin de una mejor comprensión del funcionamiento.

Titan Performance Series 460e son equipos de pulverización de alta presión con accionamiento eléctrico.

Un mecanismo de engranajes transfiere la fuerza motriz a un eje de cigüeñal, que mueve arriba y abajo el pistón de la bomba de transporte de material.

La válvula de admisión abre automáticamente mediante el movimiento ascendente del pistón. La válvula de escape abre durante el movimiento descendente del pistón.

El material de recubrimiento se transporta a alta presión a través de la manguera de alta presión a la pistola de pulverización. El material de recubrimiento se pulveriza al salir por la boquilla.

El regulador de presión regula la cantidad de transporte y la presión de servicio del material de recubrimiento.

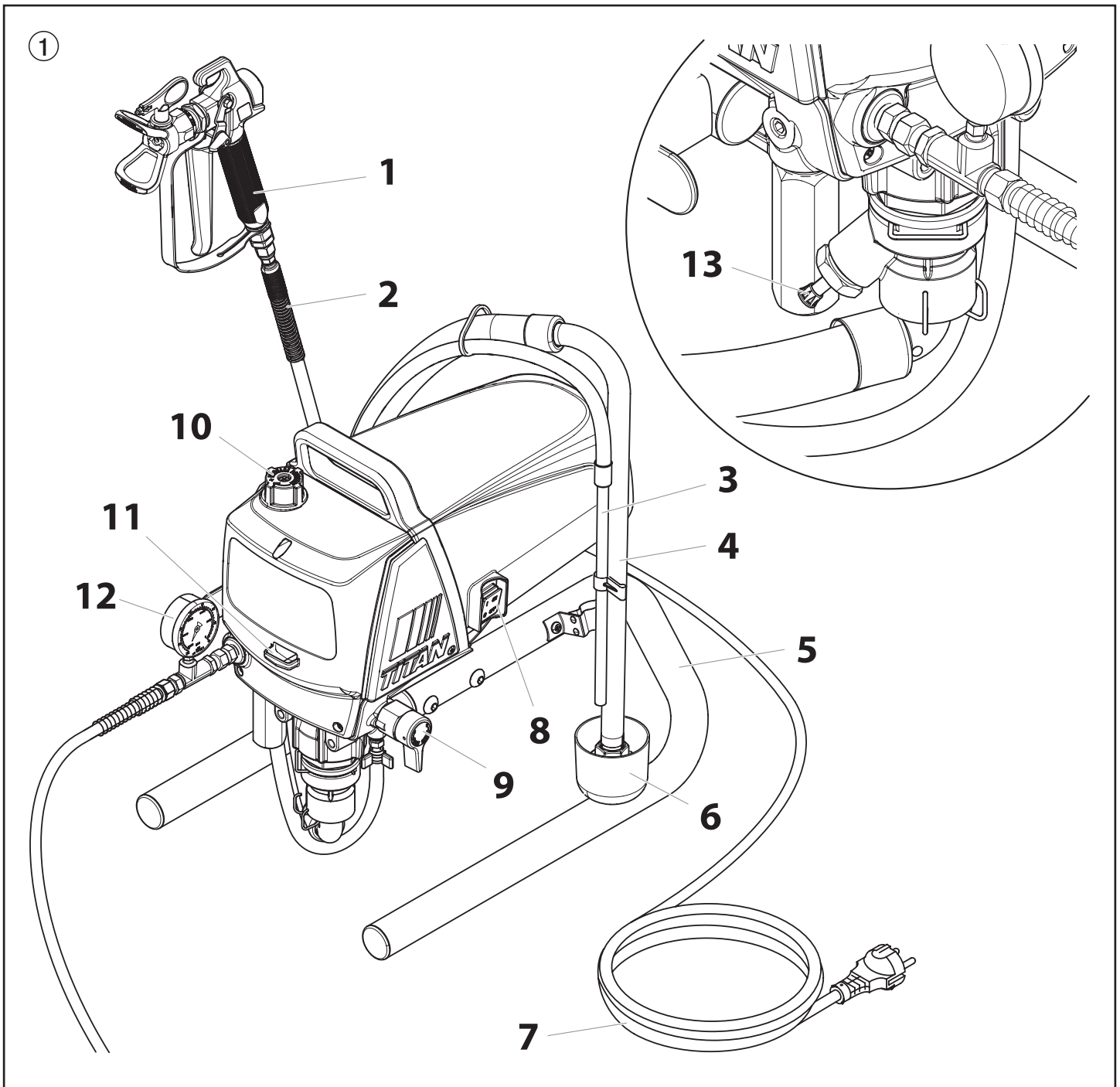


El modelo Titan Performance Series 460e está disponible en diferentes configuraciones. Toda la información que se brinda en este manual corresponde a todas las configuraciones, a menos que se especifique lo contrario.

3.3 Leyenda del cuadro explicativo Performance Series 460e

- | | | | |
|---|------------------------------|----|--|
| 1 | Pistola de pulverización | 9 | Válvula de descarga |
| 2 | Manguera de alta presión | | Palanca en posición vertical – PRIME (↻ circulación) |
| 3 | Manguera de retorno | | Palanca en posición horizontal – SPRAY (☞ pulverizar) |
| 4 | Manguera de aspiración | 10 | Mando regulador de presión |
| 5 | Bastidor-soporte | 11 | Abertura de relleno para Piston Lube (el Piston Lube evita el desgaste excesivo de las empaquetaduras) |
| 6 | Recipiente de limpieza | 12 | Manómetro (si lo hay) |
| 7 | Cable de conexión | 13 | Vástago impulsor (si lo hay) |
| 8 | Interruptor ON/CON – OFF/DES | | |

3.4 Cuadro explicativo Performance Series 460e



3.5 Datos técnicos

Tensión	
	220~240 VAC, 50/60 Hz o 100~120 VAC, 50/60 Hz
Consumo de corriente máx.	
220~240 VAC	5,5 A
100~120 VAC	12 A
Cable de conexión	
	Página 68
Potencia consumida	
	1000 Watt
Presión de servicio máx.	
	207 bar (20,7 MPa)
Intensidad volumétrica a 120 barios (12 MPa) con agua	
	1,62 l/min
Tamaño de boquilla máx.	
	0,021 inch (pulgada) – 0,53 mm
Temperatura máx. del material de recubrimiento	
	43°C
Viscosidad máx.	
	20.000 MPa·s
Peso	
	13,6 kg
Manguera especial de alta presión	
	6,35 mm, 15 m - 1/4" - 18 NPSM
Medidas (L x B x H)	
	441 x 324 x 415 mm
Vibración	
	La pistola pulverizadora no excede los 2,5m/s ²
Nivel de presión sonora máx.	
	80 dB*

* Punto de medida: Distancia lateral al aparato 1 m y 1,60 m sobre el suelo, 12 MPa (120 barios) presión de servicio, suelo anticústico

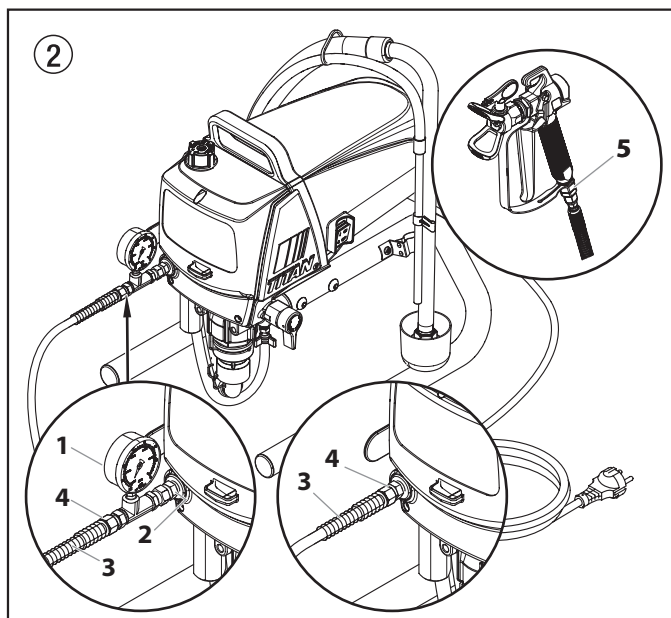
3.6 Transporte en el vehículo

Asegurar el aparato con medios de sujeción adecuados.

4. Puesta en servicio

4.1 Manguera de alta presión, pistola de pulverización y aceite separador

1. Si lo hay - Enroscar el manómetro (Fig. 2, Pos. 1) en la salida de material de recubrimiento (2).
2. Enroscar la manguera de alta presión (3) en la salida de material de recubrimiento (Fig. 2, Pos. 4)
3. Atornillar la pistola de pulverización (5) con la boquilla elegida en la manguera de alta presión.
4. Apretar bien la tuerca tapón en la manguera de alta presión, para que no salga material de recubrimiento.

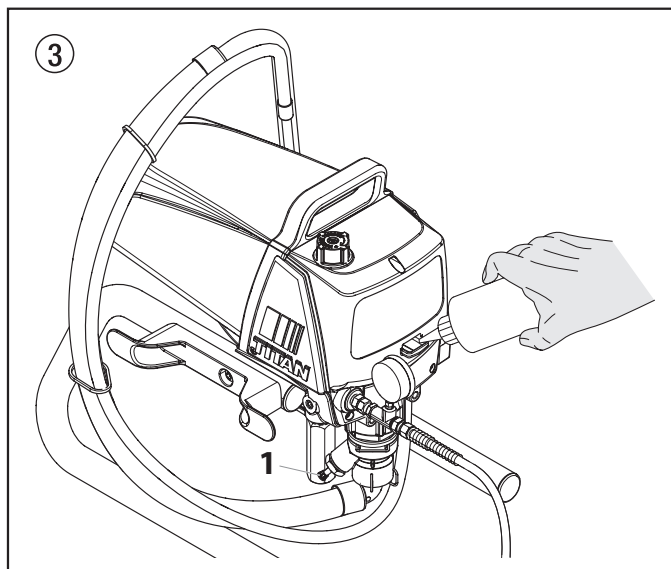


5. Rellenar tal cantidad Piston Lube (Fig. 3), de manera que no gotee en el depósito de material de recubrimiento.



Atención

El Piston Lube evita el desgaste excesivo de las empaquetaduras.



6. Si lo hay - Presione completamente el vástago impulsor (Fig. 3, Pos. 1) para asegurarse de que la bola de entrada esté libre.

4.2 Conexión a la red de alimentación



La conexión debe realizarse a través de una caja de enchufe con contacto protector de tierra reglamentario.

Antes de conectar a la red de alimentación, prestar atención de que la tensión de red coincida con los datos indicados en la placa de características del equipo.

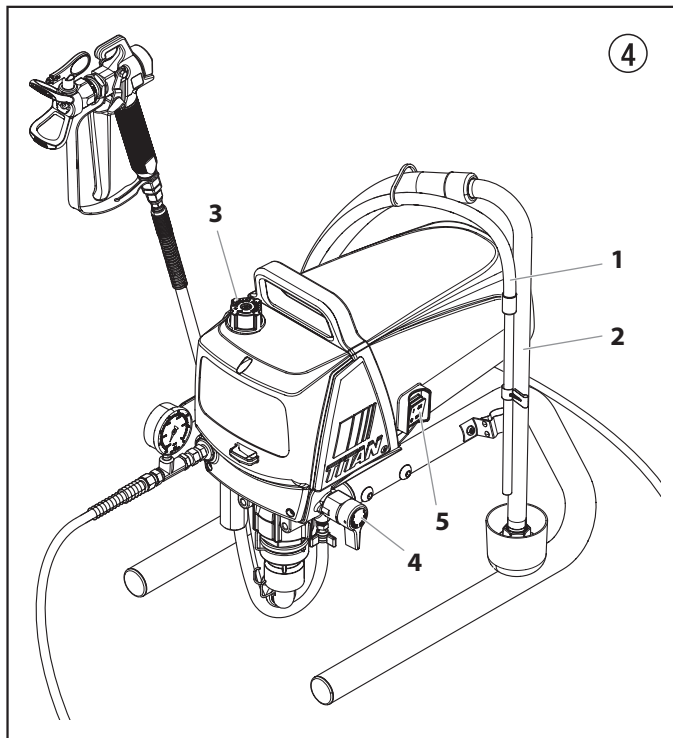
La conexión tiene que estar dotada de un interruptor de corriente de defecto INF \leq 30 mA.



En el programa de accesorios Titan encuentra dispositivos eléctricos de protección personal móvil, que usted puede también utilizar con otros equipos eléctricos.

4.3 Limpieza de agentes de conservación en la primera puesta en marcha

1. Sumergir la manguera de aspiración (Fig. 4, Pos. 2) y la manguera de retorno (1) en un depósito con agente limpiador adecuado.
2. Girar el mando regulador de presión (3) a mínima presión.
3. Abrir la válvula de descarga (4), posición de válvula PRIME (↻ circulación).
4. Conectar el equipo (5) ON (CON).
5. Esperar hasta que por la manguera de retorno salga detergente.
6. Cerrar la válvula de descarga, posición de válvula SPRAY (↻ pulverizar).
7. Apretar el gatillo de la pistola de pulverización.
8. Pulverizar agente limpiador fuera del aparato a un recipiente colector abierto.



4.4 Poner el equipo en marcha con material de recubrimiento

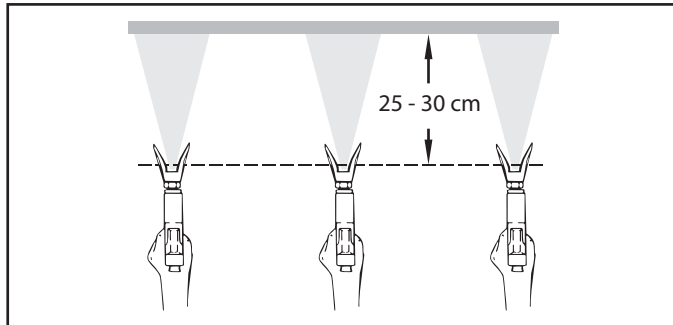
1. Sumergir la manguera de aspiración (Fig. 4, Pos. 2) y la manguera de retorno (1) en el depósito con material de recubrimiento.
2. Girar el mando regulador de presión (3) a mínima presión.
3. Abrir la válvula de descarga (4), posición de válvula PRIME (↻ circulación).
4. Conectar el equipo (5) ON (CON)
5. Esperar hasta que por la manguera de retorno salga material de recubrimiento.
6. Cerrar la válvula de descarga, posición de válvula SPRAY (↻ pulverizar).
7. Apretar el gatillo de la pistola de pulverización varias veces y pulverizar en un recipiente colector, hasta que el material de recubrimiento salga de forma ininterrumpida por la pistola de pulverización.
8. Aumentar la presión girando el mando regulador de presión lentamente a una posición de presión más alta.
Comprobar la proyección del pulverizado, aumentando la pulverización hasta que sea impecable.
Girar el mando regulador de presión siempre a la posición más baja, que todavía permita buena pulverización.
9. El aparato está disponible para pulverizar.

5. Técnica de pulverización

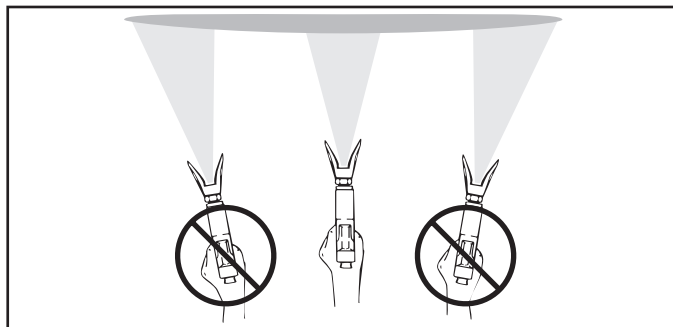


Peligro de inyección. No pulverice sin la protección de la punta en su lugar. NUNCA apriete el gatillo de la pistola a menos que la punta esté completamente girada en la posición de pulverización o de destrabado. SIEMPRE bloquee el gatillo de la pistola antes de retirar, reemplazar o limpiar la punta.

La clave para un buen trabajo de pintura es recubrir de forma pareja toda una superficie. Mueva su brazo a una velocidad constante y mantenga la pistola pulverizadora a una distancia constante de la superficie. La mejor distancia para pulverizar es de 25 a 30 cm entre la punta de pulverización y la superficie.

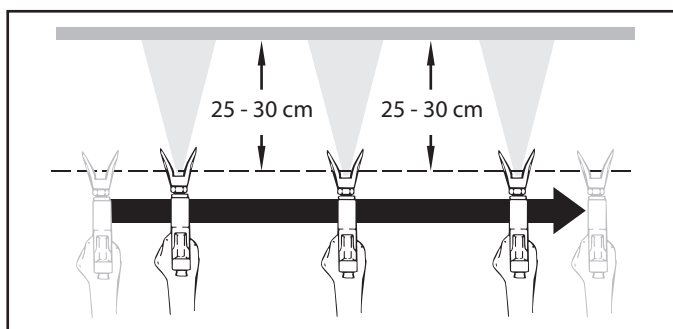


Mantenga la pistola pulverizadora en ángulos rectos respecto de la superficie. Esto quiere decir que debe mover todo el brazo de un lado a otro y no solo mover la muñeca.



Mantenga la pistola pulverizadora de forma perpendicular a la superficie, de lo contrario un extremo del patrón será más grueso que el otro.

Apriete el gatillo después de comenzar el trazo. Suelte el gatillo antes de terminar el trazo. La pistola pulverizadora debería estar en movimiento cuando se aprieta y suelta el gatillo. Superponga cada trazo cerca de 30%. Esto garantizará un recubrimiento parejo.



Al presentarse zonas con bordes y franjas en el chorro de pulverizado – aumentar la presión de servicio o diluir el material de recubrimiento.

6. Manejo de la manguera de alta presión

El aparato está equipado con una manguera de alta presión especialmente adecuada para bombas de pistón.



Riesgo de lesiones mediante manguera de alta presión con fugas. Sustituir inmediatamente la manguera de alta presión dañada. ¡No reparar nunca una manguera de alta presión defectuosa!

La manguera de alta presión se tiene que manejar con cuidado. Evitar doblarla o plegarla demasiado, radio de flexión mínimo, aprox. 20 cm. No pasar por encima de la manguera de alta presión, protegerla contra contactos con objetos agudos y cantos cortantes.

No tirar nunca de la manguera de alta presión para desplazar el equipo.

Prestar atención a que la manguera de alta presión no se pueda torcer. Esto se puede evitar utilizando una pistola de pulverización Titan con articulación giratoria y un tambor de manguera.



Para el manejo de la manguera de alta presión durante trabajos en andamios se ha comprobado como más ventajoso, dirigir la manguera siempre por la parte exterior del andamio.



En mangueras de alta presión viejas aumenta el riesgo de defectos. Titan recomienda sustituir la manguera de alta presión al cabo de 6 años.



Por razones de funcionamiento, seguridad y duración, emplear únicamente mangueras de alta presión originales de Titan.

7. Interrupción del trabajo

1. Abrir la válvula de descarga, posición de válvula PRIME (↻ circulación).
2. Desconectar el equipo OFF (DES).
3. Girar el mando regulador de presión a mínima presión.
4. Apretar el gatillo de la pistola de pulverización, para descargar la presión de la manguera de alta presión y de la pistola de pulverización.
5. Asegurar la pistola de pulverización, véase las instrucciones de funcionamiento de la pistola de pulverización.
6. Si tiene que limpiarse la boquilla, véase la página 40, apartado 12.2.
Si está montada una boquilla de distinto modelo, proceder conforme al manual de instrucciones.
7. Dejar sumergidas la manguera de aspiración y la manguera de retorno o sumergirlas en un material de recubrimiento apropiado.



Atención

Al emplear materiales de recubrimiento de secado rápido - o bicomponentes, lavar el aparato a fondo sin falta con agente limpiador adecuado, dentro del tiempo de procesamiento.

8. Limpieza del aparato (puesta fuera de servicio)

La limpieza es la más segura garantía para un funcionamiento sin desperfectos. Después de terminar los trabajos de pulverización, limpiar el aparato. De ninguna manera deben secarse y quedar restos de material de recubrimiento pegados en el aparato.

El agente limpiador utilizado para la limpieza (sólo con un punto de inflamación superior a 21°C) debe corresponder al material de recubrimiento.

- **Asegurar la pistola de pulverización**, véase las instrucciones de funcionamiento de la pistola de pulverización.

Limpiar y desmontar la boquilla.

Boquilla estándar, véase la página 40, apartado 12.2.

Si está montada una boquilla de distinto modelo, proceder conforme al manual de instrucciones.

1. Sacar la manguera de aspiración fuera del material de recubrimiento.
2. Cerrar la válvula de descarga, posición de válvula SPRAY (→ pulverización).
3. Conectar el equipo ON (CON).



Atención

Para materiales de recubrimiento que contienen disolvente, el recipiente deberá estar puesto a tierra.



¡Cuidado! ¡No bombear o pulverizar en recipientes con orificio pequeño (ojo de barril)! Véase Normas de seguridad.

4. Apretar el gatillo de la pistola de pulverización, para bombear el resto de material de recubrimiento de la manguera de aspiración, la manguera de alta presión y la pistola de pulverización, a un recipiente abierto.
5. Sumergir la manguera de aspiración con la manguera de retorno en un depósito con agente limpiador adecuado.
6. Girar el mando regulador de presión a mínima presión.
7. Abrir la válvula de descarga, posición de válvula PRIME (↻ circulación).
8. Bombear agente limpiador adecuado en la circulación durante algunos minutos.
9. Cerrar la válvula de descarga, posición de válvula SPRAY (→ pulverización).
10. Apretar el gatillo de la pistola de pulverización.
11. Bombear el resto de agente limpiador en un recipiente abierto, hasta vaciar el aparato.
12. Desconectar el equipo OFF (DES).

8.1 Limpieza del aparato por fuera



Atención

Extraer primero la clavija de red de la caja de enchufe.



Atención

¡Peligro de cortocircuito mediante agua infiltrada. No pulverizar nunca el aparato con detergente o vapor detergente de alta presión.



Atención

No sumergir la manguera de alta presión en disolventes. Limpiar el exterior únicamente con un paño empapado.

Restregar el aparato por fuera con un paño empapado con agente limpiador adecuado.

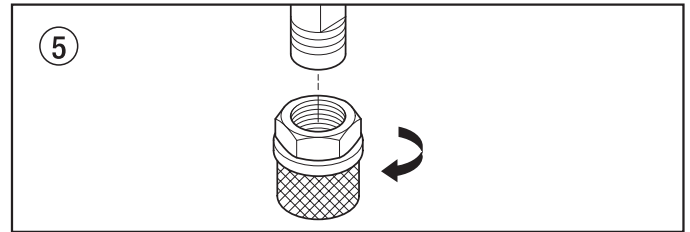
8.2 Filtro de aspiración



Un filtro de aspiración limpio garantiza siempre máxima cantidad transportada, presión de pulverización constante y un correcto funcionamiento del aparato.

1. Destornillar el filtro (Fig. 5) del tubo de aspiración.
2. Limpiar o cambiar el filtro.

Ejecutar la limpieza con un pincel duro y el respectivo agente limpiador.



8.3 Limpieza del filtro de alta presión



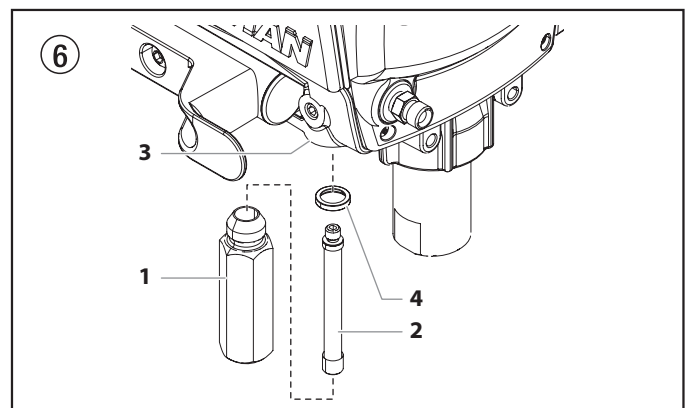
Limpiar el cartucho de filtro con regularidad. Un filtro de alta presión sucio u obstruido da lugar a una proyección del pulverizado deficiente o una boquilla obstruida.

1. Girar el mando regulador de presión a mínima presión.
2. Abrir la válvula de descarga, posición de válvula PRIME (↻ circulación).
3. Desconectar el equipo OFF (DES).



Extraer la clavija de red de la caja de enchufe.

4. Desenroscar la caja de filtro (Fig. 6, Pos. 1) con llave de cinta abrazadora.
5. Destornille el filtro (2) del múltiple de la bomba (3), para girarlo en el sentido de las agujas del reloj.
6. Limpiar todas las piezas con agente limpiador apropiado. Si es necesario, cambiar el cartucho de filtro.
7. Comprobar el anillo tórico (4), sustituirlo si es necesario.
8. Atornille el filtro limpio o nuevo en el múltiple de la bomba para girarlo en sentido contrario al de las agujas del reloj.
9. Atornillar la caja de filtro (1) y apretarla con llave de cinta abrazadora hasta el tope.



8.4 Limpieza de la pistola de pulverización Airless

1. Lavar el interior de la pistola de pulverización Airless a baja presión de servicio con agente limpiador adecuado.
2. Limpiar a fondo la boquilla con agente limpiador detergente adecuado, de manera que no quede ningún resto de material de recubrimiento.
3. Limpiar a fondo la pistola de pulverización Airless por fuera.

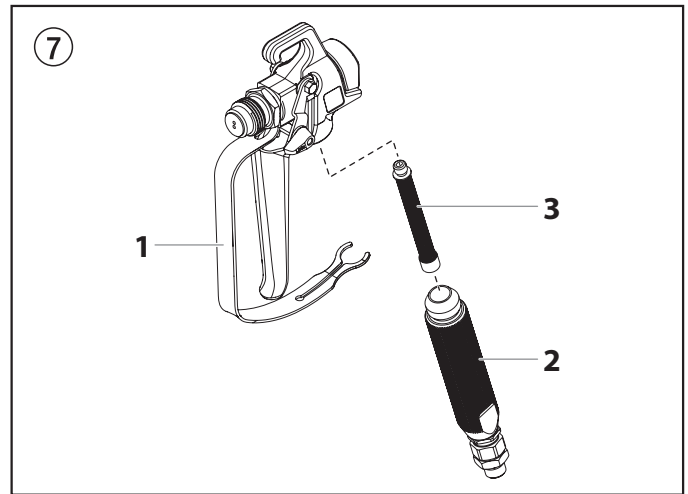
Filtro enchufable en la pistola de pulverización Airless

Desmontaje (Fig. 7)

1. Tirar el estribo protector (1) con fuerza hacia adelante.
2. Destornillar la empuñadura (2) fuera de la carcasa de la pistola. Extraer el filtro enchufable (3).
3. Sustituir el filtro enchufable obstruido o defectuoso.

Montaje

1. Meter el filtro enchufable (3) con el cono más largo en la carcasa de la pistola.
2. Atornillar y apretar la empuñadura (2) en la carcasa de la pistola.
3. Encajar el estribo protector (1)



9. Procedimiento en caso de averías

Avería	Causa posible	Eliminación de la avería
A. El aparato no arranca	<ol style="list-style-type: none"> 1. No hay tensión de alimentación. 2. Ajuste de presión demasiado bajo. 3. Interruptor ON/OFF defectuoso. 	<ol style="list-style-type: none"> 1. Comprobar el abastecimiento de tensión. 2. Aumentar girando el mando regulador de presión. 3. Sustituir
B. El aparato no aspira	<ol style="list-style-type: none"> 1. Válvula de descarga ajustada para SPRAY (pulverización). 2. El filtro sobrepasa el nivel de líquido o aspira aire. 3. Filtro obstruido. 4. Manguera de aspiración suelta, el equipo aspira aire secundario. 	<ol style="list-style-type: none"> 1. Ajustar la válvula de descarga para PRIME (circulación). 2. Rellenar material de recubrimiento. 3. Limpiar o sustituir el filtro. 4. Limpiar los sitios de empalme, sustituir los anillos tóricos si es necesario. Asegurar la manguera de aspiración con grapa de sujeción.
C. El aparato no aspira, no se establece la presión de servicio	<ol style="list-style-type: none"> 1. Boquilla demasiado gastada. 2. Boquilla demasiado grande. 3. Ajuste de presión demasiado bajo. 4. Filtro obstruido. 5. El material de recubrimiento fluye a través de la manguera de retorno, cuando la válvula de descarga está en posición SPRAY (pulverización). 6. Empaquetaduras pegadas o gastadas. 7. Bolas de válvula gastadas. 8. Encajes de válvula gastados. 	<ol style="list-style-type: none"> 1. Sustituir 2. Sustituir la boquilla más pequeña. 3. Gire el regulador de presión en el sentido de las agujas del reloj para aumentar. 4. Limpiar o sustituir el filtro. 5. Desmontar la válvula de descarga y limpiarla o sustituirla. 6. Desmontar las empaquetaduras, limpiarlas o sustituirlas. 7. Desmontar las bolas de válvula y sustituirlas. 8. Desmontar las bolas de válvula y sustituirlas.
D. El material de recubrimiento sale fuera de la zona de pintura	<ol style="list-style-type: none"> 1. La empaquetadura superior está gastada. 2. El pistón está gastado. 	<ol style="list-style-type: none"> 1. Desmontar la empaquetadura y sustituirla. 2. Desmontar el pistón y sustituirlo.
E. El equipo pierde potencia	<ol style="list-style-type: none"> 1. Ajuste de presión demasiado bajo. 	<ol style="list-style-type: none"> 1. Gire el regulador de presión en el sentido de las agujas del reloj para aumentar.
F. Pulsación elevada en la pistola de pulverización	<ol style="list-style-type: none"> 1. Manguera de alta presión incorrecta. 2. Boquilla gastada o demasiado grande. 3. Presión muy alta. 	<ol style="list-style-type: none"> 1. Por razones de funcionamiento, seguridad y duración, emplear únicamente mangueras de alta presión originales de TITAN. 2. Sustituir la boquilla. 3. Girar el mando regulador de presión a una cifra más baja.
G. Mala proyección del pulverizado	<ol style="list-style-type: none"> 1. Boquilla demasiado grande para el material de recubrimiento a pulverizar. 2. Ajuste de presión incorrecto. 3. Cantidad de transporte demasiado baja. 4. Material de recubrimiento de muy alta viscosidad. 	<ol style="list-style-type: none"> 1. Sustituir la boquilla. 2. Girar el mando regulador de presión hasta obtener una proyección del pulverizado satisfactoria. 3. Limpiar o sustituir todos los filtros. 4. Diluir conforme a la indicación del fabricante.
H. La bomba se sobrepresuriza y no se apagará.	<ol style="list-style-type: none"> 1. El interruptor automático por caída de presión está defectuoso. 2. El transductor está defectuoso. 	<ol style="list-style-type: none"> 1. Lleve la unidad a un centro de servicio autorizado de Titan. 2. Lleve la unidad a un centro de servicio autorizado de Titan.

10. Mantenimiento

10.1 Mantenimiento general

El mantenimiento del equipo deberá ser realizado por el servicio postventa de Titan una vez al año.

1. Comprobar los deterioros en las mangueras de alta presión, la tubería de conexión de aparatos y los conectores.
2. Comprobar el desgaste de la válvula de admisión, la válvula de escape y el filtro.

10.2 Manguera de alta presión

Comprobar visualmente la eventual presencia de cortes o desabolladuras en la manguera de alta presión, especialmente en el paso a la grifería. Las tuercas tapón deben tener giro libre.



Atención

En mangueras de alta presión viejas aumenta el riesgo de defectos. Titan recomienda sustituir la manguera de alta presión al cabo de 6 años.

11. Reparaciones en el aparato



Desconectar el equipo OFF (DES).

Antes de toda reparación – extraer la clavija de red la caja de enchufe.

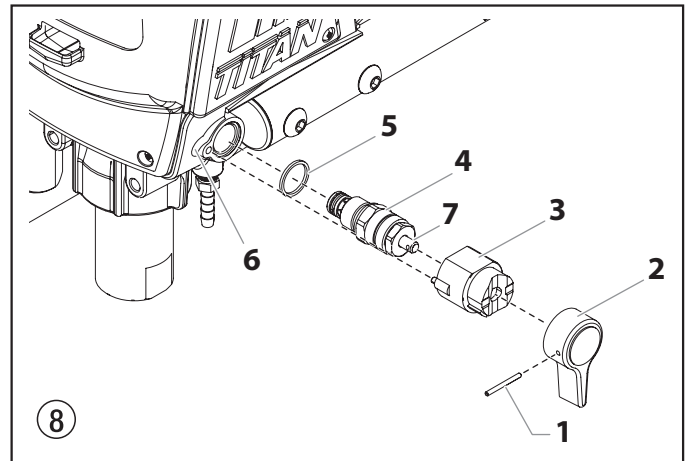
11.1 Válvula de descarga



Atención

No se debe reparar la carcasa de la válvula (4). Si está desgastada, siempre se debe reemplazar con una nueva.

1. Quitar con un punzón de 2 mm el pasador cónico hendido (Fig. 8, Pos. 1) del agarradero de la válvula de descarga (2).
2. Extraer el agarradero de la válvula de descarga (2) y el tope de arrastre (3).
3. Desenroscar la caja de válvula (4) completa con una llave ajustable por rodillo sin fin.
4. Verificar el asiento correcto de la junta (5), luego enroscar una nueva caja de válvula (4) completa en la caja de escala cromática (6). Apretar con llave ajustable por rodillo sin fin.
5. Alinear el tope de arrastre (3) en el taladro de la caja de escala cromática (6). Deslizar el tope de arrastre y untarlo con grasa de máquinas.
6. Alinear para que el taladro coincida con el eje de válvula (7) y el agarradero de la válvula de descarga (2).
7. Colocar el pasador cónico hendido (1) y poner el agarradero de la válvula de descarga en la posición PRIME/SPRAY.



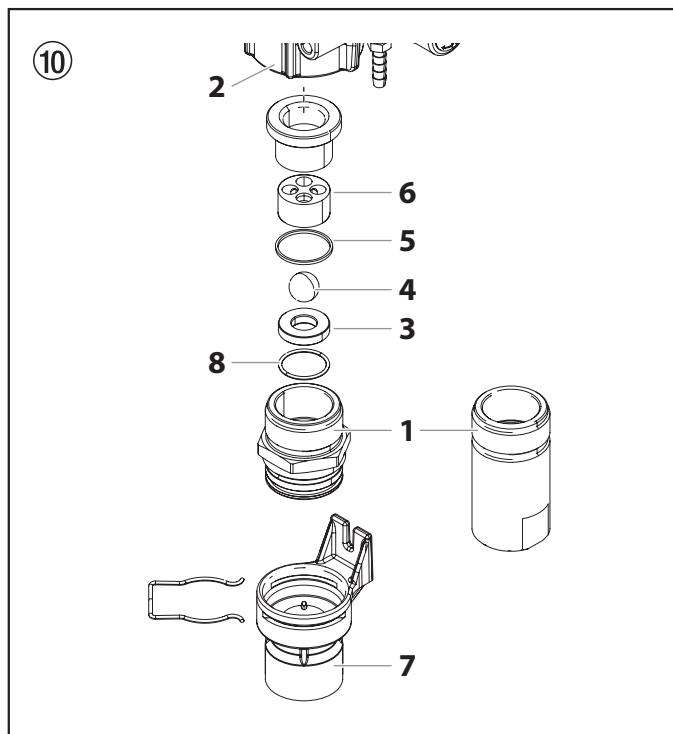
11.2 Válvula de admisión y escape

1. Retire el tornillo que fija el regulador de presión a la parte inferior del regulador de presión. Retire el regulador.
Desenroscar los tres tornillos de la tapa frontal, quitar la tapa frontal.
2. Conectar (ON) y desconectar (OFF) el equipo, de modo que la pistón articulada quede en posición de carrera inferior.



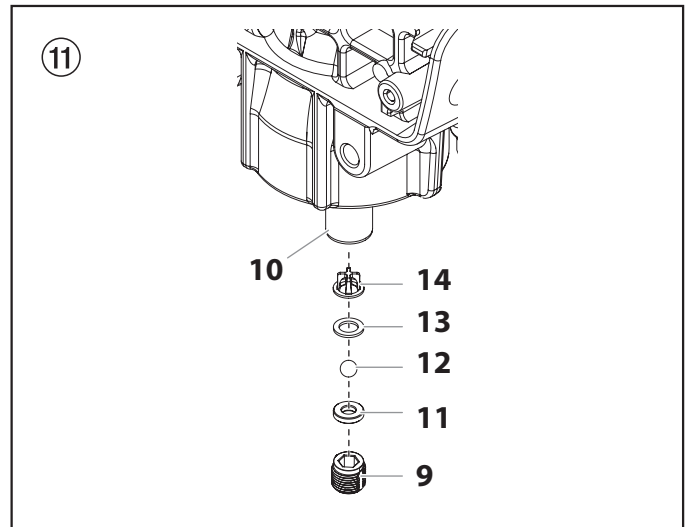
Peligro de contusión – No meter la mano o alguna herramienta entre las piezas que están en movimiento.

3. Extraer la clavija de red de la caja de enchufe.
4. Quitar la grapa de sujeción del codo de empalme en la manguera de aspiración, extraer la manguera de aspiración.
5. Desenroscar la manguera de retorno.
6. Girar el equipo en 90° hacia atrás para permitir trabajar más fácilmente en la bomba de transporte de material.
7. **Si lo hay** - Retire el sujetador del vástago impulsor y deslice la carcasa del vástago impulsor (7) desde la carcasa de la válvula de entrada (1).
8. Desenroscar la caja de válvula de admisión (Fig. 10, Pos. 1) de la caja de escala cromática (2).
9. Desmontar la guía de bola inferior (6), la junta inferior (5), la bola de válvula de admisión (4), el encaje de válvula de admisión (3) y el anillo tórico (8).
10. Limpiar todas las piezas con agente limpiador apropiado.
Comprobar el desgaste de la caja de válvula de admisión (1), el encaje de válvula de admisión (3) y la bola de válvula de admisión (4), sustituir las si es necesario.



11. Desenroscar la caja de válvula de escape (Fig. 11, Pos. 9) del pistón (10) con llave ajustable por rodillo sin fin.
12. Desmontar la guía de bola superior (14), arandela (13), la bola de válvula de escape (12) y el encaje de válvula de escape (11).
13. Limpiar todas las piezas con agente limpiador apropiado. Comprobar el desgaste de la caja de válvula de escape (9), el encaje de válvula de escape (11), la bola de válvula de escape (12) y la guía de bola superior (14), y sustituir si es necesario.

14. Realizar el montaje en orden inverso. Asegúrese de que el retén de la válvula de salida (9) se vuelva a instalar con el "borde" sin rosca hacia arriba en el pistón. Untar el anillo tórico (Fig. 10, Pos. 8) con grasa de máquinas y prestar atención al asiento correcto en la caja de válvula de admisión (Fig. 10, Pos. 1).



11.3 Empaquetaduras

Desmontaje (Fig. 12)

1. Desmontar la caja de válvula de admisión conforme a los pasos en capítulo 11.2. No es necesario desmontar la válvula de escape.
2. Quite el tornillo de la yugo (14) y la arandela (15) que sujeta la clavija (16). La clavija conecta la yugo (17) al pistón (18).
3. Con unos alicates, saque la clavija (16).
4. Gire el eje de la bomba hasta que el pistón quede en la posición central fija. Para este fin, presione p. ej. con un destornillador el yugo (17) contra la tuerca superior (19). Esto es necesario para desmontar todas las piezas.
5. Para quitar el montaje del pistón (18), empuje el pistón hasta cerca de la yugo (17).
6. Desatornille y quite la tuerca superior (19) utilizando una llave ajustable.
7. Quite los sellos gastados con un desatornillador de cabeza plana o un punzón. Quite el sello superior (20) del sello superior e inferior (21) de la parte inferior presionando el lateral del sello y sacándolo. Procure no arañar la carcasa en la que se encuentran los sellos.
8. Limpie la zona en la que se van a instalar los nuevos sellos.

Montaje (Fig. 12)

1. Deslice la empaquetadura superior (20) fuera de la herramienta de inserción y calibración gris (hacia la punta) e instale en la parte superior de la carcasa de la bomba con el borde levantado (23) hacia abajo. Guarde la herramienta de inserción y calibración de la empaquetadura superior para usarla en el paso 6.
2. Coloque la tuerca superior (19) en la parte superior de la carcasa y apriétela con una llave ajustable (Apriete de 34 a 41 lb pie). De esta forma, el sello superior (20) se colocará en la posición correcta.
3. Incline la bomba hacia atrás para que quede recostada sobre su parte posterior. Retire el envoltorio plástico de la empaquetadura inferior y la herramienta roja de formado previo.



Corte la envoltura plástica con tijeras. No la corte con una navaja multiuso, ya que puede provocar daños en las juntas tóricas.

4. Deslice la empaquetadura inferior (21) fuera de la herramienta de formado previo (hacia la punta). Inserte la empaquetadura inferior parcialmente en la parte inferior del bloque de la bomba, de manera que el borde biselado (24) de la empaquetadura esté orientado hacia arriba.
5. Enrosque la carcasa de la válvula de entrada (22) de vuelta en el fondo de la carcasa de la bomba con la mano, para colocar la empaquetadura inferior en su lugar. Una vez que se apriete lo más posible, desenrosquela y retírela nuevamente.
6. Coloque la herramienta de inserción gris sobre la parte superior del conjunto de pistón (18). Recubra la herramienta guía del pistón y la biela del pistón con grasa antes de insertarlas en la carcasa de la bomba.
7. Inserte el conjunto de pistón en el fondo del bloque de la bomba y empújelo hacia arriba hasta que el orificio en el pistón esté alineado con el orificio en el yugo (17). Deseche la herramienta de inserción.



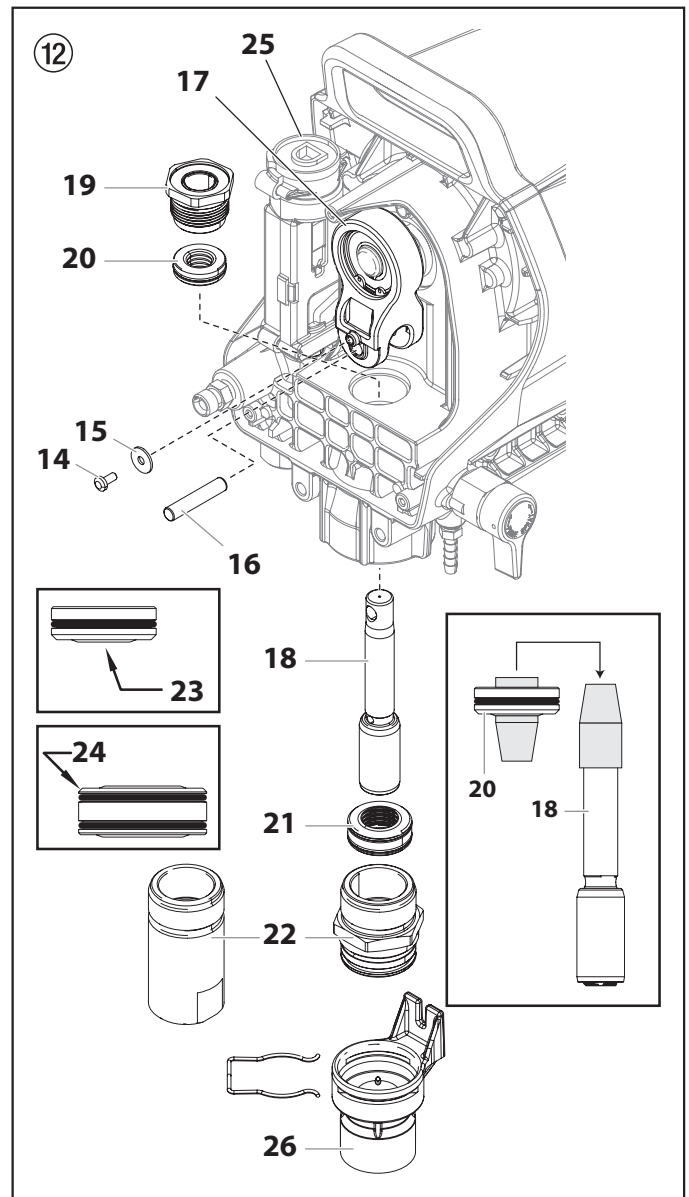
Atención

Asegúrese de que el pistón esté insertado precisamente a través del medio de la empaquetadura superior e inferior. Si viene en un ángulo, golpeará el pistón en los lados de las empaquetaduras y provocará daños.

8. Aplique cualquier tipo de grasa doméstica en el área del pistón y el yugo para prolongar la vida útil. Aplique en los orificios del yugo en donde se inserta la espiga (16).
9. Instale la clavija (16) para conectar la yugo (17) al pistón (18). Para ello, es posible que haya que desplazar el pistón hacia arriba o hacia abajo.
10. Instale el tornillo de la yugo (14) y la arandela (15) para asegurar la clavija.
11. Gire la bomba hacia arriba y aplique unas cuantas gotas de Piston Lube o aceite casero ligero entre la tuerca superior (19) y el pistón (18). Esto prolongará la vida útil del sello.
12. Vuelva a instalar el conjunto de válvula de entrada (22). Apriete con la mano hasta que no se pueda apretar más, y luego vuelva apretar 1/2 vuelta más con una llave. Esto automáticamente ajustará la empaquetadura inferior (21) en su lugar.
13. Si está equipado, vuelva a colocar el vástago impulsor (26) en el conjunto de válvula de entrada.
14. Instale la cubierta frontal y tres (3) tornillos.
15. Vuelva a instalar el regulador de presión. Fije con un tornillo.
16. Vuelva a instalar el tubo de succión y el tubo de retorno.




Si se retiró la parte inferior del regulador (25) del conjunto de interruptor de presión, se debe volver a calibrar antes de la reinstalación. Siga las instrucciones para "Restablecer la sincronización del interruptor de presión".



11.4 Reemplazo del motor



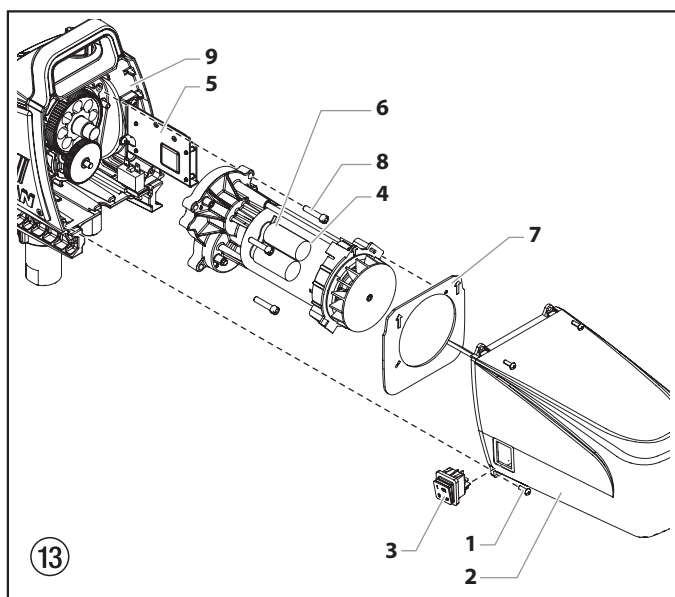
El siguiente procedimiento solo se debe realizar en un Centro de servicio autorizado de Titan.

1. Abra la válvula de alivio en la posición PRIME (CEBAR) (circulación ) . Apague la turbina. Desconecte el enchufe del tomacorriente.
2. Suelte y retire los cuatro tornillos de la cubierta del motor (1). Retire la tapa del motor (2).



El interruptor de encendido y apagado (3) está albergado dentro de la cubierta del motor. Con el fin de retirar completamente la cubierta del motor, debe desconectar todos los cables en la parte posterior del interruptor. Observe la posición de los cables antes de desconectarlos.

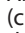
3. En la parte posterior del motor (4), desconecte los dos cables (negro y rojo) que vienen de la tarjeta de circuito (5). Retire el cable de conexión a tierra de la carcasa del motor.
4. Deslice el deflector del motor (7) y retírelo de la parte posterior del motor.
5. Suelte y retire los cuatro tornillos de montaje del motor (8).
6. Retire el motor (4) de la carcasa de la bomba (9).
7. Con el motor retirado, inspeccione los engranajes en la carcasa de la bomba (9) para saber si hay daños o desgaste excesivo. Reemplace los engranajes, si fuese necesario.
8. Instale el nuevo motor (4) en la carcasa de la bomba (9).
9. Fije el motor con los cuatro tornillos de montaje del motor (8).
10. Vuelva a conectar los cables (consulte Diagrama de conexión, sección 11.9).
11. Deslice el deflector del motor (7) y colóquelo en la parte posterior del motor. Las flechas en el deflector deben apuntar hacia arriba.
12. Deslice la tapa del motor (2) sobre el motor. Fije la tapa del motor con los cuatro tornillos de la tapa del motor (1).



11.5 Reemplazo de los engranajes



El siguiente procedimiento solo se debe realizar en un Centro de servicio autorizado de Titan.

1. Abra la válvula de alivio en la posición PRIME (CEBAR) (circulación ) . Apague la turbina. Desconecte el enchufe del tomacorriente.
2. Suelte y retire los cuatro tornillos de la cubierta del motor (1). Retire la tapa del motor (2).

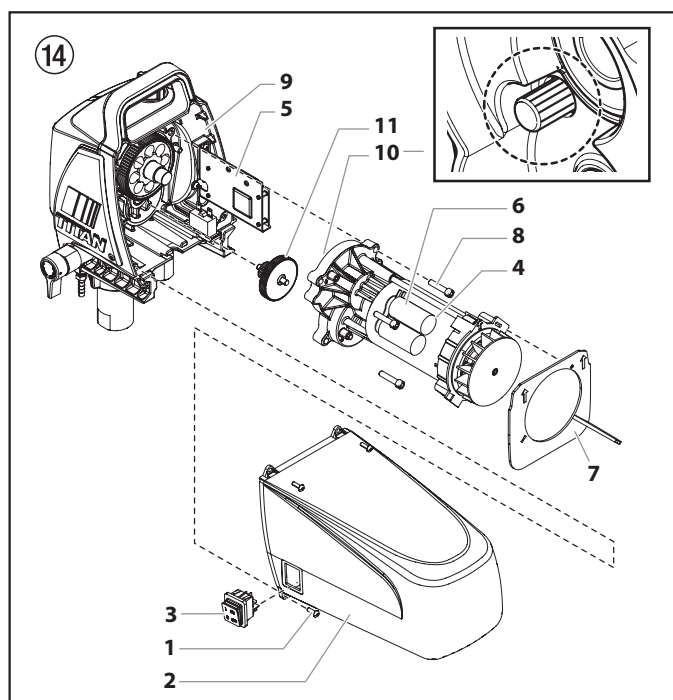


El interruptor de encendido y apagado (3) está albergado dentro de la cubierta del motor. Con el fin de retirar completamente la cubierta del motor, debe desconectar todos los cables en la parte posterior del interruptor. Observe la posición de los cables antes de desconectarlos.

3. En la parte posterior del motor (4), desconecte los dos cables (negro y rojo) que vienen de la tarjeta de circuito (5). Retire el cable de conexión a tierra de la carcasa del motor.
4. Deslice el deflector del motor (7) y retírelo de la parte posterior del motor.
5. Suelte y retire los cuatro tornillos de montaje del motor (8).
6. Retire el motor (4) de la carcasa de la bomba (9).
7. Inspeccione el engranaje de la armadura (10) en el extremo del motor para saber si tiene daños o desgaste excesivo. Si este engranaje está completamente desgastado, reemplace todo el motor.
8. Retire e inspeccione que el engranaje de la 2ª etapa (11) no tenga daños ni desgaste excesivo. Reemplácelo si fuese necesario.
9. Si el engranaje de la armadura (10) o el engranaje de 2ª etapa (11) están dañados, se debe limpiar la carcasa de la bomba (9) para retirar todos los residuos provocados por los engranajes dañados.
10. Para volver a montar la bomba, invierta los pasos anteriores.




Vuelva a llenar la caja de engranajes en la carcasa de la bomba con 148 ml de Lubriplate (N/P 314-171).



11.6 Reemplazo del interruptor de presión o transductor

i El siguiente procedimiento solo se debe realizar en un Centro de servicio autorizado de Titan.

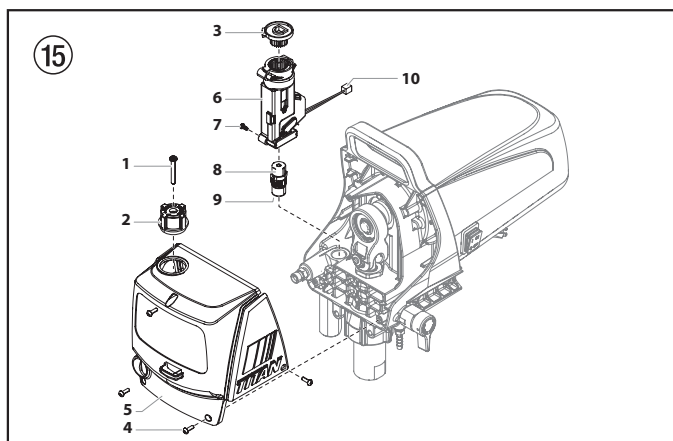
i Si el pulverizador pierde todo el ajuste de presión, o si existe una fuga de pintura en la parte delantera del pulverizador, es posible que deba reemplazar el interruptor de presión o el transductor.

1. Abra la válvula de alivio en la posición PRIME (CEBAR) (circulación ). Apague la turbina. Desconecte el enchufe del tomacorriente.
2. Retire el tornillo (1) que fija el regulador de presión (2) a la parte inferior del regulador de presión (3). Retire el regulador (2).
3. Suelte y retire los tres tornillos de la tapa delantera (4). Retire la tapa delantera (5).
4. Retire el tornillo (7) del lado del interruptor de presión. Retire la parte inferior del regulador de de presión (3) desde la parte superior del interruptor de presión.
5. Retire el conjunto de interruptor de presión (6) desde la parte superior del transductor (8).
6. Desconecte el interruptor de presión (6) del conector de cables (10).



No intente tirar de los cables desde el interior del conjunto de interruptor de presión. Si el conector de cables del interruptor de presión (10) no está expuesto a través de la abertura en la carcasa de la bomba, tire suavemente de los cables hasta que el conector aparezca a través de dicha abertura.

7. Verifique la continuidad del interruptor de presión en el conector. Si el interruptor está malo, reemplácelo con un nuevo conjunto de interruptor de presión.
8. Inspeccione si el transductor (8) tiene pintura. Si la tiene, reemplace el transductor. Si no tiene pintura, pase al paso 9 a continuación:
 - a. Con una llave en el cabezal hexagonal del transductor, suelte y retire el conjunto de transductor.
 - b. Aplique una generosa cantidad de grasa en la junta tórica del transductor (9). Vuelva a instalar el conjunto de transductor y apriete de 8 a 9 N.m.
9. Vuelva a conectar los cables (consulte Diagrama de conexión, sección 11.9).
10. Empuje el conjunto de interruptor de presión (6) de vuelta en el transductor, hasta que llegue al fondo del cabezal hexagonal del transductor.
11. Vuelva a colocar el tornillo (7) en el lado del interruptor de presión.
12. Consulte "Restablecimiento de la sincronización del interruptor de presión", sección 11.7.



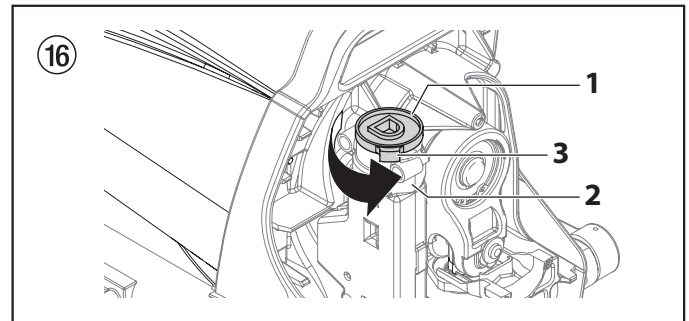
11.7 Restablecimiento de la sincronización del interruptor de presión

i El siguiente procedimiento solo se debe realizar en un Centro de servicio autorizado de Titan.

i Los componentes del interruptor de presión se deben volver a montar y ajustar adecuadamente para que la bomba funcione a la presión máxima correcta.

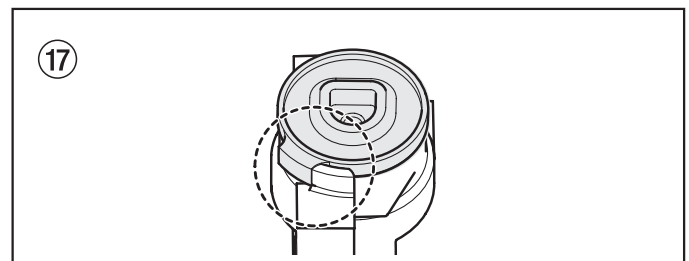
Realice este procedimiento con el manómetro N/P 0521229.

1. Asegúrese de que la parte inferior del regulador (1) esté instalado en el interruptor de presión (2).
2. Visto desde arriba, gire la parte inferior del regulador (1) en el sentido contrario a las agujas del reloj, tanto como lo permitan los dientes dentro del interruptor de presión.





i Si el tope (3) en el interruptor de presión evita que la parte inferior del regulador siga girando, retire la parte inferior del regulador, vuelva a ubicarlo en los dientes y continúe girando en el sentido contrario a las agujas del reloj, hasta que se detenga.

3. Vuelva a orientar la lengüeta del regulador contra el tope de la lengüeta del interruptor de presión.



4. Vuelva a colocar la tapa delantera y fijela con tres tornillos.
5. Vuelva a colocar el regulador de presión en la parte inferior del regulador, pero no lo fije con el tornillo. Gire el regulador completamente en el sentido de las agujas del reloj hasta el máximo.
6. Conecte el manómetro al accesorio de salida.
7. Conecte una manguera de alta presión y la pistola al manómetro.
8. Con agua como medio, siga los pasos en la sección 4.4. No es necesario conectar una boquilla de pulverización a la pistola. Deje el ajuste de la presión al máximo.
9. El pulverizador debería estar ahora presurizado al máximo. El manómetro debería dar una lectura entre 193 y 207 bar.
10. Si la lectura de presión es inferior o superior a esta lectura, se deberá ajustar el tornillo de fijación dentro del interruptor de presión. Ajústelo de acuerdo con las pautas a continuación, con una llave hexagonal larga.
 - a. Si la lectura de presión es inferior a 193 bar, gire el tornillo de fijación en el sentido contrario a las agujas del reloj hasta que el manómetro tenga una lectura entre 193 y 207 bar.


- b. Si la lectura de presión está por sobre los 207 bar, alivie la presión; para esto, gire la manilla de la válvula a PRIME (circulación ). Mientras circula el pulverizador, gire el tornillo de fijación levemente en el sentido de las agujas del reloj y luego gire la manilla de la válvula a SPRAY (pulverización )⁷). Repita esto hasta que la lectura de presión disminuya a un intervalo de 193 a 207 bar.
12. Cuando el manómetro tenga una lectura entre 193 y 207 bar, estará ajustado el regulador de presión. Fije el regulador de presión con el tornillo de este.

11.8 Reemplazo de la tarjeta de circuito



El siguiente procedimiento solo se debe realizar en un Centro de servicio autorizado de Titan.

Realice este procedimiento con el kit de tarjeta de circuito.

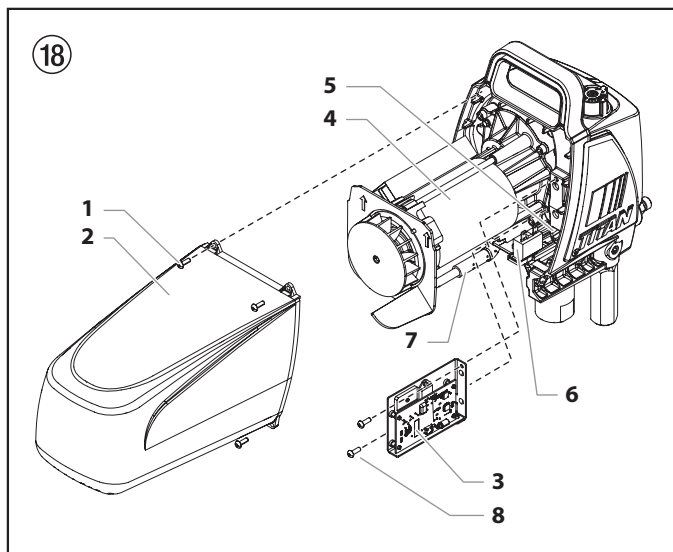
1. Abra la válvula de alivio en la posición PRIME (CEBAR) (circulación ). Apague la turbina. Desconecte el enchufe del tomacorriente.
2. Suelte y retire los cuatro tornillos de la cubierta del motor (1). Retire la tapa del motor (2).
3. Desconecte los cables rojo y negro que conectan la tarjeta de circuitos (3) al conjunto de motor (4).
4. Desconecte los cables blancos que conectan la tarjeta de circuitos al interruptor de presión.



Atención

No intente tirar de los cables desde el interior del conjunto de interruptor de presión. Si el conector de cables del interruptor de presión (10) no está expuesto a través de la abertura en la carcasa de la bomba, tire suavemente de los cables hasta que el conector aparezca a través de dicha abertura.

5. Desconecte el cable negro que conecta la tarjeta de circuitos al interruptor automático (6).
6. Desconecte el cable blanco que conecta la tarjeta de circuitos al interruptor de encendido.
7. Suelte y retire los dos tornillos de la tarjeta de circuitos (8). Retire la tarjeta de circuitos (3).
8. Instale la nueva tarjeta de circuitos (3) y fijela con los dos tornillos de la tarjeta (8).
9. Vuelva a conectar los cables que se desconectaron en los pasos 3 a 6 (consulte Diagrama de conexión, sección 11.9).
10. Deslice la tapa del motor sobre el motor. Fije la tapa del motor con los cuatro tornillos de la tapa del motor.



12. Apéndice

12.1 Selección de boquillas

La selección de la boquilla es muy importante para obtener un funcionamiento racionalizado correcto.

En muchos casos, la boquilla correcta se puede determinar únicamente mediante un ensayo de pulverización.

Algunas reglas al respecto:

El chorro de pulverizado debe ser uniforme.

Si se presentan franjas en el chorro de pulverizado, la presión de pulverización es muy escasa o la viscosidad del material de recubrimiento demasiado alta.

Remedio: Elevar la presión o diluir el material de recubrimiento. Cada bomba rinde una determinada cantidad de transporte en relación al tamaño de la boquilla:

Rige fundamentalmente: boquilla grande = presión baja
boquilla pequeña = presión alta

Hay disponible un surtido grande de boquillas para diversos ángulos de pulverización.

12.2 Mantenimiento y limpieza de las boquillas de metal duro Airless

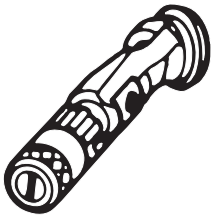
Boquillas estándar

Si se tiene montada una versión distinta de la boquilla, efectuar la limpieza de acuerdo con las indicaciones del fabricante.

La boquilla posee un orificio que se ha elaborado con la más alta precisión. A fin de alcanzar una vida útil prolongada, es necesario un tratamiento conservante. ¡Tenga presente que el suplemento de metal duro es bronco! No arrojar nunca la boquilla, ni tampoco tratarla con objetos metálicos con cantos agudos.

1. Abrir la válvula de descarga, posición de válvula PRIME (↻ circulación).
2. Desconectar el equipo.
3. Desmontar la boquilla de la pistola de pulverización.
4. Colocar la boquilla en el respectivo agente limpiador hasta que se hayan disuelto todos los restos de material de recubrimiento.
5. Si se dispone de aire comprimido, soplar la boquilla.
6. Quitar los posibles restos con un palillo de dientes u objeto de madera semejante.
7. Comprobar la boquilla con ayuda de una lupa y, si es necesario, repetir los pasos 4 a 6.

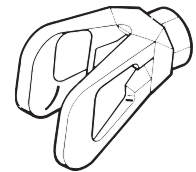
12.3 Accesorios de pistola de pulverización



Boquilla de ajuste del chorro en abanico
hasta 250 bar (25 MPa)

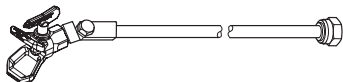
Marcación de boquilla	Orificio mm	Ancho del pulverizado a unos 30 cm de distancia con en abanico al objeto chorro de pulverización, presión 100 bar (10 MPa)	Utilización	Boquilla de ajuste del chorro en abanico N° de ped
15	0,13 - 0,46	5 - 35 cm	Lacas	341-015
20	0,18 - 0,48	5 - 50 cm	Lacas, rellenos	341-020
28	0,28 - 0,66	8 - 55 cm	Lacas, pinturas de dispersión	341-028
41	0,43 - 0,88	10 - 60 cm	Pinturas antioxidantes-Pinturas de dispersión	341-041
49	0,53 - 1,37	10 - 40 cm	Pinturas para-superficies grandes	341-049

Protección contra contactos para la boquilla de ajuste del chorro en abanico



Nº. de ped **450-100A**

Prolongación de boquilla con articulación acodada ebatible (sin boquilla)



Longitud: 90 cm N° de ped. **310-390**
Longitud: 180 cm N° de ped. **0279976**

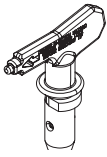
Prolongación de boquilla

15 cm, F-thread, N° de ped. **651-121**
30 cm, F-thread, N° de ped. **651-122**
45 cm, F-thread, N° de ped. **651-123**
60 cm, F-thread, N° de ped. **651-124**

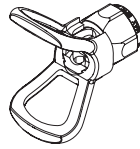


15 cm, G-thread, N° de ped. **651-070**
30 cm, G-thread, N° de ped. **651-071**
45 cm, G-thread, N° de ped. **651-072**
60 cm, G-thread, N° de ped. **651-073**

12.4 Tabla de boquillas Airless



**Titan
SC6+ boquilla**
hasta 270 bar
(27 MPa)



Sin boquilla
rosca G (7/8 - 14 UNF)
para pis tolas de pulverización
Graco/Titan
Nº de ped. 0289228



Todas las boquillas de la siguiente tabla se entregan conjuntamente con el filtro de pistola adecuado.

Aplicación	Marcación de boquilla	Ángulo de pulverización	Orificio inch / mm	Ancho mm ¹⁾	Filtro de pistola	Nº de ped.
Lacas y esmaltes diluibles en agua y con contenido de disolvente, aceites, agentes separadores	107	10°	0.007 / 0.18	100	rojo	662-107
	207	20°	0.007 / 0.18	120	rojo	662-207
	307	30°	0.007 / 0.18	150	rojo	662-307
	407	40°	0.007 / 0.18	190	rojo	662-407
	109	10°	0.009 / 0.23	100	rojo	662-109
	209	20°	0.009 / 0.23	120	rojo	662-209
	309	30°	0.009 / 0.23	150	rojo	662-309
	409	40°	0.009 / 0.23	190	rojo	662-409
	509	50°	0.009 / 0.23	225	rojo	662-509
	609	60°	0.009 / 0.23	270	rojo	662-609
Lacas de resina sintética Lacas PVC	111	10°	0.011 / 0.28	100	rojo	662-111
	211	20°	0.011 / 0.28	120	rojo	662-211
	311	30°	0.011 / 0.28	150	rojo	662-311
	411	40°	0.011 / 0.28	190	rojo	662-411
	511	50°	0.011 / 0.28	225	rojo	662-511
	611	60°	0.011 / 0.28	270	rojo	662-611
Lacas, lacas previas Lacas de fondo Rellenos	113	10°	0.013 / 0.33	100	rojo	662-113
	213	20°	0.013 / 0.33	120	rojo	662-213
	313	30°	0.013 / 0.33	150	rojo	662-313
	413	40°	0.013 / 0.33	190	rojo	662-413
	513	50°	0.013 / 0.33	225	rojo	662-513
	613	60°	0.013 / 0.33	270	rojo	662-613
Rellenos Pinturas antioxidantes	115	10°	0.015 / 0.38	100	amarillo	662-115
	215	20°	0.015 / 0.38	120	amarillo	662-215
	315	30°	0.015 / 0.38	150	amarillo	662-315
	415	40°	0.015 / 0.38	190	amarillo	662-415
	515	50°	0.015 / 0.38	225	amarillo	662-515
	615	60°	0.015 / 0.38	270	amarillo	662-615
Pinturas antioxidantes Pinturas látex Pinturas de dispersión	117	10°	0.017 / 0.43	100	amarillo	662-117
	217	20°	0.017 / 0.43	120	amarillo	662-217
	317	30°	0.017 / 0.43	150	amarillo	662-317
	417	40°	0.017 / 0.43	190	amarillo	662-417
	517	50°	0.017 / 0.43	225	amarillo	662-517
	617	60°	0.017 / 0.43	270	amarillo	662-617
Pinturas antioxidantes Pinturas látex Pinturas de dispersión	219	20°	0.019 / 0.48	120	blanco	662-219
	319	30°	0.019 / 0.48	150	blanco	662-319
	419	40°	0.019 / 0.48	190	blanco	662-419
	519	50°	0.019 / 0.48	225	blanco	662-519
	619	60°	0.019 / 0.48	270	blanco	662-619
	719	70°	0.019 / 0.48	300	blanco	662-719
Protección contra incendios	221	20°	0.021 / 0.53	120	blanco	662-221
	321	30°	0.021 / 0.53	150	blanco	662-321
	421	40°	0.021 / 0.53	190	blanco	662-421
	521	50°	0.021 / 0.53	225	blanco	662-521
	621	60°	0.021 / 0.53	270	blanco	662-621
	721	70°	0.021 / 0.53	300	blanco	662-721
	821	80°	0.021 / 0.53	330	blanco	662-821

1)Ancho del pulverizado a unos 30cm de distancia al objeto de pulverización y a una presión de 100bar (10MPa) con laca de resina sintética, 20 segundos DIN.

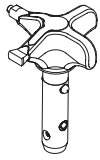


Todas las boquillas de la siguiente tabla se entregan conjuntamente con el filtro de pistola adecuado.

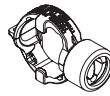
Aplicación	Marcación de boquilla	Ángulo de pulverización	Orificio inch / mm	Ancho mm ¹⁾	Filtro de pistola	Nº de ped.
Recubrimiento de tejados	223	20°	0.023 / 0.58	120	blanco	662-223
	323	30°	0.023 / 0.58	150	blanco	662-323
	423	40°	0.023 / 0.58	190	blanco	662-423
	523	50°	0.023 / 0.58	225	blanco	662-523
	623	60°	0.023 / 0.58	270	blanco	662-623
	Materiales de capa gruesa, protección anticorrosiva, masilla de pistola	225	20°	0.025 / 0.64	120	blanco
325		30°	0.025 / 0.64	150	blanco	662-325
425		40°	0.025 / 0.64	190	blanco	662-425
525		50°	0.025 / 0.64	225	blanco	662-525
625		60°	0.025 / 0.64	270	blanco	662-625
227		20°	0.027 / 0.69	120	blanco	662-227
327		30°	0.027 / 0.69	150	blanco	662-327
427		40°	0.027 / 0.69	190	blanco	662-427
527		50°	0.027 / 0.69	225	blanco	662-527
627		60°	0.027 / 0.69	270	blanco	662-627
229		20°	0.029 / 0.75	120	blanco	662-229
329		30°	0.029 / 0.75	150	blanco	662-329
429		40°	0.029 / 0.75	190	blanco	662-429
529		50°	0.029 / 0.75	225	blanco	662-529
629		60°	0.029 / 0.75	270	blanco	662-629
231		20°	0.031 / 0.79	120	blanco	662-231
331		30°	0.031 / 0.79	150	blanco	662-331
431		40°	0.031 / 0.79	190	blanco	662-431
531		50°	0.031 / 0.79	225	blanco	662-531
631		60°	0.031 / 0.79	270	blanco	662-631
731		70°	0.031 / 0.79	300	blanco	662-731
831		80°	0.031 / 0.79	330	blanco	662-831
233		20°	0.033 / 0.83	120	blanco	662-233
333		30°	0.033 / 0.83	150	blanco	662-333
433		40°	0.033 / 0.83	190	blanco	662-433
533		50°	0.033 / 0.83	225	blanco	662-533
633		60°	0.033 / 0.83	270	blanco	662-633
235		20°	0.035 / 0.90	120	blanco	662-235
335		30°	0.035 / 0.90	150	blanco	662-335
435		40°	0.035 / 0.90	190	blanco	662-435
535		50°	0.035 / 0.90	225	blanco	662-535
635		60°	0.035 / 0.90	270	blanco	662-635
735		70°	0.035 / 0.90	300	blanco	662-735
439	40°	0.039 / 0.99	190	blanco	662-439	
539	50°	0.039 / 0.99	225	blanco	662-539	
639	60°	0.039 / 0.99	270	blanco	662-639	
Aplicaciones pesadas	443	40°	0.043 / 1.10	190	verde	662-443
	543	50°	0.043 / 1.10	225	verde	662-543
	643	60°	0.043 / 1.10	270	verde	662-643
	445	40°	0.045 / 1.14	190	verde	662-445
	545	50°	0.045 / 1.14	225	verde	662-545
	645	60°	0.045 / 1.14	270	verde	662-645
	451	40°	0.051 / 1.30	190	verde	662-451
	551	50°	0.051 / 1.30	225	verde	662-551
	651	60°	0.051 / 1.30	270	verde	662-651
	455	40°	0.055 / 1.40	190	verde	662-455
	555	50°	0.055 / 1.40	225	verde	662-555
	655	60°	0.055 / 1.40	270	verde	662-655

1)Ancho del pulverizado a unos 30cm de distancia al objeto de pulverización y a una presión de 100bar (10MPa) con laca de resina sintética, 20 segundos DIN.

12.5 Tabla de boquillas de TR²



La innovadora boquilla dispone de dos pasos de boquilla en una.



Boquilla de TR² soporte
Nº de ped. 0271065

Aplicación	Marcación de boquilla (1 / 2)	Ángulo de pulverización (1 / 2)	Orificio 1 inch / mm	Orificio 2 inch / mm	Ancho 1 mm *	Ancho 2 mm *	Filtro de pistola	Nº de ped.
Armarios, muebles y cubiertas	311/107	30°/10°	0.011 / 0.28	0.007 / 0.18	150	100	rojo	692-311
	313/109	30°/10°	0.013 / 0.33	0.009 / 0.23	150	100	rojo	692-313
Puertas y molduras	415/111	40°/10°	0.015 / 0.38	0.011 / 0.28	190	100	amarillo	692-415
	417/113	40°/10°	0.017 / 0.43	0.013 / 0.33	190	100	blanco	692-417
Látex u óleo para exteriores	515/211	50°/20°	0.015 / 0.38	0.011 / 0.28	225	120	amarillo	692-515
Látex para exteriores	517/213	50°/20°	0.017 / 0.43	0.013 / 0.33	225	120	blanco	692-517
	519/213	50°/20°	0.019 / 0.48	0.013 / 0.33	225	120	blanco	692-519
	521/215	50°/20°	0.021 / 0.53	0.015 / 0.38	225	120	blanco	692-521
Masilla para bloques	535/223	50°/20°	0.035 / 0.90	0.023 / 0.58	225	120	verde	692-535
	635/327	60°/30°	0.035 / 0.90	0.027 / 0.69	270	150	verde	692-635
Compuesto para juntas diluido	627/321	60°/30°	0.027 / 0.69	0.021 / 0.53	270	150	verde	692-627
	831/321	80°/30°	0.031 / 0.79	0.021 / 0.53	330	150	verde	692-831
Látex WideSpray	1223/315	120°/30°	0.023 / 0.58	0.015 / 0.38	540	150	blanco	692-1223
	1231/317	120°/30°	0.031 / 0.79	0.017 / 0.43	540	150	blanco	692-1231
Muro cortafuegos	525/331	50°/30°	0.035 / 0.90	0.031 / 0.79	225	150	verde	692-525331

* Ancho del pulverizado a unos 30cm de distancia al objeto de pulverización y a una presión de 100bar (10MPa) con laca de resina sintética, 20 segundos DIN.

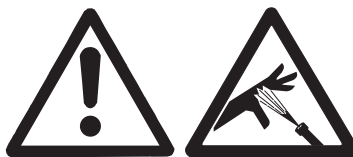
12.6 Accesorios adicionales para el modelo 460e

Nº de ped.	Denominación
580-050	Pistola pulverizadora LX-80, manguera y boquilla
580-100A	Pistola pulverizadora LX-80 II con boquilla 517
316-505	Manguera sin aire de 1/4" x 50'
314-482	Liquid Shield™ LS-10, 946 ml
314-480	Piston Lube™, botella de 8 oz.
0508071	PaintMate, 946 ml

Aviso!

Atenção: Perigo de ferimentos por injeção!

Unidades sem ar desenvolvem pressões de pulverização extremamente elevadas.

**1**

Nunca coloque os dedos, mãos ou qualquer outra parte do corpo no jacto!

Nunca aponte a pistola de pulverização em direcção a si, outras pessoas ou animais.

Nunca utilize a pistola de pulverização sem protecção de segurança. Não trate um ferimento provocado por pulverização como um corte inofensivo. Se o ferimento cutâneo foi provocado por materiais de revestimento ou solventes, consulte imediatamente um médico para um tratamento rápido e especializado. Informe o médico quanto ao material de revestimento ou solvente utilizado.

2

As instruções de funcionamento indicam que os pontos apresentados em seguida devem ser sempre observados antes do arranque:

1. As unidades avariadas ou com defeito não devem ser utilizadas.
2. Segure na pistola de pulverização Titan utilizando o fecho de segurança no gatilho.
3. Verifique a pressão de funcionamento permitida do tubo de alta pressão e pistola de pulverização..
4. Verifique se as ligações apresentam fugas.

3

As instruções relativas à limpeza e manutenção regulares devem estritamente observadas.

Antes de realizar qualquer trabalho na unidade ou em cada pausa de trabalho, as seguintes regras devem ser respeitadas:

1. Alivie a pressão da pistola de pulverização e do tubo.
2. Segure na pistola de pulverização Titan utilizando o fecho de segurança no gatilho.
3. Desligar a unidade.

Esteja atento à segurança!








Índice

	Página		Página
1. Normas de segurança para a pulverização Airless	46	9. Solução em caso de falhas	54
1.1 Explicação dos símbolos utilizados	46	10. Manutenção	55
1.2 Segurança elétrica.....	47	10.1 Manutenção geral	55
1.3 Carga electrostática (formação de faíscas ou chama).....	47	10.2 Tubo flexível de alta pressão.....	55
2. Visão geral da aplicação	48	11. Reparações na unidade	55
2.1 Aplicação.....	48	11.1 Válvula de descarga.....	55
2.2 Materiais de revestimento	48	11.2 Válvula de admissão e válvula de escape.....	56
3. Descrição da unidade	48	11.3 Empanques.....	57
3.1 Processo Airless.....	48	11.4 Substituir o motor	58
3.2 Funcionamento da unidade.....	48	11.5 Substituir as engrenagens	58
3.3 Legenda para o diagrama explanatório		11.6 Substituir o comutador de pressão / transdutor	59
Performance Series 460e.....	49	11.7 Repor a temporização do comutador de pressão.....	59
3.4 Diagrama explanatório Performance Series 460e.....	49	11.8 Substituir a placa de circuito	60
3.5 Dados técnicos	50	11.9 Diagrama de conexão Performance Series 460e.....	61
3.6 Transporte num veículo.....	50	12. Apêndice	62
4. Colocação em funcionamento	50	12.1 Selecção do bico.....	62
4.1 Tubo flexível de alta pressão, pistola de		12.2 Manutenção e limpeza dos bicos de metal duro Airless	62
pulverização e óleo de separação	50	12.3 Acessórios da pistola de pulverização	62
4.2 Ligação à rede de alimentação.....	51	12.4 Quadro dos bicos Airless	63/64
4.3 Limpeza de agentes de conservação		12.5 Quadro dos bicos TR ²	65
no arranque inicial	51	12.6 Acessórios adicionais para 460e.....	65
4.4 Colocar a unidade em funcionamento		Acessórios e peças sobresselentes	66
com material de revestimento	51	Lista das peças sobresselentes para o conjunto principal	66
5. Técnica de pulverização	52	Lista das peças sobresselentes para o sistema de sucção.....	67
6. Manusear o tubo flexível de alta pressão	52	Lista das peças sobresselentes para a unidade de comando I	68
7. Interrupção do trabalho	52	Lista das peças sobresselentes para a unidade de comando II.....	70
8. Limpar a unidade (fora de serviço)	53	Lista das peças sobresselentes da estrutura.....	72
8.1 Limpar a unidade por fora	53	Garantia	74
8.2 Filtro de sucção	53		
8.3 Limpar o filtro de alta pressão	53		
8.4 Limpar a pistola de pulverização Airless.....	54		

1. Normas de segurança para a pulverização Airless

1.1 Explicação dos símbolos utilizados

Este manual contém informação que tem de ser lida e compreendida antes de o equipamento ser utilizado. Quando chegar a uma secção que tenha um dos seguintes símbolos, preste especial atenção e certifique-se de que está atento à salvaguarda.

	Este símbolo indica um potencial perigo que pode causar ferimentos graves ou perda de vida. Siga-se importante informação de segurança.
 Atención	Este símbolo indica um potencial perigo para o utilizador ou para o equipamento. Seguem-se informações importantes que informam como evitar danos no equipamento ou causas de ferimentos ligeiros.
	Perigo de ferimentos por injeção
	Perigo de incêndio
	Risco de explosão
	Perigo de vapores perigosos
	As notas dão informações importantes às quais devem ser dadas especial atenção.



PERIGO: Ferimento causado pela injeção

Atenção: Perigo de ferimentos por injeção! Um fluxo de alta pressão produzido por este equipamento pode perfurar a pele e os tecidos subjacentes, provocando lesões graves e possível amputação.

Não trate um ferimento provocado por pulverização como um corte inofensivo. Se o ferimento cutâneo foi provocado por materiais de revestimento ou solventes, consulte imediatamente um médico para um tratamento rápido e especializado. Informe o médico quanto ao material de revestimento ou solvente utilizado.

PREVENÇÃO:

- NUNCA aponte a pistola para qualquer parte do corpo.
- NUNCA deixe qualquer parte do corpo tocar no escoamento de fluidos. NÃO deixe que haja contacto entre o corpo e uma fuga no tubo flexível de líquido.
- NUNCA ponha a mão à frente da pistola. As luvas não fornecem protecção contra um ferimento causado pela injeção.
- Engate SEMPRE o gatilho da pistola, feche a bomba do líquido e liberte toda a pressão antes de efectuar procedimentos de manutenção, limpar o protector do bico, mudar os bicos, ou deixar sem vigilância. A pressão não será libertada ao desligar o motor. A válvula PRIME/SPRAY (ESCORVAR/PULVERIZAR) ou a válvula de alívio de pressão tem de ser rodada para as posições adequadas para libertar a pressão do sistema.

- Mantenha SEMPRE o protector do bico colocado. O protector do bico fornece alguma protecção, mas é sobretudo um avisador.
- Remova SEMPRE o bico antes da lavagem ou limpeza do sistema.
- NUNCA utilize uma pistola pulverizadora sem um fecho e protector do gatilho estarem colocados.
- Todos os acessórios não devem exceder a pressão de trabalho máxima do pulverizador. Isto inclui bicos, pistolas, extensões e tubo flexível.



PERIGO: Tubo flexível de alta pressão

O tubo flexível para pintura pode desenvolver fugas através do desgaste, dobragem e abuso. Uma fuga pode injectar material na pele. Inspeccione o tubo antes de cada utilização.

PREVENÇÃO:

- A mangueira de alta pressão deverá ser integralmente verificada antes de cada utilização.
- Substituir imediatamente um tubo de alta pressão danificado.
- Nunca reparar, você próprio, um tubo de alta pressão danificado!
- Evitar dobrar muito, menor raio de dobragem de aproximadamente 20 cm.
- Não passar por cima do tubo de alta pressão e protegê-lo de objectos afiados e de cantos.
- Nunca puxar pela mangueira de alta pressão para movimentar o aparelho.
- Não rodar a mangueira de alta pressão.
- Não operar a mangueira de alta pressão com solventes. Limpar a parte exterior somente com um pano humedecido.
- Colocar a mangueira de alta pressão de forma a que não exista o perigo de tropeçar.



Por motivos de funcionamento, segurança e durabilidade, utilize apenas tubos de alta pressão originais da Titan.



PERIGO: Explosão ou incêndio

Os vapores inflamáveis provenientes de solventes e tintas podem inflamar-se ou explodir. Podem ocorrer lesões graves e/ou danos materiais.



PREVENÇÃO:

- Não use materiais com um ponto de inflamação inferior a 38° C (100° F). O ponto de inflamação é a temperatura na qual um líquido pode produzir vapores suficientes para se incendiar.
- Não utilize a unidade em locais de trabalho que estão abrangidos por normas de protecção anti-exploração.
- Proporcione um bom fornecimento de ar fresco para manter o ar dentro da área de aplicação sem acumulação de vapores inflamáveis.
- Evite todas as fontes de ignição, tais como faíscas de electricidade estática, electrodomésticos, chamas, luzes piloto, objectos quentes e faíscas ao ligar e desligar os cabos de alimentação ou a funcionar com interruptores.
- Não fume na área de pintura.
- Coloque o equipamento a uma distância suficiente do objeto a pintar numa área bem ventilada (adicione mais tubo, se for necessário). Os vapores inflamáveis são geralmente mais pesados do que o ar. A área deve estar extremamente bem ventilada. A bomba contém partes curvas que emitem faíscas e podem incendiar os vapores.

- O equipamento e os objectos na área de pintura ou em redor devem estar devidamente ligados à terra para evitar faíscas estáticas.
- Utilize apenas um tubo flexível condutor ou com ligação à terra para líquidos a alta pressão. A pistola deve ser ligada à terra através das conexões do tubo flexível.
- Deve conectar-se o cabo eléctrico a uma tomada com ligação à terra (apenas unidades eléctricas).
- Lave sempre a unidade dentro de um recipiente metálico separado, com a bomba a baixa pressão e com o bico removido. Encoste firmemente a pistola à parte lateral do recipiente para o ligar à terra e evitar faíscas estáticas.
- Siga as advertências e as instruções do fabricante do material e do solvente.
- Use a pressão mais baixa possível para lavar o equipamento.
- Quando limpar a unidade com solventes, este nunca deve ser pulverizado ou bombeado para um receptáculo com uma pequena abertura. Poderá formar-se uma mistura de ar/gás explosivo. O receptáculo deve ter ligação à terra.



PERIGO: Vapores perigosos

Intas, solventes e outros materiais podem ser nocivos se inalados ou se entrarem em contacto com o corpo. Os vapores podem causar náuseas graves, desmaio ou envenenamento.

PREVENÇÃO:

- Utilize protecção respiratória quando pulverizar. Leia todas as instruções fornecidas com a máscara para se certificar de que obtém a protecção necessária.
- Todas as normas locais no que se refere à protecção contra vapores perigosos devem ser cumpridas.
- Use óculos de protecção.
- É necessário usar vestuário de protecção, luvas e, possivelmente, creme de protecção para proteger a pele. Respeite as normas do fabricante quanto a materiais de revestimento, solventes e agentes de limpeza em unidades de preparação, processamento e limpeza.



PERIGO: Geral

Este produto pode causar lesões graves ou danos materiais.

PREVENÇÃO:

- Siga todos os códigos locais, estatais e nacionais que regulamentam a ventilação, prevenção de incêndios e funcionamento.
- Carregar no gatilho causa uma força de repulsão na mão que segura a pistola. A força de repulsão da pistola de pulverização é particularmente forte quando o bico está retirado e há alta pressão na bomba. Quando limpar sem um bico, reduza o botão regulador da pressão para o valor mínimo.
- Utilize apenas componentes autorizados pelo fabricante. O utilizador assume todo o risco e responsabilidades ao utilizar componentes que não cumpram as especificações mínimas e dispositivos de segurança do fabricante da bomba.
- Antes de cada utilização, verifique se todos os tubos flexíveis não têm cortes, fugas, desgaste ou inchaço do revestimento. Verifique se há danos ou movimento das uniões. Substitua imediatamente o tubo flexível se existir alguma destas condições. Nunca repare um tubo flexível de pintura. Substitua-o por outro tubo flexível com ligação à terra para alta pressão.
- Certifique-se de que o tubo de ar e os tubos de pulverização estão direccionados de forma a minimizar o qualquer perigo de queda, tropeçamento e escorregamento.

- Siga SEMPRE as instruções do material do fabricante para um manuseio seguro da pintura e dos solventes.
- Limpe imediatamente todo o material e derrames de solventes de forma a evitar qualquer perigo de escorregamento.
- Use protecção para os ouvidos. Esta unidade pode produzir níveis de ruído acima dos 85 dB(A).
- Nunca deixe este equipamento sem vigilância. Mantenha afastado das crianças ou de qualquer pessoa que não saiba trabalhar com equipamento a alta pressão.
- Não pinte nos dias ventosos.
- O dispositivo e todos os líquidos relacionados (ou seja, óleo hidráulico) devem ser deitados fora de maneira que respeite o ambiente.

1.2 Segurança eléctrica

Os modelos eléctricos devem ser ligados à terra. No caso de ocorrer um curto-circuito eléctrico, a ligação à terra reduz o risco de choque eléctrico, fornecendo um fio de escape para a corrente eléctrica. Este produto está equipado com um cabo que tem um fio de terra com uma ficha de ligação à terra adequada. Efectue a ligação à corrente eléctrica apenas através de um ponto de alimentação especial, p.ex. através de uma instalação de protecção anti-erro com $INF \leq 30$ mA.



PERIGO - Trabalhos ou reparações no equipamento eléctrico só podem ser realizados por um electricista devidamente qualificado para o efeito. Não se assume qualquer responsabilidade por uma instalação incorrecta. Desligar o aparelho. Antes de todas as reparações – retirar a ficha de alimentação da tomada.

Perigo de curto-circuito por penetração na água! Nunca pulverize a unidade com equipamento de alta pressão ou vapor de alta de pressão.

Trabalhos ou reparações no equipamento eléctrico:

Estes trabalhos só devem ser realizados por um electricista devidamente qualificado. Não se assume qualquer responsabilidade por uma instalação incorrecta.

1.3 Carga electrostática (formação de faíscas ou chama)



Em determinadas circunstâncias, pode verificar-se uma carga electrostática no aparelho, devido ao fluxo do material de revestimento durante a pulverização. Ao ser descarregado, poderá verificar-se a formação de faíscas ou chamas. Daí que seja necessário que o aparelho esteja sempre ligado à terra através da instalação eléctrica. A ligação deve realizar-se através de uma tomada de dois pólos com ligação terra adequada.

A carga electrostática das pistolas de pulverização e do tubo de alta pressão é libertada através do tubo de alta pressão. Por este motivo, a resistência eléctrica entre as ligações do tubo de alta pressão deve ser igual ou inferior a 197 k Ω /m (60 k Ω /ft.).

2. Visão geral da aplicação

2.1 Aplicação

O desempenho da Performance Series 460e foi concebido de forma a permitir a utilização de tintas de dispersão em interiores, tanto em pequenos como em objectos de média dimensão.

Exemplos de objectos de pulverização

Na área da pintura, os dois aparelhos são adequados para todos os trabalhos normais, tais como por exemplo: portas, molduras de portas, parapeitos, móveis, revestimentos de madeira, vedações, radiadores e peças de aço.

2.2 Materiais de revestimento

Materiais de revestimento processáveis



Preste atenção à qualidade Airless dos materiais de revestimento a serem processados.

Vernizes e tintas diluíveis ou que contêm solventes, materiais de revestimento com dois componentes, dispersões, tintas de látex, antiaderentes, óleos, subcapas, primários e enchimentos.

Nenhum outro material deve ser usado para pulverizar sem a autorização da TITAN.

Filtração

Apesar do filtro de sucção e do filtro de inserção na pistola de pulverização, geralmente recomenda-se que o material de revestimento seja filtrado.

Agitar bem o material de revestimento antes de iniciar o trabalho.



Atenção: Ao agitar com agitadores accionados por motor, certifique-se de que não se formam bolhas de ar. Visto que estas dificultam a pulverização e também podem interromper o funcionamento.

Viscosidade

Com esta unidade, é possível processar materiais de revestimento altamente viscosos até cerca de 20.000 MPa·s.

Se não for possível efectuar a sucção dos materiais de revestimento altamente viscosos, estes devem ser diluídos de acordo com as instruções do fabricante.

Material de revestimento com dois componentes

O tempo de processamento adequado deve ser cumprido. Durante este tempo, a unidade deverá ser lavada e limpa cuidadosamente com os agentes de limpeza adequados.

Materiais de revestimento com materiais adicionais de canto vivo

Estes exercem um forte efeito de deterioração nas válvulas, no tubo de alta pressão, na pistola de pulverização e no bico. O que pode reduzir significativamente a durabilidade destas peças.

3. Descrição da unidade

3.1 Processo Airless

As áreas principais de aplicação são camadas grossas de material de revestimento altamente viscoso para grandes superfícies e um elevado consumo de material.

Uma bomba de pistão suga o material de revestimento e transporta-o para o bico. Comprimido através do bico a uma pressão máxima de 20,7 MPa (207 bar), o material de revestimento é atomizado. Esta alta pressão tem o efeito de microatomização do material de revestimento.

Como nenhum ar é utilizado neste processo, é descrito como um processo AIRLESS (sem ar).

Este método de pulverização tem as vantagens de se obter a melhor atomização, um funcionamento perfeito e uma superfície lisa sem bolhas. Tal como estas, devem ser mencionadas as vantagens da velocidade de trabalho e a grande maneabilidade.

3.2 Funcionamento da unidade

A secção seguinte contém uma breve descrição da construção técnica para melhor compreensão do funcionamento.

As unidades Performance Series 460e da TITAN são unidades de pulverização de alta pressão accionadas electricamente.

Um grupo de engrenagens transfere a força motriz para um eixo de manivela. O eixo de manivela faz os pistões da bomba de alimentação subir e descer.

A válvula de admissão é aberta automaticamente pelo movimento ascensional do pistão. A válvula de escape é aberta quando o pistão se move para baixo.

O material de revestimento flui sob alta pressão através do tubo flexível de alta pressão para a pistola de pulverização. Quando o material de revestimento sai do bico, atomiza-se.

O regulador da pressão regula o volume e a pressão de funcionamento do material de revestimento.

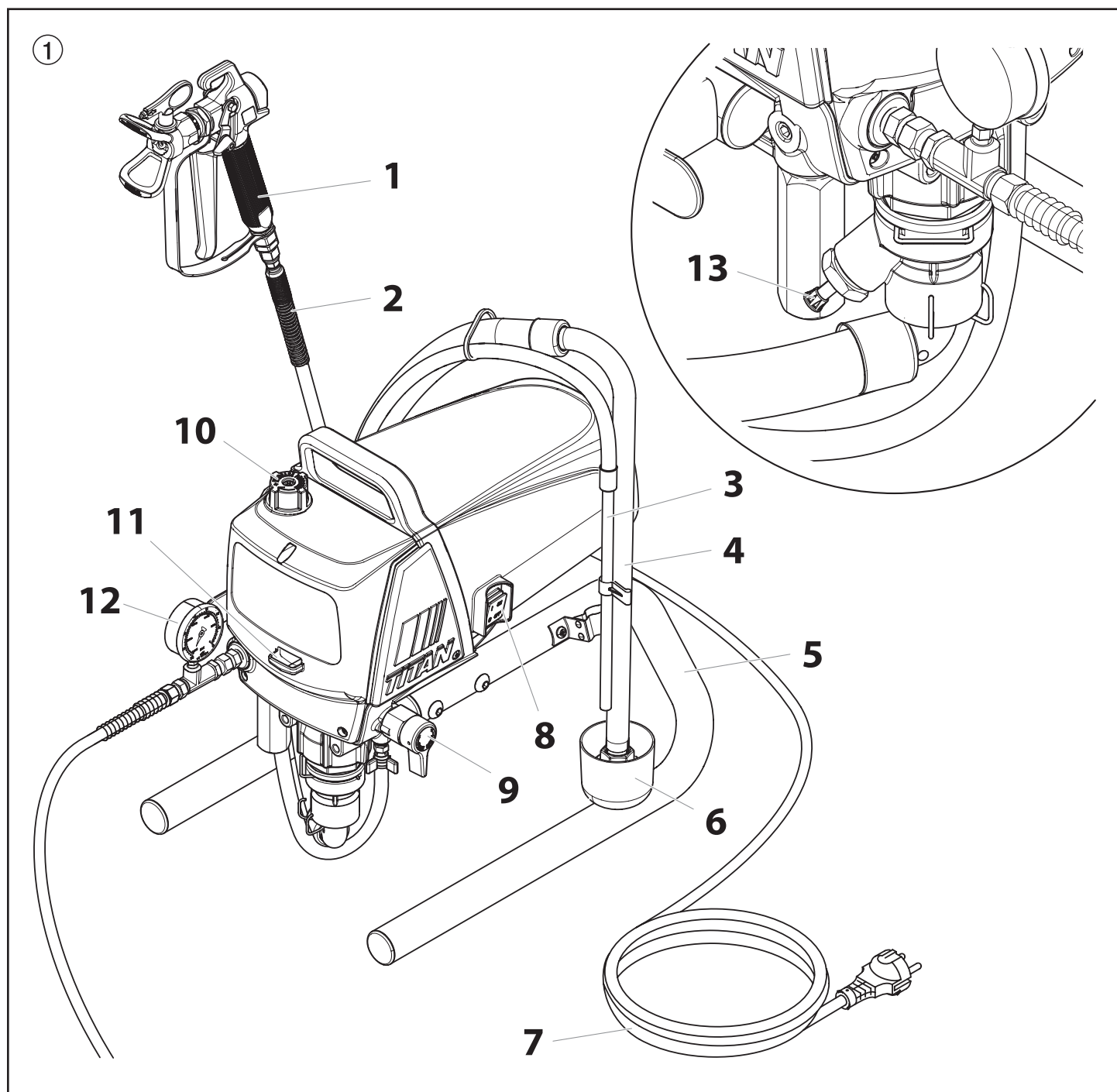


O Performance Series 460e está disponível nas diferentes configurações. Toda a informação dada neste manual se aplica a todas as configurações, salvo indicação em contrário.

3.3 Legenda para o diagrama explanatório Performance Series 460e

- | | | | |
|---|-------------------------------------|----|--|
| 1 | Pistola de pulverização | 9 | Válvula de descarga |
| 2 | Tubo flexível de alta pressão | | Manípulo na posição vertical – ESCORVAR (↻ circulação) |
| 3 | Tubo de retorno | | Manípulo na posição horizontal – PULVERIZAR (⇨ pulverização) |
| 4 | Tubo de sucção | 10 | Botão regulador da pressão |
| 5 | Estrutura | 11 | Recipiente de óleo para o Piston Lube (o Piston Lube evita o desgaste excessivo dos empanques) |
| 6 | Recipiente de gotejamento | 12 | Manómetro (se equipado) |
| 7 | Cabo de alimentação | 13 | Haste do propulsor (se equipado) |
| 8 | Interruptor ON/OFF (Ligar/Desligar) | | |

3.4 Diagrama explanatório Performance Series 460e



3.5 Dados técnicos

Voltagem	
	220~240 VAC, 50/60 Hz ou 100~120 VAC, 50/60 Hz
Consumo máx. de corrente	
220~240 VAC	5,5 A
100~120 VAC	12 A
Cabo de alimentação	
	Página 68
Capacidade de aceitação	
	1000 Watt
Pressão máx. de funcionamento	
	207 bar (20,7 MPa)
Fluxo de volume a 120 bar (12 MPa) com água	
	1,62 l/min
Tamanho máx. do bico	
	0,021 polegada - 0,53 mm
Temperatura máx. do material de revestimento	
	43°C
Viscosidade máx.	
	20.000 MPa·s
Peso	
	13,6 kg
Tubo flexível de alta pressão especial	
	6,35 mm, 15 m - 1/4" - 18 NPSM
Dimensões (C x L x A)	
	441 x 324 x 415 mm
Vibração	
	A pistola de pulverização não excede 2,5m/s ²
Nível máx. de pressão sonora	
	80 dB*

* Lugar de medição: 1 m de distância da unidade e 1,6 m acima do solo, pressão de funcionamento de 12 MPa (120 bar), solo reverberante.

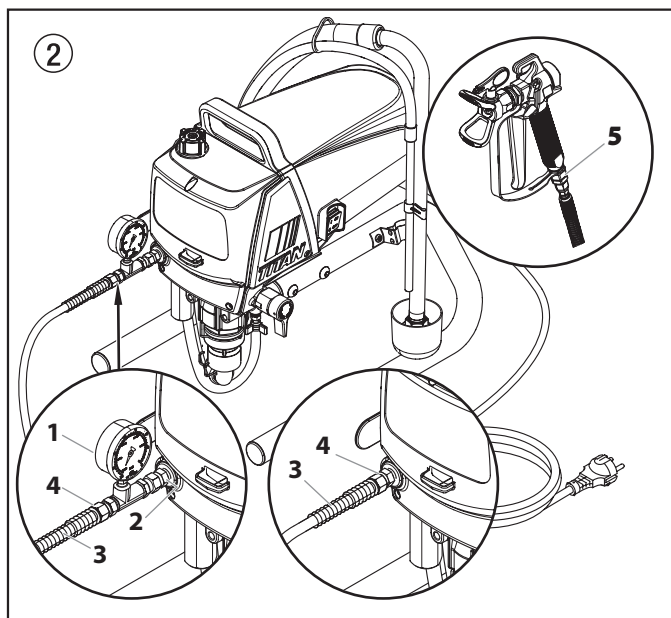
3.6 Transporte num veículo

Prenda bem a unidade com uma fixação adequada.

4. Colocação em funcionamento

4.1 Tubo flexível de alta pressão, pistola de pulverização e óleo de separação

1. Se equipado - Enrosque o manómetro (1) na saída de material de revestimento (Fig. 2, Item 2).
2. Enrosque o tubo flexível de alta pressão (3) na conexão de descarga do material do pulverizador (Fig. 2, Item 4).
3. Enrosque a pistola de pulverização (5) com o bico seleccionado no tubo flexível de alta pressão.
4. Aperte firmemente as porcas de união nos tubos flexíveis de alta pressão para o material de revestimento não verter.

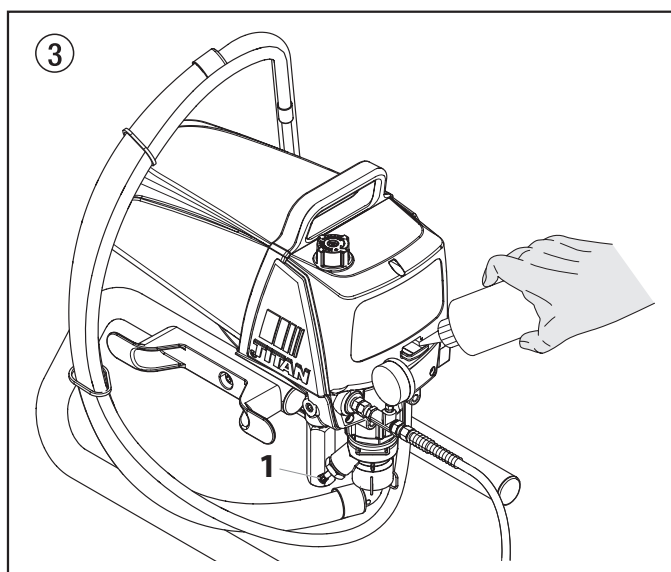


5. Introduza o Piston Lube (Fig. 3). Não introduza demasiado Piston Lube, ou seja, certifique-se de que o Piston Lube não pinga no recipiente do material de revestimento.



Atención

O Piston Lube evita o desgaste excessivo dos empanques e da haste do pistão.



6. Se equipado - Pressione completamente a haste do propulsor (Fig. 3, Item 1) para garantir que a esfera de admissão fica livre.

4.2 Ligação à rede de alimentação



A unidade deve ser conectada a uma tomada segura adequadamente ligada à terra.

Antes de ligar a unidade à fonte de alimentação, certifique-se de que a voltagem corresponde à especificada na chapa de características da unidade.

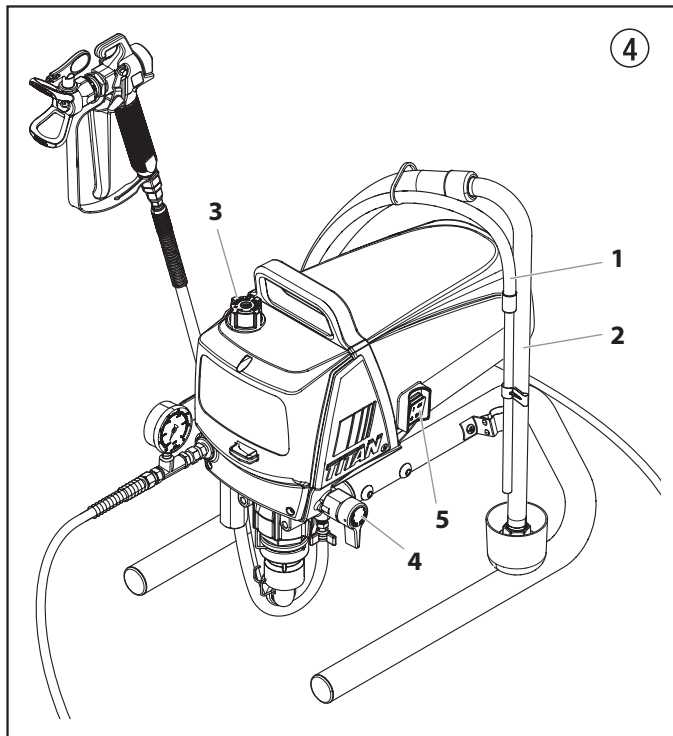
A ligação deve ser equipada com um dispositivo de protecção de corrente residual com $INF \leq 30$ mA.



O programa de acessórios da Titan também inclui um dispositivo de protecção do operador móvel para o fornecimento electrónico, que também pode ser usado com outro equipamento electrónico.

4.3 Limpeza de agentes de conservação no arranque inicial

1. Deixe o tubo flexível de sucção (Fig. 4, Item 2), e o tubo de retorno (1), dentro de um recipiente com um agente de limpeza adequado.
2. Rode o botão regulador da pressão (3) para o valor mínimo.
3. Abra a válvula de descarga (4), posição da válvula ESCORVAR (↻ circulação).
4. Ligue a unidade (5) (ON).
5. Aguarde até o agente de limpeza sair do tubo de retorno.
6. Feche a válvula de descarga, posição da válvula PULVERIZAR (↖ pulverização).
7. Pressione o gatilho da pistola de pulverização.
8. Pulverize o agente de limpeza da unidade para um recipiente de recolha aberto.



4.4 Colocar a unidade em funcionamento com material de revestimento

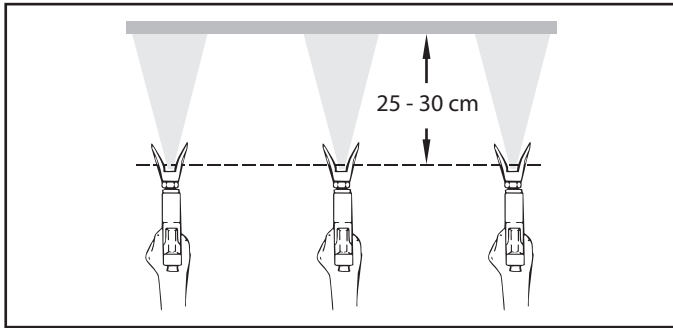
1. Deixe o tubo flexível de sucção (Fig. 4, Item 2), e o tubo de retorno (1), dentro do recipiente do material de revestimento.
2. Rode o botão regulador da pressão (3) para o valor mínimo.
3. Abra a válvula de descarga (4), posição da válvula ESCORVAR (↻ circulação).
4. Ligue a unidade (5) (ON).
5. Aguarde até que o material de revestimento saia do tubo de retorno e que não haja bolhas de ar.
6. Feche a válvula de descarga, posição da válvula PULVERIZAR (↖ pulverização).
7. Pressione várias vezes o gatilho da pistola de pulverização e pulverize num contentor de recolha até que o material de revestimento saia da pistola sem interrupção.
8. Aumente a pressão rodando lentamente o botão regulador de pressão.
Verifique o padrão de pulverização e aumente a pressão até a atomização estar correcta.
Rode sempre o botão regulador da pressão para o valor mínimo com boa atomização.
9. A unidade está pronta para pulverizar.

5. Técnica de pulverização

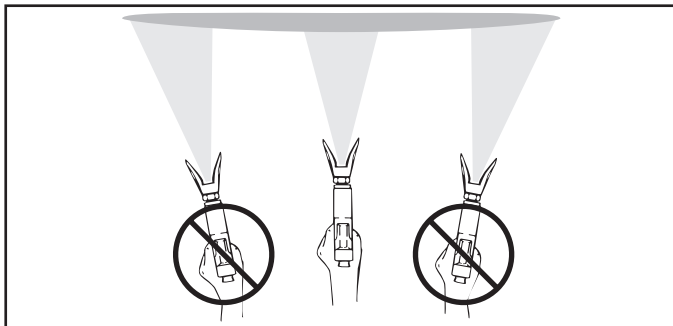


Perigo de injecção. Não comece a pintar sem que o protector do bico esteja instalado. NUNCA accione a pistola a menos que o bico esteja completamente rodado quer na posição de pulverização ou na de desobstrução. Bloqueie SEMPRE o dispositivo de segurança do gatilho antes de remover, substituir ou limpar o bico.

O fundamental num bom trabalho de pintura é obter uma camada regular sobre toda a superfície. Isto é feito com movimentos uniformes. Mantenha o movimento do braço num ritmo constante e mantenha a pistola a uma distância constante da superfície. A melhor distância de pulverização é de 25 a 30 cm entre o bico e a superfície.

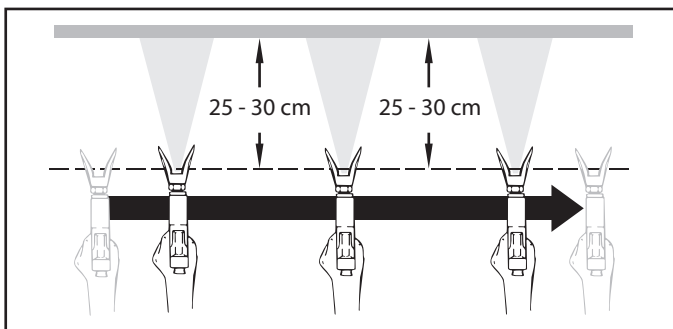


Mantenha a pistola nos ângulos correctos contra a superfície. Ou seja, mova o braço para a frente e para trás, em vez de flectir o pulso.



Mantenha a pistola perpendicular à superfície, caso contrário uma extremidade do padrão ficará mais grossa do que a outra.

Accione a pistola após iniciar a descarga. Largue o gatilho antes de finalizar a descarga. A pistola de pulverização deve mover-se quando o gatilho é premido e largado. Sobreponha cada camada cerca de 30%. Isto vai garantir um revestimento regular.



Se apresentar muitas arestas vivas ou se houver estrias no jacto de pulverização - aumente a pressão de funcionamento ou dilua o material de revestimento.

6. Manusear o tubo flexível de alta pressão

A unidade está equipada com um tubo flexível de alta pressão especialmente adequado para bombas de pistão.



Perigo de lesão através do tubo flexível de alta pressão com fugas. Substitua imediatamente qualquer tubo flexível de alta pressão danificado. Nunca repare um tubo flexível de alta pressão danificado!

Manusear cuidadosamente o tubo de alta pressão. Evitar dobrar muito, menor raio de dobragem de aproximadamente 20 cm. Não passar por cima do tubo de alta pressão e protegê-lo de objectos afiados e de cantos.

Nunca puxar pela mangueira de alta pressão para movimentar o aparelho.

Ter em atenção que a mangueira de alta pressão não se roda. Isto pode ser evitado usando uma pistola de pulverização da Titan com articulação e um enrolador.



Para o manuseamento do tubo de alta pressão aquando de trabalhos na estrutura de apoio reconheceu-se como mais vantajoso colocar a mangueira sempre do lado de fora da estrutura.



Com as mangueiras de alta pressão existe o risco de danos. A Titan recomenda a substituição da mangueira de alta pressão passados 6 anos.



Por razões de funcionamento, segurança e durabilidade, apenas utilize tubos flexíveis de alta pressão originais da Titan.

7. Interrupção do trabalho

1. Abra a válvula de descarga, posição da válvula ESCORVAR (↻ circulação).
2. Desligue a unidade (OFF).
3. Rode o botão regulador da pressão para o valor mínimo.
4. Pressione o gatilho da pistola de pulverização de forma a libertar a pressão do tubo flexível de alta pressão e da pistola de pulverização.
5. Fixe a pistola, consulte o manual de funcionamento da pistola de pulverização.
6. Se tiver de limpar um bico standardizado, veja a Página 62, Secção 12.2.
Se for colocado um bico não standardizado, execute de acordo com o manual de funcionamento correspondente.
7. Deixe o tubo de sucção e o tubo de retorno submerso no material de revestimento, ou deixe-os submersos num agente de limpeza adequado.



Atención

Se utilizar materiais de revestimento de dois componentes ou de secagem rápida, certifique-se de que a unidade é lavada com um agente de limpeza adequado dentro do tempo de processamento.

8. Limpar a unidade (fora de serviço)

A limpeza é o melhor método de garantir um funcionamento sem problemas. Depois de terminar a pulverização, limpe da unidade. Em nenhuma circunstância deve permanecer na unidade qualquer resto de material de revestimento seco e endurecido.

O agente de limpeza usado para limpar (apenas com um ponto de inflamação superior a 21 °C) deve ser adequado para o material de revestimento utilizado.

- **Fixe a pistola de pulverização**, consulte o manual de funcionamento da pistola de pulverização.

Limpar e remover o bico.

Para obter informações acerca do bico standardizado, consulte a Página 62, Secção 12.2.

Se for colocado um bico não standardizado, execute de acordo com o manual de funcionamento correspondente.

1. Remova o tubo de sucção ou o tubo flexível de sucção e o tubo de retorno do material de revestimento.
2. Feche a válvula de descarga, posição da válvula PULVERIZAR (↗ pulverização).
3. Ligue a unidade (ON).



Atención

Para materiais de revestimento que contêm solventes, o recipiente deve estar ligado à terra.



Cuidado! Não bombeie ou pulverize num recipiente com abertura pequena (batoque)! Consulte as normas de segurança.

4. Pressione o gatilho da pistola de pulverização de forma a bombear o restante material de revestimento do tubo de sucção, do tubo flexível de alta pressão e da pistola de pulverização para um recipiente aberto.
5. Mergulhe o tubo de sucção com o tubo de retorno num recipiente com um agente de limpeza.
6. Rode o botão regulador da pressão para o valor mínimo.
7. Abra a válvula de descarga, posição da válvula ESCORVAR (↻ circulação).
8. Bombeie um agente de limpeza adequado no circuito por alguns minutos.
9. Feche a válvula de descarga, posição da válvula PULVERIZAR (↗ pulverização).
10. Pressione o gatilho da pistola de pulverização.
11. Bombeie o restante agente de limpeza para um recipiente aberto até a unidade ficar vazia.
12. Desligue a unidade (OFF).

8.1 Limpar a unidade por fora



Primeiro, remova o cabo de alimentação da tomada.



Atención

Perigo de curto-circuito por penetração na água! Nunca pulverize a unidade com produtos de limpeza, ou a vapor, de alta pressão.



Atención

Não operar a mangueira de alta pressão com solventes. Limpar a parte exterior somente com um pano humedecido.

Limpe exteriormente a unidade com um pano contendo um agente de limpeza adequado.

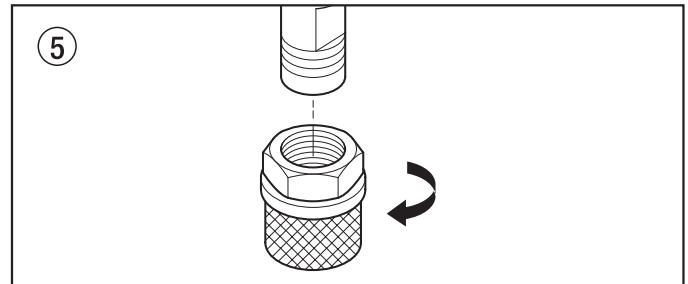
8.2 Filtro de sucção



Um filtro limpo garante sempre o máximo de quantidade transportada, pressão de pulverização constante e um correcto funcionamento da unidade.

1. Desenrosque o filtro (Fig. 5) do tubo de sucção.
2. Limpe ou substitua o filtro.

Execute a limpeza com um pincel duro e um agente de limpeza adequado



8.3 Limpar o filtro de alta pressão



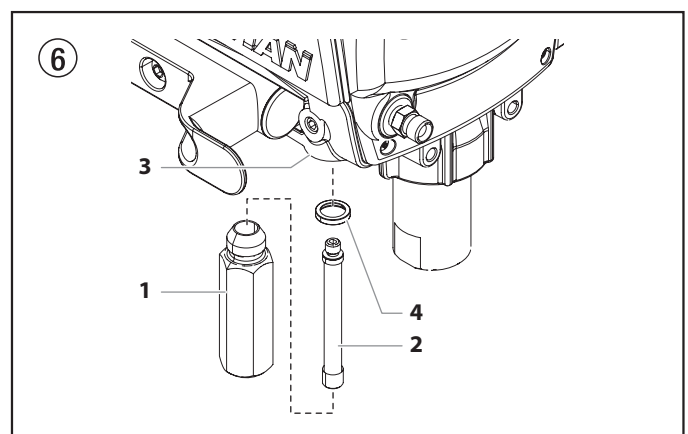
Limpe regularmente o cartucho do filtro. Um filtro de alta pressão sujo e entupido pode provocar um fraco padrão de pulverização ou entupir o bico.

1. Rode o botão regulador da pressão para o valor mínimo.
2. Abra a válvula de descarga, posição da válvula PRIME (ESCORVAR) (↻ circulação).
3. Desligue a unidade (OFF).



Desconecte a ficha de alimentação da tomada

4. Desatarraxe o corpo do filtro (Fig. 6, Item 1) com uma chave de correia.
5. Rodando para a direita, desenrosque o filtro (2) do coletor da bomba (3).
6. Limpe todas as peças com o agente de limpeza correspondente. Se necessário, substitua o cartucho do filtro.
7. Examine o anel em O (4), substitua-o se necessário.
8. Rodando para a esquerda, enrosque o filtro limpo, ou novo, no coletor da bomba.
9. Atarraxe o corpo do filtro (1) e aperte o máximo possível com a chave de correia.



8.4 Limpar a pistola de pulverização Airless

1. Lave a pistola de pulverização Airless com um agente de limpeza adequado.
2. Limpe o bico minuciosamente com um agente de limpeza adequado para que não fique nenhum resíduo de material de revestimento.
3. Limpe minuciosamente o exterior da pistola de pulverização Airless.

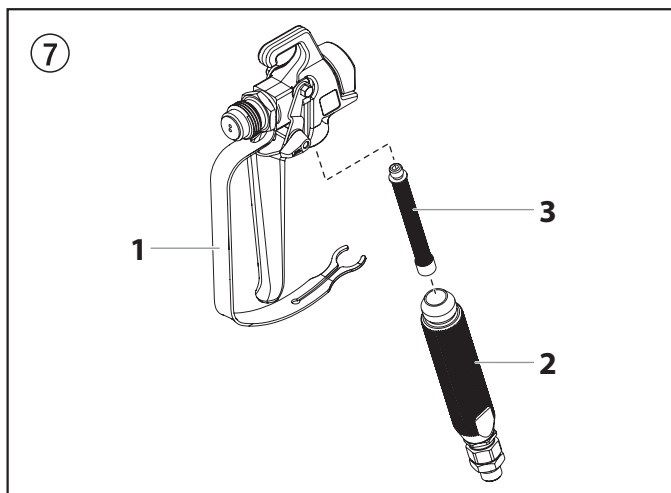
Filtro inserível na pistola de pulverização Airless (Fig 7).

Desmontar

1. Puxe a protecção (1) para a frente com força.
2. Desatarraxe a pega (2) do corpo da pistola. Remova o filtro inserível (3).
3. Quando o filtro estiver obstruído ou defeituoso, substitua-o.

Montar

1. Coloque o filtro (3) com o cone maior no corpo da pistola.
2. Atarraxe a pega (2) no corpo da pistola e aperte.
3. Encaixe a protecção (1).



9. Solução em caso de falhas

Tipo de avaria	Causa Possível	Medidas para eliminar a avaria
A. A unidade não arranca.	<ol style="list-style-type: none"> 1. Nenhuma voltagem aplicada. 2. Pressão demasiado reduzida. 3. Interruptor ON/OFF danificado. 	<ol style="list-style-type: none"> 1. Verifique a voltagem. 2. Rode o botão regulador da pressão. 3. Substitua
B. A unidade não suga.	<ol style="list-style-type: none"> 1. A válvula de descarga está posicionada para PULVERIZAR (☞ pulverização). 2. O filtro de sucção projecta-se acima do nível do fluido e suga ar. 3. Filtro obstruído. 4. O tubo de sucção está solto, ou seja, a unidade suga o ar exterior. 	<ol style="list-style-type: none"> 1. Ajuste a válvula de descarga na posição ESCORVAR (↻ circulação). 2. Encha novamente o material de revestimento. 3. Limpe ou substitua o filtro. 4. Limpe os pontos de ligação. Substitua os anéis em O, se for necessário. Fixe o tubo de sucção com o grampo de retenção.
C. A unidade suga, mas a pressão não desenvolve	<ol style="list-style-type: none"> 1. O bico está bastante gasto. 2. O bico é demasiado largo. 3. Pressão demasiado reduzida. 4. Filtro obstruído. 5. O material de revestimento flui através do tubo de retorno quando a válvula de descarga está na posição PULVERIZAR (☞ pulverização). 6. Empanques viscosos ou gastos. 7. Esferas das válvulas gastas. 8. Sedes das válvulas gastas. 	<ol style="list-style-type: none"> 1. Substitua 2. Sobre a substituição do bico. 3. Rode o botão regulador da pressão para a direita para aumentar. 4. Limpe ou substitua o filtro. 5. Remova e limpe, ou substitua, a válvula de descarga. 6. Remova e limpe, ou substitua, os empanques. 7. Remova e substitua as esferas das válvulas. 8. Remova e substitua as sedes das válvulas.
D. O material de revestimento sai no topo da secção de fluido.	<ol style="list-style-type: none"> 1. Empanque superior gasto. 2. O pistão está gasto. 	<ol style="list-style-type: none"> 1. Remova e substitua o empanque. 2. Remova e substitua o pistão.
E. Pulsação aumentada na pistola de pulverização	<ol style="list-style-type: none"> 1. Tubo flexível de alta pressão incorrecto. 2. Bico gasto ou demasiado largo. 3. Pressão demasiado alta. 	<ol style="list-style-type: none"> 1. Por razões de funcionamento, segurança e durabilidade, apenas utilize tubos flexíveis de alta pressão originais da TITAN. 2. Substitua o bico. 3. Rode o botão regulador da pressão para um valor inferior.
F. Fraco padrão de pulverização	<ol style="list-style-type: none"> 1. O bico é demasiado largo para o material de revestimento a ser pulverizado. 2. Regulação da pressão incorrecta. 3. Volume demasiado reduzido. 4. Viscosidade do material de revestimento demasiado alta. 	<ol style="list-style-type: none"> 1. Sobre a substituição do bico. 2. Rode o botão regulador da pressão até obter um padrão de pulverização satisfatório. 3. Limpe ou substitua todos os filtros. 4. Dilua de acordo com as instruções do fabricante.
G. A unidade perde potência	<ol style="list-style-type: none"> 1. Pressão demasiado reduzida. 	<ol style="list-style-type: none"> 1. Rode o botão regulador da pressão para a direita para aumentar.
H. A bomba pressuriza demasiado e não desliga.	<ol style="list-style-type: none"> 1. O comutador de pressão tem defeito. 2. O transdutor tem defeito. 	<ol style="list-style-type: none"> 1. Leve a unidade a um serviço de assistência autorizado da Titan. 2. Leve a unidade a um serviço de assistência autorizado da Titan.

10. Manutenção

10.1 Manutenção geral

A manutenção da unidade deve ser executada uma vez por ano pelo serviço de manutenção da TITAN.

1. Verifique se os tubos flexíveis de alta pressão, a linha de união e a ficha do dispositivo estão danificados.
2. Verifique se a válvula de admissão, a válvula de escape e o filtro estão gastos.

10.2 Tubo flexível de alta pressão

Examine visualmente se o tubo flexível de alta pressão tem cortes ou protuberância, em particular na transição nas conexões. As porcas de união devem poder rodar livremente.



Com as mangueiras de alta pressão existe o risco de danos. A Titan recomenda a substituição da mangueira de alta pressão passados 6 anos.

11. Reparações na unidade



Desligue a unidade (OFF).

Antes de toda a reparação: Desconecte a ficha de alimentação da tomada.

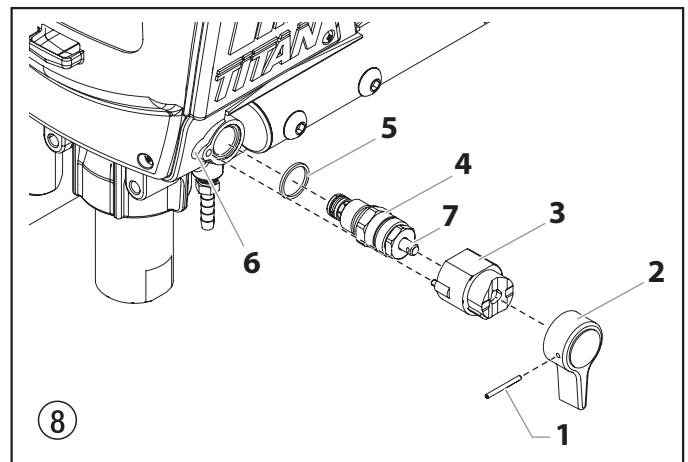
11.1 Válvula de descarga



Atención

O alojamento da válvula (4) não deve ser reparado. Se estiver gasto, deve ser sempre substituído por um novo.

1. Use um punção de montagem de 2 mm para remover o pino ranhurado (Fig. 8, Item 1) do manípulo da válvula de descarga (2).
2. Remova o manípulo da válvula de descarga (2) e a base de came (3).
3. Com uma chave inglesa, remova o corpo da válvula (4) do colector da bomba (6).
4. Certifique-se de que a vedação (5) está correctamente assentada, depois enrosque totalmente o novo corpo da válvula (4) no colector da bomba (6). Aperte firmemente com uma chave inglesa.
5. Ajuste a base de came (3) com o buraco no colector da bomba (6). Lubrifique a base de came com lubrificante e deslize nela.
6. Alinhe o buraco no eixo da válvula (7) e no manípulo da válvula de descarga (2).
7. Insira o pino ranhurado (1) para fixar o manípulo da válvula de descarga.



11.2 Válvula de admissão e válvula de escape

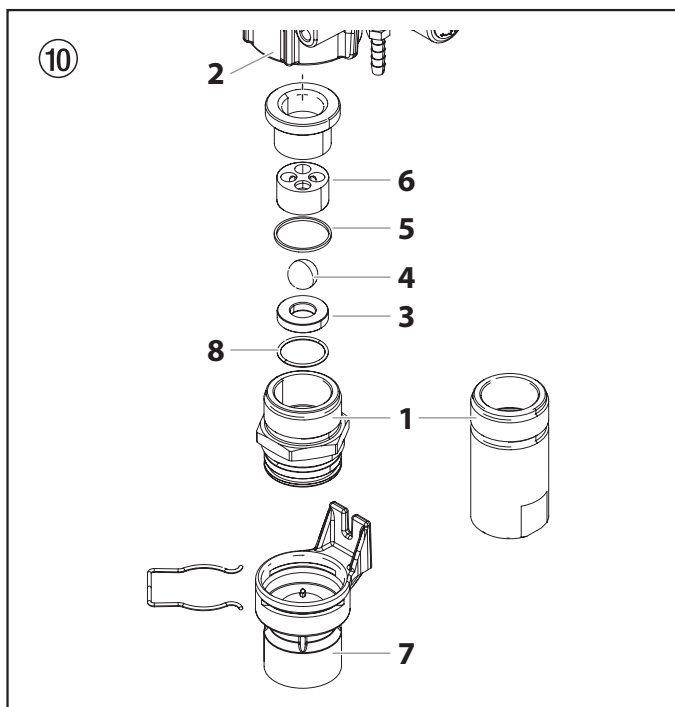
2. Remova o parafuso que prende o botão regulador da pressão à parte inferior deste botão. Remova o botão. Remova os três parafusos da tampa frontal e remova-a.
2. Ligue a unidade (ON) e depois desligue-a (OFF) para que a pistão fique posicionada no curso inferior.



Perigo de esmagamento - não aproxime os dedos ou ferramentas entre as peças em movimento.

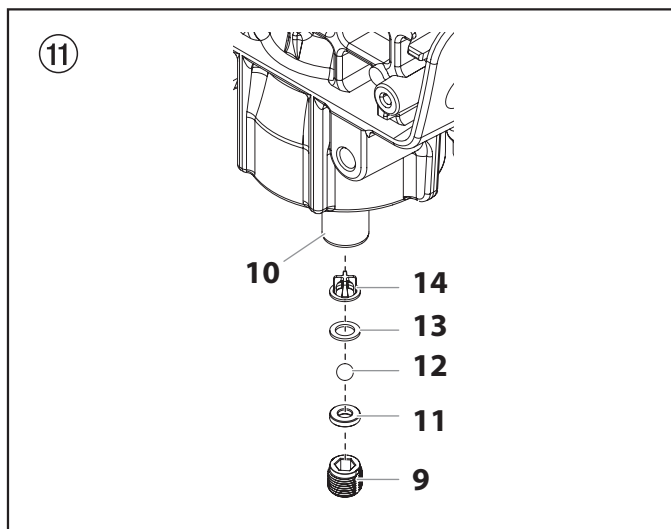
3. Desconecte a ficha de alimentação da tomada.
4. Remova o grampo de retenção do cotovelo de ligação no tubo de sucção e puxe-o.
5. Desatarraxe o tubo de retorno.
6. Gire a unidade 90° para a parte traseira de forma a funcionar mais facilmente na bomba de alimentação.
7. Se equipado - Remova o grampo da haste do propulsor e retire o alojamento da haste do propulsor (7) do alojamento da válvula de admissão (1).
8. Desatarraxe o corpo da válvula de admissão (Fig. 10, Item 1) do colector da bomba.
9. Remova a o guia de esfera inferior (6), vedação inferior (5), a esfera da válvula de admissão (4), a sede da válvula de admissão (3) e o anel em O (8).
10. Limpe todas as peças com o agente de limpeza correspondente.

Verifique se o corpo (1), a sede (3) e a esfera da válvula de admissão (4) estão gastos e substitua as peças se for necessário.



11. Desatarraxe o corpo da válvula de admissão (Fig. 11, Item 9) do pistão (10) com uma chave ajustável.
12. Remova o guia de esfera superior (14), arruela (13), a esfera da válvula de escape (12) e a sede da válvula de escape (11).
13. Limpe todas as peças com o agente de limpeza correspondente. Verifique se o corpo (9), a sede (11) e a esfera da válvula de escape (12) e o guia de esfera superior (14) estão gastos e substitua as peças se for necessário.

14. Execute a instalação na ordem inversa. Certifique-se de que o retentor da válvula de escape (9) está reinstalado com a borda não roscada virada para cima para o pistão. Lubrifique o anel em O (Fig. 9, Item 6) com lubrificante de máquinas e certifique-se de que o corpo da válvula de admissão assenta adequadamente (Fig. 9, Item 1).



11.3 Empanques

Desmontar (Fig. 12)

1. Remova o corpo da válvula de admissão de acordo com os passos no Capítulo 11.2. Não é necessário remover a válvula de escape.
2. Retire o parafuso do indutor (14) e a anilha (15) que prende a guia (16). A guia liga o indutor (17) ao pistão (18).
3. Utilizando um alicate, retire a guia (16).
4. Rode o veio da bomba, para que o pistão fique em ponto morto superior. Para o efeito e p. ex. com uma chave de parafusos, pressione o indutor (17) contra a porca superior (19). É necessário para desmontar todas as peças.
5. Retire o conjunto do pistão (18), empurrando-o para baixo para o lado do indutor (17).
6. Desaparafuse e retire a porca superior (19) utilizando uma chave ajustável.
7. Retire os vedantes gastos utilizando uma chave de fendas de pontas chatas ou um punção. Retire o vedante superior (20) da parte superior e o vedante inferior (21) da parte inferior, exercendo pressão na parte lateral do vedante, fazendo-o saltar. Certifique-se de que não arranha o alojamento onde estão localizados os vedantes.
8. Limpe o local onde vão ser instalados os novos vedantes.

Montar (Fig. 12)

1. Remova o empanque superior (20) deslizando-o para fora da ferramenta de inserção/medidora cinzenta (em direção à ponta) e instale no topo do alojamento da bomba com a borda levantada (23) virada para baixo. Guarde a ferramenta de inserção/medidora do empanque superior para utilização no passo 6.
2. Coloque a porca superior (19) no topo do alojamento e aperte-a com uma chave ajustável (aperte com uma força de 300-360 pol.-lbs.) Este procedimento colocará o vedante superior (20) na posição correcta.
3. Incline a bomba para trás de forma a ficar deitada de costas. Remova a película de plástico do empanque inferior e da ferramenta pré-formada vermelha.



Atención

Corte a película de plástico com uma tesoura. Não corte a película de plástico com uma faca multiusos, porque podem ocorrer danos nos anéis em O.

4. Remova o empanque inferior (21) deslizando-o para fora da ferramenta pré-formada (em direção ao topo). Insira parcialmente o empanque inferior na parte inferior do bloco da bomba de forma a que a borda biselada (24) do empanque fique virada para cima.
5. Volte a enroscar manualmente o alojamento da válvula de admissão (22) na parte inferior do alojamento da bomba para posicionar o empanque inferior no seu lugar. Depois de apertado até ao limite máximo, desenrosque e remova novamente.
6. Coloque a ferramenta de inserção cinzenta no topo do conjunto do pistão (18). Coloque uma camada de lubrificante na ferramenta do guia do pistão e na haste do pistão antes de inseri-las no alojamento da bomba.
7. Insira o conjunto do pistão na parte inferior do bloco da bomba e empurre para cima até o orifício do pistão ficar alinhado com o orifício da indutor (17). Exclua a ferramenta de inserção.



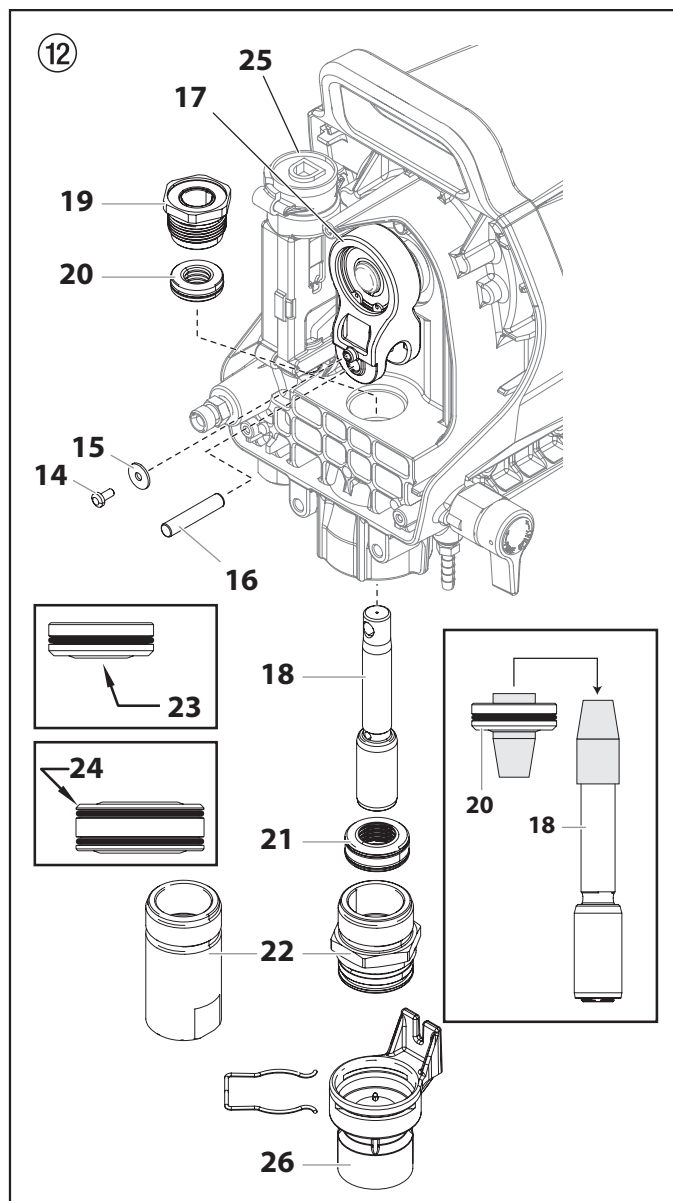
Atención

Certifique-se de que o pistão é inserido precisamente pelo meio do empanque inferior e superior. Ao entrar inclinado, fará o pistão bater nos lados dos empanques e causar danos.

8. Aplique qualquer tipo de lubrificação doméstica na área do pistão e da junção para prolongar a sua conservação. Aplique nos orifícios da indutor onde a bucha (16) é inserida.
9. Coloque a guia (16) para ligar o indutor (17) ao pistão (18). É possível que o pistão tenha de ser deslocado para cima ou para baixo para a instalação ser bem sucedida.
10. Instale o parafuso (14) do indutor e a anilha (15) para fixar a guia.
11. Vire o lado direito da bomba para cima e aplique algumas gotas de Piston Lube ou óleo suave de utilização doméstica entre a porca superior (19) e o pistão (18). Este procedimento prolongará o tempo de vida útil do vedante.
12. Reinstale o conjunto da válvula de admissão (22). Aperte manualmente até não poder apertar mais e depois aperte mais 1/2 volta com uma chave inglesa. Isto irá prender automaticamente o empanque inferior (21) no lugar.
13. Se equipado, coloque novamente o conjunto da haste do propulsor (26) no conjunto da válvula de admissão.
14. Instale a tampa dianteira e os três parafusos.
15. Reinstale o botão regulador da pressão. Prenda com o parafuso.
16. Reinstale o tubo de sucção e o tubo de retorno.



Se a parte inferior do botão (25) foi retirado do conjunto do comutador de pressão, tem de ser recalibrado antes da reinstalação. Siga as instruções de "Repór a Temporização do Comutador de Pressão".



11.4 Substituir o Motor



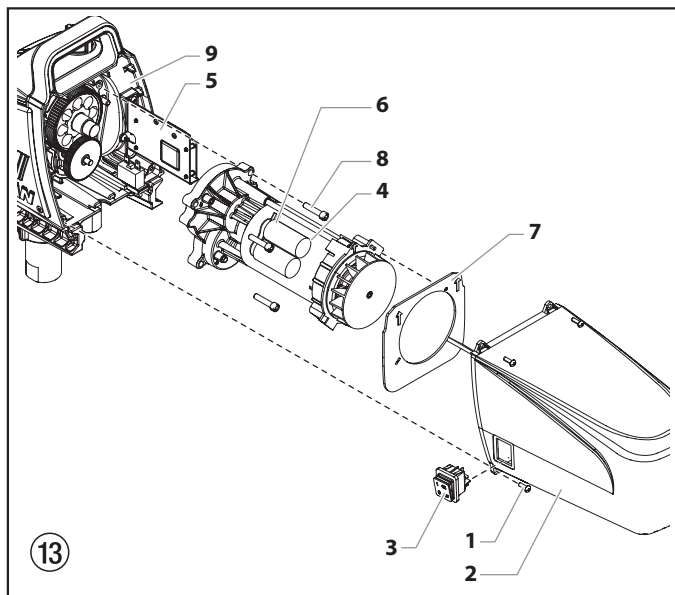
O seguinte procedimento só deve ser desempenhado por um Centro de Serviço Autorizado da Titan.

1. Abra a válvula de descarga, posição da válvula PRIME (circulação). Desligue a unidade (OFF). Desconecte a ficha de alimentação da tomada.
2. Solte e remova os quatro parafusos da tampa do motor (1). Remova a tampa do motor (2).



O interruptor ligar/desligar (ON/OFF) (3) está alojado no interior da tampa do motor. De forma a remover totalmente a tampa do motor, deve desconectar todos os fios da parte de trás do interruptor. Tome nota da posição dos fios antes de desconectar.

3. Na parte de trás do motor (4), desconecte os dois fios (preto e vermelho) que vêm da placa de circuito (5). Remova o fio terra do alojamento do motor.
4. Deslizando, remova o defletor do motor (7) da parte de trás do motor.
5. Solte e remova os quatro parafusos de montagem do motor (8).
6. Puxe o motor (4) para fora do alojamento da bomba (9).
7. Com o motor removido, inspecione se as engrenagens no alojamento da bomba (9) têm algum dano ou desgaste excessivo. Substitua as engrenagens, se for necessário.
8. Instale o novo motor (4) no alojamento da bomba (9).
9. Fixe o motor com os quatro parafusos de montagem (8).
10. Volte a conectar os fios (Consulte o Diagrama de Conexão, secção 11.9).
11. Coloque o defletor do motor (7) deslizando-o na parte de trás do motor. As setas no defletor devem apontar para cima.
12. Deslize a tampa (2) sobre o motor. Fixe a tampa com os quatro parafusos da tampa do motor (1).



11.5 Substituir as Engrenagens

1. Abra a válvula de descarga, posição da válvula PRIME (circulação). Desligue a unidade (OFF). Desconecte a ficha de alimentação da tomada.
2. Solte e remova os quatro parafusos da tampa do motor (1). Remova a tampa do motor (2).

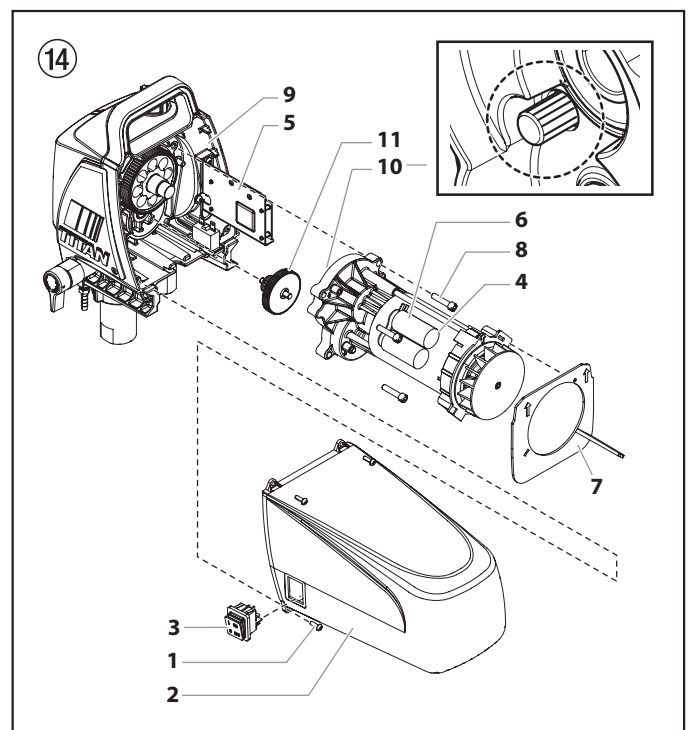


O interruptor ligar/desligar (ON/OFF) (3) está alojado no interior da tampa do motor. De forma a remover totalmente a tampa do motor, deve desconectar todos os fios da parte de trás do interruptor. Tome nota da posição dos fios antes de desconectar.

3. Na parte de trás do motor (4), desconecte os dois fios (preto e vermelho) que vêm da placa de circuito (5). Remova o fio terra do alojamento do motor.
4. Deslizando, remova o defletor do motor (7) da parte de trás do motor.
5. Solte e remova os quatro parafusos de montagem do motor (8).
6. Puxe o motor (4) para fora do alojamento da bomba (9).
7. Inspeccione se a engrenagem do induzido (10) na extremidade do motor tem algum dano ou desgaste excessivo. Se a engrenagem estiver totalmente gasta, substitua o motor todo.
8. Remova e inspecione se a engrenagem de 2º andar (11) tem danos ou desgaste excessivo. Substitua, se for necessário.
9. Se a engrenagem do induzido (10) ou a engrenagem de 2º andar (11) estiver danificada, o alojamento da bomba (9) deve ser limpa para remover todos os detritos causados pelas engrenagens danificadas.
10. Volte a montar a bomba invertendo os passos acima descritos.



Volte a encher a caixa de engrenagem no alojamento da bomba com cinco onças (148 ml) de Lubriplate (P/N 314-171).



11.6 Substituir o Comutador de Pressão / Transdutor



O seguinte procedimento só deve ser desempenhado por um Centro de Serviço Autorizado da Titan.

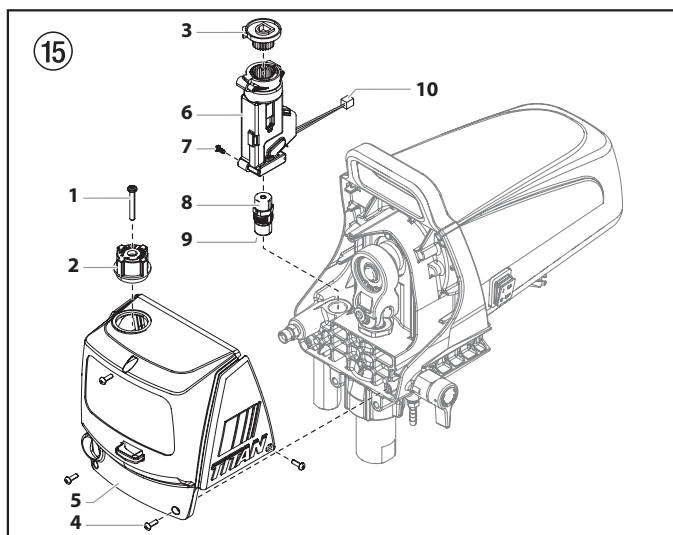


Se o pulverizador perder todo o ajuste da pressão ou se houver uma fuga de tinta na parte da frente do pulverizador, o comutador de pressão e/ou o transdutor poderá necessitar de ser substituído.

1. Abra a válvula de descarga, posição da válvula PRIME (circulação). Desligue a unidade (OFF). Desconecte a ficha de alimentação da tomada.
2. Remova o parafuso (1) que prende o botão regulador da pressão (2) à parte inferior (3) deste botão. Remova o botão (2).
3. Solte e remova os três parafusos da cobertura frontal (4). Remova a cobertura frontal (5).
4. Remova o parafuso (7) da lateral do comutador de pressão. Remova a parte inferior do botão regulador da pressão (3) do topo do comutador de pressão.
5. Remova o conjunto do comutador de pressão (6) do topo do transdutor (8).
6. Desconecte o comutador de pressão (6) do conector dos fios (10).

IMPORTANTE: Não tente puxar os fios do interior do conjunto do comutador de pressão. Se o conector de fios (10) do comutador de pressão não estiver exposto na abertura do alojamento da bomba, puxe levemente os fios até o conector ficar à mostra na abertura.

7. Verifique a continuidade do comutador de pressão no conector. Se o comutador estiver mau, substitua-o por um novo conjunto do comutador de pressão.
8. Inspeccione se o transdutor (8) tem presença de tinta. Se tiver tinta, substitua o transdutor. Se não tiver tinta, siga para o passo 9, em baixo.
 - a. Com uma chave inglesa na cabeça hexagonal do transdutor, solte e remova o conjunto do transdutor.
 - b. Aplique uma quantidade generosa de lubrificante no anel em O do transdutor (9). Reinstale o conjunto do transdutor e aperte com uma força de 70-75 pol./lbs.
9. Volte a conectar os fios (Consulte o Diagrama de Conexão, secção 11.9).
10. Volte a empurrar o conjunto do comutador de pressão (6) no transdutor até atingir o fundo da cabeça hexagonal do transdutor.
11. Volte a colocar o parafuso (7) na lateral do comutador de pressão.
12. Consulte "Repór a Temporização do Comutador de Pressão", secção 11.7.



11.7 Repór a Temporização do Comutador de Pressão



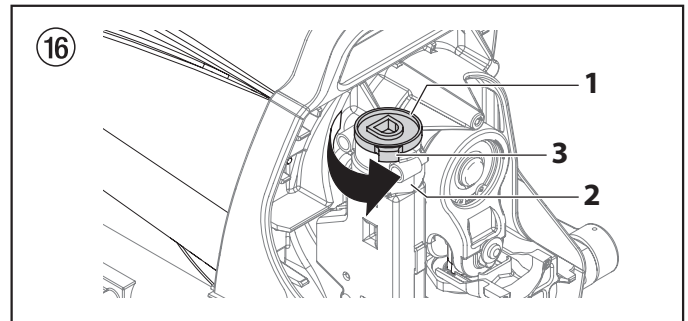
O seguinte procedimento só deve ser desempenhado por um Centro de Serviço Autorizado da Titan.



Os componentes do comutador de pressão devem ser novamente montados de forma adequada e ajustada para que a bomba funcione na pressão máxima correta.

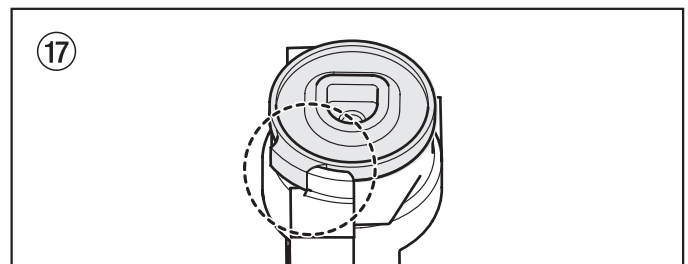
Execute este procedimento usando o manómetro P/N 0521229.

1. Certifique-se de que a parte inferior do botão (1) está instalado no comutador de pressão (2).
2. Vendo de cima, vire a parte inferior do botão (1) para a esquerda até os dentes no interior do comutador de pressão permitirem.



Se o retentor (3) no comutador de pressão impedir que a parte inferior do botão continue a rodar, remova a parte inferior do botão, volte a posicioná-la nos dentes e continue a rodá-la para a esquerda até parar.

3. Realinhe a guia do botão com a guia do retentor do comutador de pressão.



5. Volte a colocar o botão regulador da pressão na parte inferior do botão, mas não prenda com o parafuso. Rode o botão totalmente para a direita até ao limite máximo.
6. Conecte o manómetro à conexão de saída.
7. Conecte um tubo flexível de alta pressão e pistola ao manómetro.
8. Usando a água como um meio, siga os passos na secção 4.4. Não é necessário anexar um bico de pulverização à pistola. Deixe o ajuste da pressão no máximo.
9. O pulverizador deve agora ser pressurizado na pressão máxima. O manómetro deve dar uma leitura entre 193-207 bar.
10. Se a leitura da pressão estiver abaixo ou acima desta leitura, o parafuso do ajuste no interior do comutador de pressão terá de ser ajustado. Ajuste-o segundo as diretrizes abaixo indicadas com uma chave sextavada longa.
 - a. Se a leitura da pressão estiver abaixo de 193 bar, rode o parafuso do ajuste para a esquerda até o manómetro dar uma leitura entre 193-207 bar.
 - b. Se a leitura da pressão estiver acima de 207 bar, alive a pressão rodando o manípulo da válvula para PRIME (circulação).

Enquanto o pulverizador estiver a circular, rode levemente o parafuso de ajuste para a direita e depois rode o manípulo da válvula para SPRAY (pulverizar). Repita isto até a leitura da pressão diminuir até a uma gama de 193-207 bar.

- Quando o manómetro der uma leitura entre 193-207 bar, o botão regulador da pressão está ajustado. Fixe o botão regulador da pressão com o parafuso deste botão.

11.8 Substituir a Placa de Circuito



O seguinte procedimento só deve ser desempenhado por um Centro de Serviço Autorizado da Titan.

Execute este procedimento usando o Kit de Placa de Circuito.

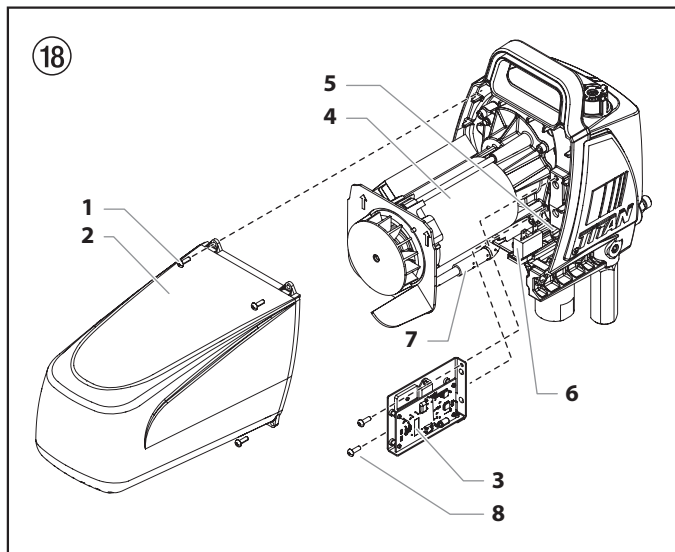
- Abra a válvula de descarga, posição da válvula PRIME (circulação). Desligue a unidade (OFF). Desconecte a ficha de alimentação da tomada.
- Solte e remova os quatro parafusos da tampa do motor (1). Remova a tampa do motor (2).
- Desconecte os fios vermelho e preto que conectam a placa de circuito (3) ao conjunto do motor (4).
- Desconecte os fios brancos que conectam a placa de circuito ao comutador de pressão.



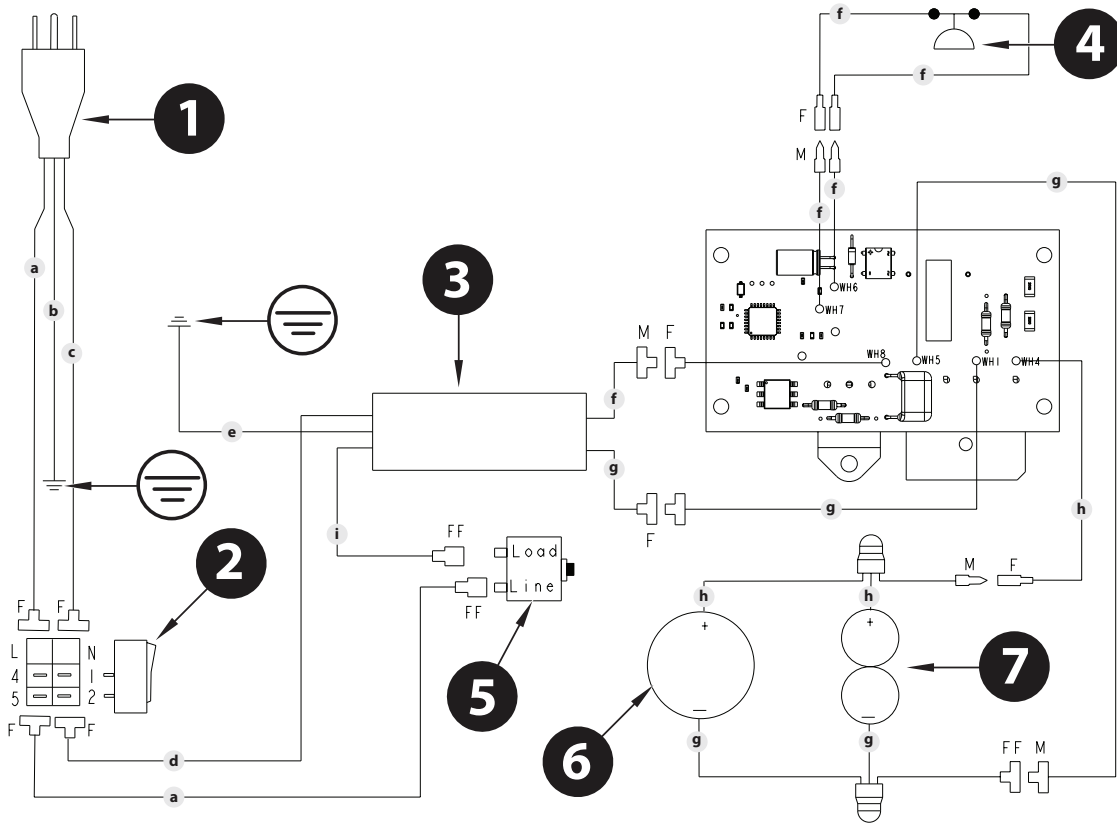
Atención

Não tente puxar os fios do interior do conjunto do comutador de pressão. Se o conector de fios do comutador de pressão não estiver exposto na abertura do alojamento da bomba, puxe levemente os fios até o conector ficar à mostra na abertura.

- Desconecte o fio preto que conecta a placa de circuito ao disjuntor (6).
- Desconecte o fio branco que conecta a placa de circuito ao botão de alimentação.
- Solte e remova os dois parafusos da placa de circuito (8). Remova a placa de circuito (3).
- Instale a nova placa de circuito (3) e prenda com os dois parafusos da placa de circuito (8).
- Volte a conectar os fios que foram desconectados nos passos 3-6 (Consulte o Diagrama de Conexão, secção 11.9).
- Deslize a cobertura sobre o motor. Fixe a cobertura com os quatro parafusos da cobertura do motor.

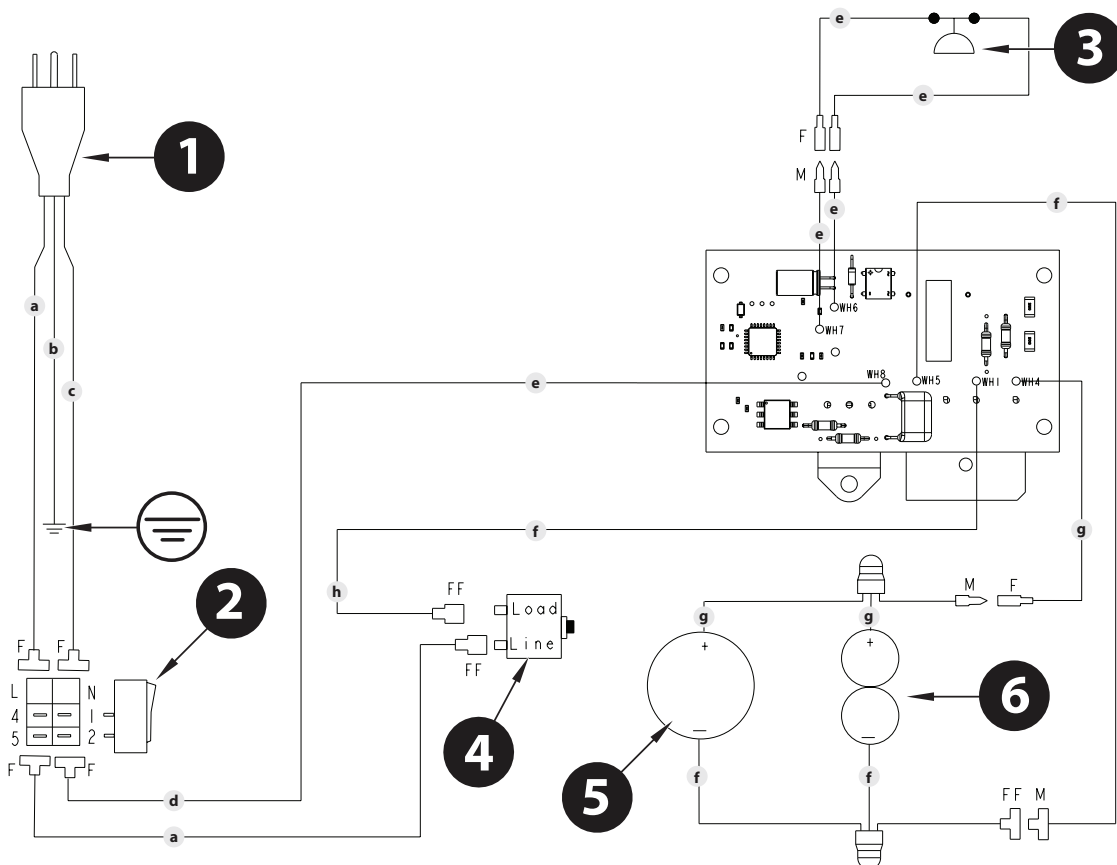


11.9 Diagrama de conexão Performance Series 460e



Com filtro de EMI (3)	
Item	Descrição
1	Ficha
2	Interruptor
3	Filtro de interferência electromagnética (EMI)
4	Comutador de pressão
5	Disjuntor
6	Motor
7	Condensador

Item	Descrição
a	Preto / Castanho
b	Verde
c	Branco / Azul
d	Azul
e	Verde / Amarelo
f	Branco
g	Castanho
h	Vermelho
i	Castanho



Sem filtro de EMI	
Item	Descrição
1	Ficha
2	Interruptor
3	Comutador de pressão
4	Disjuntor
5	Motor
6	Condensador

Item	Descrição
a	Preto / Castanho
b	Verde
c	Branco / Azul
d	Azul
e	Branco
f	Preto
g	Vermelho
h	Castanho

12. Apêndice

12.1 Selecção do bico

A selecção dos bicos é muito importante para obter um funcionamento racional e correcto. Em muitos casos, o bico correcto só pode ser determinado através de um teste de pulverização.

Algumas regras a respeito:

O jacto de pulverização deve ser regular.

Se surgirem franjas no jacto, a pressão de pulverização é demasiado baixa ou a viscosidade do material de revestimento é elevada.

Solução: Aumente a pressão ou dilua o material de revestimento. Cada bombada transporta uma certa quantidade em relação ao tamanho do bico:

Regra geral: bico grande = baixa pressão
 bico pequeno = alta pressão

Existe uma grande variedade de bicos com diversos ângulos de pulverização.

12.2 Manutenção e limpeza dos bicos de metal duro Airless

Bicos standard

Se tem instalado um tipo de bico diferente, limpe-o de acordo com as instruções do fabricante.

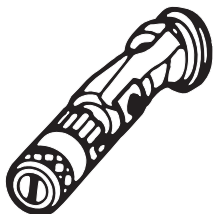
O bico tem um orifício que foi elaborado com a mais alta precisão. Para obter uma longa durabilidade, é necessário cuidar os bicos com muito cuidado.

Não esquecer que o metal duro inserido é frágil! Não atire o bico, nem o use com objectos de metal afiados.

Os seguintes pontos devem ser tidos em conta de forma a manter o bico limpo e pronto a ser usado:

1. Abrir a válvula de descarga, posição da válvula ESCORVAR (↻ circulação).
2. Desligar a unidade.
3. Desmontar o bico da pistola de pulverização.
4. Colocar o bico num agente de limpeza adequado até que sejam dissolvidos todos os resíduos do material de revestimento.
5. Se houver ar comprimido, soprar o bico.
6. Remover possíveis resíduos com um palito ou com outro objecto semelhante.
7. Examinar o bico com a ajuda de uma lupa e, se necessário, repetir os pontos 4 a 6.

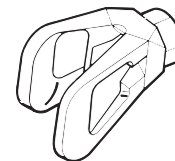
12.3 Acessórios da pistola de pulverização



Bico regulável do jacto plano
 ATÉ 25 MPA (250 BAR)

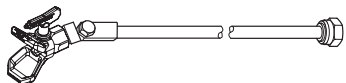
Marcação do bico	Orifício mm	Largura da pulverização cerca de 30 cm de distância do objecto pulverizado Pressão 100 bar (10 MPa)	Utilização	Bico regulável do jacto plano Nº de pedido
15	0,13 - 0,46	5 - 35 cm	Tintas	341-015
20	0,18 - 0,48	5 - 50 cm	Tintas, Dispositivos de enchimento	341-020
28	0,28 - 0,66	8 - 55 cm	Tintas, Tintas de dispersão	341-028
41	0,43 - 0,88	10 - 60 cm	Tintas antioxidantes - dispersão	341-041
49	0,53 - 1,37	10 - 40 cm	Revestimentos de grandes superfícies	341-049

Protecção contra contactos
 para o bico regulável do jacto



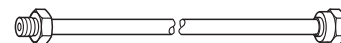
Nº de pedido **450-100A**

Extensão do bico com articulação giratória (sem bico)



Comprimento: 90 cm Nº de ped. **310-390**
 Comprimento: 180 cm Nº de ped. **0279976**

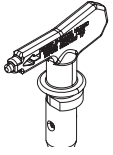
Extensão do bico



15 cm, Rosca F, Nº de ped. **651-121**
 30 cm, Rosca F, Nº de ped. **651-122**
 45 cm, Rosca F, Nº de ped. **651-123**
 60 cm, Rosca F, Nº de ped. **651-124**

15 cm, Rosca G, Nº de ped. **651-070**
 30 cm, Rosca G, Nº de ped. **651-071**
 45 cm, Rosca G, Nº de ped. **651-072**
 60 cm, Rosca G, Nº de ped. **651-073**

12.4 Quadro dos bicos Airless



**Titan
SC6+ agulheta**
até 270 bar
(27 MPa)



sem agulheta
Rosca G (7/8 - 14 UNF)
para pistolas de pulverização Graco/Titan
Nº de encomenda 0289228



Todas as agulhetas na tabela em baixo são fornecidas com o correspondente filtro de pistola.

Aplicação	Marcação da agulheta	Ângulo de pulverização	Orifício inch / mm	Largura de pulverização ¹⁾	Filtro da pistola	Nº de encomenda
Tintas e esmaltes, óleos, anti-glomerantes à base de solvente e solúveis em água	107	10°	0.007 / 0.18	100	vermelho	662-107
	207	20°	0.007 / 0.18	120	vermelho	662-207
	307	30°	0.007 / 0.18	150	vermelho	662-307
	407	40°	0.007 / 0.18	190	vermelho	662-407
	109	10°	0.009 / 0.23	100	vermelho	662-109
	209	20°	0.009 / 0.23	120	vermelho	662-209
	309	30°	0.009 / 0.23	150	vermelho	662-309
	409	40°	0.009 / 0.23	190	vermelho	662-409
	509	50°	0.009 / 0.23	225	vermelho	662-509
	609	60°	0.009 / 0.23	270	vermelho	662-609
Tintas de resina sintética Tintas de PVC	111	10°	0.011 / 0.28	100	vermelho	662-111
	211	20°	0.011 / 0.28	120	vermelho	662-211
	311	30°	0.011 / 0.28	150	vermelho	662-311
	411	40°	0.011 / 0.28	190	vermelho	662-411
	511	50°	0.011 / 0.28	225	vermelho	662-511
	611	60°	0.011 / 0.28	270	vermelho	662-611
Tintas, primários Primários Cargas	113	10°	0.013 / 0.33	100	vermelho	662-113
	213	20°	0.013 / 0.33	120	vermelho	662-213
	313	30°	0.013 / 0.33	150	vermelho	662-313
	413	40°	0.013 / 0.33	190	vermelho	662-413
	513	50°	0.013 / 0.33	225	vermelho	662-513
	613	60°	0.013 / 0.33	270	vermelho	662-613
Cargas Tintas anticorrosivas	115	10°	0.015 / 0.38	100	amarelo	662-115
	215	20°	0.015 / 0.38	120	amarelo	662-215
	315	30°	0.015 / 0.38	150	amarelo	662-315
	415	40°	0.015 / 0.38	190	amarelo	662-415
	515	50°	0.015 / 0.38	225	amarelo	662-515
	615	60°	0.015 / 0.38	270	amarelo	662-615
	715	70°	0.015 / 0.38	300	amarelo	662-715
Tintas anticorrosivas Tintas de látex Tintas de dispersão	117	10°	0.017 / 0.43	100	amarelo	662-117
	217	20°	0.017 / 0.43	120	amarelo	662-217
	317	30°	0.017 / 0.43	150	amarelo	662-317
	417	40°	0.017 / 0.43	190	amarelo	662-417
	517	50°	0.017 / 0.43	225	amarelo	662-517
	617	60°	0.017 / 0.43	270	amarelo	662-617
	717	70°	0.017 / 0.43	300	amarelo	662-717
Tintas anticorrosivas Tintas de látex Tintas de dispersão	219	20°	0.019 / 0.48	120	branco	662-219
	319	30°	0.019 / 0.48	150	branco	662-319
	419	40°	0.019 / 0.48	190	branco	662-419
	519	50°	0.019 / 0.48	225	branco	662-519
	619	60°	0.019 / 0.48	270	branco	662-619
	719	70°	0.019 / 0.48	300	branco	662-719
Proteção contra incêndios	221	20°	0.021 / 0.53	120	branco	662-221
	321	30°	0.021 / 0.53	150	branco	662-321
	421	40°	0.021 / 0.53	190	branco	662-421
	521	50°	0.021 / 0.53	225	branco	662-521
	621	60°	0.021 / 0.53	270	branco	662-621
	721	70°	0.021 / 0.53	300	branco	662-721
	821	80°	0.021 / 0.53	330	branco	662-821

1) Largura de pulverização a aproximadamente 30 cm de distância do objecto a ser pulverizado e uma pressão de 100 bar (10 MPa) com tinta de resina sintética com viscosidade de 20 DIN-segundos.

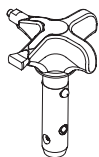


Todas as agulhetas na tabela em baixo são fornecidas com o correspondente filtro de pistola.

Aplicação	Marcação da agulheta	Ângulo de pulverização	Orifício inch / mm	Largura de pulverização ¹⁾	Filtro da pistola	Nº de encomenda
Material contra incêndios para telhados	223	20°	0.023 / 0.58	120	branco	662-223
	323	30°	0.023 / 0.58	150	branco	662-323
	423	40°	0.023 / 0.58	190	branco	662-423
	523	50°	0.023 / 0.58	225	branco	662-523
	623	60°	0.023 / 0.58	270	branco	662-623
	Materiais vedantes, Proteção contra a corrosão, Argamassa em spray	225	20°	0.025 / 0.64	120	branco
325		30°	0.025 / 0.64	150	branco	662-325
425		40°	0.025 / 0.64	190	branco	662-425
525		50°	0.025 / 0.64	225	branco	662-525
625		60°	0.025 / 0.64	270	branco	662-625
227		20°	0.027 / 0.69	120	branco	662-227
327		30°	0.027 / 0.69	150	branco	662-327
427		40°	0.027 / 0.69	190	branco	662-427
527		50°	0.027 / 0.69	225	branco	662-527
627		60°	0.027 / 0.69	270	branco	662-627
229		20°	0.029 / 0.75	120	branco	662-229
329		30°	0.029 / 0.75	150	branco	662-329
429		40°	0.029 / 0.75	190	branco	662-429
529		50°	0.029 / 0.75	225	branco	662-529
629		60°	0.029 / 0.75	270	branco	662-629
231		20°	0.031 / 0.79	120	branco	662-231
331		30°	0.031 / 0.79	150	branco	662-331
431		40°	0.031 / 0.79	190	branco	662-431
531		50°	0.031 / 0.79	225	branco	662-531
631		60°	0.031 / 0.79	270	branco	662-631
731		70°	0.031 / 0.79	300	branco	662-731
831		80°	0.031 / 0.79	330	branco	662-831
233		20°	0.033 / 0.83	120	branco	662-233
333		30°	0.033 / 0.83	150	branco	662-333
433		40°	0.033 / 0.83	190	branco	662-433
533		50°	0.033 / 0.83	225	branco	662-533
633		60°	0.033 / 0.83	270	branco	662-633
235		20°	0.035 / 0.90	120	branco	662-235
335		30°	0.035 / 0.90	150	branco	662-335
435		40°	0.035 / 0.90	190	branco	662-435
535		50°	0.035 / 0.90	225	branco	662-535
635		60°	0.035 / 0.90	270	branco	662-635
735		70°	0.035 / 0.90	300	branco	662-735
439	40°	0.039 / 0.99	190	branco	662-439	
539	50°	0.039 / 0.99	225	branco	662-539	
639	60°	0.039 / 0.99	270	branco	662-639	
Aplicações Heavy Duty	443	40°	0.043 / 1.10	190	verde	662-443
	543	50°	0.043 / 1.10	225	verde	662-543
	643	60°	0.043 / 1.10	270	verde	662-643
	445	40°	0.045 / 1.14	190	verde	662-445
	545	50°	0.045 / 1.14	225	verde	662-545
	645	60°	0.045 / 1.14	270	verde	662-645
	451	40°	0.051 / 1.30	190	verde	662-451
	551	50°	0.051 / 1.30	225	verde	662-551
	651	60°	0.051 / 1.30	270	verde	662-651
	455	40°	0.055 / 1.40	190	verde	662-455
	555	50°	0.055 / 1.40	225	verde	662-555
	655	60°	0.055 / 1.40	270	verde	662-655

1) Largura de pulverização a aproximadamente 30 cm de distância do objecto a ser pulverizado e uma pressão de 100 bar (10 MPa) com tinta de resina sintética com viscosidade de 20 DIN-segundos.

12.5 Quadro dos bicos de TR²



O inovador bico dispõe de 2 medidas, num só.



Bico de TR² suporte
Nº de encomenda 0271065

Aplicação	Marcação da agulheta (1 / 2)	Ângulo de pulverização (1 / 2)	Orifício 1 inch / mm	Orifício 2 inch / mm	Largura de pulverização 1 mm *	Largura de pulverização 2 mm *	Filtro de pistola	Nº de ped.
Armários, Móveis e Balcões	311/107	30°/10°	0.011 / 0.28	0.007 / 0.18	150	100	vermelho	692-311
	313/109	30°/10°	0.013 / 0.33	0.009 / 0.23	150	100	vermelho	692-313
Portas & Friso	415/111	40°/10°	0.015 / 0.38	0.011 / 0.28	190	100	amarelo	692-415
	417/113	40°/10°	0.017 / 0.43	0.013 / 0.33	190	100	branco	692-417
Óleo ou Látex para Exterior	515/211	50°/20°	0.015 / 0.38	0.011 / 0.28	225	120	amarelo	692-515
Látex para Exterior	517/213	50°/20°	0.017 / 0.43	0.013 / 0.33	225	120	branco	692-517
	519/213	50°/20°	0.019 / 0.48	0.013 / 0.33	225	120	branco	692-519
	521/215	50°/20°	0.021 / 0.53	0.015 / 0.38	225	120	branco	692-521
Enchimento de Blocos	535/223	50°/20°	0.035 / 0.90	0.023 / 0.58	225	120	verde	692-535
	635/327	60°/30°	0.035 / 0.90	0.027 / 0.69	270	150	verde	692-635
Composto para juntas diluído	627/321	60°/30°	0.027 / 0.69	0.021 / 0.53	270	150	verde	692-627
	831/321	80°/30°	0.031 / 0.79	0.021 / 0.53	330	150	verde	692-831
Látex de Pulverização Alargada	1223/315	120°/30°	0.023 / 0.58	0.015 / 0.38	540	150	branco	692-1223
	1231/317	120°/30°	0.031 / 0.79	0.017 / 0.43	540	150	branco	692-1231
Guarda-fogo	525/331	50°/30°	0.035 / 0.90	0.031 / 0.79	225	150	verde	692-525331

* Largura de pulverização a aproximadamente 30 cm de distância do objecto a ser pulverizado e uma pressão de 100 bar (10 MPa) com tinta de resina sintética com viscosidade de 20 DIN-segundos.

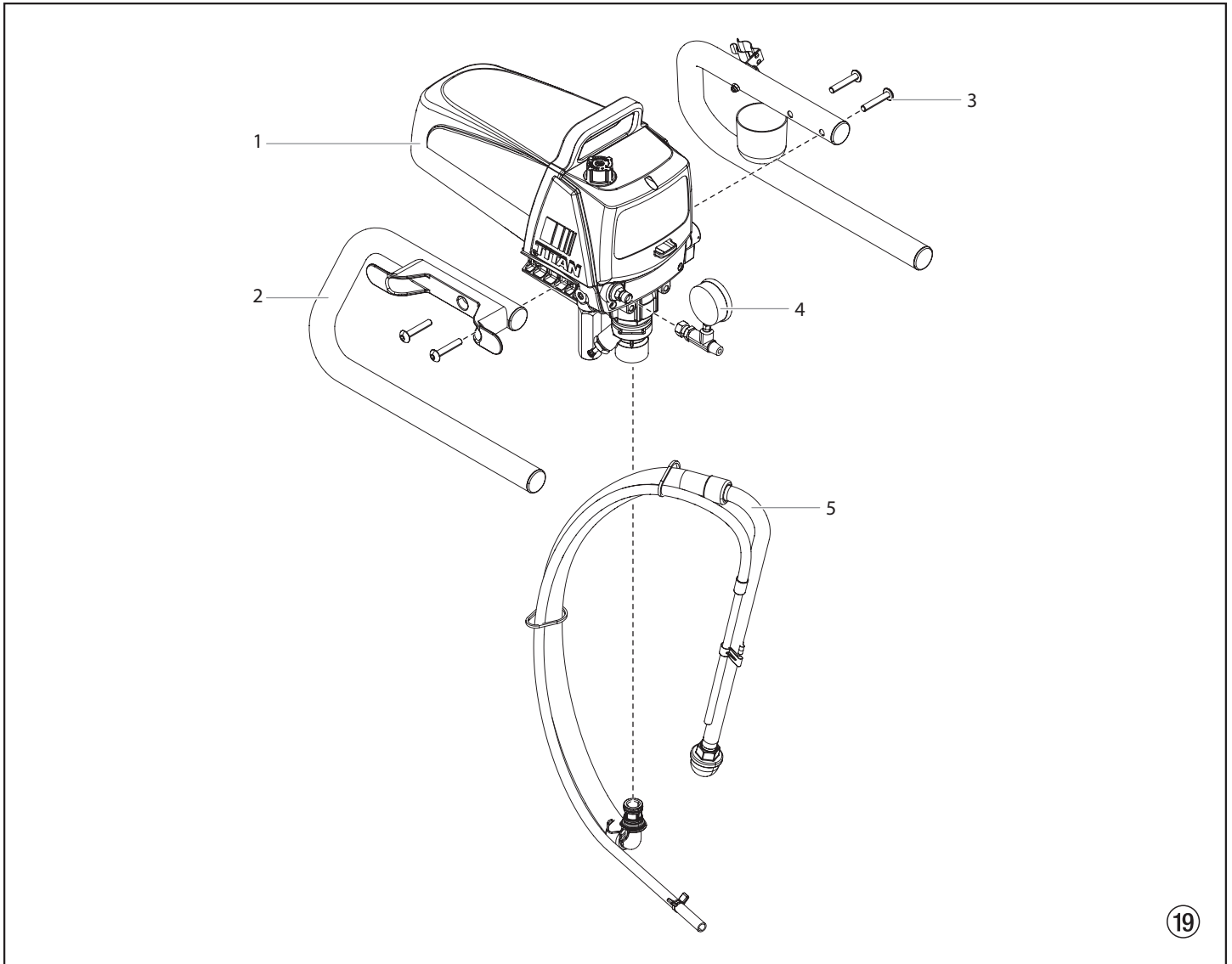
12.6 Acessórios adicionais para 460e

Nº de ped.	Descrição
580-050	Pistola de pulverização LX-80, tubo flexível e bico
580-100A	Pistola de pulverização LX-80 II com bico 517
316-505	Tubo flexível sem ar 1/4" x 50'
314-482	LS-10 Liquid Shield™, 946 ml
314-480	Piston Lube™, garrafa de 8 oz.
0508071	PaintMate, 946 ml

(GB) Main Assembly

(E) Conjunto principal

(P) Conjunto principal



Pos.	460e	(GB) Description	(E) Denominación	(P) Descrição
1*	-----	Drive assembly	Conjunto del mecanismo impulsor	Unidade de comando
2*	-----	Stand assembly	Bastidor-soporte	Estrutura
3	9805348	Screw (4)	Tornillo (4)	Parafuso (4)
4**	0521229	Pressure gauge	Manómetro	Manómetro
5*	0558672A	Siphon assembly	Sistema de aspiración	Sistema de sucção

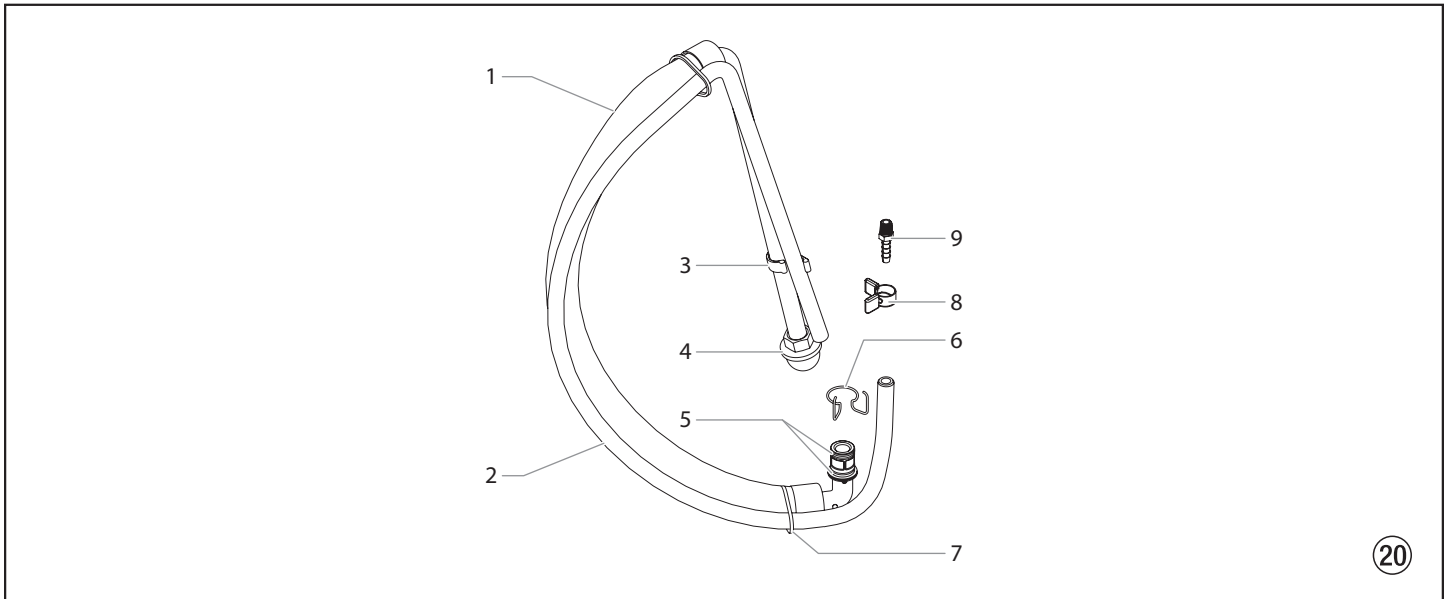
* See separate listing / Consulte la lista separada / Ver a lista em separado

** Not included with all models / No se incluye en todos los modelos / Não incluído em todos os modelos

Ⓒ **Suction system for stand**

Ⓔ **Sistema de aspiración**

Ⓕ **Sistema de sucção**

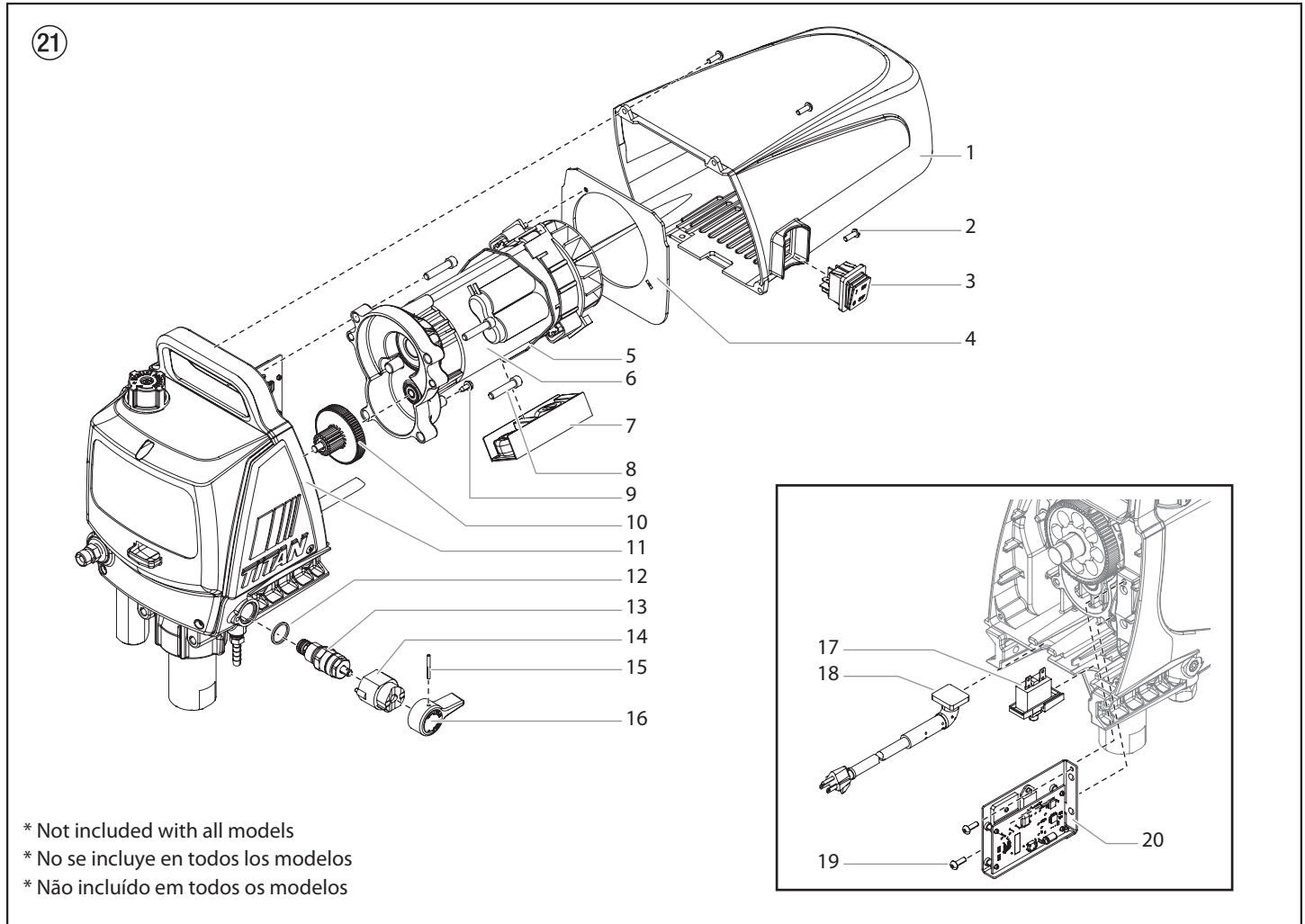


Pos.	460e	Ⓒ Description	Ⓔ Denominación	Ⓕ Descrição
1	0551706	Siphon tube assembly (includes items 1 and 3-6)	Sistema de aspiración (Pos. 1, 3-6)	Sistema de sucção (Pos. 1, 3-6)
2	0558659A	Return tube	Manguera de retorno	Tubo de retorno
3	0279459	Clip	Grapa	Grampo
4	0295565	Inlet screen	Filtro	Filtro
5	9871105	O-ring (2)	Anillo tórico (2)	Anel em O (2)
	704-109	O-ring (for hot solvents, optional) (2)	O-ring (para solventes calientes, opcional) (2)	Joint torique (para solventes quentes, opcional) (2)
6	9822526	Retaining clip	Grapa	Grampo
7	9850638	Tie wrap	Amarre del cable	Braçadeira
8	0327226	Return tube clamp	Grapa del tubo de retorno	Grampo do tubo de retorno
9	193-200	Return tube fitting	Acople del tubo de retorno	Conexão do tubo de retorno

Ⓜ Drive Assembly I

Ⓜ Conjunto del mecanismo impulsor I

Ⓜ Unidade de comando I



CEE 7/7

GB-2099-1

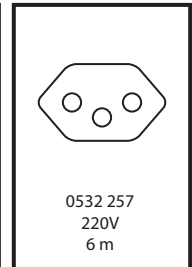
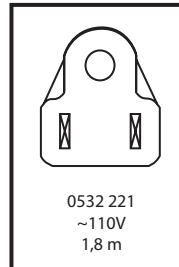
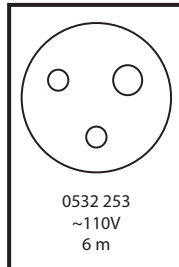
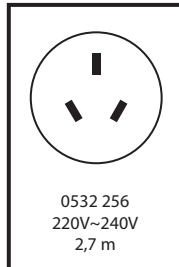
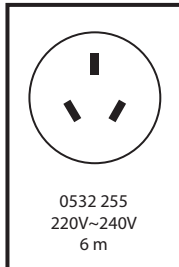
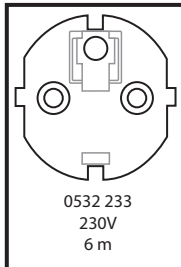
IRAM-2073

AS-3112

BS4343

NEMA 5-15P

IEC 60906

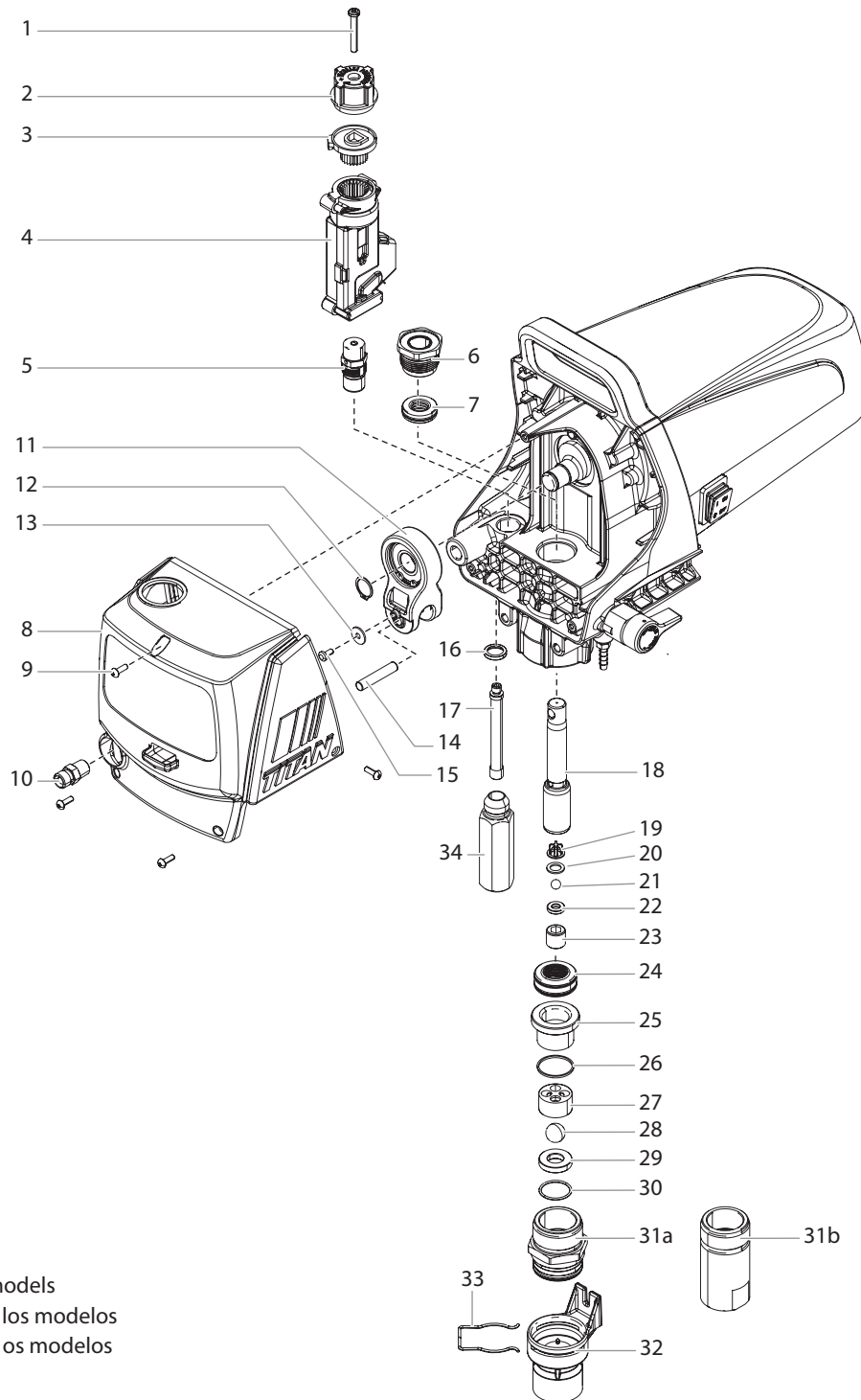


Pos.	460e	(GB) Description	(E) Denominación	(P) Descrição
1	0532937	Motor cover	Cubremotor	Cobertura do motor
2	700-139	Screw (4)	Tornillo (4)	Parafuso (4)
3	9850936	ON/OFF switch	Interruptor	Interruptor
4	0532326	Motor baffle	Pared intermedia	Deflector
5	770-099	Tie wrap	Amarre del cable	Braçadeira
6	0532813	Motor assembly, 230V (includes item 5)	Conjunto de motor, 230 V (incluye el artículo 5)	Conjunto do motor, 230V (inclui o item 5)
	0532812	Motor assembly, 110V (includes item 5)	Conjunto de motor, 110 V (incluye el artículo 5)	Conjunto do motor, 110V (inclui o item 5)
7*	0532234A	EMI filter	Filtro EMI	Filtro EMI
8	9800341	Screw (4)	Tornillo (4)	Parafuso (4)
9	9800340	Ground screw (2)	Tierra el tornillo (2)	Parafuso de ligação à terra (2)
10	0512213	2nd stage gear assembly	Rueda de engranaje, grado 2	Engrenagem de segundo andar
11	0519002	Main housing assembly	Conjunto de carcasa	Conjunto do alojamento
12	0507745	Gasket	Junta	Junta
13	0507254	PRIME/SPRAY valve assembly (includes items 12-16)	Conjunto de válvula de cebado y pulverización (incluye los artículos 12 a 16)	Conjunto da válvula ESCORVAR/PULVERIZAR (inclui os itens 12-16)
14	0507931	Cam base	Base de la leva	Base de came
15	5006543	Groove pin	Pasador de ranura	Pino entalhado
16	0508744	Valve handle	Manilla de la válvula	Manípulo da válvula
17	0532235A	Circuit breaker assembly, 230V	Disjuntor, 230V	Disjuntor, 230V
	0532206A	Circuit breaker assembly, 110V	Disjuntor, 110V	Disjuntor, 110V
18	-----	Power cord assembly	Clavija de red	Spina di rete
19	700-139	Screw (2)	Tornillo (2)	Parafuso (2)
20	0532237A	Circuit board assembly with EMI filter	Conjunto de tarjeta de circuitos con filtro de interferencia electromagnética (EMI)	Conjunto da placa de circuito com filtro de IEM
	0532208A	Circuit board assembly without EMI filter	Conjunto de tarjeta de circuitos sin filtro de interferencia electromagnética (EMI)	Conjunto da placa de circuito sem filtro de IEM

ⓐ Drive Assembly II

ⓔ Conjunto del mecanismo impulsor II

Ⓟ Unidade de comando II



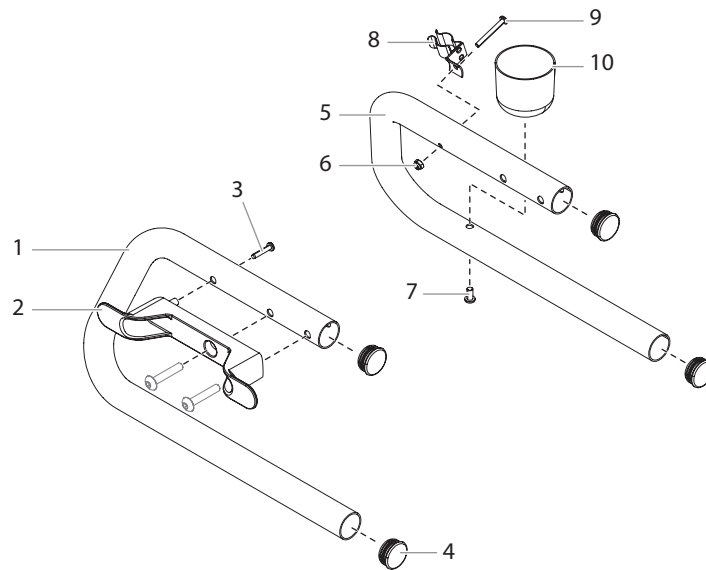
* Not included with all models
 * No se incluye en todos los modelos
 * Não incluído em todos os modelos

Pos.	460e	(GB) Description	(E) Denominación	(P) Descrição
1	9805300	Screw	Tornillo	Parafuso
2	0532355A	Pressure control knob	Mando regulador de presión	Botão regulador da pressão
3	0532334A	Pressure control knob bottom	Parte inferior del regulador de presión	Parte inferior do botão regulador da pressão
4	0532216A	Pressure switch	Interruptor de presión	Comutador de pressão
5	0532223A	Transducer assembly	Impulsor manométrico	Conjunto do transdutor
6	0532215	Upper bushing	Buje superior	Bucha superior
7	0532914	Upper packing	Empaquetadura superior	Empanque superior
8	0532246A	Front cover	Tapa frontal	Tampa frontal
9	700-139	Screw (5)	Tornillo (5)	Parafuso (5)
10	227-006	Outlet fitting	Pieza de unión	Junção dupla
11	0532203A	Yoke assembly	Conjunto de yugo	Conjunto da indutor
12	9822529	Retainer ring	Anillo de fijación	Anel de retenção
13	9822600	Washer	Arandela	Arruela
14	9832128	Dowel pin	Pasador de espiga	Pino de ajuste
15	9805446	Screw	Tornillo	Parafuso
16	0296289	Seal	Junta	Junta
17	540-030	Filter	Filtro	Filtro
18	0532254A	Piston assembly (includes items 18-23)	Conjunto de pistón (incluye los elementos 18-23)	Conjunto do pistão (inclui os itens 18-23)
19	0551262	Upper cage	Guía de bola superior	Guia de esfera superior
20	0551263	Washer	Arandela	Arruela
21	50164	Outlet valve ball	Bola de válvula de escape	Esfera da válvula de escape
22	0551620	Outlet valve seat	Encaje de válvula de escape	Sede da válvula de escape
23	0512342	Outlet valve retainer	Caja de válvula de escape	Corpo da válvula de escape
24	0532915	Lower packing	Empaquetadura inferior	Empanque inferior
25	0552489	Bushing	Manguito	Bucha
26	0509581	Inlet valve seal	Junta inferior	Junta inferior
27	0509591	Inlet valve cage	Guía de bola inferior	Guia de esfera inferior
28	0509583	Inlet valve ball	Bola de válvula de admisión	Esfera da válvula de admisión
29	0532345	Inlet valve seat	Encaje de válvula de admisión	Sede da válvula de admisión
30	0509582	O-ring, PTFE	Anillo tórico, PTFE	Anel em O, PTFE
31a	805-351A	Inlet valve housing	Caja de válvula de admisión	Corpo da válvula de admisión
31b	0508680	Inlet valve housing	Caja de válvula de admisión	Corpo da válvula de admisión
32*	0532242A	Pusher assembly (includes item 33)	Conjunto impulsor (incluye le artículo 33)	Conjunto do propulsor (inclui os iten 33)
33*	805-350	Clip	Grapa	Grampo
34	0532360A	Filter housing	Caja de filtro	Corpo da filtro
	0532911	Fluid section repacking kit (includes items 6-7, 20-21, 24, 26, 28 and 30)	Juego para volver a colocar la empaquetadura de la sección de líquido (incluye los artículos 6 a 7, 20-21, 24, 26, 28 y 30)	Kit de novos empanques da secção de fluido (inclui os itens 6-7, 20-21, 24, 26, 28 e 30)
	0532938	Valve seat kit (includes items 19-22, and 28-30)	Juego de asiento de la válvula (incluye los artículos 19 a 22 y 28 a 30)	Kit de sede da válvula (inclui os itens 19-22 e 28-30)

Ⓒ Stand Assembly

Ⓔ Bastidor-soporte

Ⓓ Estrutura



23

Pos.	460e	Ⓒ Description	Ⓔ Denominación	Ⓓ Descrição
1	0532372A	Leg, right	Arco a la derecha	Apoio direito
2	0532356	Cord wrap	Soporte de cable de red	Suporte do cabo
3	0508660	Screw	Tornillo	Parafuso
4	0294635	Plug (4)	Tapón de cierre (4)	Tampão (4)
5	0532337A	Leg, left	Arco a la izquierda	Apoio esquerdo
6	0509856	Nut	Tuerca	Porca
7	9805230	Screw	Tornillo	Parafuso
8	806-216	Clip	Grapa	Grampo
9	704-243	Screw	Tornillo	Parafuso
10	0508381	Drip cup	Recipiente de limpieza	Recipiente de gotejamento



Warranty

Titan Tool, Inc. ("Titan") warrants that at the time of delivery to the original purchaser for use ("End User"), the equipment covered by this warranty is free from defects in material and workmanship. With the exception of any special, limited, or extended warranty published by Titan, Titan's obligation under this warranty is limited to replacing or repairing without charge those parts which, to Titan's reasonable satisfaction, are shown to be defective within twelve (12) months after sale to the End User. This warranty applies only when the unit is installed and operated in accordance with the recommendations and instructions of Titan.

This warranty does not apply in the case of damage or wear caused by abrasion, corrosion or misuse, negligence, accident, faulty installation, substitution of non-Titan component parts, or tampering with the unit in a manner to impair normal operation.

Defective parts are to be returned to an authorized Titan sales/service outlet. All transportation charges, including return to the factory, if necessary, are to be borne and prepaid by the End User. Repaired or replaced equipment will be returned to the End User transportation prepaid.

THERE IS NO OTHER EXPRESS WARRANTY. TITAN HEREBY DISCLAIMS ANY AND ALL IMPLIED WARRANTIES INCLUDING, BUT NOT LIMITED TO, THOSE OF MERCHANTABILITY AND FITNESS FOR A PARTICULAR PURPOSE, TO THE EXTENT PERMITTED BY LAW. THE DURATION OF ANY IMPLIED WARRANTIES WHICH CANNOT BE DISCLAIMED IS LIMITED TO THE TIME PERIOD SPECIFIED IN THE EXPRESS WARRANTY. IN NO CASE SHALL TITAN LIABILITY EXCEED THE AMOUNT OF THE PURCHASE PRICE. LIABILITY FOR CONSEQUENTIAL, INCIDENTAL OR SPECIAL DAMAGES UNDER ANY AND ALL WARRANTIES IS EXCLUDED TO THE EXTENT PERMITTED BY LAW.

TITAN MAKES NO WARRANTY AND DISCLAIMS ALL IMPLIED WARRANTIES OF MERCHANTABILITY AND FITNESS FOR A PARTICULAR PURPOSE WITH RESPECT TO ACCESSORIES, EQUIPMENT, MATERIALS OR COMPONENTS SOLD BUT NOT MANUFACTURED BY TITAN. THOSE ITEMS SOLD, BUT NOT MANUFACTURED BY TITAN (SUCH AS GAS ENGINES, SWITCHES, HOSES, ETC.) ARE SUBJECT TO THE WARRANTY, IF ANY, OF THEIR MANUFACTURER. TITAN WILL PROVIDE THE PURCHASER WITH REASONABLE ASSISTANCE IN MAKING ANY CLAIM FOR BREACH OF THESE WARRANTIES.



Garantía

Titan Tool, Inc. ("Titan") garantiza que al momento de la entrega al comprador original para su uso ("Usuario Final") el equipo que se encuentra bajo la cobertura de esta garantía no presentará defectos de materiales ni de mano de obra. A excepción de cualquier garantía especial, limitada o extendida publicada por Titan, la obligación de Titan según esta garantía se limita el reemplazo o la reparación sin cargo de las piezas, las que según el criterio de Titan se presenten como defectuosas dentro de doce (12) meses después de la venta al Usuario Final. Esta garantía es aplicable sólo cuando la unidad se instala y se hace funcionar de acuerdo con las recomendaciones e instrucciones de Titan.

Esta garantía no se aplica en caso de daño o desgaste provocado por abrasión, corrosión, uso indebido, negligencia, accidente, instalación defectuosa, sustitución de piezas de componentes que no pertenezcan a Titan o la alteración de la unidad de alguna manera que impida su funcionamiento normal.

Las piezas defectuosas se deben devolver a una tienda de ventas/servicio técnico autorizada de Titan. Todos los cargos de transporte, incluido el regreso a la fábrica de ser necesario, deben ser costeados y pagados por adelantado por el Usuario Final. El equipo que se repare o reemplace se devolverá al Usuario Final con los gastos de envío pagados por adelantado.

NO EXISTE OTRA GARANTÍA EXPRESA. POR ESTE MEDIO TITAN NIEGA TODAS LAS GARANTÍAS IMPLÍCITAS, ENTRE LAS QUE SE INCLUYEN, AQUELLAS DE COMERCIABILIDAD Y APTITUD PARA UN FIN EN PARTICULAR DENTRO DE LO QUE PERMITA LA LEY. LA DURACIÓN DE CUALQUIER GARANTÍA IMPLÍCITA QUE NO SE PUEDA NEGAR SE LIMITA AL PERÍODO QUE SE ESPECIFIQUE EN LA GARANTÍA EXPRESA. LA RESPONSABILIDAD DE TITAN NO EXCEDERÁ EN NINGÚN CASO EL VALOR DE LA COMPRA. LA RESPONSABILIDAD POR DAÑOS ESPECIALES, INDIRECTOS O EMERGENTES SEGÚN CUALQUIERA Y TODAS LAS GARANTÍAS ESTÁ EXCLUIDA DENTRO DE LO QUE PERMITA LA LEY.

TITAN NO REALIZA NINGUNA GARANTÍA Y NIEGA TODAS LAS GARANTÍAS IMPLÍCITAS DE COMERCIABILIDAD Y APTITUD PARA UN FIN EN PARTICULAR EN RELACIÓN CON ACCESORIOS, EQUIPOS, MATERIALES O COMPONENTES QUE VENDA, PERO QUE NO FABRIQUE TITAN. ESTOS ARTÍCULOS QUE VENDA, PERO QUE NO FABRIQUE TITAN (TALES COMO MOTORES DE GAS, INTERRUPTORES, MANGUERAS, ETC.) ESTÁN SUJETOS A LA GARANTÍA, DE EXISTIR ALGUNA, DE SU FABRICANTE. TITAN PROPORCIONARÁ UNA ASISTENCIA RAZONABLE AL COMPRADOR PARA REALIZAR CUALQUIER RECLAMACIÓN POR EL INCUMPLIMIENTO DE ESTAS GARANTÍAS.

United States Sales & Service

Phone: 1-800-526-5362

Fax: 1-800-528-4826

1770 Fernbrook Lane
Plymouth, MN 55447
www.titantool.com

International Sales

international@titantool.com

Fax: 1-763-519-3509

1770 Fernbrook Lane
Plymouth, MN 55447

Garantia

A Titan Tool, Inc., ("Titan") garante que, no momento da entrega ao comprador original para seu uso ("Utilizador Final"), o equipamento coberto por esta garantia está isento de defeitos no material e na fabricação. Com a exceção de qualquer garantia especial, limitada ou alargada publicada pela Titan, a obrigação da Titan sob esta garantia se limita a substituir ou reparar sem cobrar essas peças que, segundo o critério da Titan, demonstram estar defeituosas dentro de doze (12) meses após a venda ao Utilizador Final. Esta garantia aplica-se apenas quando a unidade é instalada e operada de acordo com as recomendações e as instruções da Titan.

Esta garantia não se aplica no caso de danos ou desgaste causado pelo desgaste abrasivo, corrosão ou uso indevido, negligência, acidente, instalação incorrecta, substituição de peças de componentes sem serem da Titan, ou alteração ilegal da unidade de forma a afectar o funcionamento normal.

As peças defeituosas devem ser devolvidas a um centro de vendas/serviço autorizado da Titan. Todos os encargos de transporte, incluindo a devolução à fábrica, se necessário, serão custeados e pagos previamente pelo Utilizador Final. O equipamento reparado ou substituído será devolvido ao Utilizador Final com porte pré-pago.

NÃO EXISTE NENHUMA OUTRA GARANTIA EXPRESSA. A TITAN RECUSA PELA PRESENTE TODAS E QUAISQUER GARANTIAS IMPLÍCITAS INCLUINDO, SEM LIMITAÇÕES, AS DE ADEQUAÇÃO À COMERCIALIZAÇÃO, ADEQUAÇÃO A UM FIM ESPECÍFICO, NA MEDIDA EM QUE A LEGISLAÇÃO OBRIGA. A DURAÇÃO DE QUAISQUER GARANTIAS IMPLÍCITAS QUE NÃO PODEM SER RECUSADAS LIMITA-SE AO PRAZO ESPECIFICADO NA GARANTIA EXPRESSA. EM CASO ALGUM, A RESPONSABILIDADE DA TITAN EXCEDERÁ O MONTANTE DO PREÇO DE COMPRA. A RESPONSABILIDADE POR DANOS CONSEQUENCIAIS, ACIDENTAIS OU ESPECIAIS AO ABRIGO DE TODAS E QUAISQUER GARANTIAS ESTÁ EXCLUÍDA NA MEDIDA EM QUE A LEGISLAÇÃO OBRIGA.

A TITAN NÃO OFERECE GARANTIAS E RECUSA TODAS AS GARANTIAS IMPLÍCITAS DE ADEQUAÇÃO À COMERCIALIZAÇÃO E ADEQUAÇÃO A UM FIM ESPECÍFICO REFERENTE A ACESSÓRIOS, EQUIPAMENTO, MATERIAIS OU COMPONENTES VENDIDOS, MAS NÃO FABRICADOS PELA TITAN. AQUELES ARTIGOS VENDIDOS, MAS NÃO FABRICADOS PELA TITAN (COMO MOTORES A GÁS, INTERRUPTORES, TUBOS, ETC.), ESTÃO SUJEITOS À GARANTIA DO SEU PRÓPRIO FABRICANTE, CASO EXISTA. A TITAN PROPORCIONARÁ AO COMPRADOR ASSISTÊNCIA ADEQUADA PARA EFECTUAR QUAISQUER RECLAMAÇÕES EM CASO DE INCUMPRIMENTO DESTAS GARANTIAS.

GB

Note on disposal:

In observance of the European Directive 2002/96/EC on waste electrical and electronic equipment and implementation in accordance with national law, this product is not to be disposed of together with household waste material but must be recycled in an environmentally friendly way!

Titan or one of our dealers will take back your used Titan waste electrical or electronic equipment and will dispose of it for you in an environmentally friendly way. Please ask your local Titan service centre or dealer for details or contact us direct.



E

Observación sobre la eliminación de residuos:

De acuerdo con la directriz europea 2002/96/CE referente a la eliminación de aparatos eléctricos usados y su puesta en la práctica en el derecho nacional, este producto no se deberá eliminar en la basura doméstica, ¡sino que se deberá llevar a una planta de reciclaje ecológico!

Su aparato usado de Titan nos lo puede entregar a nosotros o a una de nuestras agencias comerciales, del resto nos ocupamos nosotros, es decir, de la eliminación ecológica de los residuos. Dirijase en este caso a uno de nuestros centros de asistencia técnica o a una de nuestras agencias comerciales o bien directamente a nosotros.



P

Observação sobre a inutilização/eliminação:

Em observância à Directiva Europeia 2002/96/EC sobre inutilização/eliminação de equipamentos electrónicos e eléctricos e respectiva implementação em conformidade com a lei nacional, este produto não deve ser eliminado juntamente com lixo doméstico, devendo ser reciclado de modo ecológico!

A Titan ou um dos seus revendedores irão proceder à recolha do seu equipamento eléctrico ou electrónico Titan para o eliminar por si, de forma ecológica. Contacte o centro de assistência ou revendedor Titan local ou contacte-nos directamente.



TITAN™

United States Sales & Service

Phone: 1-800-526-5362

Fax: 1-800-528-4826

1770 Fernbrook Lane
Plymouth, MN 55447
www.titantool.com

International Sales

international@titantool.com

Fax: 1-763-519-3509

1770 Fernbrook Lane
Plymouth, MN 55447