

ASSA ABLOY is the global leader in door opening solutions, dedicated to satisfying end-user needs for security, safety and convenience



Please Note:

This document is provided as a dimensional reference and should not be printed as a drilling template unless it can be correctly scaled to 100% by your printer.

ASSA ABLOY Australia Pty Limited
235 Huntingdale Road,
Oakleigh Victoria, 3166
Australia

info.au@assaabloy.com
assaabloy.com.au

ASSA ABLOY New Zealand Ltd.
6 Armstrong Road
Albany, North Shore City, 0632
New Zealand

info.nz@assaabloy.com
assaabloy.co.nz

Part No. 5039M 0609
PassageMode - free to enter from outside and free to exit from inside
SafetyMode - locked from the outside and free to exit from inside
SecureMode - locked from both the inside and outside

MECHANICAL OPERATION

On Entry • From the outside, rotate key 90° clockwise, operate the external handle and open door.
 • (Lock goes into **PassageMode**)
 Rotate key 90° anti-clockwise to remove.
 (Lock returns to **SafetyMode**)

On Exit • From the inside, with Snib in **PassageMode**, operate the internal handle. (Lock stays in **PassageMode**)
 • From the inside, with Snib in **SafetyMode**, operate the internal handle. (Lock goes into **PassageMode** and stays in **PassageMode**)
 • To lock door on exit, turn Snib to **SafetyMode** and close door.

To SecureMode (Both handles locked)
 • With Snib in **PassageMode** - Both handles operational
 • With door open and with Snib in **SafetyMode** - Rotate the internal key 360° clockwise to **SecureMode**, close door. (Rotate the internal key 360° anti-clockwise to remove **SecureMode**)

TOOLS REQUIRED

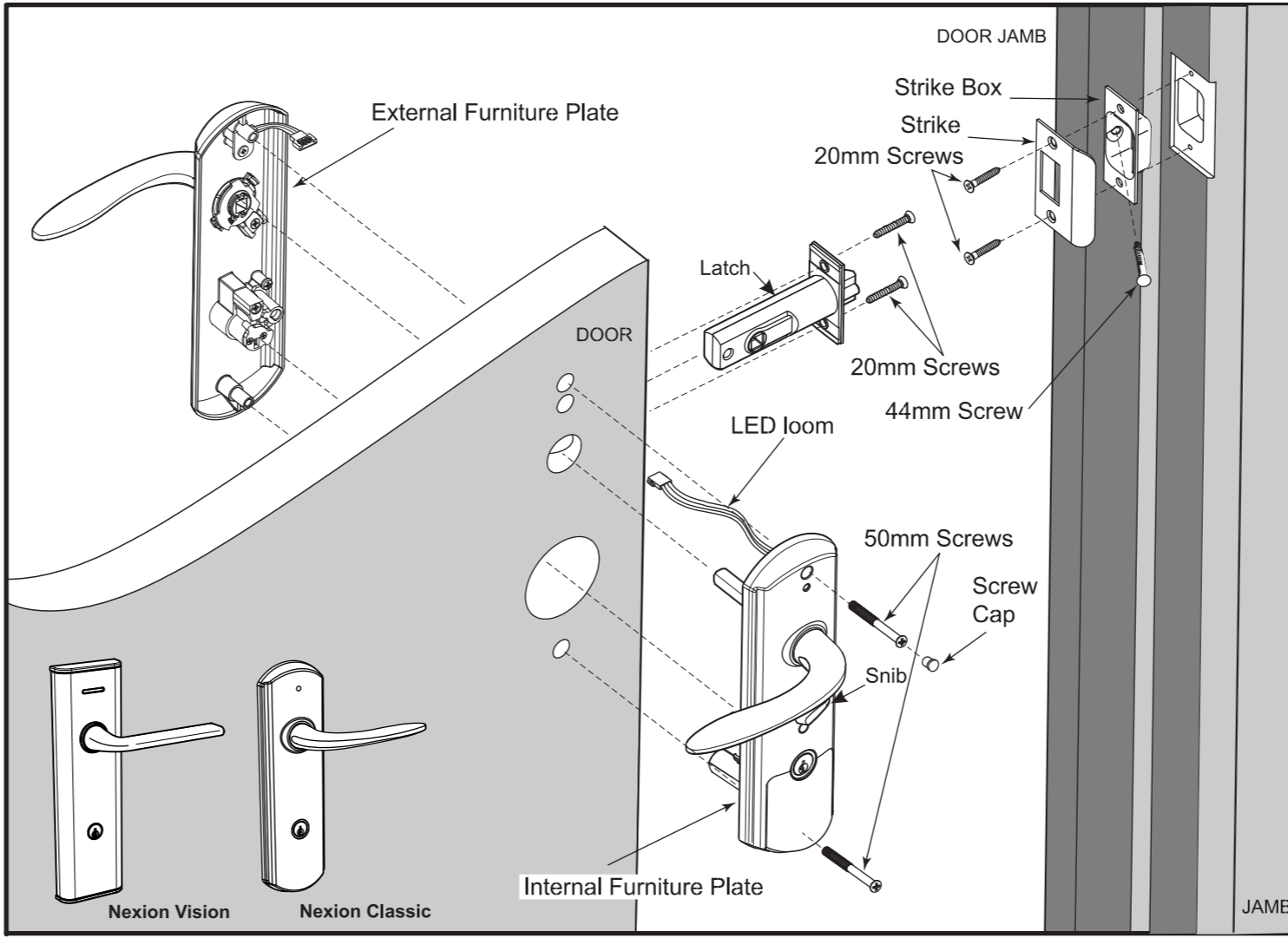
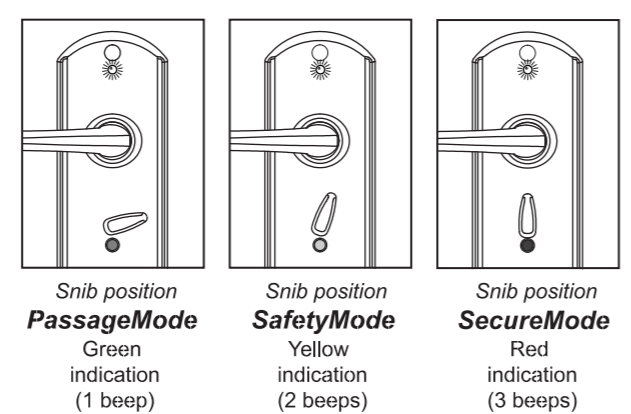
- Ø2.5mm / 3/32" Drill bit
- Ø25mm / 1" Spade bit
- Ø10mm / 3/8" Drill bit
- Ø54mm / 2 1/8" Hole saw
- Electric drill
- Chisel - 25mm or smaller
- Hammer
- Phillips Head screwdriver
- Masking tape
- Pencil
- Ruler / Measuring tape

Please ensure that all necessary safety precautions are undertaken when installing this lockset.

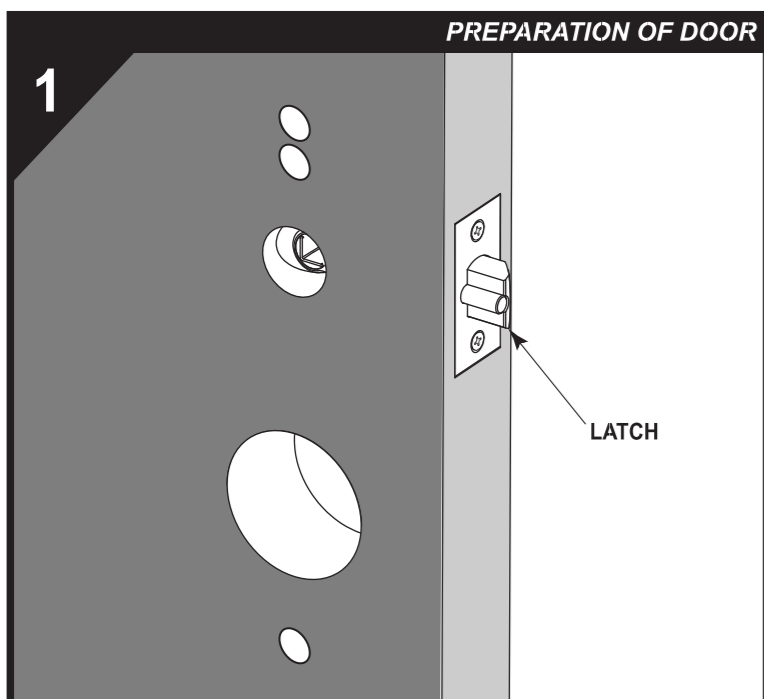
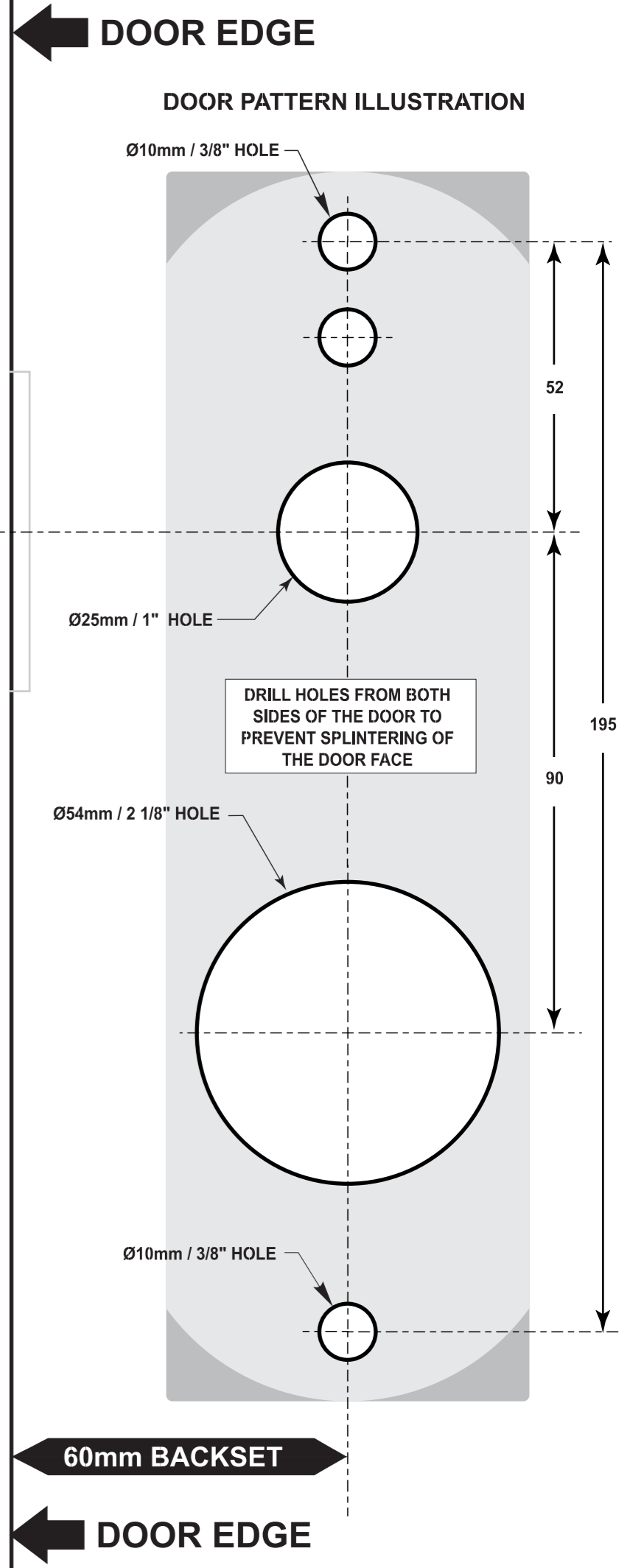
ELECTRONIC OPERATION

• Depress UNLOCK button on fob. Green light flashes and beep signals, putting lock into **PassageMode** for 6 seconds. Rotate handle and enter (within the 6 sec.). Lock returns to **SafetyMode** automatically with a Yellow flashing light and 2 beeps.

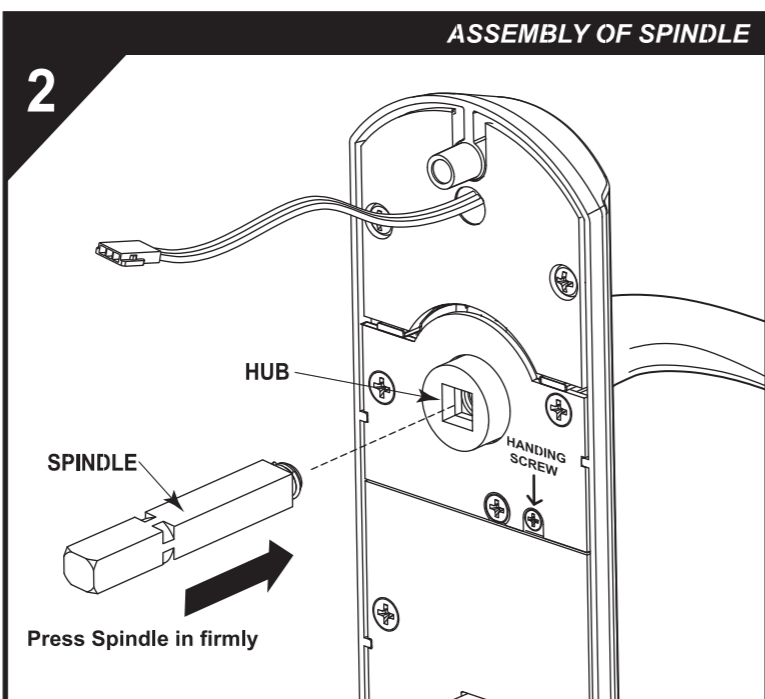
• Depress LOCK button on fob. Red light flashes with 3 beeps putting the lock into **SecureMode**.



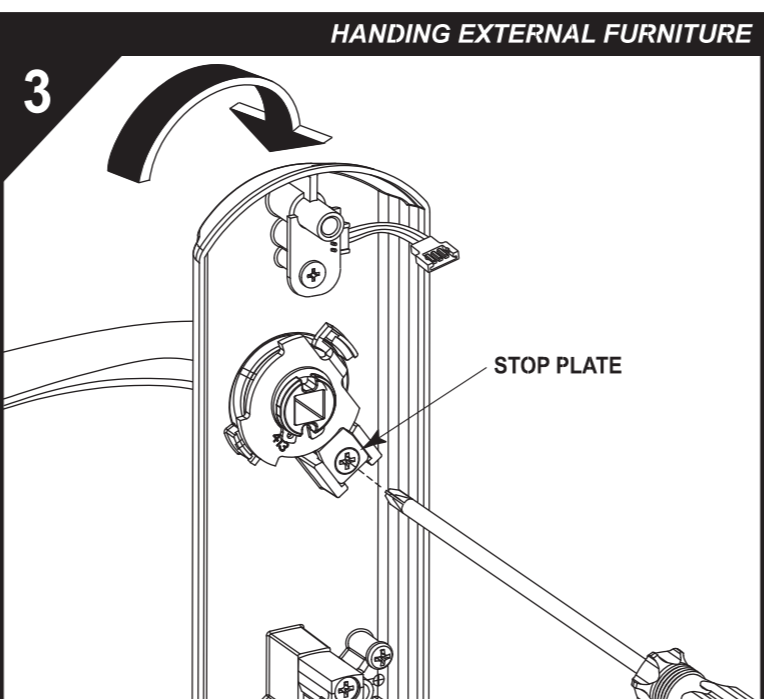
Ø25mm / 1" HOLE x 90mm DEEP



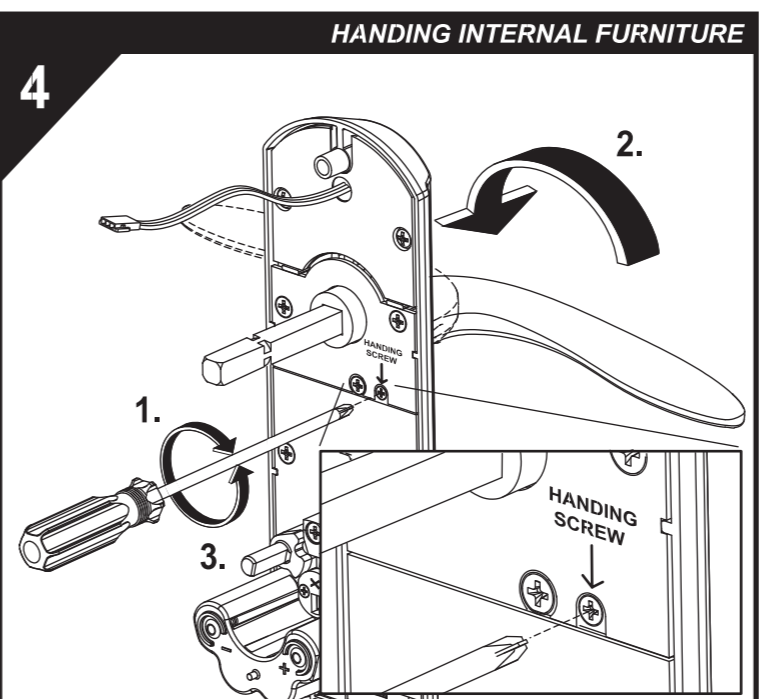
• Using the accompanying metal drill template and Door Preparation instruction, prepare the door and assemble latch as shown above. Check hole pattern against the Hole Pattern Illustration on this page.
 When completed make sure holes are free of any sawdust or loose material.



• Assemble the spindle by inserting into the hub in the internal furniture plate and pressing firmly as shown.
 • It is important to ensure the spindle is securely and permanently engaged.



• Check the required handing of the furniture to the door, i.e. left or right hand. The furniture should always operate downwards and spring return up.
 • To change the handing of the external furniture plate, firstly remove the stop plate screw and stop plate, rotate furniture over 180° (half turn) to handing required, replace stop plate and screw.
 • Prior to assembling to door, check that furniture operates correctly.
 • NOTE: Both handles and Knobs need to have the correct handing set.

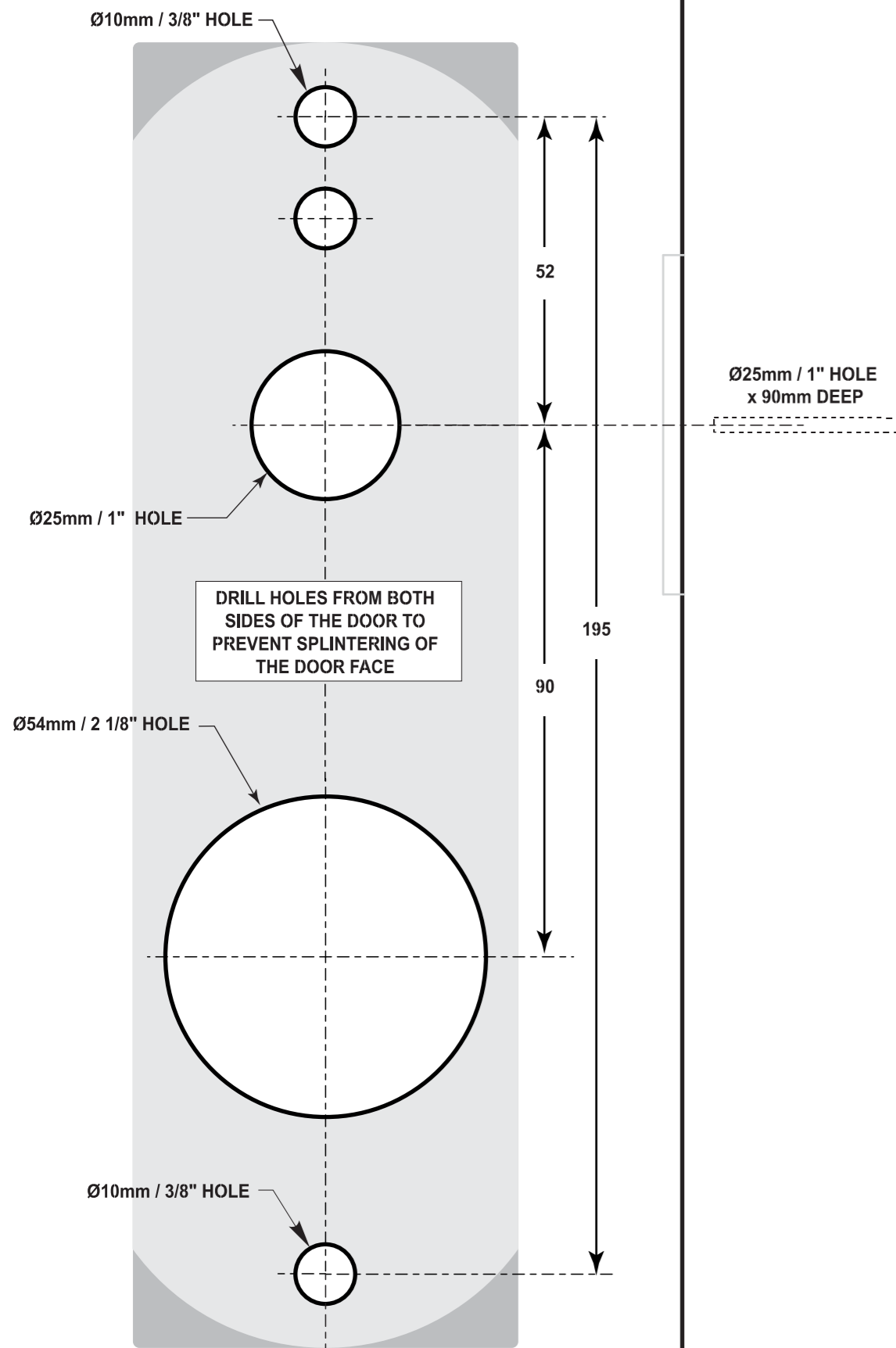


• To set the handing of the internal furniture:
 1. Fully loosen the screw marked 'HANDING SCREW'.
 2. Rotate handle or knob over 180° (half turn upwards) to required position.
 3. Re-tighten 'HANDING SCREW'.
 • Check that furniture operates correctly.

DOOR EDGE →



DOOR PATTERN ILLUSTRATION



60mm BACKSET

DOOR EDGE →

5 FITTING INTERNAL FURNITURE

1. TURN KEY ANTI-CLOCKWISE 90°

2. SLIDE DOWN BATTERY ACCESS COVER

- To assemble the furniture plates insert key and rotate 90° anti-clockwise, then slide battery access cover down to access bottom mounting screw and battery compartment.
- For the Single Egress version (ie:- version with no internal key), simply slide down the Battery Access Cover, no key rotation is required.

6 FITTING INTERNAL FURNITURE

INTERNAL FURNITURE PLATE

SNIB (SHOWN IN PassageMode)

- Place internal furniture plate into **PassageMode** by turning the snib clockwise to a near horizontal position (the indicator will show green).
- Feed the LED loom through hole 'A', then position spindle through square hole in latch. Locate battery holder in the large hole and position the furniture screw posts in the top and bottom holes.

7 FITTING EXTERNAL FURNITURE

EXTERNAL FURNITURE PLATE

LED PLUGS

INTERNAL CYLINDER DRIVER

EXTERNAL CYLINDER DRIVER

- Assemble the LED plugs together as shown.
- With the key inserted in the external furniture plate, rotate the key clockwise to passage mode as shown.
- Assemble to door and engage with internal furniture plate. The internal and external cylinder drivers should locate correctly. Ensure LED loom is enclosed neatly in the external furniture plate.

8 INSTALLING BATTERIES

- To open battery compartment slide down cover and hinge outward.
- Insert 4 good quality AA alkaline batteries in the lockset. Rechargeable batteries can not used in this product. **IMPORTANT - Ensure the batteries are orientated correctly.**
- Check operation of lockset by rotating key in exterior furniture plate, interior snib should operate.

9 SECURING FURNITURE

50mm SCREWS

- Screw furniture plates together using 2 x 50mm screws.
- IMPORTANT - Ensure no wires are protruding outside the furniture plate.**
- Assemble screw cap as shown.

10 FUNCTION CHECK

Q-KEY

- The two provided "Q-KEY's" are programmed to your lock. To program additional "Q-KEY's" refer to the Owner's manual. Check all Electronic and mechanical operation of lock assembly. Check snib operation and key operation.
- With the key in a horizontal position replace Battery access cover.

11 FITTING STRIKE

JAMB

STRIKE BOX

STRIKE

MORTICE CUTOUT FOR STRIKE BOX AND STRIKE

44mm SCREW

20mm SCREWS

- Partially close door and mark position of latch bolt, mark and mortise door jamb to suit Strike Box and Strike. Drill Ø2.5 pilot holes for Strike Box and Strike screws. The recommended door gap between the door and doorframe is 3mm.
- Insert Strike Box and secure with 44mm screw.
- Place Strike in position and secure with 2 x 20mm screws.
- Check final operation of lock, latch and strike.

LOCKWOOD GUARANTEE ASSA ABLOY

ASSA ABLOY Australia Pty Limited ("ASSA ABLOY") warrants its Lockwood products against defects in workmanship and materials, subject to the limitations and exclusions set out in this Warranty. If, within the normal working life of a product, it is found to be defective, and none of the limitations and exclusions set out in this Warranty apply, ASSA ABLOY will supply the same or equivalent product free of charge. This is the only remedy granted by ASSA ABLOY under this Warranty. Limitations: All electrical and electronic components used in ASSA ABLOY's Lockwood range of products (excluding batteries) are guaranteed for a period of 12 months from the date of proof of purchase, unless stated otherwise. Exclusions: This Warranty does not cover: 1. Damage to or malfunction or failure of the Lockwood product caused or contributed to by: (a) improper installation or failure to follow fitting instructions; (b) improper maintenance; (c) fair wear and tear; (d) any modification or repair which has not been authorized by ASSA ABLOY; (e) use of substitute or replacement parts or cylinders other than genuine ASSA ABLOY parts or cylinders; or (f) use of batteries other than those specified by ASSA ABLOY. 2. The cost of: (a) removal and/or replacement of the Lockwood product; (b) freight and/or travelling time; (c) replacement batteries; or (d) any modification or repairs to a Lockwood product, unless authorised by ASSA ABLOY. 3. Damage to or deterioration of the plated finishes Florentine Bronze, Architectural Bronze, Polished Brass, Gold and Satin Brass, which are classified as soft finishes, and are subject to deterioration under some environmental conditions. 4. Damage caused by corrosion when the Lockwood product is used in a corrosive environment. 5. Personal injury, property damage or economic loss, however caused. Symmetry® 5 Year Finish Warranty: ASSA ABLOY Australia Pty Limited will replace five-year branded Symmetry product if within five years from the proven date of purchase it tarnishes, discolours or corrodes when properly installed and subject to no more than fair wear and tear. Symmetry® Everbrass® Warranty: Everbrass product is coated both on the exterior and interior surfaces with a lifetime anti-tarnish finish. ASSA ABLOY Australia Pty Limited will replace Everbrass branded product if it corrodes, tarnishes or discolours when properly installed and subject to no more than fair wear and tear. This Warranty is in addition to and not in substitution for any rights of the purchaser under the Trade Practices Act and state or territory legislation.