

Step 4: Hook TV Wall Mount to Wall Plate

1. Re-attach the mounting arm to the TV Wall Mount that is now attached to your TV. Tighten the mounting arm to the TV Wall Mount by turning the adjustment knob clockwise.
2. Slide the mounting arm down (with the TV Wall Mount and TV attached) into the Wall Plate on the wall (see Figure 8). You should hear a 'click' sound indicating that the mounting arm is secure in position (do not release your grip on your TV until your mounting arm has securely attached to your Wall Plate).

If you need to remove the TV Wall Mount (with TV attached), push back the plastic tab (located at the top of the back of the Wall Plate) and slide the mounting arm up out of the Wall Plate.

Tighten the screw located on the bottom of the TV Wall Plate using the S3 allen key (F) (see Figure 9).

3. You can now move your TV side to side at 180°. To tilt your TV up or down by 15°/-15°, slowly loosen the adjustment knob (ensuring you keep a good grip of your TV) and adjust your TV to the desired angle. Once in position, tighten the adjustment knob securely by turning it clockwise (see Figure 10).

Other viewing angles can be made by simply moving the arm side to side and locked into place by tightening the bolts located on the top of the mounting arm using the S4 allen key (G) (see Figure 11).

Check your TV Wall Mount is secure and safe to use at regular intervals (at least every three months).

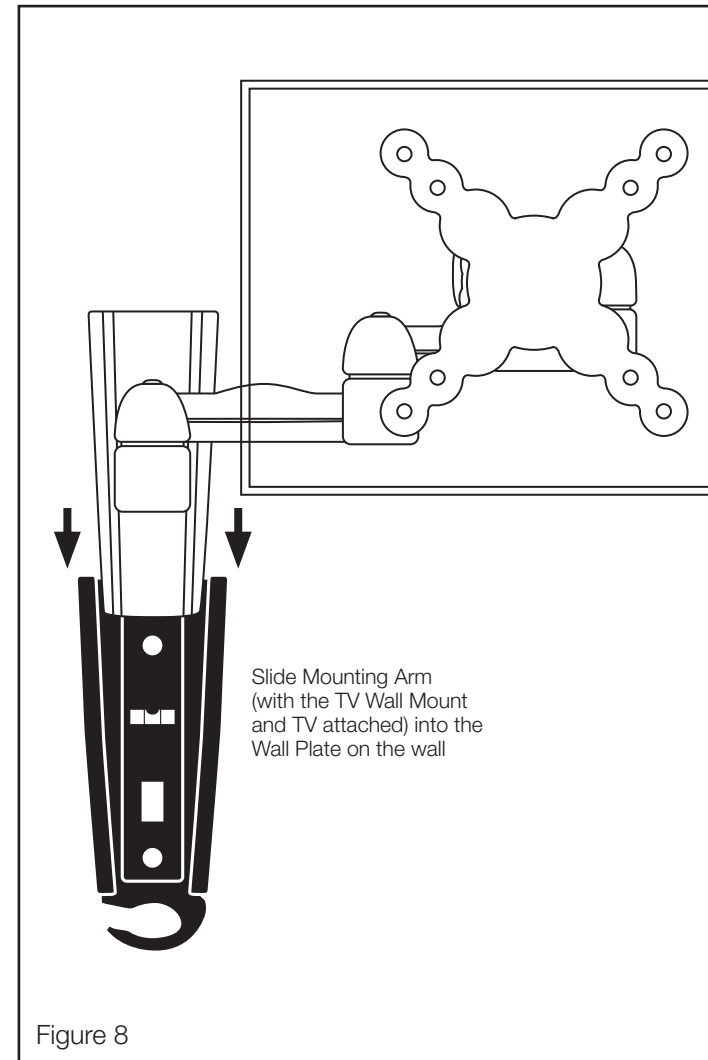


Figure 8

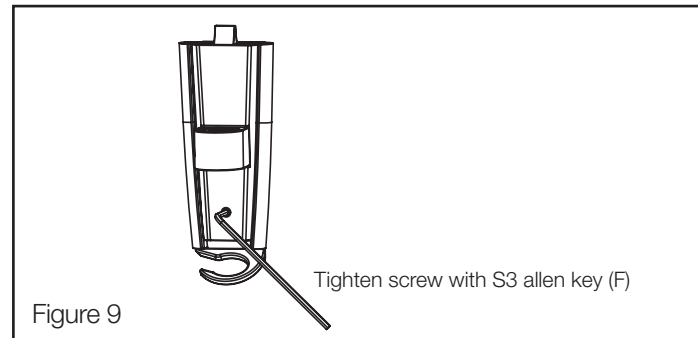


Figure 9

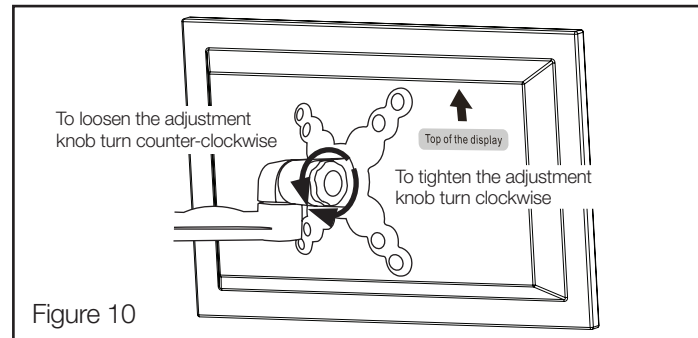


Figure 10

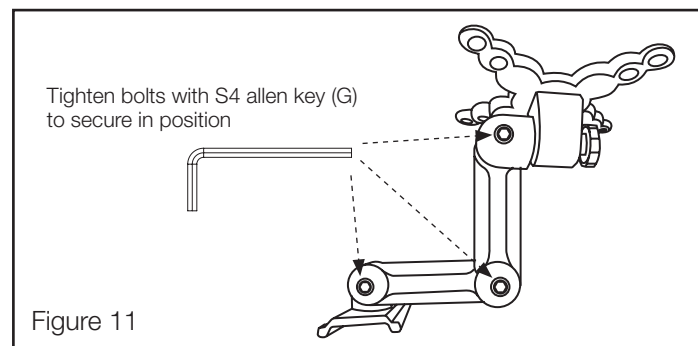


Figure 11

5 YEAR WARRANTY

Olbertz Holdings Pty Ltd ACN 010 003 933 trading as The Crest Company of 165 South Pine Road, Brendale, Queensland, 4500, Ph: 1800 812 261, www.crest.com.au, warrants that if this Crest product purchased by you from The Crest Company or a retail outlet is found by The Crest Company to be defective in workmanship or materials within 5 years of the date of purchase, The Crest Company will (at its election) either repair that product, replace the product, supply an equivalent product or pay the costs of repairing or replacing the product or acquiring an equivalent product.

This limited warranty will not extend to or cover any expenses associated with removing, demounting the original product or installing the repaired, replaced or equivalent product or all or any of its components, you must bear these expenses. It also does not cover damage or loss resulting from intentional or unintentional misuse of, tampering with, alterations to or incorrect installation of this product or use of this product for purposes other than that for which it is designed or in a manner inconsistent with the product's instructions. This limited warranty also does not apply to damage or loss resulting from fair wear and tear or events beyond The Crest Company control including but not limited to natural disasters.

In order to claim under this warranty, you must contact The Crest Company and return to The Crest Company (via our nominated reply paid address) the product and its components and proof of purchase (including the date and location of purchase) so that The Crest Company can verify the defect and your purchase.

Our goods come with guarantees that cannot be excluded under the Australian Consumer Law. You are entitled to a replacement or refund for a major failure and compensation for any other reasonably foreseeable loss or damage. You are also entitled to have the goods repaired or replaced if the goods fail to be of acceptable quality and the failure does not amount to a major failure. The benefits given by this warranty are in addition to other rights and remedies which you may have under a law in relation to the goods or services to which the warranty relates.

Proudly brought to you by:

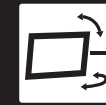


PO Box 5658 Brendale
QLD Australia 4500

Customer Support
1800 812 261
www.crest.com.au

AUSTRALIAN OWNED

BFP2FM TV Wall Mount



Full Motion

This TV Wall Mount allows you to move your TV at all angles and extends out up to 25cm from your wall



Compatible TV Size

This TV Wall Mount fits up to 32" (81cm) TV screens



Maximum Mounting Pattern

This TV Wall Mount has a mounting hole pattern up to 100x100mm (HxW)



Maximum TV Weight

This TV Wall Mount supports TVs weighing up to 18kg



Includes 2 x Wall Plates

2 Wall Plates included for mounting in 2 separate areas

SAFETY FIRST

1. Installation of this TV Wall Mount will be easier with two people.
2. Some images in this guide may vary slightly from the actual components supplied.
3. Ensure this instruction manual is completely read and understood before attempting installation.
4. This TV Wall Mount MUST NOT be installed solely in plasterboard, fibre cement and similar surfaces.
5. This TV Wall Mount MUST be installed in sound supporting structures such as those made of timber, steel or masonry using appropriate fasteners.
6. The supporting structure must be capable of sustaining the combined weight of the TV Wall Mount and the display otherwise the structure must be reinforced.
7. The fasteners supplied in this hardware pack allow for fixing into timber and masonry only. If installing into a supporting structure made of steel, appropriate fasteners must be used and sourced from an appropriate supplier.
8. Use appropriate tools and safety equipment and ensure adequate ventilation during installation.
9. If uncertain about any aspect of installation, contact The Crest Company or an installation professional.
10. Please retain these instructions for future reference.

Hardware Kit Contents

ITEM	DESCRIPTION	QTY	ITEM	DESCRIPTION	QTY
A	63mm Lag Bolt	4	E	Hole Spacer	4
B	Concrete Anchor	4	F	S3 Allen Key	1
C	M4 x 12mm Bolt	4	G	S4 Allen Key	1
D	M4 x 30mm Bolt	4			

Tools Required

DRYWALL INSTALLATION (TIMBER SUPPORTS):

- Adjustable spanner/socket set
- Philips head screwdriver
- Power drill
- High speed 3mm drill bit
- Stud finder
- Pencil

MASONRY INSTALLATION:

- Adjustable spanner/socket set
- Philips head screwdriver
- Power drill with hammer function
- 8mm masonry drill bit
- Pencil
- Hammer

crest

Step 1: Attach Wall Plate(s) to Wall(s)

A. INSTALLING IN DRYWALL (TIMBER SUPPORTS)

1. Locate the centre of timber using a stud finder.
(NOTE: You must use the centre of the stud to avoid cracking or splitting the timber during installation).
2. Mark 2 fixing holes over stud centres 87mm apart using the Wall Plate as a guide (see Figure 1).
Ensure plate is level using the built-in spirit level.
3. Pre-drill holes to a depth of 40mm using a high speed 3mm drill bit. If installing in hardwood, larger diameter and deeper holes may be required (see Figure 1).
4. Insert lag bolts (A) through the 2 holes on the Wall Plate (see Figure 2). Do not over tighten.
You can mount the 2 Wall Plates included in 2 separate areas.

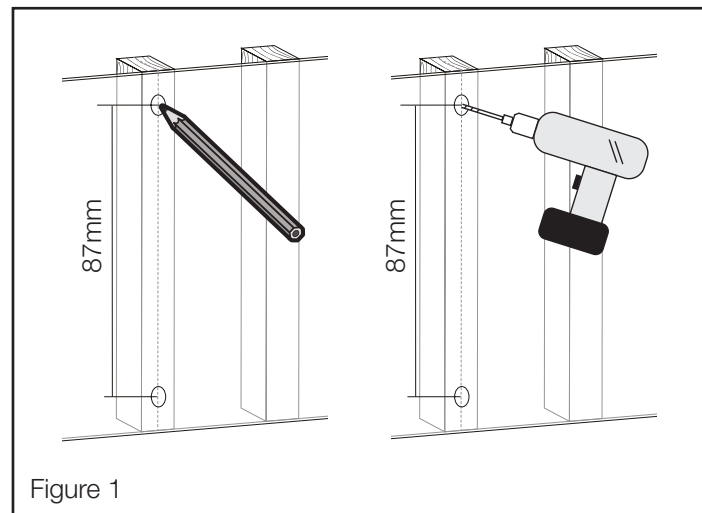


Figure 1

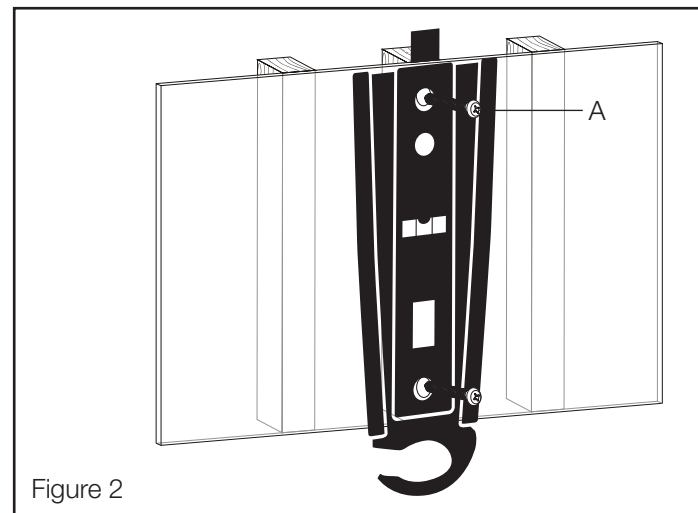


Figure 2

B. INSTALLING IN MASONRY

1. Mark 2 fixing holes 87mm apart using the Wall Plate as a guide. Ensure plate is level using the built-in spirit level.
2. Pre-drill holes to a minimum depth of 40mm using an 8mm masonry drill bit. Clean out holes.
3. Fully insert the concrete anchors (B) (see Figure 3) into the drill holes. Tap in with hammer if required.
4. Insert lag bolts (A) through the 2 holes on the Wall Plate and into the concrete anchors (B) in the wall (see Figure 4).
Do not over tighten. You can mount the 2 Wall Plates included in 2 separate areas.

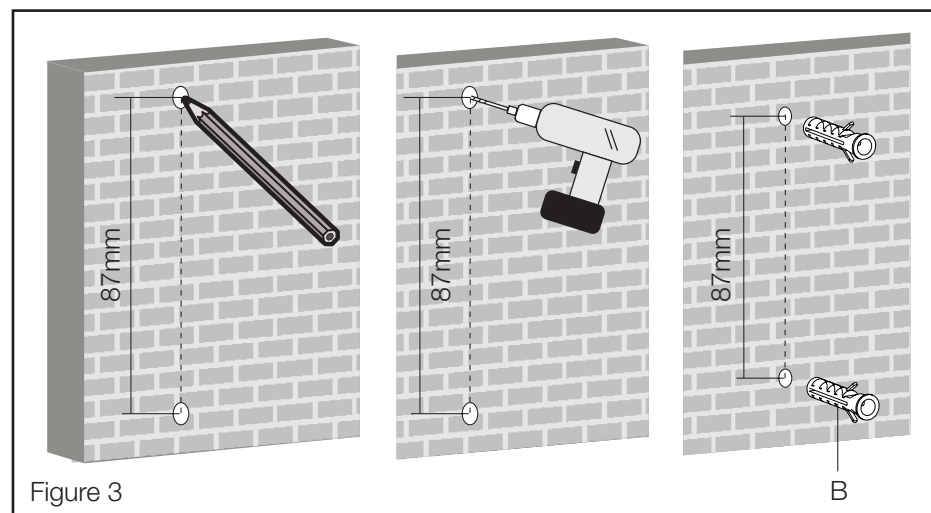


Figure 3

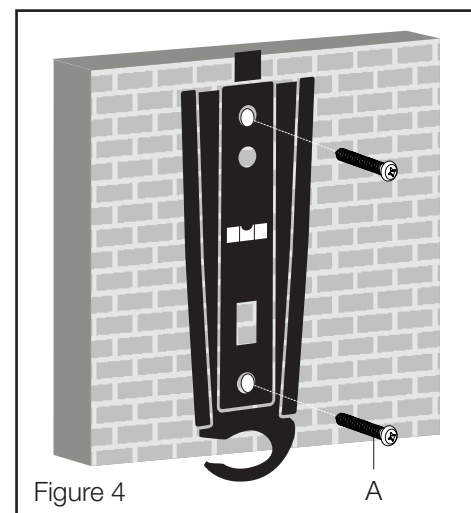


Figure 4

Step 2: Detach Mounting Arm from TV Wall Mount

1. Detach the mounting arm from the TV Wall Mount by turning the adjustment knob (located at the back of the TV Wall Mount) counter-clockwise (see Figure 5).

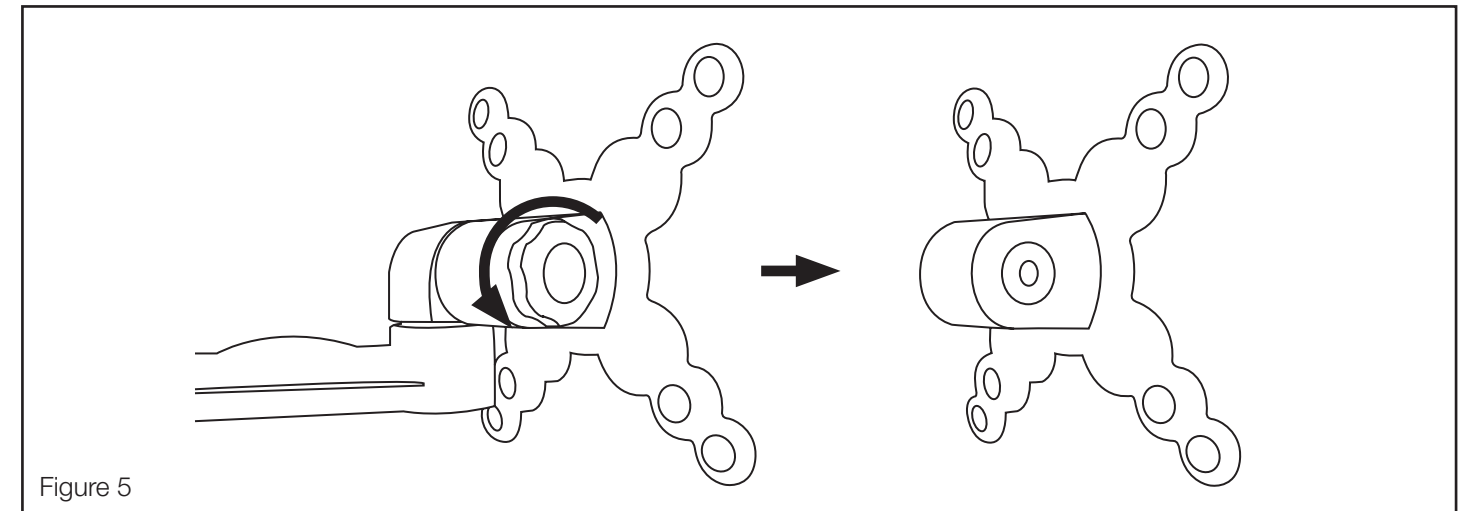


Figure 5

Step 3: Attach TV Wall Mount to TV

1. Using a second person for assistance, lay your TV face down on something soft so as not to scratch the TV screen.
2. Check the back of your TV to find the appropriate mounting pattern.
3. Sort through the provided bolts (C to D) until you find the correct size that easily fits into the back of your TV and fits snugly (the bolt must turn at least 3 full turns, do not tighten). If you feel resistance stop immediately and select a smaller bolt.
The Crest Company is not responsible for any damage caused by screwing the bolt too far into the back of the TV.
If no bolts fit, you will need to go to your local hardware supplier to find the correct bolt sizes.
4. Once the bolts have been identified, gently put your TV Wall Mount on the back of the TV so that the mounting holes are showing the TV Wall Mount. Insert the bolts through the TV Wall Mount and mounting pattern holes of the TV (see Figure 6).
To avoid damaging TV, do not overtighten bolts.
If the back of your TV is curved or recessed you will need to use a hole spacer (E) to clear the space (see Figure 7). If using spacers you will now need to use longer screws. Remember that the bolt needs to turn at least 3 full turns.

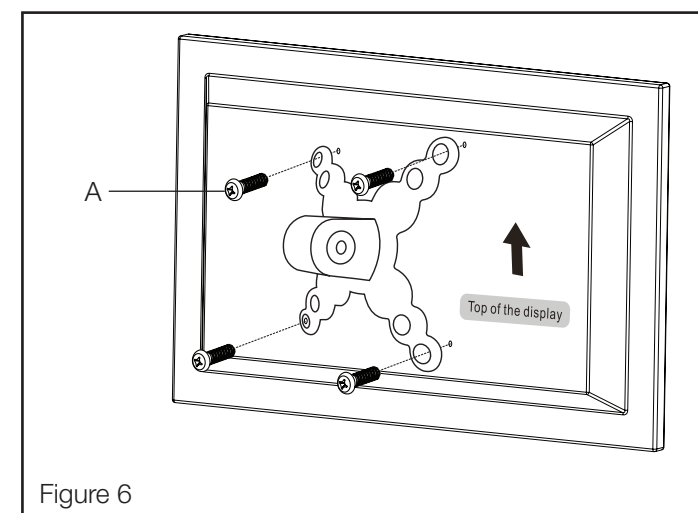


Figure 6

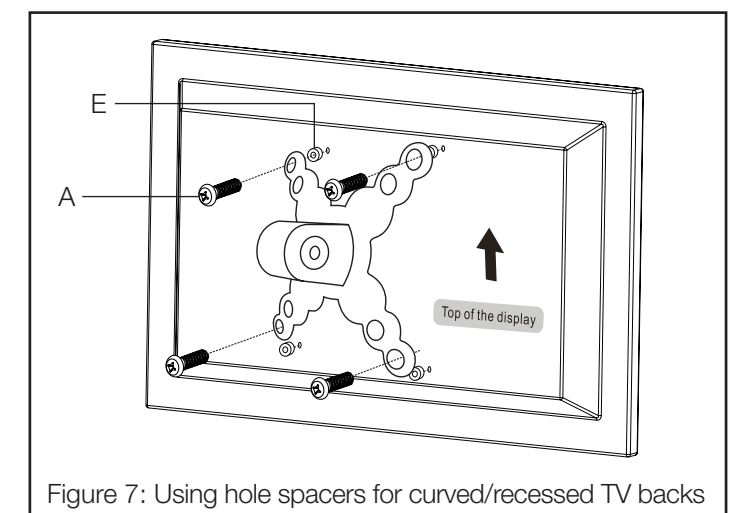


Figure 7: Using hole spacers for curved/recessed TV backs