

RIDGI D-I-Y INSTALLATION GUIDE

STEP 1: DESIGN YOUR RIDGI

- Measure out and sketch your RIDGI using our Planning Sheet.
- Count the number and kinds of posts you need and decide on the finish of your concrete sleepers.

STEP 2: PREP YOUR SITE

- Clear and level your site, ensuring you leave 200mm clear behind the retaining wall area for backfill.
- Hammer steel pegs or star pickets where your RIDGI will start and end.
- Run string lines between the pegs, top and bottom. Be sure the top string line shows the top height and the bottom string line shows the bottom height of your RIDGI. Use a spirit level to make sure everything is level.
- Start from one end and mark a cross on the ground at 1520mm intervals (this is where your post holes will go). It is recommended, when using the RIDGI fence bracket system, to allow an extra 20mm to 30mm to make room for the nuts and bolts.
- If you're installing RIDGI fence brackets, mark and drill your mounting holes for your bolts on the RIDGI steel posts now.

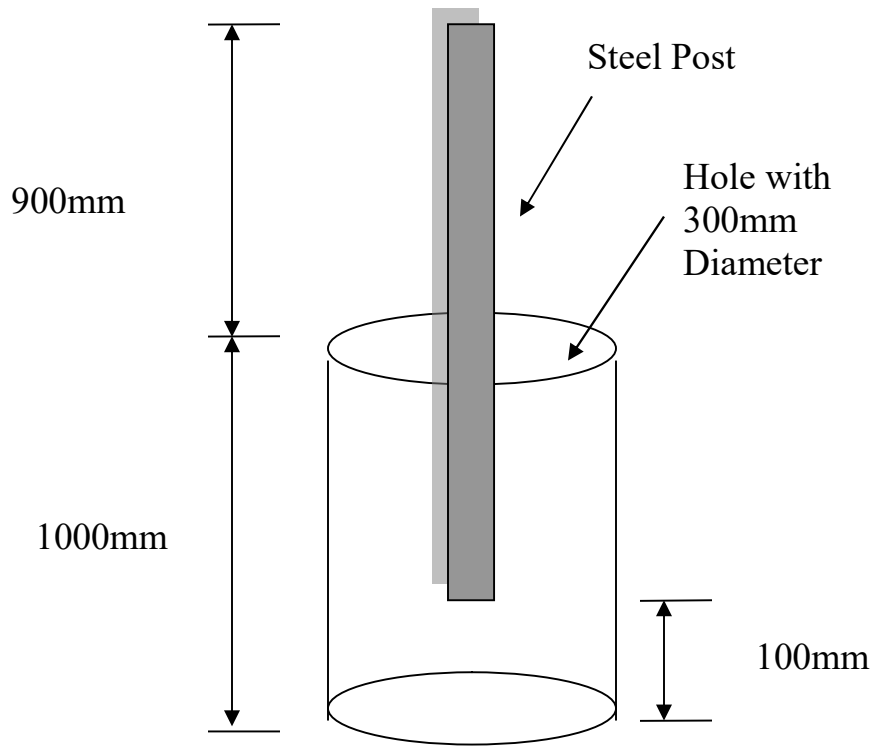
STEP 3: DIG YOUR HOLES

- At the marked spots, dig or auger your holes with a 300mm diameter. Remember – as a general rule, your holes have to be as deep as your RIDGI is tall plus 100mm to make sure it is strong!

STEP 4: SET THE POSTS

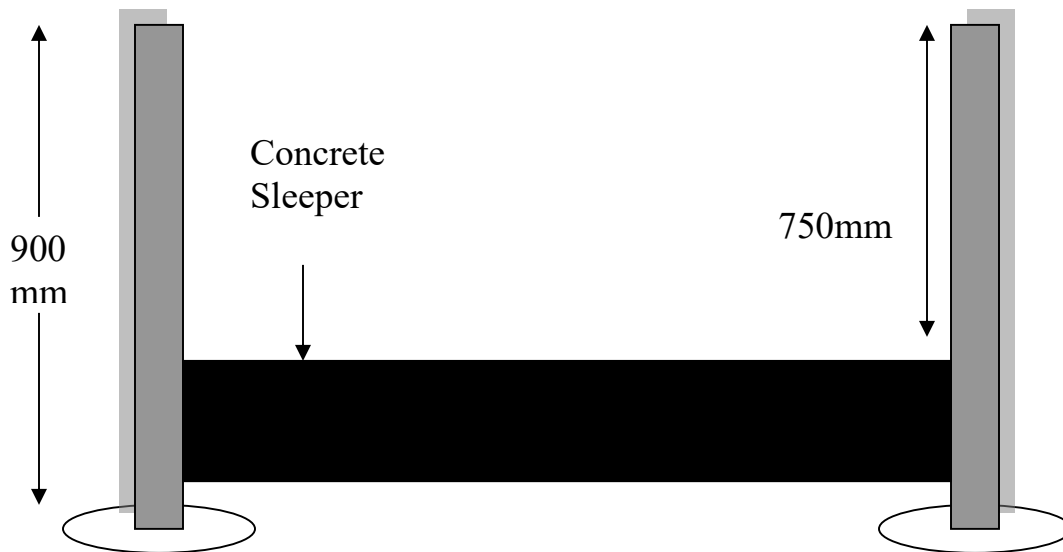
- Work with one hole at a time.
- Fill the hole with quick setting concrete and lower your RIDGI steel post into it, ensuring it is straight and level with the top string line.

- If your ground is not level, consider building up your concrete footing in line with the bottom string line ensuring the RIDGI concrete sleepers sit level and stack evenly.
- Set corner posts first and recheck post intervals before setting ender and joiner steel posts.



STEP 5: INSERT YOUR SLEEPERS

- Allow the post hole concrete to cure for 2 days before attaching your RIDGI fencing brackets and sliding your RIDGI concrete sleepers into place.
- It is important to measure the remaining distance between the top of your first sleeper and the top of your steel posts, to make sure there is room to get all your sleepers in and to have them finish flush with the top of your posts. Ensure the bottom sleeper is level by placing a level on top of the sleeper. Once you are happy with the placement of the first sleeper, you can begin adding the remaining sleepers.



STEP 6: AGPIPE AND BACKFILL

- Place 65mm ag pipe at the base of the back of the wall, then backfill with 20mm drainage gravel to 200mm from the top of the wall.
- Fill to the top with a clay soil plug.

