

ROOF AREA:
3000mm X 900mm

BASE AREA:
3000mm X 780mm

FRONT WALL HEIGHT: 1805mm

REAR WALL HEIGHT: 1950mm

DOOR OPENING:
1440mm WIDE
1740mm HIGH



Quality
ISO 9001



We thank you for choosing an Australian Made Shed.

At GARDENPRO we want to hear what you think about our products and instructions. We love feedback!. Please contact us at feedback@gardenpro.com.au.



TOOLS REQUIRED



OPTIONAL



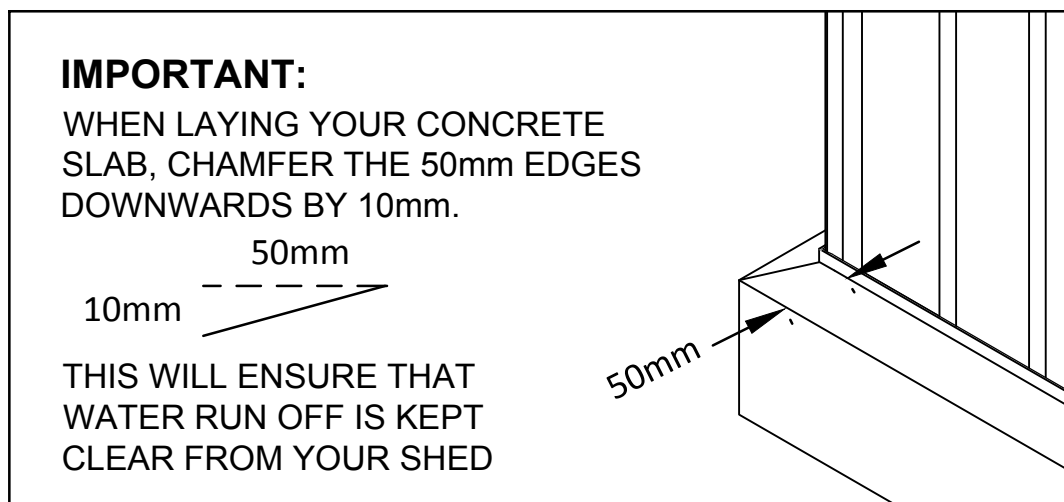
OPTIONAL

GENERAL INSTRUCTIONS

- Before commencing any assembly, read through these instructions in detail to gain a thorough understanding of assembly methods and associated details.
- Unpack the carton and carefully identify and check off all the parts against the parts described and illustrated on pages three and four.

SITE PREPARATION

- The site for the shed must be level.
- It is recommended that the shed be set on a 100mm concrete slab and anchored down appropriately (refer FINAL CONSTRUCTION page for details).
- Anchor sets are supplied as standard items with this product.

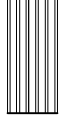
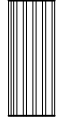
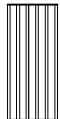
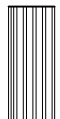
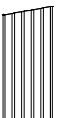
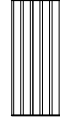
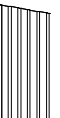
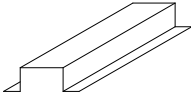


A NOTE ON SAFETY

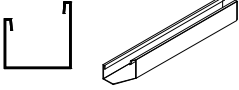
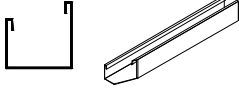
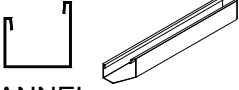
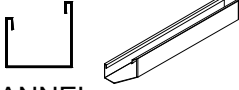
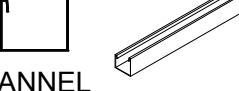
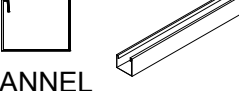
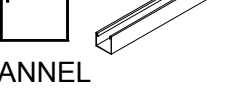
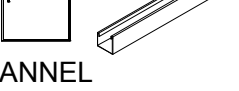
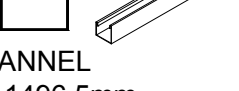
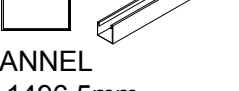
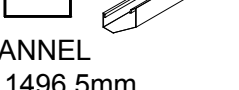
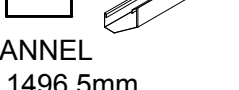
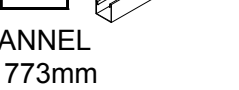

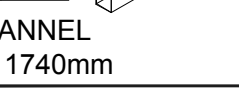
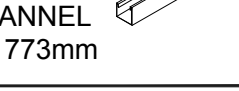

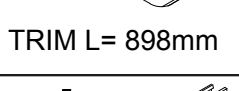
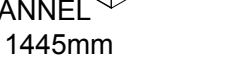

- Some parts may have sharp edges. It is advisable to wear gloves when handling these items and safety glasses if drilling holes. Sensible shoes are highly recommended.
- Do not erect your shed in windy conditions, ensure that the shed is securely anchored to a solid foundation immediately after construction is completed.
- It is highly recommended to erect the shed with two or more people.



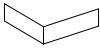





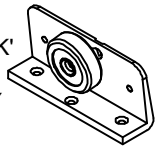
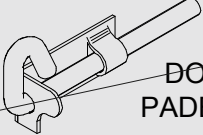
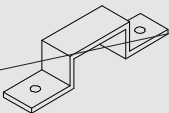

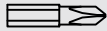


COMPONENTS PACKING LIST - CHECK OFF ALL COMPONENTS

QTY	COMPONENT DESCRIPTION	PART No.	CHECK	QTY	COMPONENT DESCRIPTION	PART No.	CHECK
2	 STEEL SHEET 1915 X 773mm	43B		4	 STEEL SHEET 898mm X 773mm	43G	
2	 STEEL SHEET 1915 X 773mm	43C		2	 STEEL SHEET 1785mm X 773mm	30D	
1	 STEEL SHEET 1915mm X 773mm	X4L		2	 STEEL SHEET 1740mm X 773mm	43F	
1	 STEEL SHEET 1915mm X 773mm	X4R		2	 HAT= 1496.5mm	95GS	
1	30082ECP CHANNEL SET (SEE PAGE 4)			1	INSTRUCTIONS & FITTINGS PACKET (SEE PAGE 5)		

COMPONENTS PACKING LIST - (CONT.) CHECK OFF ALL COMPONENTS

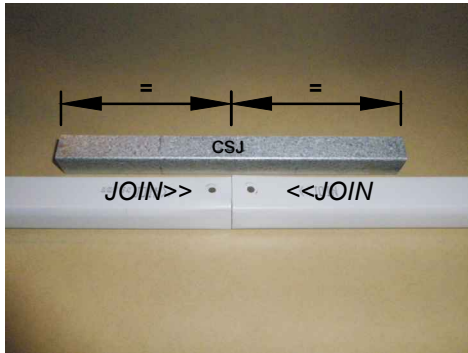
QTY	COMPONENT DESCRIPTION	PART No.	CHECK	QTY	COMPONENT DESCRIPTION	PART No.	CHECK
1	 CHANNEL L = 1496.5mm	55BL		1	 CHANNEL L = 1496.5mm	55BR	
1	 CHANNEL L = 1496.5mm	55FL		1	 CHANNEL L = 1496.5mm	55FR	
1	 CHANNEL L = 1496.5mm	55GL		1	 CHANNEL L = 1496.5mm	55GR	
1	 CHANNEL L = 1496.5mm	55HL		1	 CHANNEL L = 1496.5mm	55HR	
2	 CHANNEL L = 1496.5mm	81AL		2	 CHANNEL L = 1496.5mm	81AR	
1	 CHANNEL L = 1496.5mm	81BL		1	 CHANNEL L = 1496.5mm	81BR	
4	 CHANNEL L = 773mm	58C		2	 CHANNEL L = 1785mm	80C	
4	 CHANNEL L = 1740mm	58L		2	 CHANNEL L = 773mm	81J	
2	 CHANNEL L = 786mm	61B		2	 LIP TRIM L = 898mm	88K	
2	 CHANNEL L = 1445mm	79D		1	 CHANNEL L = 393mm	13A	

COMPONENTS PACKING LIST - (CONT.) CHECK OFF ALL COMPONENTS

INSTRUCTIONS & FITTINGS PACKET							
1	ASSEMBLY INSTRUCTIONS			1	SINGLE DOOR FITTINGS PACK		PSTKSGL
2		150 X 150 CORNER ANGLE DOOR TRACK BRACKETS	BKT260	2	PRESTIGE "C" DOOR HANDLES 	FAST048	
1	3m ROLL OF SELF ADHESIVE BRUSH SEAL		OTCO23	4	4mm X 25mm PAN HEAD SCREW (USE IN DOOR HANDLES) 	FAST047	
2	40x25 ANGLE DOOR STOP 		FAST053	100	3mm POP RIVETS 	FAST009	
7		CHANNEL JOINER L= 200mm (7.9'')	CSJ	4	'ROLLTRACK' WHEEL ASSEMBLY 	OTCO22	
PSTKSGL - SINGLE DOOR FITTINGS PACK							
1		DOOR PADBOLT	FAST006	1	DOOR PADBOLT HASP 	FAST007	
1	3mm DRILL BIT 		DRILL	1	PHILLIPS DRIVER BIT 	FAST038	
1	SELF TAPPING SCREWS PACKET CONTAINING 220			1	PACK 6P SCREW PACK 6		
PACK 6P - SCREW PACK 6							
6		3/16 COUNTERSUNK SCREWS & NUTS		6	3.2 x 8mm BLIND POP RIVETS 		

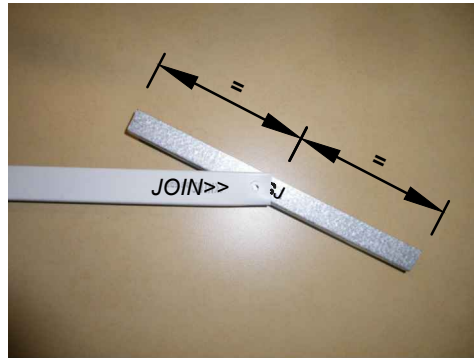
INSTRUCTIONS FOR JOINING SPLICED CHANNELS

NOTE: THE TEXT MARKED ON ALL PARTS MUST BE SHOWN ON THE SAME SIDE AS EACH OTHER.



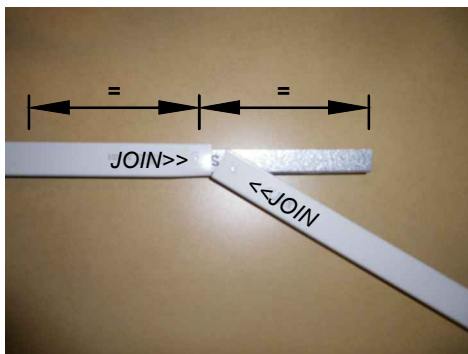
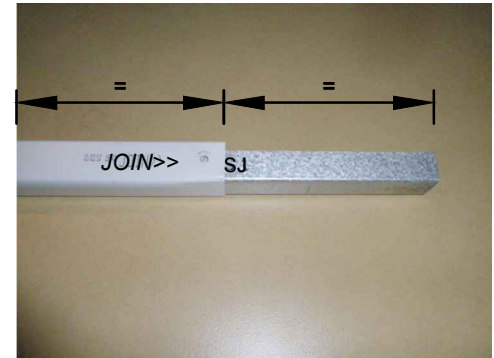
STEP 1.

Position the channels and the CSJ so the center of the CSJ is in line with the end of each channel to be joined together.



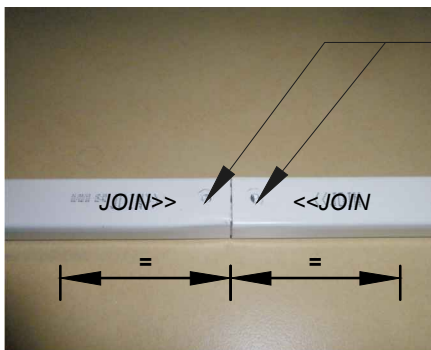
STEP 2.

Join the first channel to the CSJ by inserting the center of the CSJ (on an angle) to the end of the channel where the JOIN>> text is marked. Push down one side of the CSJ until you hear a 'click'.



STEP 3.

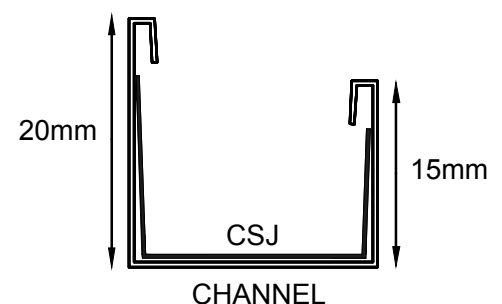
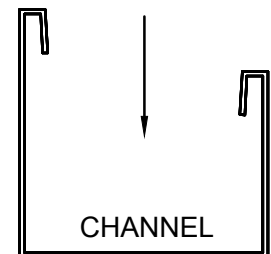
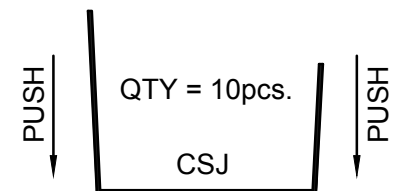
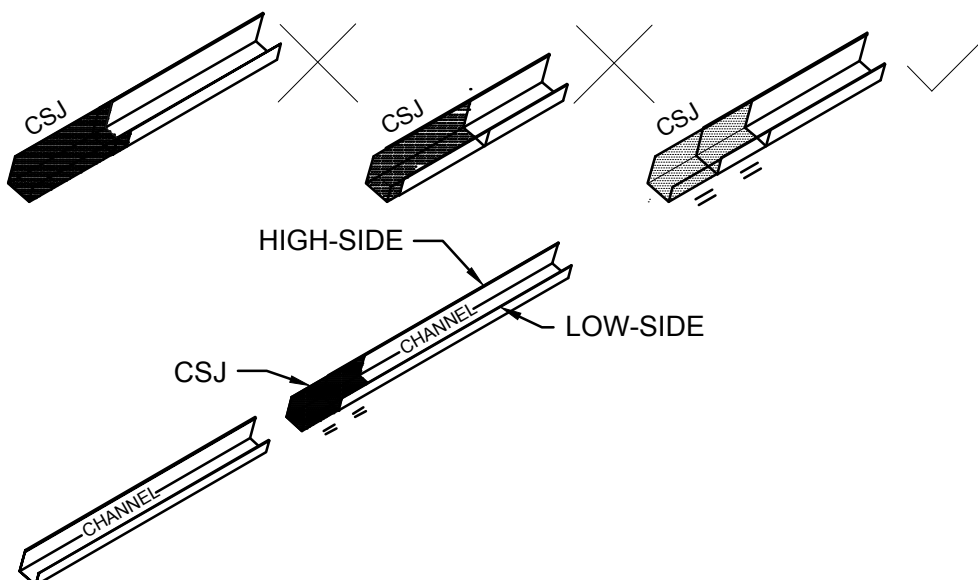
Join the second channel to the CSJ by positioning the <<JOIN end of the channel at the center of the CSJ (on an angle). Push the CSJ into the channel until you here a 'click'.



DRILL 4mm x 3mm (2 PER A SIDE) HOLES TO SECURE SECTIONS TOGETHER. (THESE SCREWS MAY HAVE TO BE TEMPORARILY REMOVED AND REPLACED DURING LATER ASSEMBLY)

FINISHED CHANNEL

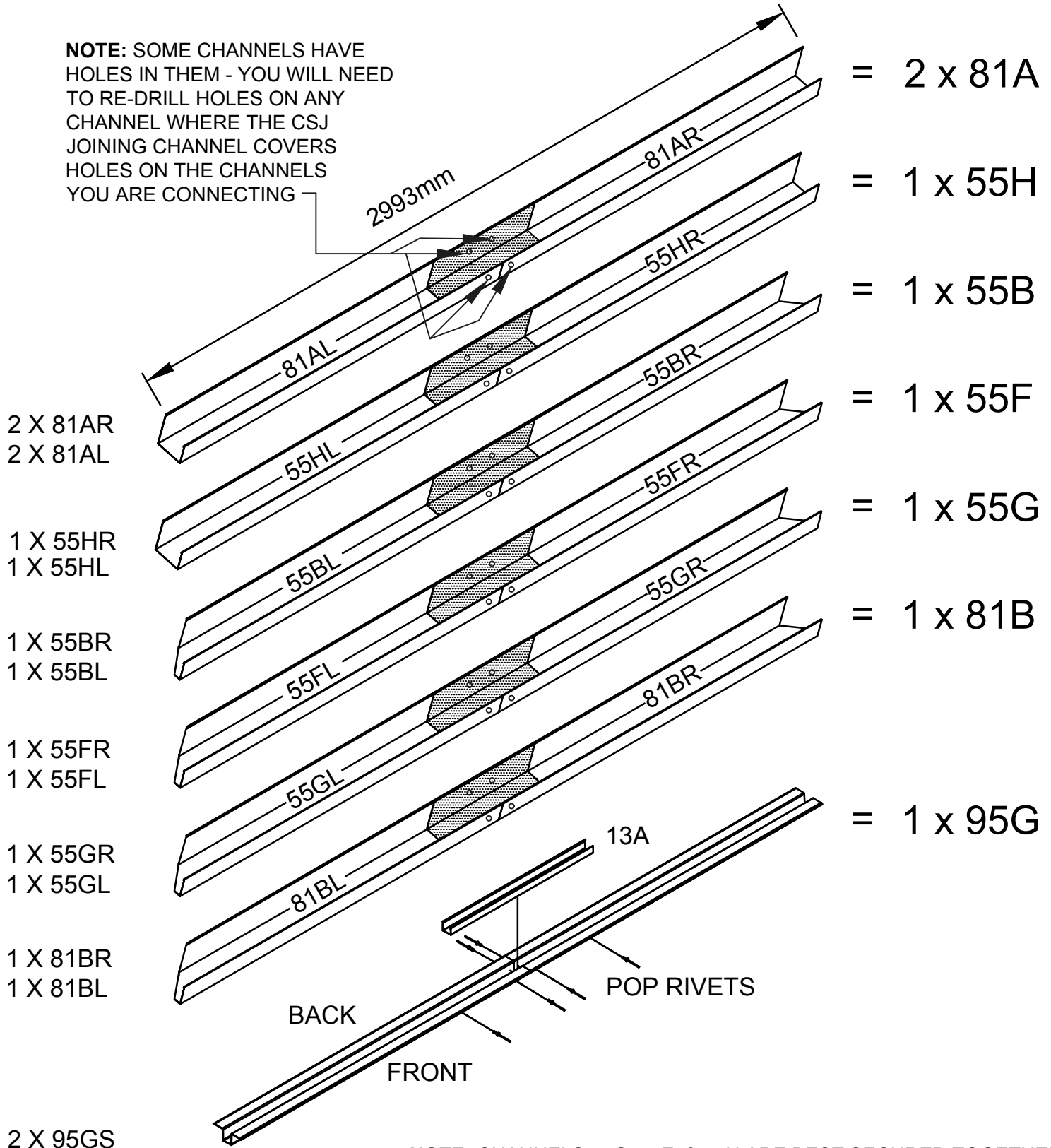
The joined channels should now look like the picture above with the CSJ positioned equally inside of the joined channels.



STEP 1. PRE-ASSEMBLY OF SPLICED CHANNELS

NOTE: JOIN TOGETHER 14 X CHANNEL SECTIONS USING 7 X CHANNEL JOINERS (PART CSJ)

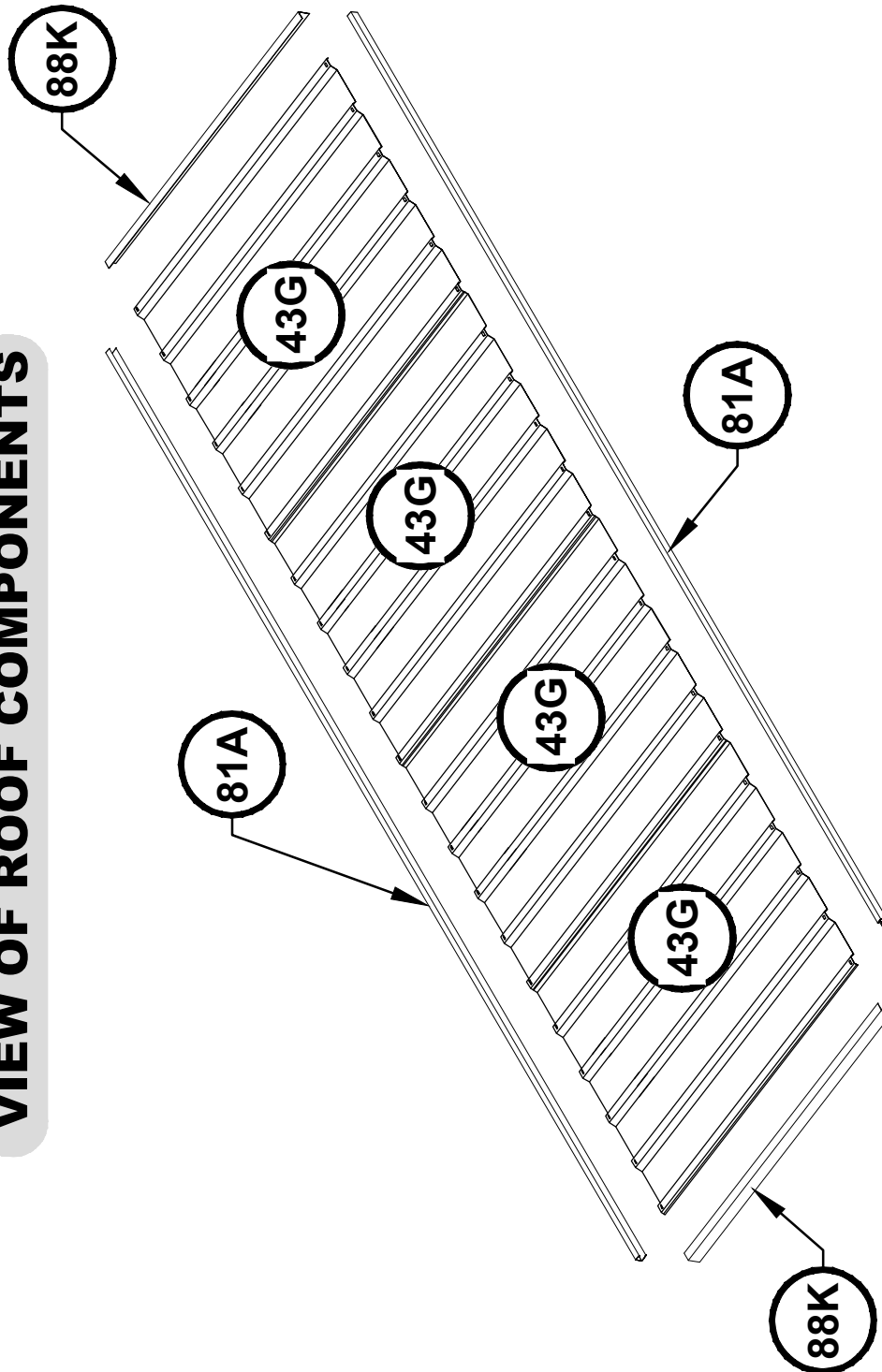
NOTE: SOME CHANNELS HAVE HOLES IN THEM - YOU WILL NEED TO RE-DRILL HOLES ON ANY CHANNEL WHERE THE CSJ JOINING CHANNEL COVERS HOLES ON THE CHANNELS YOU ARE CONNECTING

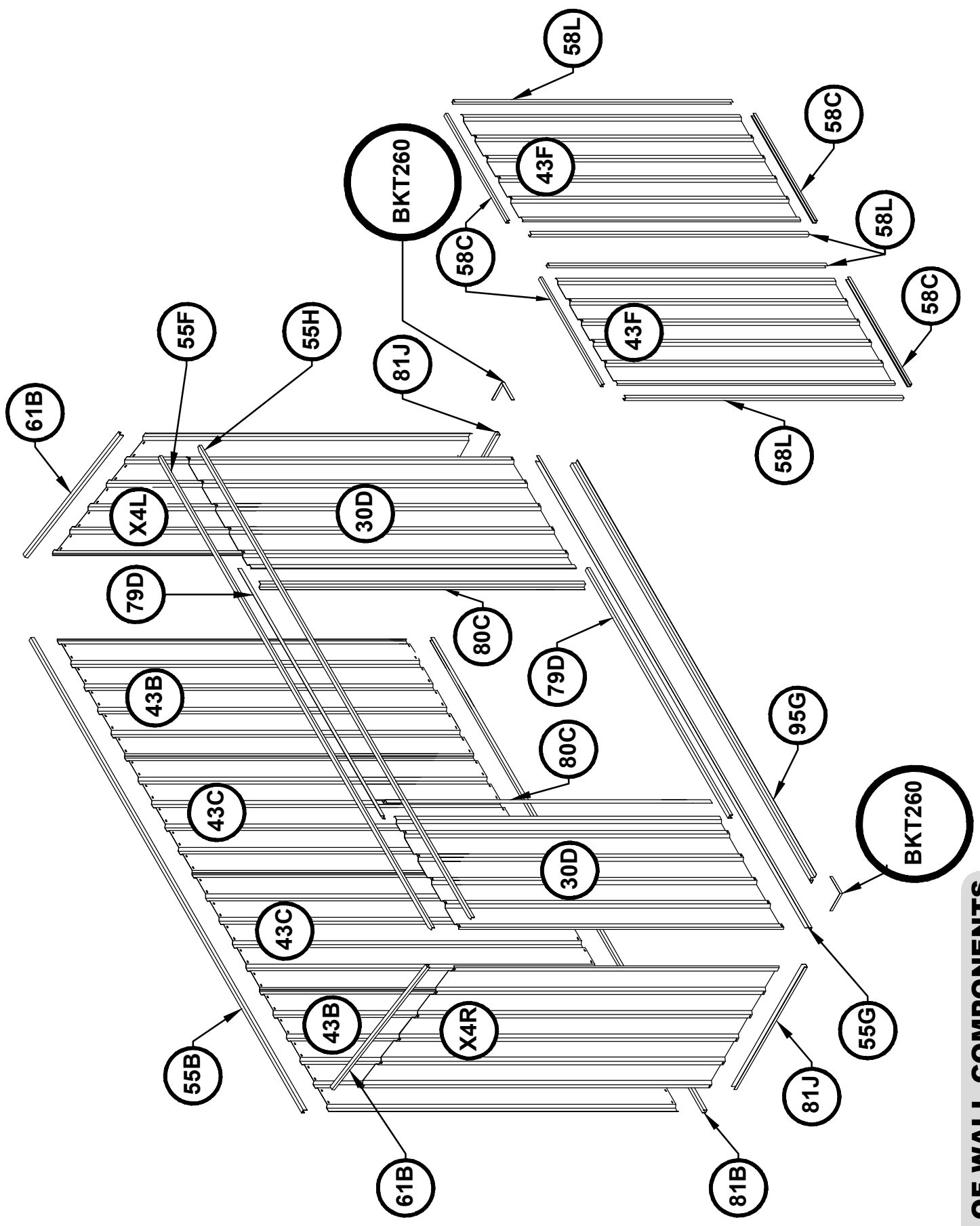


NOTE: CHANNELS 55G, 55F, & 55H ARE BEST SECURED TOGETHER USING POP RIVETS THROUGH THE 15mm HIGH (FRONT) EDGE.

THIS MINIMIZES INTERFERENCE WITH THE SLIDING DOORS

VIEW OF ROOF COMPONENTS



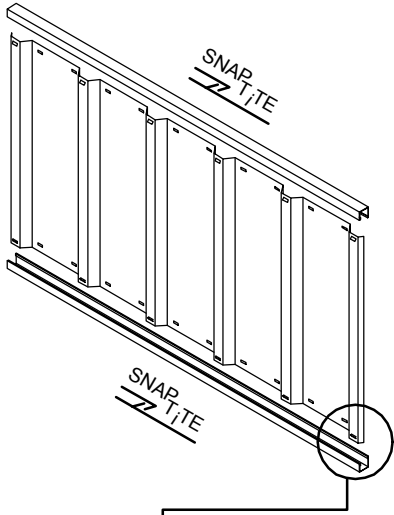


VIEW OF WALL COMPONENTS



ASSEMBLY INTRODUCTION

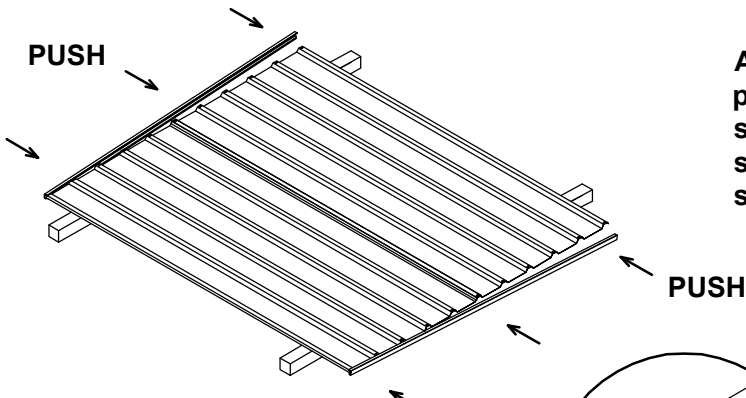
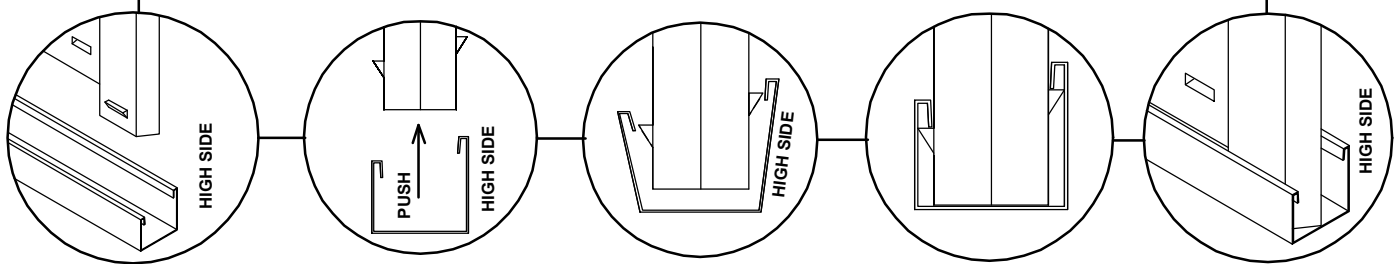
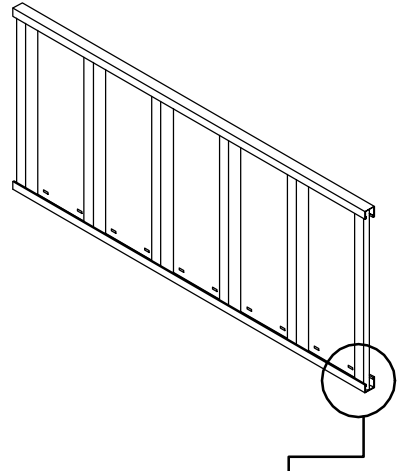
The snap-tite assembly system locks most perimeter channels to all roof and wall sheets without the need for tools and fasteners.



To pre-assemble the four wall panels and two roof panels, the perimeter channels are secured to the top and bottom of each panel using the snap-tite system, as detailed on the following pages wherever you see the symbol.



NOTE: The 'high side' is always on the inside of the shed.




After joining sheets together, position channel over one end of the sheets, gently tapping it over the snap-tite lugs, working along the sheets to the other end.

Position sheets on timbers, trestles or partly over edge of concrete slab.

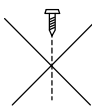
Each perimeter channel must finish flush with the edges of the sheets. the snap-tite system allows adjustment for this process by simply tapping the channel along the sheets until each end is neatly flush.

FASTENING SYMBOLS

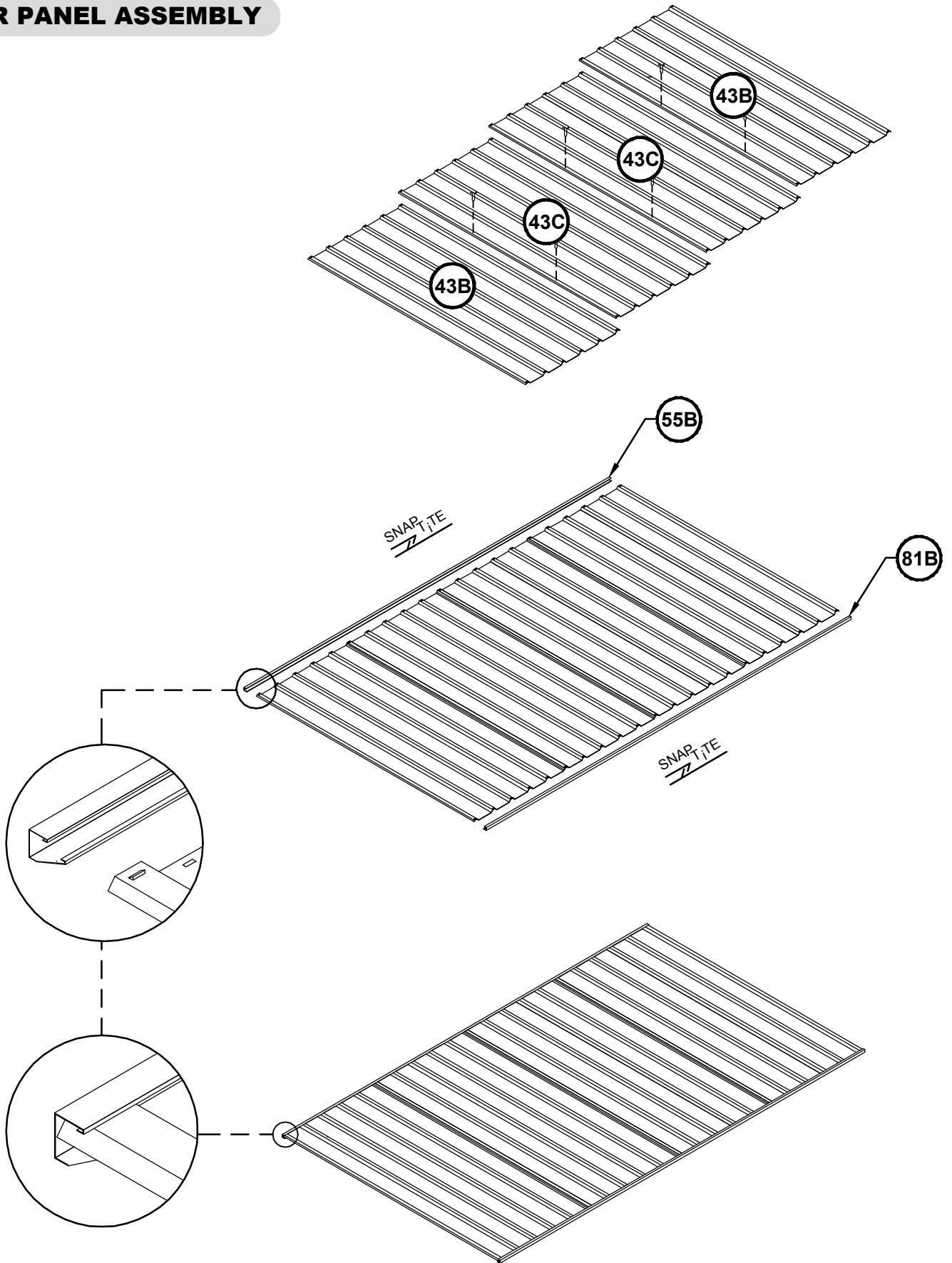
 Join components together with one screw at this location only, as some channel sections have extra holes that are not required for this model of garden shed

 3mm POP RIVETS

 4mm NUT & BOLT SET

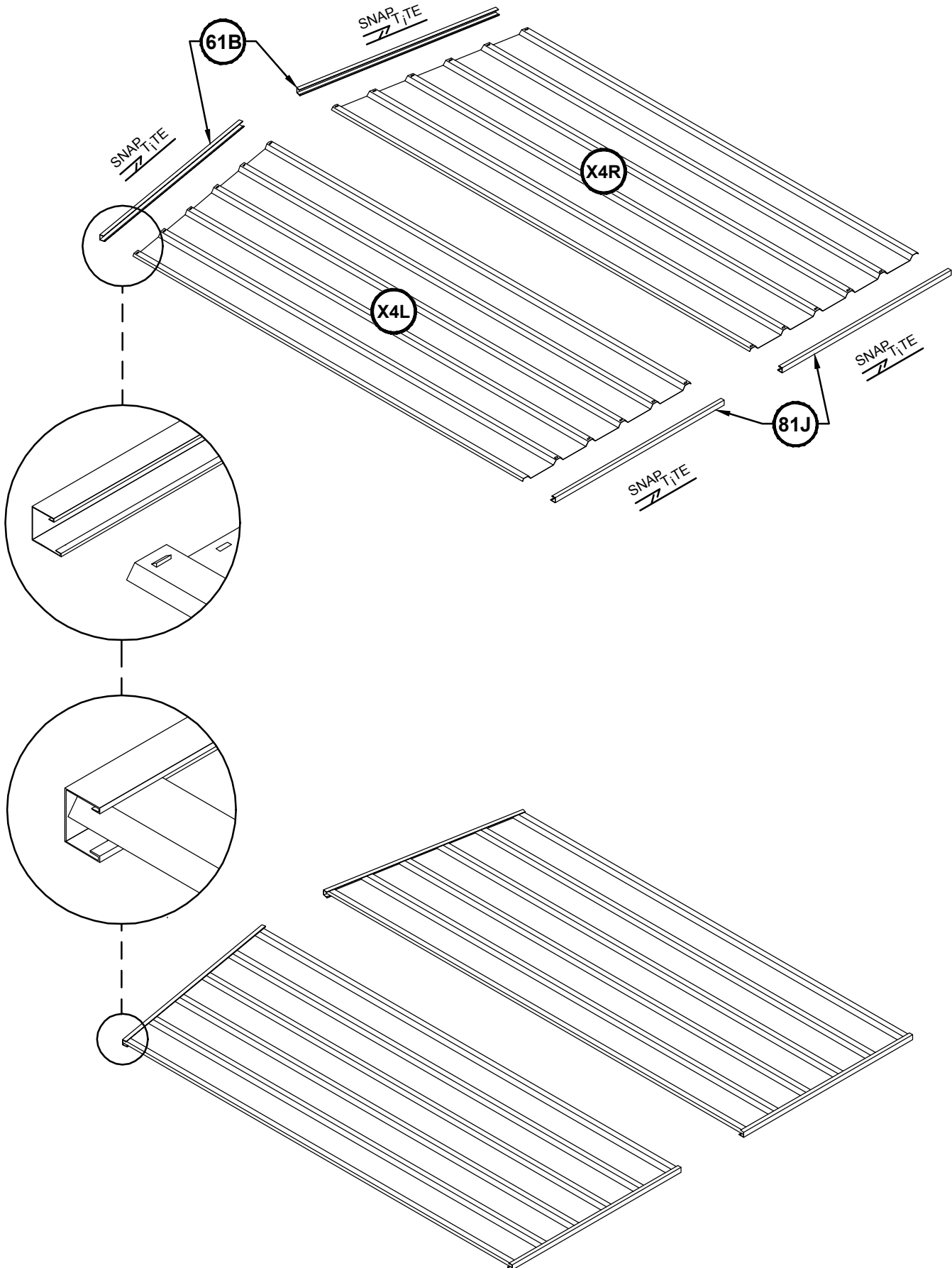
 Do not join components together at this location yet, as the screw may obstruct further assembly of other components

REAR PANEL ASSEMBLY

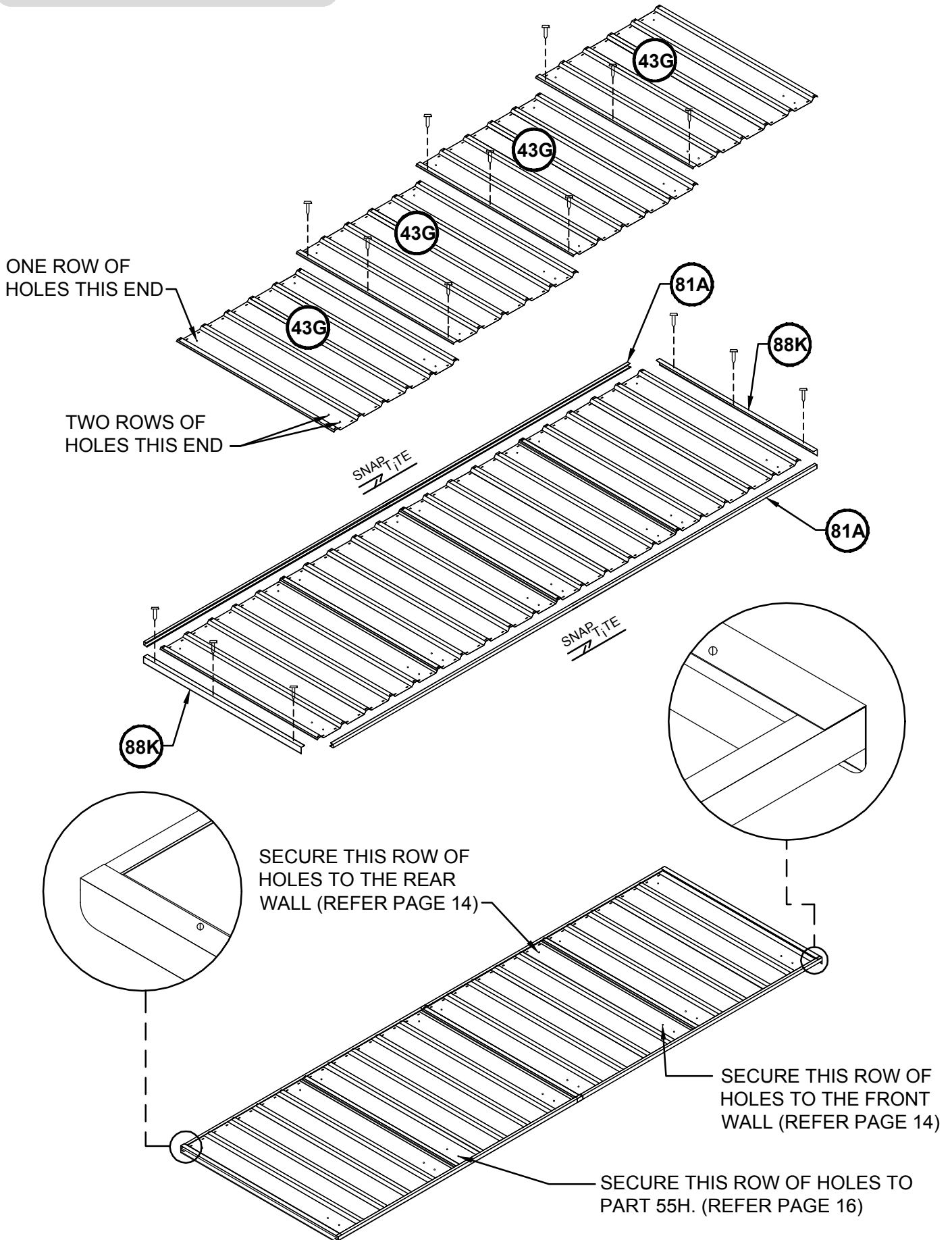


SIDE PANEL ASSEMBLY

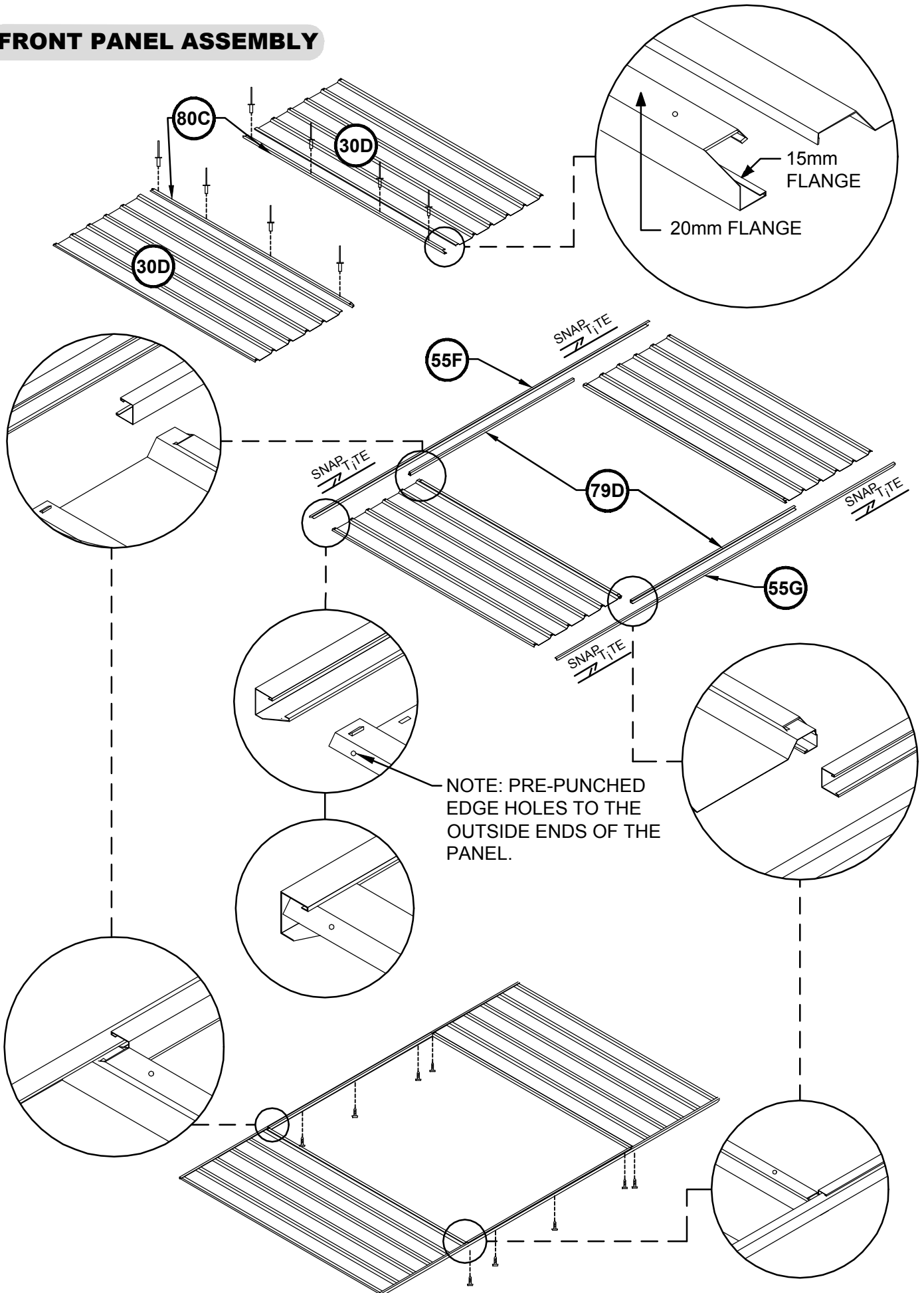
(TWO REQUIRED)



ROOF PANEL ASSEMBLY

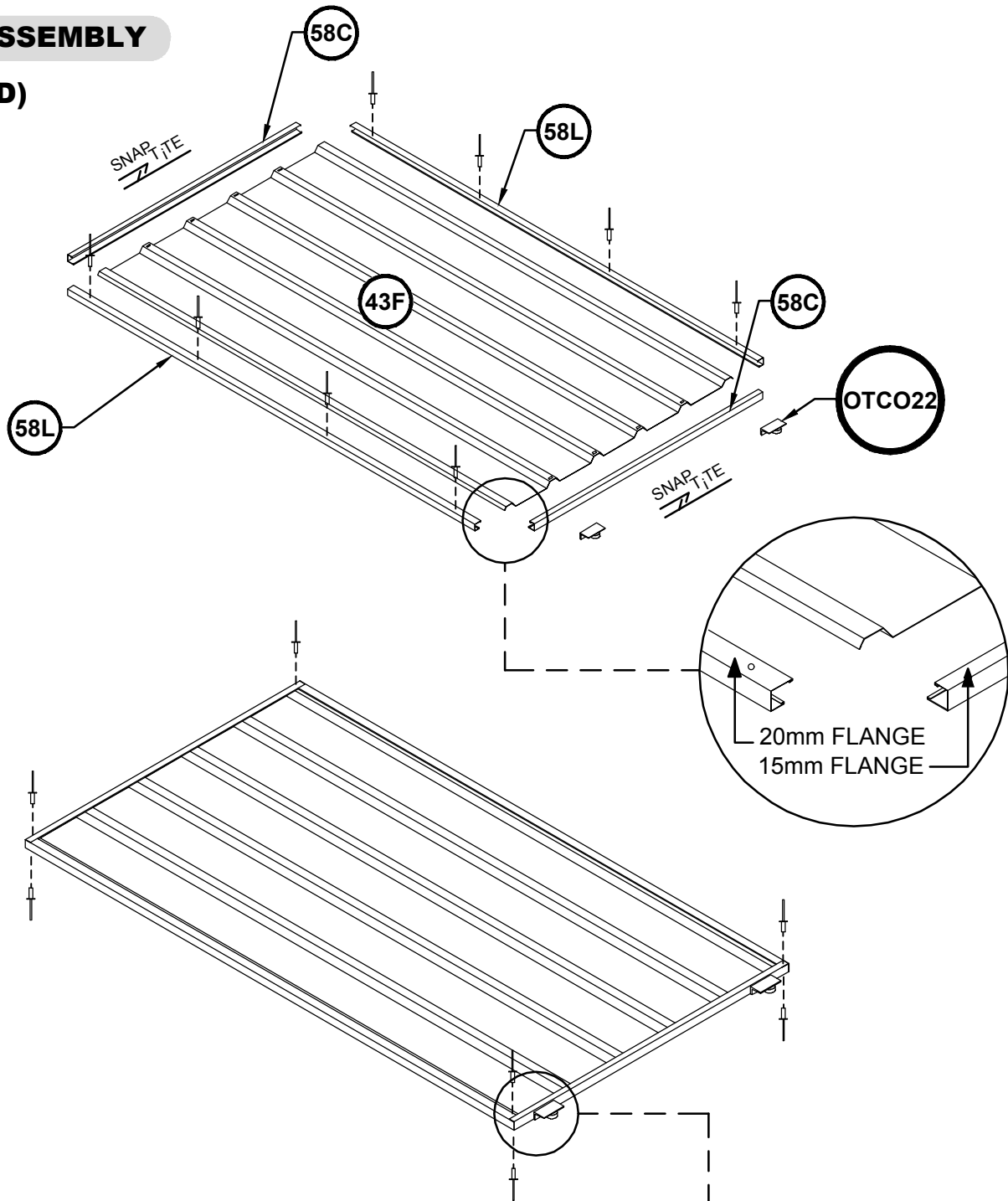


FRONT PANEL ASSEMBLY



DOOR PANEL ASSEMBLY

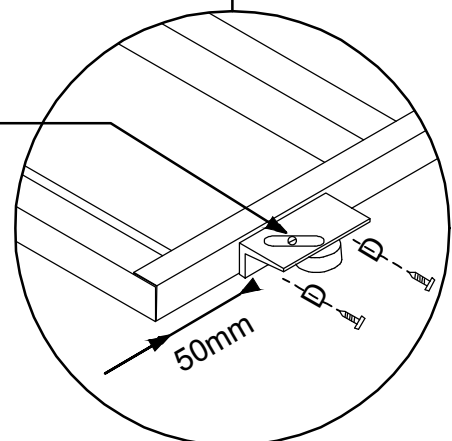
(TWO REQUIRED)



WHEEL ASSEMBLY HEIGHT ADJUSTMENT SCREW

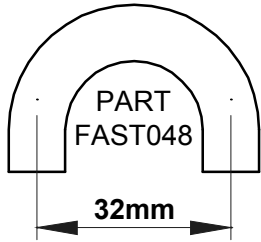
WHEN INSTALLING THE DOORS, USE THIS SCREW TO ADJUST THE HEIGHT, AND ALSO LEVEL THE DOORS SO THEY BUTT UP FLUSH TO EACH OTHER.

NOTE: THE LOCATING DISTANCE FOR THE ROLLER CARRIAGE OF 50mm NEEDS TO BE ACCURATE SO AS TO ACHIEVE THE DOOR STOPPING DISTANCE OF 97mm AS NOTED ON PAGE 19.



FIT DOOR HANDLES:

CHECK THAT THE HOLE CENTRE OF EACH DOOR HANDLE IS 32mm AS SHOWN. (SOME DOOR HANDLES MAY DIFFER)



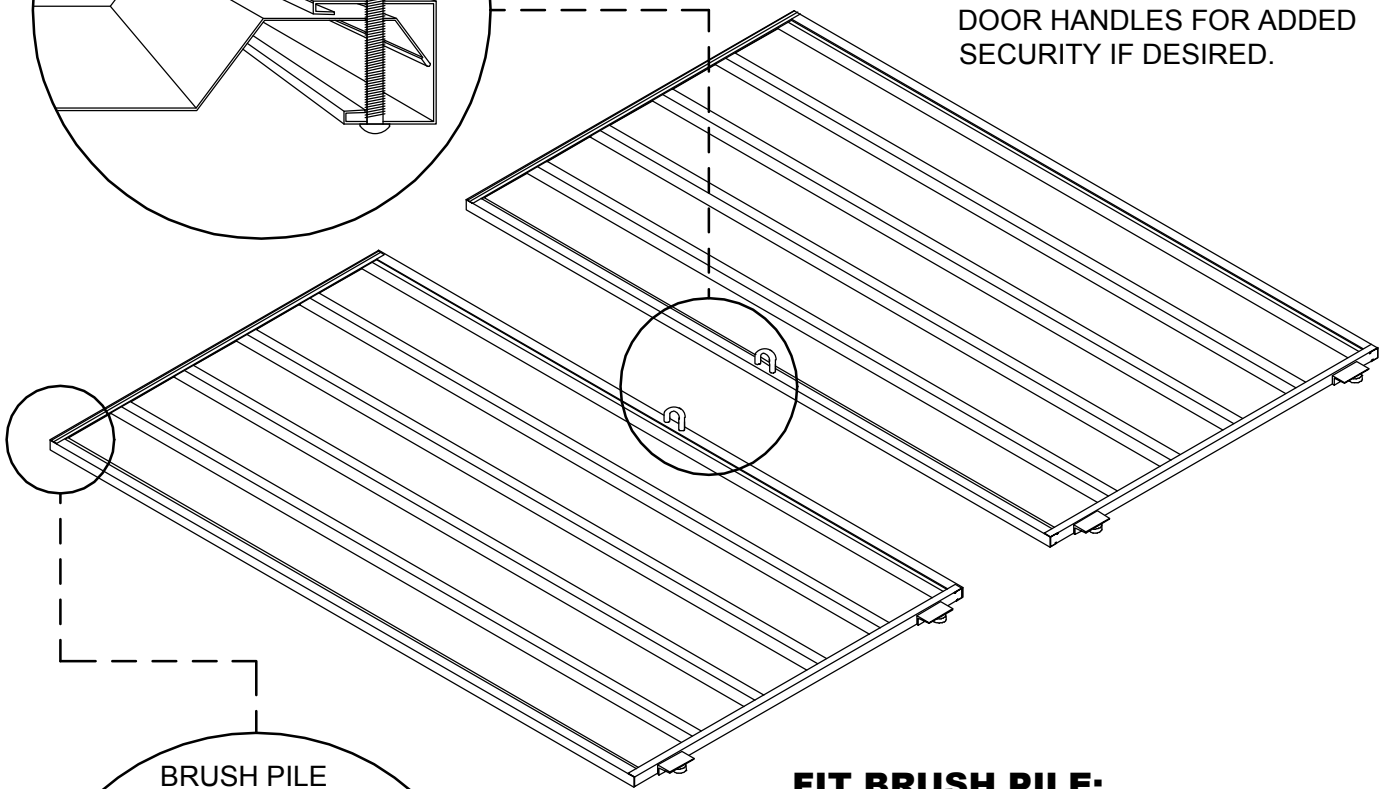
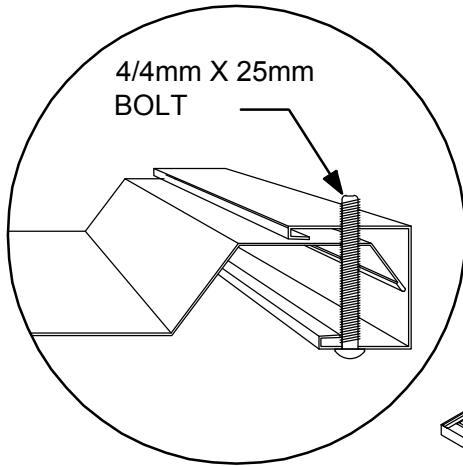
MARK OUT THE HOLE CENTRES HALF WAY UP EACH DOOR. IT IS IMPORTANT TO USE A GREAT DEAL OF ACCURACY WHEN MARKING AND DRILLING THESE HOLES.

ENSURE THAT YOU MATCH THE DOORS UP AS A PAIR WHEN FITTING THE HANDLES.

CAREFULLY DRILL 4mm OR 5/32" HOLES THROUGH BOTH SIDES OF THE CHANNEL AND SHEET AS SHOWN.

FIT THE DOOR HANDLES USING THE 25mm BOLTS SUPPLIED.

A NORMAL PADLOCK CAN BE INSERTED THROUGH BOTH DOOR HANDLES FOR ADDED SECURITY IF DESIRED.



FIT BRUSH PILE:

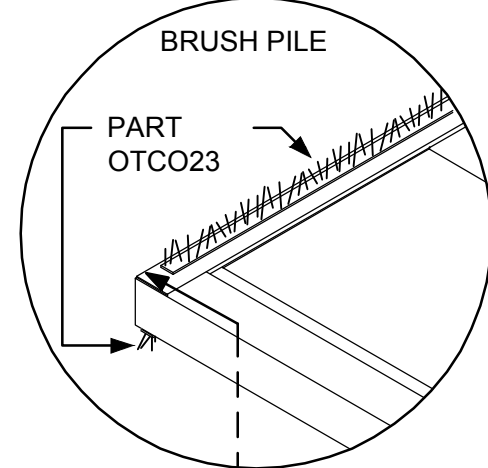
THE BRUSH PILE STRIP IS USED TO REDUCE NOISE WHEN SLIDING THE DOORS.

CUT THE ROLL OF BRUSH PILE SUPPLIED INTO FOUR PIECES ABOUT 750mm LONG.

THE SELF ADHESIVE STRIPS ARE TO BE BONDED TO THE TOP OF THE DOORS ONLY, ON BOTH SIDES AS SHOWN.

ENSURE THAT SURFACES TO BE ADHERED TO ARE CLEAN AND DRY.

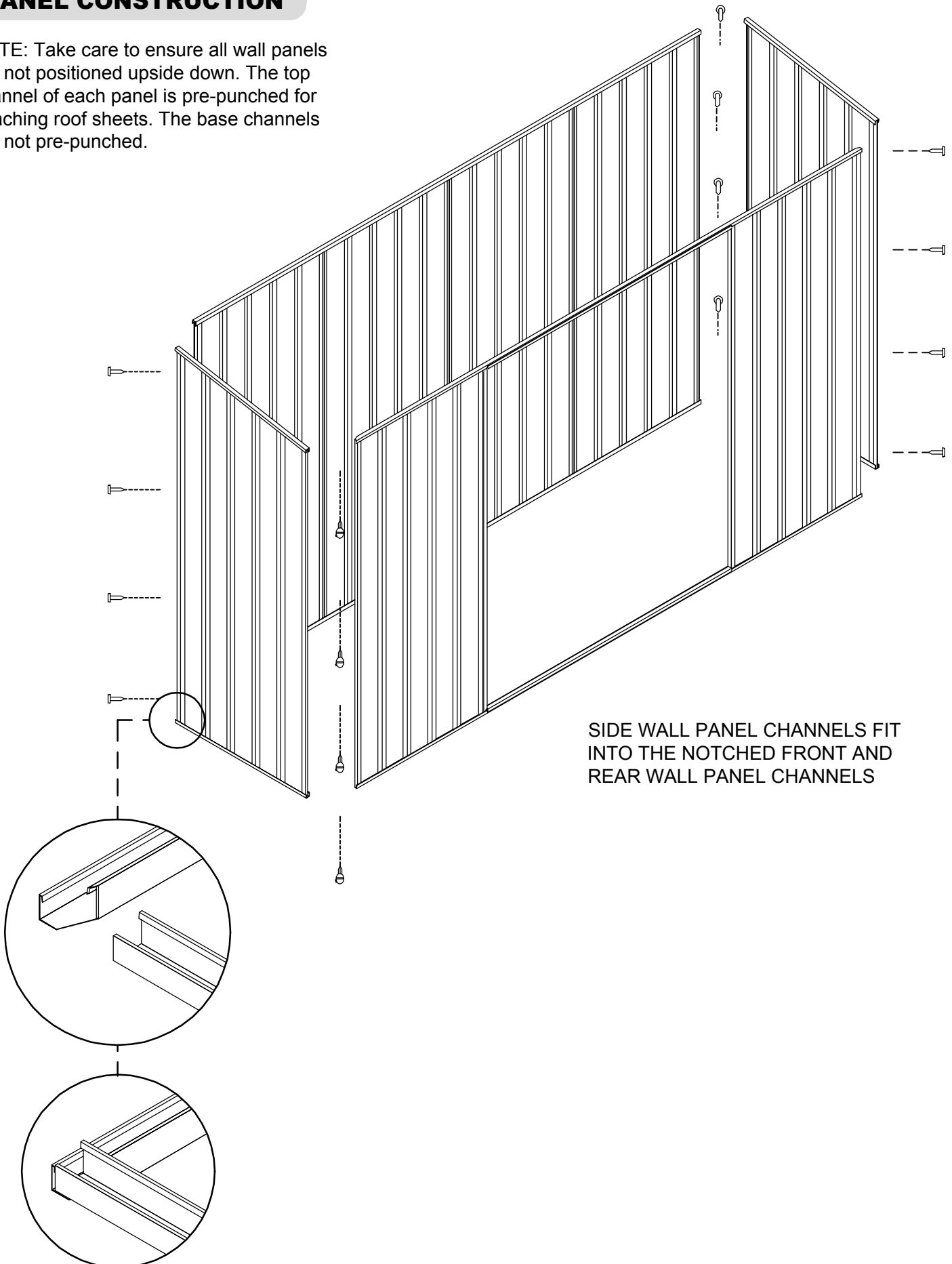
PEEL OFF THE BACKING TAPE AND PRESS FIRMLY IN POSITION FOR A PERMANENT BOND.



POSITION THE STRIPS TO THE VERY TOP EDGE OF THE DOOR.

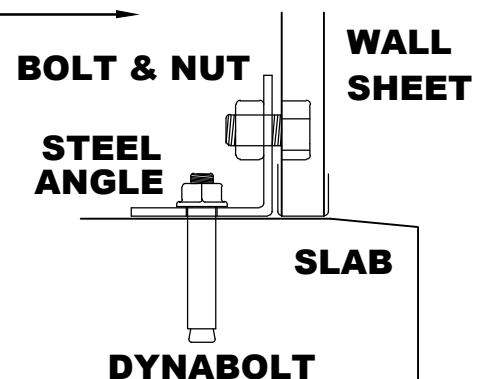
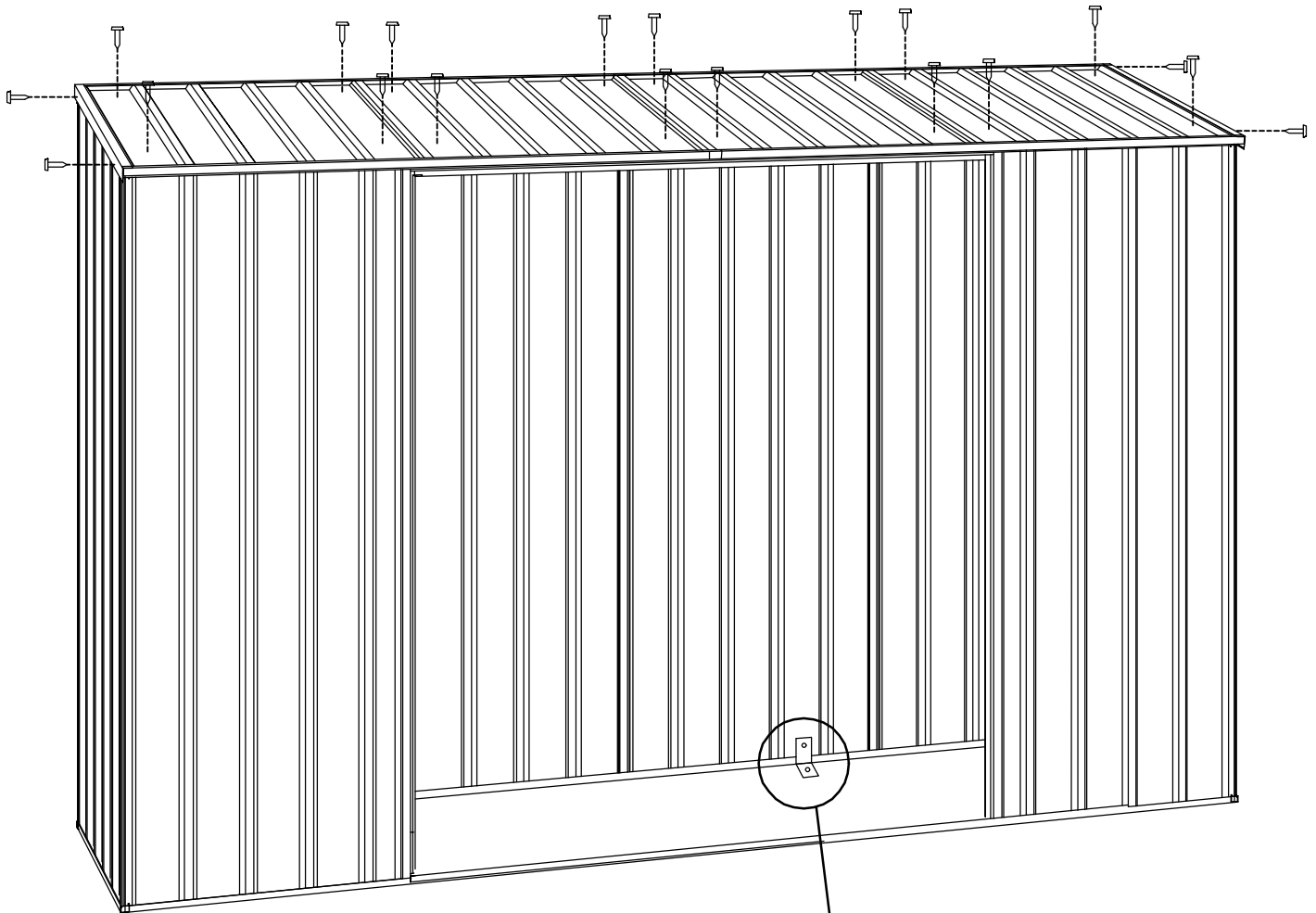
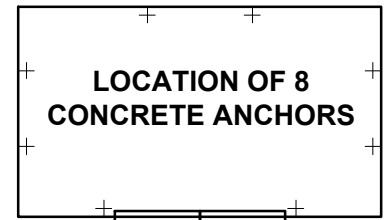
PANEL CONSTRUCTION

NOTE: Take care to ensure all wall panels are not positioned upside down. The top channel of each panel is pre-punched for attaching roof sheets. The base channels are not pre-punched.



FINAL CONSTRUCTION

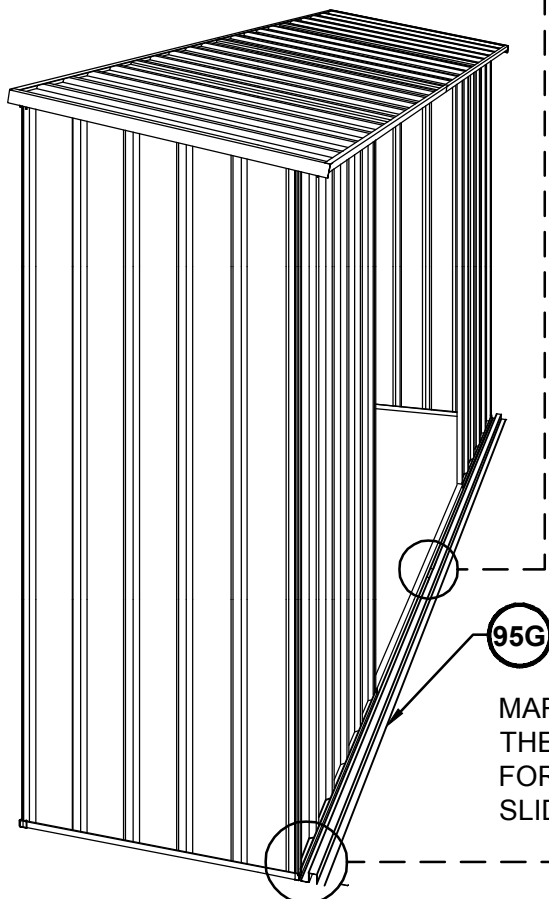
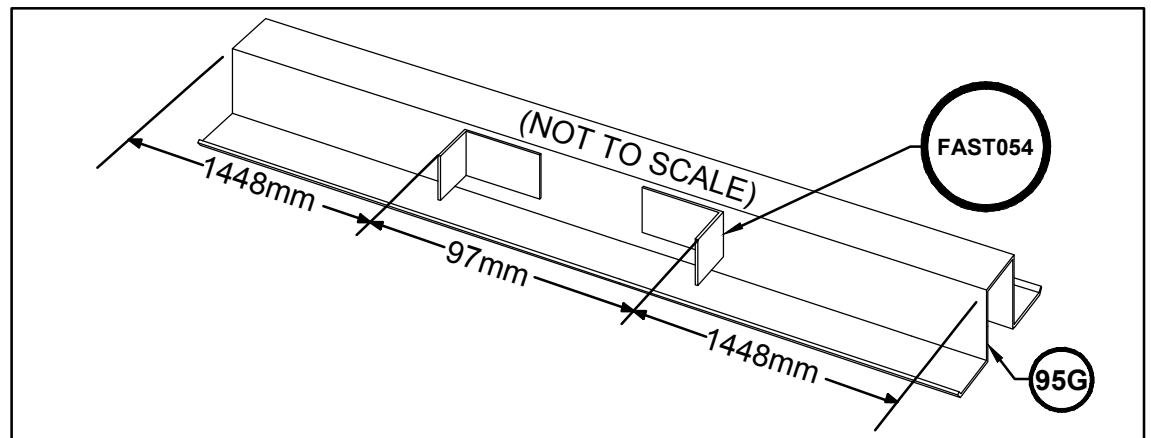
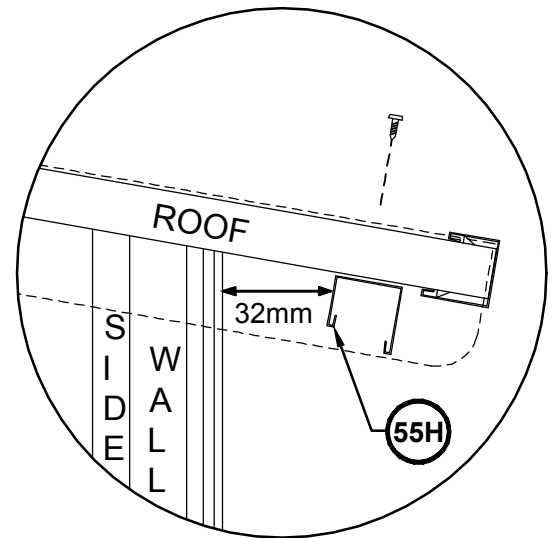
ANCHORING OF SHED



- EACH ANCHOR CONSISTS OF ONE NUT, BOLT, DYNABOLT AND STEEL ANGLE
- DRILL A 10mm HOLE INTO THE WALL SHEET
- DRILL A 10mm HOLE INTO THE CONCRETE

DOOR TRACKS AND TRIMS

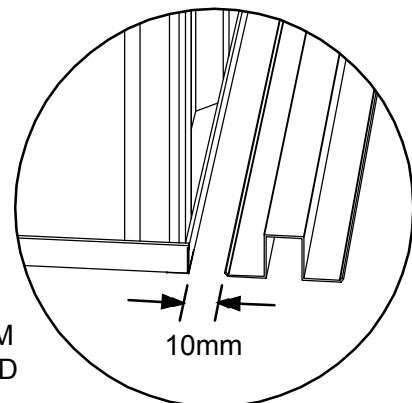
FIT THE SLIDING DOOR TOP RAIL SUPPORT CHANNEL (55H) TO THE ROOF PANEL AT PRE-PUNCHED LOCATIONS USING POP RIVETS AS SHOWN.



FIT THE TWO ANGLE DOOR STOPS (FAST054) TO THE SLIDING DOOR BASE TRACK AS SHOWN WITH TWO POP RIVETS PER ANGLE.

THESE ANGLES WILL PREVENT THE DOORS FROM SLIDING PAST THE CENTRE POINT OF THE DOOR OPENING, AS EACH DOOR ROLLER CARRIAGE MAKES CONTACT WITH THESE DOOR STOPS.

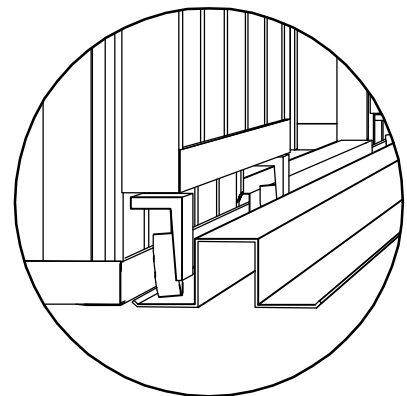
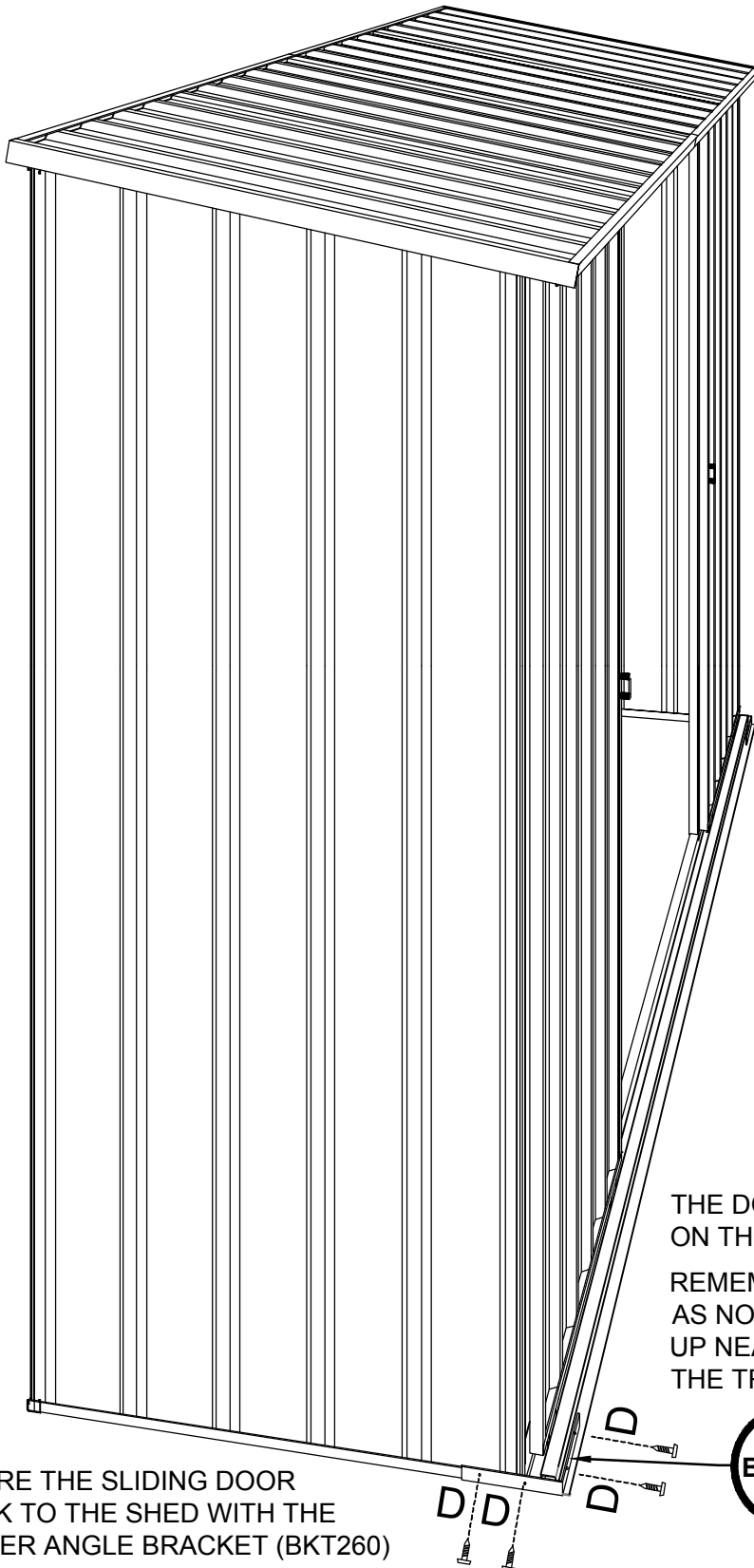
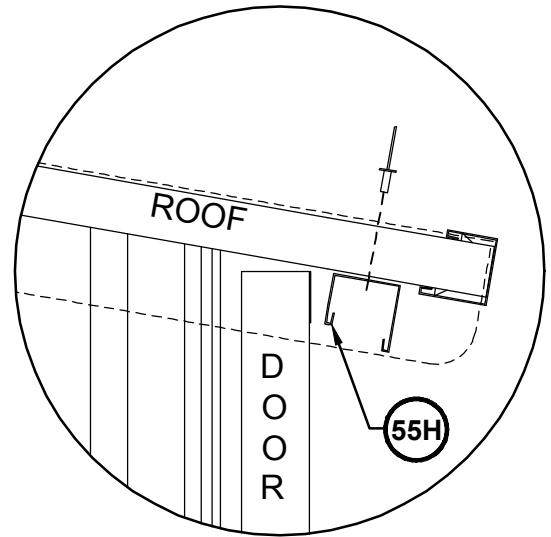
THE DISTANCE OF 97mm ALLOWS FOR 3mm CLEARANCE TO ENSURE THE DOORS BUTT NEATLY TOGETHER.



MARK A LINE 10mm FROM THE FRONT OF THE SHED FOR POSITIONING THE SLIDING DOOR TRACK. (95G)

DOOR TRACKS AND TRIMS

LIFT THE DOORS INTO POSITION, WITH THE TOP OF EACH DOOR LOCATED BETWEEN THE FRONT WALL AND THE TRACK SUPPORT (55H) FRONT TRIM AS SHOWN, BEFORE MOVING THE BOTTOM TRACK INTO POSITION.



THE DOORS SHOULD GLIDE SMOOTHLY ON THE BOTTOM TRACK AS SHOWN.

REMEMBER TO ADJUST THE BOTTOM ROLLERS AS NOTED ON PAGE 15, SO BOTH DOORS BUTT UP NEATLY TOGETHER, BEFORE SECURING THE TRACK TO THE SHED.

SECURE THE SLIDING DOOR TRACK TO THE SHED WITH THE CORNER ANGLE BRACKET (BKT260)

BKT260

AUSTRALIAN PRODUCT WARRANTY AGAINST DEFECTS

Congratulations on your purchase of an GARDENPRO SHED

GARDENPRO SHEDS, including garden sheds, garden beds, aviaries, storage units, garages, awnings and carports are made using high quality Australian made steel.

We are pleased to advise we warrant that the steel coating will not rust, crack, flake peel or blister for **20 years** from date of purchase, when installed within Australia.

This warranty does not apply to surface deterioration of panels caused by 'Swarf' (Tiny particles of steel debris left from cutting, grinding or drilling operations) that has not been removed after building construction, or as a result of contact with damp soil, chemicals, fertilisers or other corrosive substances.

This warranty covers any GARDENPRO product used for normal domestic use and installed in accordance with the installation instructions. The warranty does NOT cover Damage caused by storms, wind, rain snow or poor foundations.

This warranty does NOT cover GARDENPRO products installed in severe coastal, industrial or other highly corrosive environments. The warranty does not cover fasteners (screws, nuts, bolts, rivets, hasps or bolts).

The warranty is limited to replacement and delivery of components and does not include any labour or installation costs. The benefits given by the warranty are in addition to your other rights and remedies under a law in relation to the goods or services to which the warranty relates.

The warranty applies to the exclusion of all other representations, guarantees or warranties express or implied, our goods come with guarantees that cannot be excluded under the Australian consumer law and is not transferable. You are entitled to a replacement or refund for a major failure and for compensation for any other foreseeable loss or damage. You are also entitled to have the goods repaired or replaced if the goods fail to be of an acceptable quality and the failure does not amount to a major failure. For further information go to <http://www.consumerlaw.gov.au>.

Please retain a proof of purchase (sales docket or invoice) or register your warranty within 30 days of purchase here:
<http://gardenprosheds.com.au/register-warranty/>

In the unlikely event a warranty claim is made, it must be supported by photographic evidence and details of the defect, including component part numbers, together with proof of purchase documentation (or on-line registration of purchase) and forwarded to the address below. Upon receipt of the warranty claim, the Customer Service Manager will contact you within three business days to advise you of the assessment outcome of the claim, which may include your expenses incurred in making the claim.

THE CUSTOMER SERVICE MANAGER, GARDENPRO INDUSTRIES, PO BOX 119 ACACIA RIDGE QLD AUSTRALIA 4110

PHONE: 1800-029-701-----FAX: 07-3344-1191-----EMAIL: warranty@GARDENPRO.com.au

Issued 20 September 2017

GARDENPRO SHEDS - STORAGE GUIDELINES

GARDENPRO SHEDS include garden sheds, garden beds, storage units, aviaries, garages, awnings and carports.

GARDENPRO SHEDS are designed to be weatherproof for normal weather conditions. In the event of extreme weather conditions such as heavy rain, combined with high wind gusts, the ridge capping, sheeting joints, screw fixings etc., may exhibit minor deformations which may allow some water entry. These areas should be checked regularly to ensure that maximum strength and protection is maintained.

Other weather conditions such as extreme heat and extreme cold, moist or dry air can influence the effects of concrete floor moisture and/or condensation on the underside of the roof sheets.

GARDENPRO SHEDS and storage units are primarily used for storage of garden equipment such as lawnmowers, wheelbarrows, garden tools etc. Storage items that might be adversely affected by any of the above conditions may require additional protection such as being sealed or covered by plastic sheets and/or stacked above the concrete floor on timber slats.

Waterproof sealants may be used to offer further protection where required around joins and screw fixings, as can rubber door seals and other products which are available from most hardware outlets.

Placement of waterproof sealants (silicone) between the base of the shed and concrete slab is not recommended, as this process can have a reverse effect, preventing excess water from escaping, resulting with water accumulating and being trapped inside the shed.

GARDENPRO accepts no responsibility for water entry, floor moisture, condensation or the condition of the Contents inside your GARDENPRO steel building arising from any of the pre-mentioned weather conditions.