

DIVON8SIF

Stainless Steel Double Bowl Sink With Drainer



BLANCO



Model Code

DIVON8SIFL
DIVON8SIFR

Description

Double bowl IF with drainer,

Inclusions

Chrome pop up designer waste
Integrated overflow in one bowl

Warranty

30 year warranty



Features

Benefits

Engineered in Germany

Over 85 years of Stainless Steel know-how make Blanco one of the world leaders in sink manufacturing, which translates to superior products for your home.

Choice of left or right hand bowl

To suit your kitchen and personal preference

18/10 Surgical Grade Stainless Steel

Engineered from 1 mm thick stainless steel and finished with Blanco's satin polish make this sink an ultimate food preparation area.

Inset flushmount installation

This elegant IF flat rim not only has an appealing flush fit but it makes it much easier to clean around the sink.

Large 25L capacity bowls and 196mm bowl depths

Accommodates the largest of baking trays, woks and other bulky kitchen utensils.

All in one: double bowl and drainer tray sink

Ideal for kitchens with limited space

Designer pop up waste

Allows hands free drainage of the main bowl

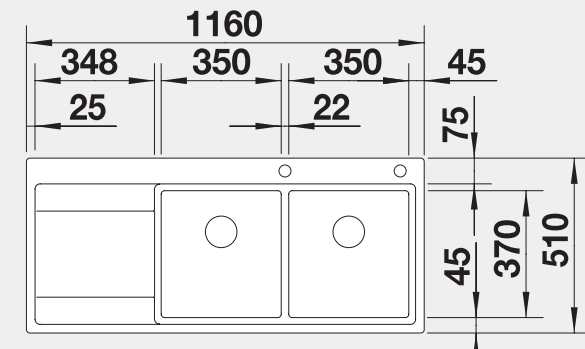
Raised Tap Landing

Further elevates tap from water and helps to prevent grime build up at base of tap.

Integrated overflow – Plumbing kit supplied

No overflowing of the main bowl, prevents damage to the kitchen.

Specifications



Method of Installation:	Inset/Flushmount
Cabinet Size:	80cm
Overall Dimensions:	1160w x 510d x 196/196h mm
Inset Cut-out::	1140w x 490d mm (refer to CAD drawing on the website for corner radii)
Inset Flushmount Cut Out:	1162w x 512d mm (refer to CAD drawing on the website for corner radii)
Bowl Capacities:	25 Litres
Standard Inclusions:	Designer pop-up waste and integrated overflow
Tap Hole Supplied:	Yes
Pop-up waste hole supplied:	Yes
Optional Accessories:	DIVONCOLSS, DIVONGCB, CAPFLOW
Warranty:	30 years

Note: Measurements are within 2-3mm of factory tolerance. It is advisable to check dimensions of physical product when measuring for installations and before doing any cut outs.

*Due to continual product development the information provided is not final and may be subject to change