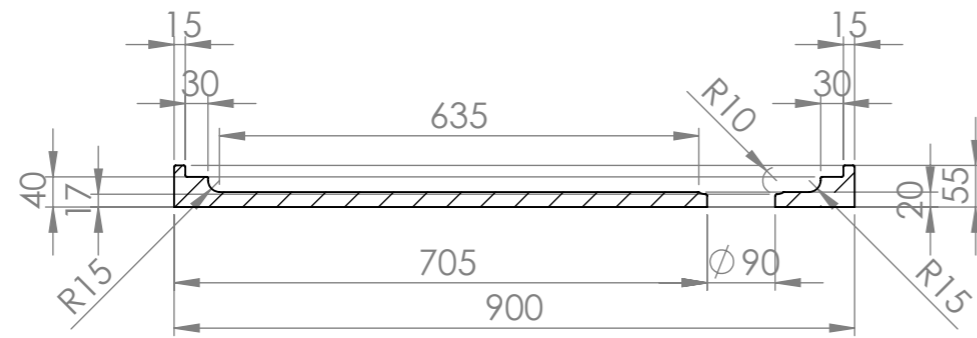
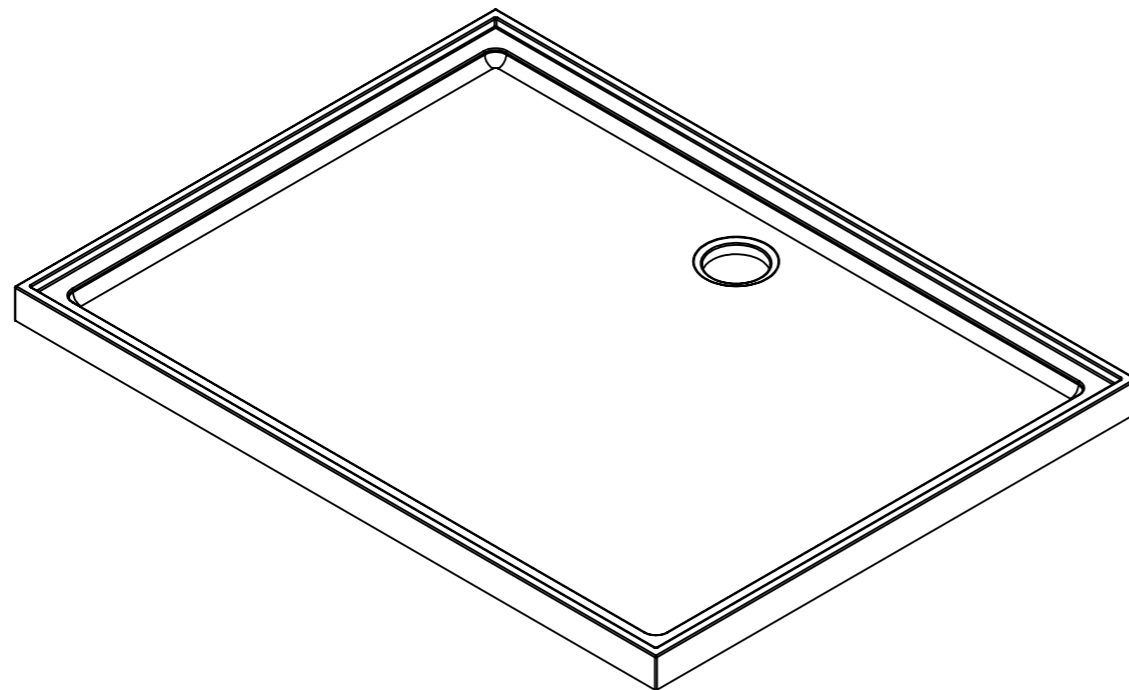


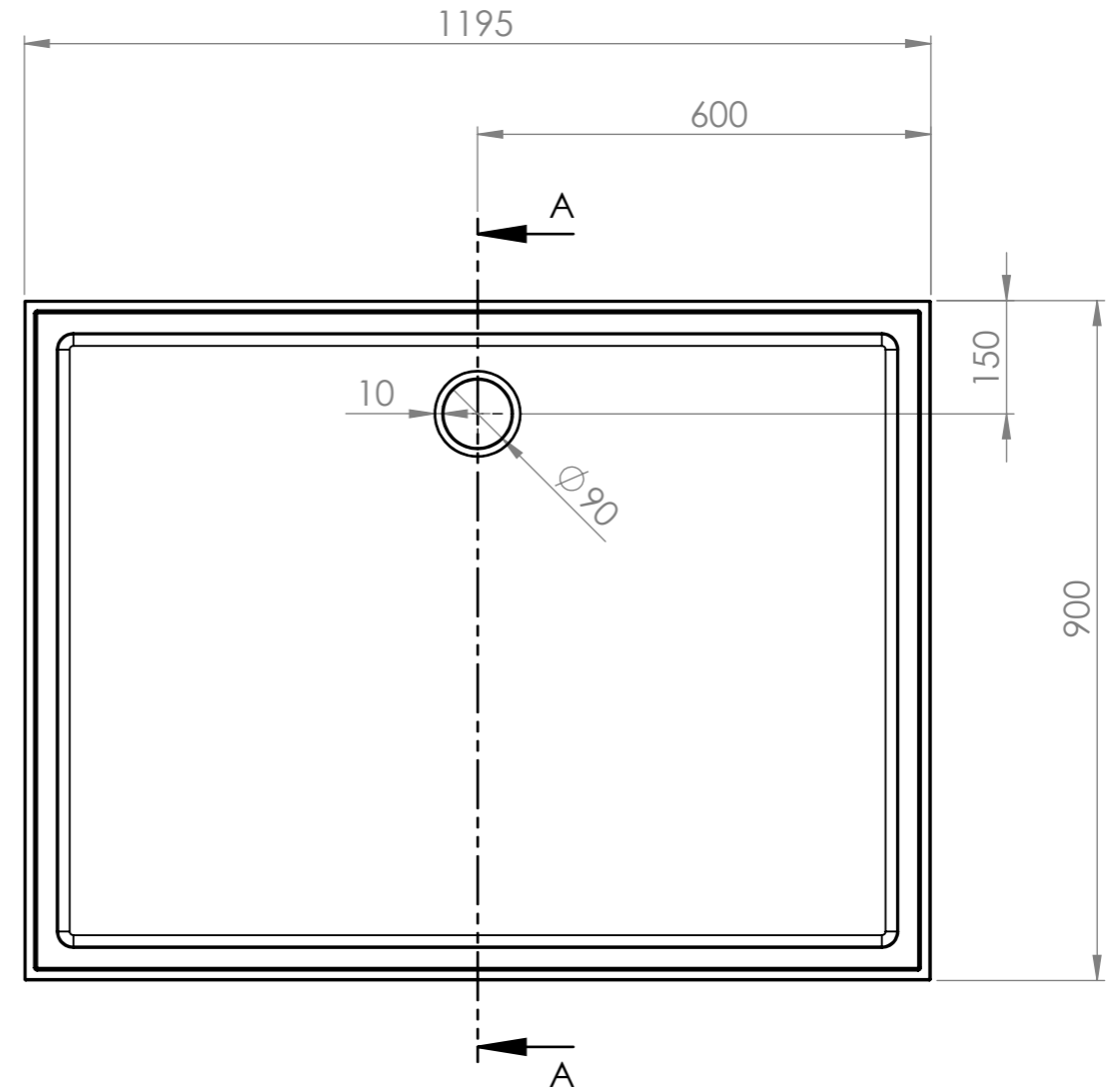
ITEM NO.	PART NUMBER	DESCRIPTION	QTY.
1	102.01.01.20	4Way 1200x900 Rear Outlet	1




SECTION A-A  
CROSS SECTION VIEW



ISOMETRIC VIEW



TOP VIEW

 Showerline 5 Kim Court North Geelong VIC 3215  Phone: 1800 688 745 Fax: n/a Email: n/a Website: www.showerline.com.au	Material: Poly Marble	DO NOT SCALE DRAWING		REVISION 1.1	
	Part Number: 102.01.01.20	TITLE: 4Way 1200x900 Rear Outlet DRAWING rev 1.1			
	UNLESS OTHERWISE SPECIFIED: DIMENSIONS ARE IN MILLIMETERS SURFACE FINISH: Gel coat, Fast cure ISO NPG Styrene Monomer TOLERANCES: 5mm ALL FILLETS 2mm UNLESS SPECIFIED	SIZE A	DWG NO. 25 of 50	A3 PAGE: 1	
	Drawn and prepared by NAME: Jason Duong SIGNATURE: [Signature] DATE: 08/09/2017	SCALE: 1:10			This drawing and design belongs to Showerline. This technical drawing is a guide only, dimensions should be checked with actual shower base supplied.

