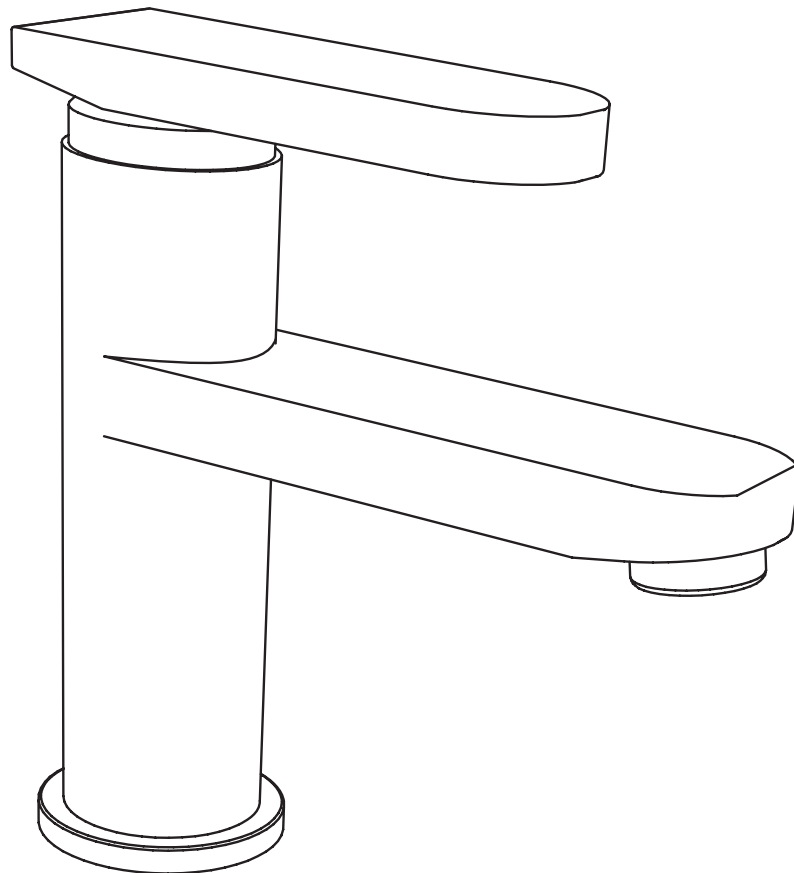


AZZURRA

INSTALLATION INSTRUCTIONS

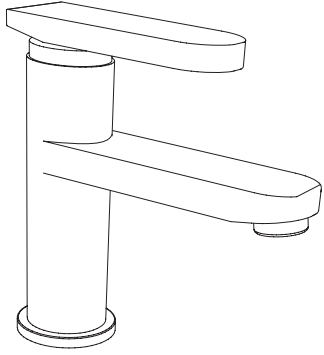
SINGLE LEVER MIXER TAPWARE



Installation is to be in accordance with AS/NZS3500 as
required by AS3718

VERSION 3.0 2013

FOREWORD



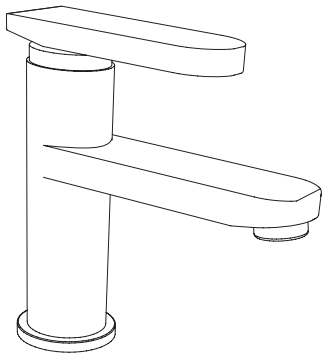
Follow these instructions before fitting.

- Installation & maintenance of this product should be undertaken by qualified plumbers.
- Prior to installation, please check that your plumbing system is adequate and that all pipes have been sufficiently flushed through.
- The recommended working pressure is 350-500 k.p.a.
- The minimum working pressure must not be less than 170 k.p.a.
- If pressures exceed 500 k.p.a pressure reduction valves must be fitted as required within Australian Standards
- Turn off mains cold water supply.
- The water temperature must not exceed 70 degrees celcius.
- The hole in the sink or countertop must be 35mm.

***N.B. (maximum pressure & temperature for hot water systems are specified in Australian Standards)**

Please note: It is preferable if stop cocks are fitted in the pipework beneath the tap. This enables each supply to be independently isolated making it easier to service and/or remove the tap.

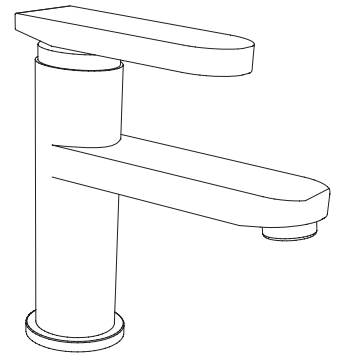
Sink & Vanity Basin Taps



1. Screw the short threaded rod into the hole in the body.
2. Screw the flexible connectors into each of the other outlets (*ensure these are screwed in firmly*).
3. Position the spout over the basin hole ensuring the threaded rod is fully through the sink or basin. place the rubber horse shoe shaped bracket gasket over the threaded rod followed by the brass horse shoe shaped bracket and locking nut then tension using a long bodied socket, ensuring that you do not overtighten.
4. Connection to the water supply is achieved using the flexible tap connectors provided.
5. Connect to the water supply.

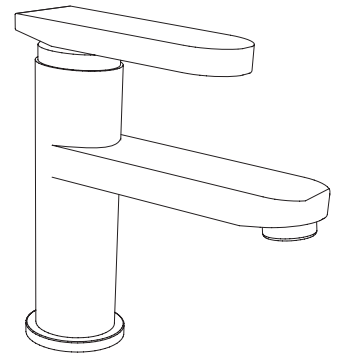
Sink & Vanity Basin Taps CONT.

6. Once all the connections are made, the mains cold water supply can be turned back on and the system refilled. Now check for any leaks. (At this stage it is recommended that the aerators and flow restrictors be removed and the whole system flushed to remove any foreign matter.) After flushing replace the aerator and flow restrictor then test for leaks.



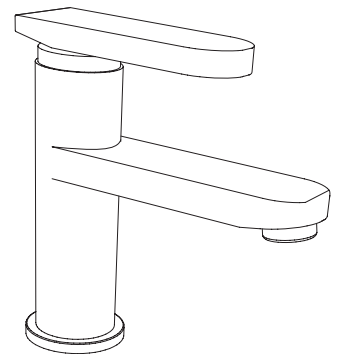
Bath & Shower Mixers

1. Identify the distance from the centerline of the water inlets on the mixer body to the outside of the finished wall. Ensure there is sufficient protrusion of the cartridge housing and diverter button (where fitted) extending from the finished wall for the installation of the faceplate and proper operation of the mixer handle and diverter button.
2. Secure the mixer body through the fixing lugs mounted on the body to the surrounding frame work using approved fasteners. It is recommended that the pipe work connected to the mixer body be secured firmly with copper saddle clamps. When installing the mixer ensure that the hot indicator is to the left when facing the mixer.

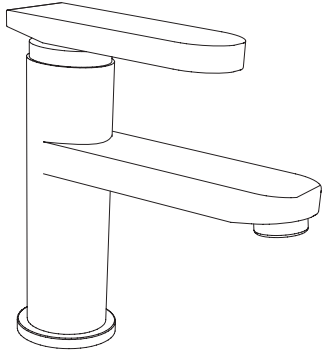


Cartridge Removal

1. Turn off the water at the main stop cock.
2. Remove cover button.
3. Insert the allen key provided and undo the handle retaining screw.
4. Remove handle.
5. Unscrew cartridge cover.
6. Undo cartridge retaining nut using suitable spanner, and remove cartridge.

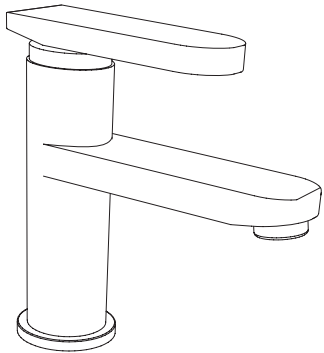


Cartridge Replacement



1. Ensure Rubber seal is intact.
2. Check that the inside of the tap body is clean.
3. Line up the two lugs on the bottom of the cartridge with the two locating holes on the inside bottom of the tap and insert the cartridge.
4. Screw in the cartridge retaining nut firmly. Refit the remaining parts in reverse sequence to the removal.

General Care & Installation Guide



Please note: Chrome & Gold plated finishes should be cleaned with warm soapy water and a soft cloth or sponge, rinsed and dried immediately then buffed with a dry soft cloth.

Under no circumstances must any detergents containing hydrochloric acids or abrasives including cream cleansers be used.

***N.B. The aerator at the water outlet, should be checked and cleaned regularly.**