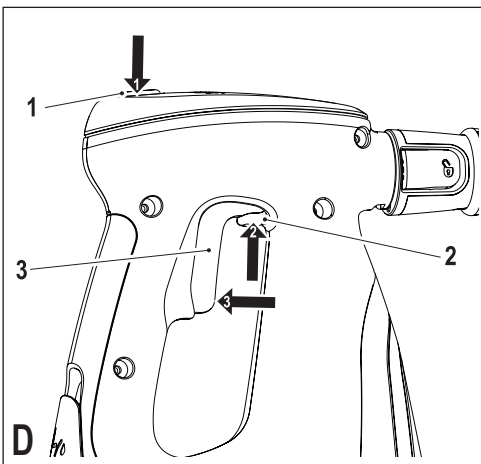
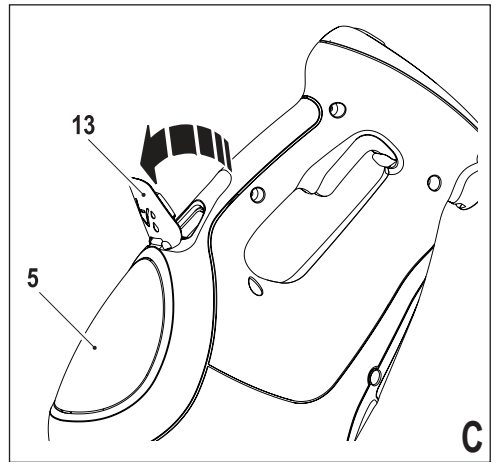
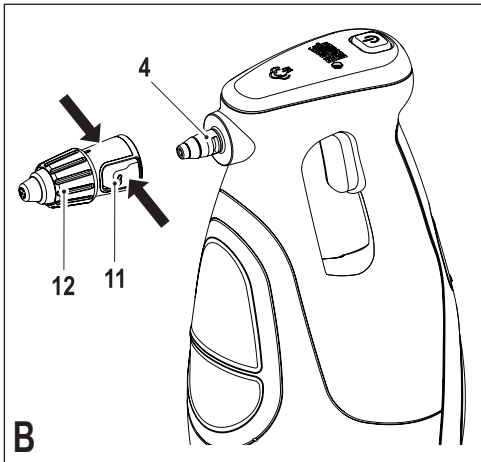
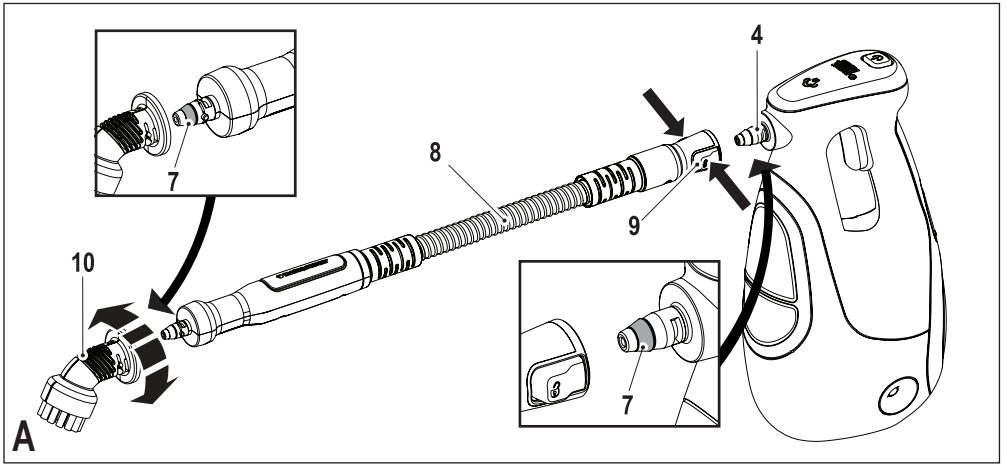


FSS1600-XE

**Australia
New Zealand**



Intended use

Your Black & Decker steam cleaner has been designed for sanitising and cleaning tiles, work tops, kitchen surfaces and bathroom surfaces. This appliance is intended for indoor household use only.

Safety instructions

Warning! Read all safety warnings and all instructions. Failure to follow the warnings and instructions listed below may result in electric shock, fire and/or serious injury.



Warning! When using mains-powered appliances, basic safety precautions, including the following, should always be followed to reduce the risk of fire, electric shock, personal injury and material damage.

- ◆ Read all of this manual carefully before using the appliance.
- ◆ The intended use is described in this manual. The use of any accessory or attachment or the performance of any operation with this appliance other than those recommended in this instruction manual may present a risk of personal injury.
- ◆ Retain this manual for future reference.

Using your appliance

- ◆ Do not direct steam at people, animals, electrical appliances or electrical outlets.
- ◆ Do not expose to rain.
- ◆ Do not immerse the appliance in water.
- ◆ Do not leave the appliance unattended.
- ◆ Do not leave the appliance connected to an electrical outlet when not in use.
- ◆ Never pull the power lead to disconnect the appliance from the socket. Keep the appliance lead away from heat, oil and sharp edges.
- ◆ Do not handle steam cleaner with wet hands.
- ◆ Do not pull or carry by cord, use cord as a handle, close door on cord, pull cord around sharp corners or expose cord to heated surfaces.
- ◆ Do not use appliance in an enclosed space filled with vapour given off by oil-base paint thinner, some moth-proofing substances, flammable dust, or other explosive or toxic vapours.
- ◆ Check the type of floor with the manufacturer.
- ◆ Do not use on leather, wax polished furniture or floors, synthetic fabrics, velvet or other delicate, steam-sensitive materials.



Warning! Do not use on unsealed wood or unsealed laminate floors. On surfaces that have been treated with wax or some no wax floors, the sheen may be removed by the heat and steam action. It is always recommended to test an isolated area of the surface to be cleaned before proceeding. We also recommend that you check the use and care instructions from the floor manufacturer.

- ◆ Never put descaling, aromatic, alcoholic or detergent products into the steam cleaner, as this may damage it or make it unsafe for use.
- ◆ If the home circuit breaker activates while using the steam function, discontinue product use immediately and contact the customer support centre. (Beware of the risk of electrical shock.)
- ◆ The appliance emits very hot steam to sanitize the area of use. This means that the steam head, cleaning pads and carpet attachment get very hot during use.
- ◆ **Caution!** Always wear suitable shoes when using your steam mop and when changing the accessories on your steam mop. Do not wear slippers or open toed footwear.
- ◆ Steam may escape from the appliance during use.
- ◆ Care should be taken when using this appliance. DO NOT touch any parts which may become hot during use.

- ◆ If steam is observed escaping from the body of the hand held steam cleaner, switch off and disconnect the unit from the mains supply, allow to cool. Contact your nearest authorised repair agent. Do not continue to use the appliance.

After use

- ◆ Unplug the appliance and allow to cool before cleaning.
- ◆ When not in use, the appliance should be stored in a dry place.
- ◆ Children should not have access to stored appliances.

Inspection and repairs

- ◆ Unplug the appliance and allow to cool before performing any maintenance or repairs.
- ◆ Before use, check the appliance for damaged or defective parts. Check for breakage of parts, damage to switches and any other conditions that may affect its operation.
- ◆ Regularly check the power lead for damage.
- ◆ Do not use the appliance if any part is damaged or defective.
- ◆ Have any damaged or defective parts repaired or replaced by an authorized repair agent.
- ◆ Never attempt to remove or replace any parts other than those specified in this manual.

Safety of others

- This appliance can be used by children aged from 8 years and above and persons with reduced physical, sensory or mental capabilities or lack of experience and knowledge if they have been given supervision or instruction concerning use of the appliance in a safe way and understand the hazards involved. Children shall not play with the appliance. Cleaning and user maintenance shall not be made by children without supervision.
- Children should be supervised to ensure that they do not play with the appliance.

Residual risks.

Additional residual risks may arise when using the tool which may not be included in the enclosed safety warnings. These risks can arise from misuse, prolonged use etc. Even with the application of the relevant safety regulations and the implementation of safety devices, certain residual risks can not be avoided. These include:

- Injuries caused by touching any moving parts.
- Injuries caused by touching any hot parts.
- Injuries caused when changing any parts or accessories.
- Injuries caused by prolonged use of the appliance. When using any appliance for prolonged periods ensure you take regular breaks.

Electrical safety



Warning! This product must be earthed. Always check that the power supply corresponds to the voltage on the rating plate.

Power plugs must match the outlet. Never modify the plug in any way. Unmodified plugs and matching outlets will reduce risk of electric shock.

- If the supply cord is damaged, it must be replaced by the manufacturer or an authorised Black & Decker Service Centre in order to avoid a hazard.

Extension cables & Class 1 product

- A 3-core cable must be used as your appliance is earthed and of Class 1 construction.
- Up to 30m (100 ft) can be used without loss of power.

Labels on the appliance

The following pictograms are shown on the tool:



Warning! To reduce the risk of injury, the user must read the instruction manual.



Warning! Danger of scalding.

Features

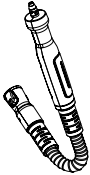
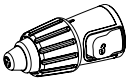
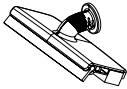
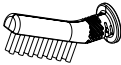
This appliance includes some or all of the following features.

1. ON/Off switch
2. Lock off button
3. Trigger switch
4. Steam nozzle
5. Water tank
6. Filler cap

Accessories

This appliance includes some of the following accessories others are available to purchase from the Black & Decker website.

The performance of your appliance depends on the accessory used. Black & Decker accessories are engineered to high quality standards and designed to enhance the performance of your appliance. By using these accessories you will get the very best from your appliance.

	<p>Flexible hose and handle For convenient use of all accessories.</p>
	<p>Variable stem jet nozzle For higher pressure steam bursts, twist to change the spray pattern of the steam burst.</p>
	<p>Large Squeegee For cleaning glass doors and windows. Warning! Do not use the window squeegee on cold glass. It may cause the glass to break.</p>
	<p>Detail tile cleaner For cleaning grouted areas between tiles.</p>

Assembly

Warning! Before attempting any of the following operations, make sure that the appliance is switched off and unplugged and that the appliance is cold and does not contain any water.

Attaching the hose and accessories (Fig. A & B)

Warning! Inspect the seal (7) on the steam nozzle (4) and hose (8) before each use. If the seal is missing or damaged then please contact your nearest authorised repair agent. Do not use the appliance.

Attaching the hose (Fig. A)

- ◆ Press in the clips (9) on either side of the hose (8).
- ◆ Press the hose (8) onto the steam nozzle (4) and release the clips (9).

Important! Ensure that the hose (8) is securely fastened before using the hand held steam cleaner. If steam escapes from the joint then the hose is not correctly fit, allow the unit to cool then remove and re-fit the hose.

Attaching the variable steam jet nozzle (Fig. B)

- ◆ Press in the clips (11) on either side of the variable steam jet nozzle (12).
- ◆ Press the variable steam jet nozzle onto the steam nozzle (4) or the hose (8) and release the clips (11).

Important! Ensure that the variable steam jet nozzle (12) is securely fastened before using the hand held steam cleaner. If steam escapes from the joint then the variable steam jet nozzle is not correctly fit, allow the unit to cool then remove and re-fit the variable steam jet nozzle.

Attaching other accessories (Fig. A)

- ◆ Align the lugs on the hose (8) with the recesses on the accessory.
- ◆ Press the accessory (10) onto the hose (8) and twist anti-clockwise until the accessory clicks into place.

Note! The variable steam jet nozzle may be used without the hose by fitting them directly to steam nozzle. All other accessories must be connected to the hose for use.

Removing the hose and accessories (Fig. A & B)

Warning! The Steam nozzle, variable steam jet nozzle, hose and accessories become hot during use. Allow the unit and all accessories to cool before removing any accessories.

Removing an accessory (Fig. A)

- ◆ Twist the accessory (10) clockwise then pull away from the hose (8).

Removing the hose (Fig. A)

- ◆ Press in the clips (9) on either side of the hose (8) and pull away from the steam nozzle (4).

Removing the variable steam jet nozzle (Fig. B)

- ◆ Press in the clips (11) on either side of the variable steam jet nozzle (12) and pull away from the steam nozzle (4).

Filling the water tank (Fig. C)

This Steam cleaner incorporates an anti-calc system to help prolong the life of the system.

Note: Fill the water tank with clean tap water.

Note: In areas of very hard water, the use of de-ionised water is recommended.

- ◆ Switch off the unit and disconnect from the mains supply.
- ◆ Open the filler cap (6) by flipping it down.
- ◆ Using the jug, fill the water tank (5) with water.

Warning! Your water tank has a 0.35 litre capacity.

- ◆ Re-fit the filler cap (6).

Note: Ensure the filler cap is firmly secured.

Use

Important! This unit will kill 99.9% of bacteria & germs when used in accordance with this manual and with the micro fibre pad fitted and a continuous run time of 90 seconds.

Switching on and off

- ◆ To switch the appliance on, press the ON/OFF button (1). It takes approximately 15 seconds for the hand held steam cleaner to heat up.

Note: When the hand held steam cleaner is first turned on the water reservoir will glow red. Once the hand held steam cleaner is ready to use the water reservoir will glow blue.

- ◆ Lift the lock off switch (2) and pull the trigger switch (3). After a few seconds steam will be produced.
- ◆ To switch the appliance off, release the trigger switch (3) then press the ON/OFF button (1).

Caution! Always empty the hand held steam cleaner after use.

Caution! Steam may continue to be produced for a short time after the trigger switch (3) is released, this is normal. Switch off and allow the unit to cool before removing any accessories.

Hints for optimum use

General

- ◆ For optimal cleaning results never use the hand held steam cleaner without first attaching an accessory.
- ◆ Do not use chemical cleaners with your hand held steam cleaner. To remove stubborn stains from vinyl or linoleum floors, you can pre-treat with a mild detergent and some water before using the steam mop.

Hand held steam cleaning

- ◆ Attach the required accessory.
- ◆ Connect the hand held steam cleaner to the mains.
- ◆ Press the ON/OFF button (1). It takes approximately 15 seconds for the hand held steam cleaner to heat up.
- ◆ Lift the lock off (2) and pull the trigger switch (3) to activate the steam pump. After a few seconds steam will start to come out of the accessory.

Note: During use you may turn off the steam pump by releasing the trigger switch, this convenient feature will allow you to place the hand held steam cleaner down for a short time so that you may move items of furniture, then continue cleaning without the need to switch the appliance off.

- ◆ When you have finished using the hand held steam cleaner, release the trigger switch (3), turn it 'OFF' and disconnect from the mains supply. Wait until the steam mop cools down before storing. (approximately five minutes)

Caution! It is important to monitor the water level in the water tank. To refill the water tank and continue to sanitise/clean, turn the hand held steam cleaner 'OFF'. Unplug the unit from the electrical wall outlet, refill the water tank (5).

After use

- ◆ Unplug the hand held steam cleaner from the electrical wall outlet.
- ◆ Allow the hand held steam cleaner to cool completely. (approximately five minutes)
- ◆ Empty the water tank (5).
- ◆ Remove the accessories and store in the storage bag provided.

Maintenance and cleaning

Your Black & Decker corded appliance has been designed to operate over a long period of time with a minimum of maintenance. Continuous satisfactory operation depends upon proper appliance care and regular cleaning.

Warning! Before performing any maintenance or cleaning on corded appliances switch off and unplug the appliance.

- ◆ Wipe your appliance over using a soft damp cloth.
- ◆ For stubborn marks you can use a mild solution of soap and water to dampen your cloth.
- ◆ Inspect the seal (7) on the steam nozzle (4) and hose (8) before each use. If the seal is missing or damaged then please contact your nearest authorised repair agent. Do not use the appliance.

Protecting the environment



Separate collection. This product must not be disposed of with normal household waste.

Should you find one day that your Black & Decker product needs replacement, or if it is of no further use to you, do not dispose of it with household waste. Make this product available for separate collection.



Separate collection of used products and packaging allows materials to be recycled and used again. Re-use of recycled materials helps prevent environmental pollution and reduces the demand for raw materials.

Local regulations may provide for separate collection of electrical products from the household, at municipal waste sites or by the retailer when you purchase a new product.

Black & Decker provides a facility for the collection and recycling of Black & Decker products once they have reached the end of their working life. To take advantage of this service please return your product to any authorised repair agent who will collect them on our behalf.

You can check the location of your nearest authorised repair agent by contacting your local Black & Decker office at the address indicated in this manual. Alternatively, a list of authorised Black & Decker repair agents and full details of our after-sales service and contacts are available on the Internet at: www.2helpU.com

Australia & New Zealand

Stanley Black & Decker

82 Taryn Drive, Epping, VIC 3076 Australia

Tel. 1800 338 002 (Aust) or Tel. 0800 339 258 (NZ)

Technical data

		FSS1600-XE (Type 1)
Voltage	V _{ac}	230
Power	W	1600
Tank capacity	ml	350
Weight	kg	2.7