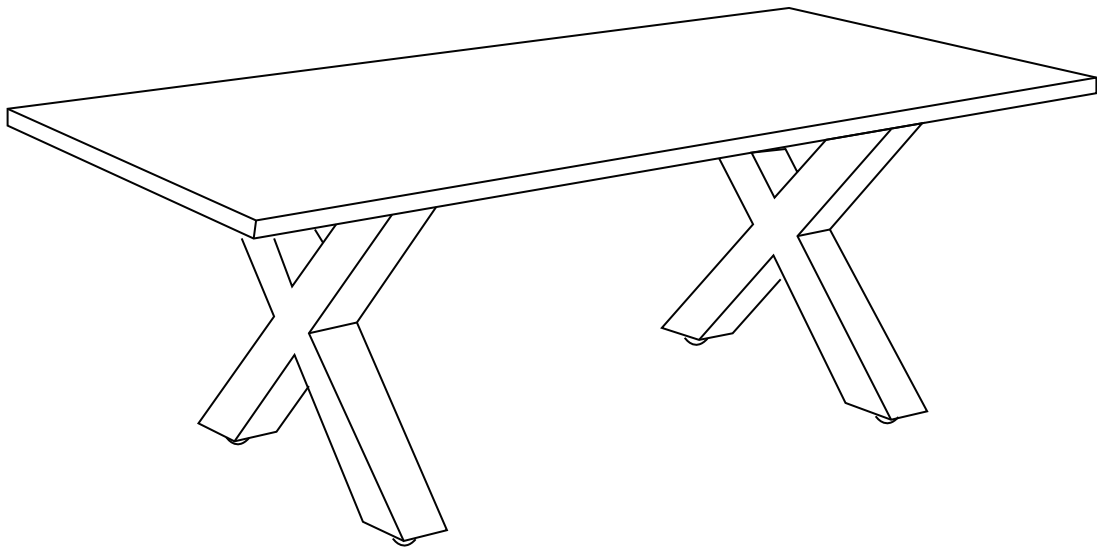


LAVA BRONTE TABLE

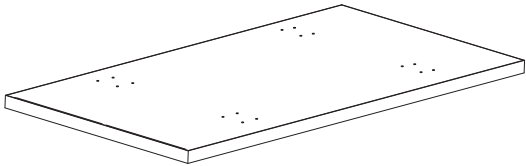
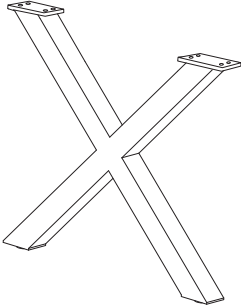
ASSEMBLY INSTRUCTIONS




Item No. 0177365

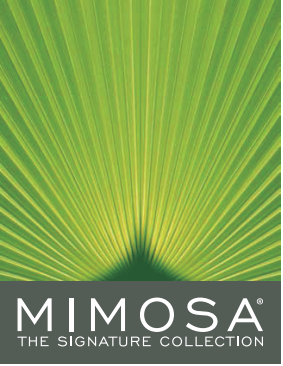


READ & SAVE BELOW INSTRUCTIONS BEFORE ASSEMBLY

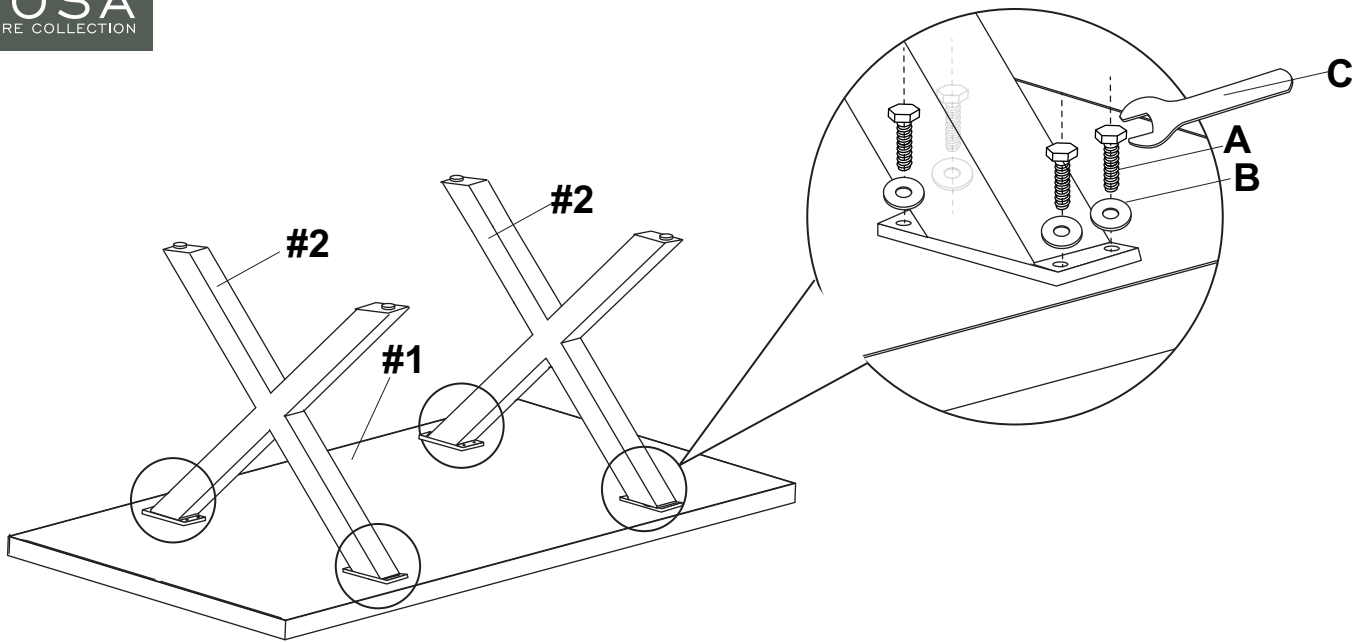
- 1. PLEASE SEPARATE AND IDENTIFY ALL PARTS, MAKING SURE THAT YOU HAVE ALL OF THE PARTS LISTED.**
- 2. TO AVOID ANY SCRATCHES DURING ASSEMBLY, ASSEMBLE ON A SOFT MAT OR SIMILAR.**
- 3. ASSEMBLE STEP BY STEP FOLLOWING THE INSTRUCTIONS.**
- 4. WASHERS MUST BE USED.**
- 5. DURING ASSEMBLY DO NOT OVER FASTEN SCREWS & NUTS.**
- 6. DO NOT COMPLETELY TIGHTEN EACH SCREW AND NUT UNTIL THEY ARE ALL FIXED IN PLACE.**

| PARTS LIST | | | |
|------------|---|-----------|------|
| CODE | PARTS | | QTY. |
| #1 |  | Table Top | 1PC |
| #2 |  | Leg | 2PCS |

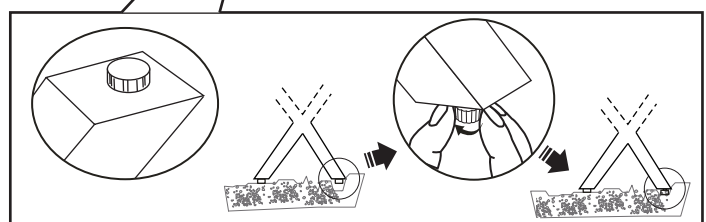
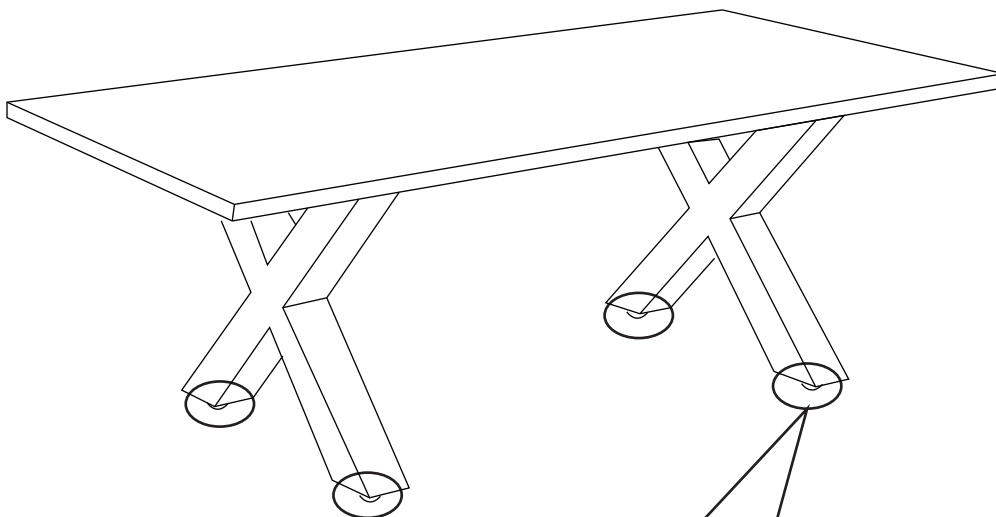
| HARDWARE LIST | | | |
|---------------|---|--------|-------|
| CODE | PARTS | | QTY. |
| A |  | Bolt | 16PCS |
| B |  | Washer | 16PCS |
| C |  | Wrench | 1PC |

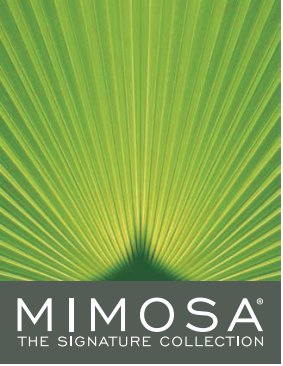


- 1 Carefully turnover your table top on to a clean and protected surface. Secure leg (#2) to the table top (#1) using bolts (A) and washer (B). Tighten securely.



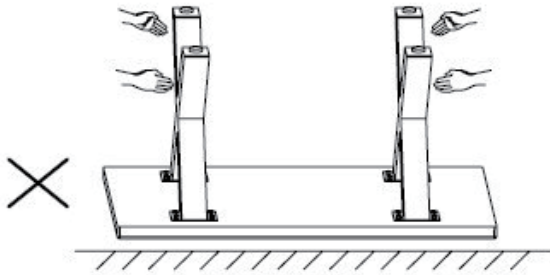
- 2 Carefully turn over your assembled table and place in the desired area. Unscrew the height adjustment feet as necessary to level the table.



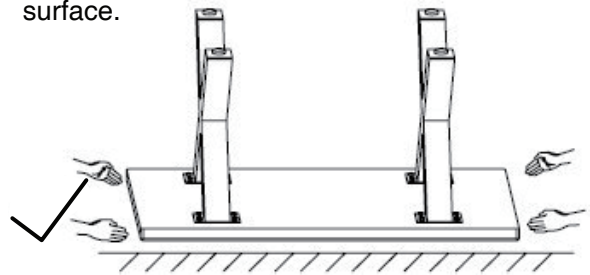


HANDLING INSTRUCTIONS

Do not carry by the legs.



Carry or turnover by gripping the table top surface.



Do not place the table down unevenly. Doing so may damage the table.

