

STEEL EXPANDABLE GAZEBO

ITEM NO. 0177357

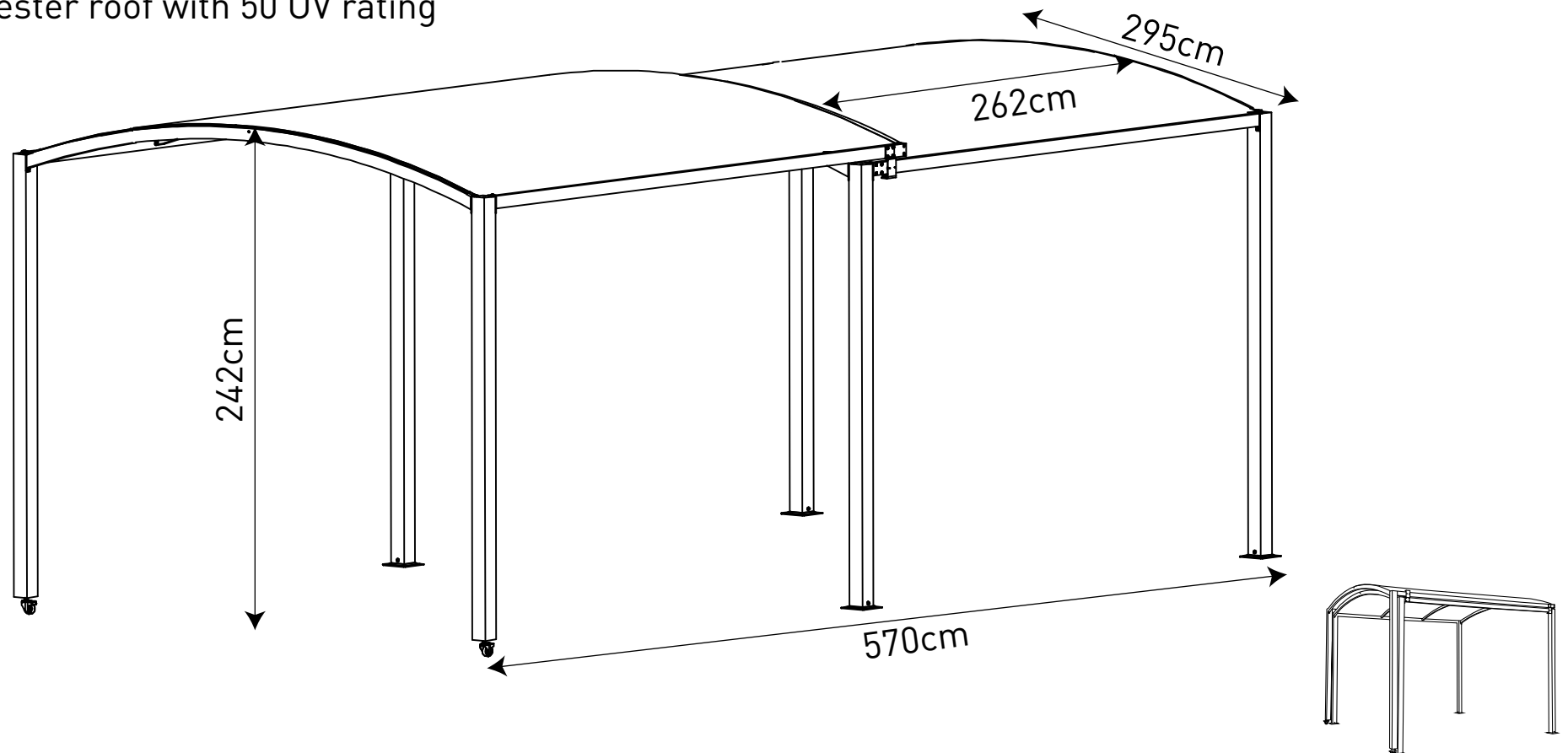
Steel Frame

Gazebo Size: 295W x 303D x 242H cm

Expands up to 570cm with handy leg mounted guide wheels

Powder coated frame – Charcoal

180GSM Polyester roof with 50 UV rating



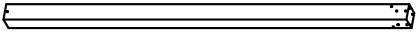
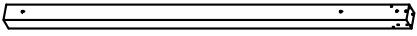
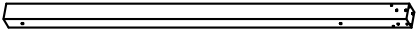
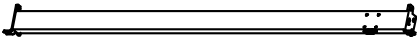
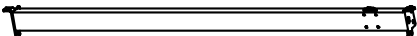
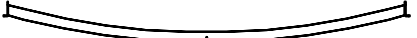
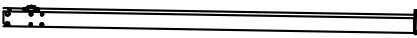
Safety and care advice



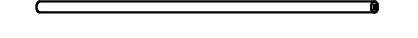
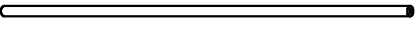

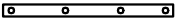
Check that you have all the components and appropriate tools listed in this booklet before starting assembly.
Remove all fittings from their plastic bags and separate them into their groups.
Keep children and animals away from the work area; small parts could pose a choking hazard.
Make sure you have enough space to lay out the parts before starting.
Do not stand or put weight on the component parts during assembly, this could cause damage.
Assemble on a soft, level surface, to avoid damaging the unit or your floor.
Do not assemble or dismantle during strong winds.
This unit is not a permanent fixture – Do not use or leave erected in windy conditions.
Follow all safety and fire precautions when in or near this gazebo.
Please note that this gazebo is not waterproof.
Ensure the ground is level free, from debris and sharp objects that could damage the fabric. Avoid pitching under trees but make use of any nature wind breaks such as hedge rows etc. Heavy winds and rain could damage the gazebo.

Important information

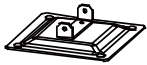
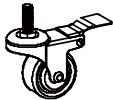

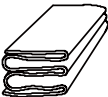
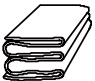


Take care when dismantling the gazebo. Follow the assembly instructions in the reverse order and do not force the frame.
Never remove the pegs by pulling on the guy ropes, fabric or gazebo legs.
Ensure all parts of the gazebo are completely dry before repacking.
Never use abrasive cleaners or detergents.
The canopy of this gazebo is not fire proof.
Do not use naked flames in or around the gazebo – there is no cooking area within the gazebo.
Do not store cooking apparatus, BBQs etc. within the gazebo as it may cause a fire hazard.
Do not smoke or allow smoking in or around the gazebo.




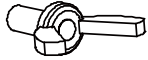


Components

NO.	PARTS	PARTS LIST	QTY PCS
A	Leg pole		4
B1	Leg pole		1
B2	Leg pole		1
C	Top pole		1
D	Top pole		1
E	Top pole		3
F	Top pole		1

NO.	PARTS	PARTS LIST	QTY PCS
G	Top pole		1
H	Support pole		1
I	Support pole		1
J	Support pole		1
K	Support pole		4
L	Sling tube		8

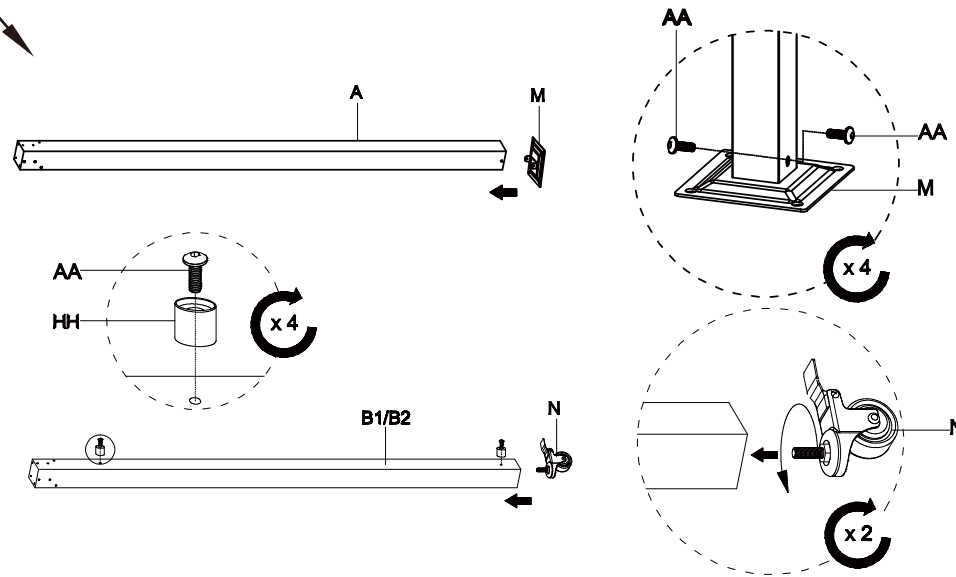
Components

NO.	PARTS	PARTS LIST	QTY PCS
M	Base plate		4
N	Wheel		2
O	Rolling bracket		4
P	Big canopy	 A large top cloth	1
Q	Small canopy	 A small top cloth	1
AA	Screw	 M6*15	138
BB	Screw	 M6*50	8

NO.	PARTS	PARTS LIST	QTY PCS
CC	Allen key	 M6	1
DD	Peg		12
EE	Metal plate		2
FF	Butterfly screw		4
GG	Washer		4
HH	Plastic washer		6

Assembly Instructions

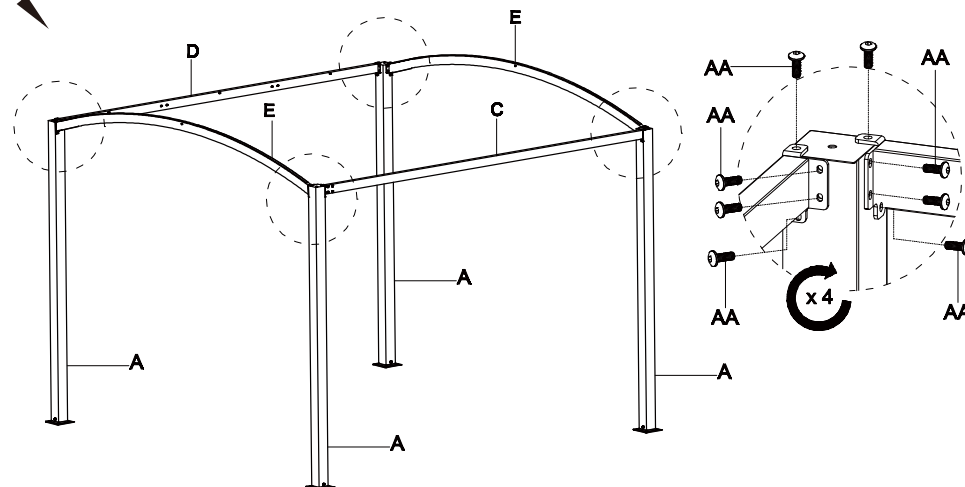
Step 1



Step 1:

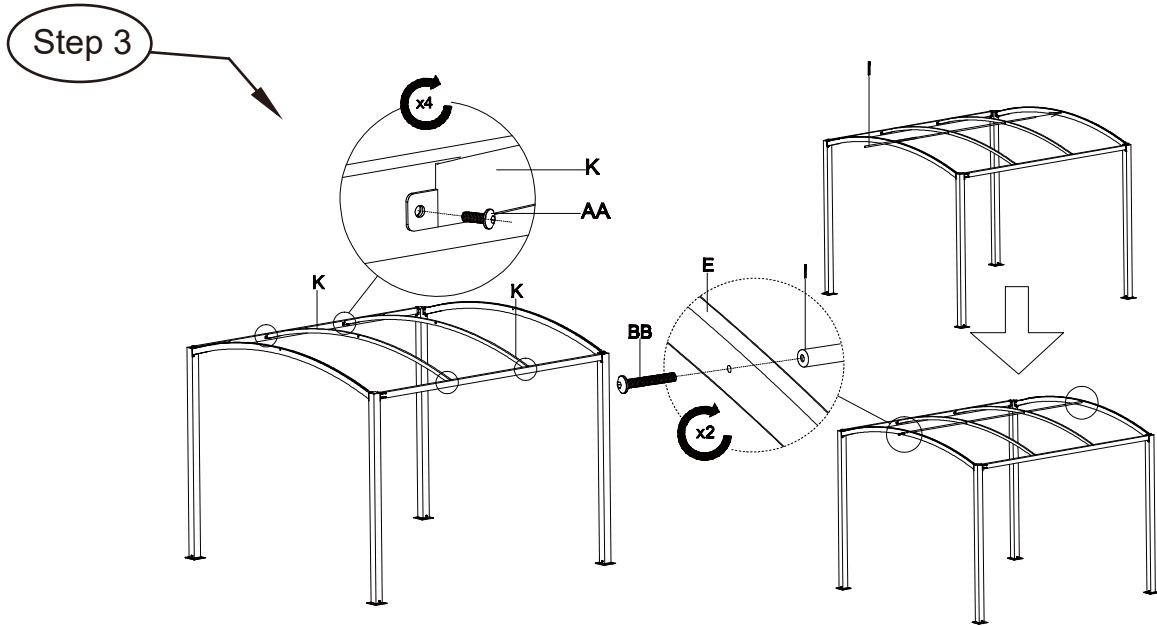
Attach the base plates (M) to the two leg poles (A). Secure using screws (AA). Then insert screws (AA) and plastic washer (HH) into the leg pole (B1/B2) as pictured. The wheels (N) can then be added to the base of the leg poles (B1/B2).

Step 2

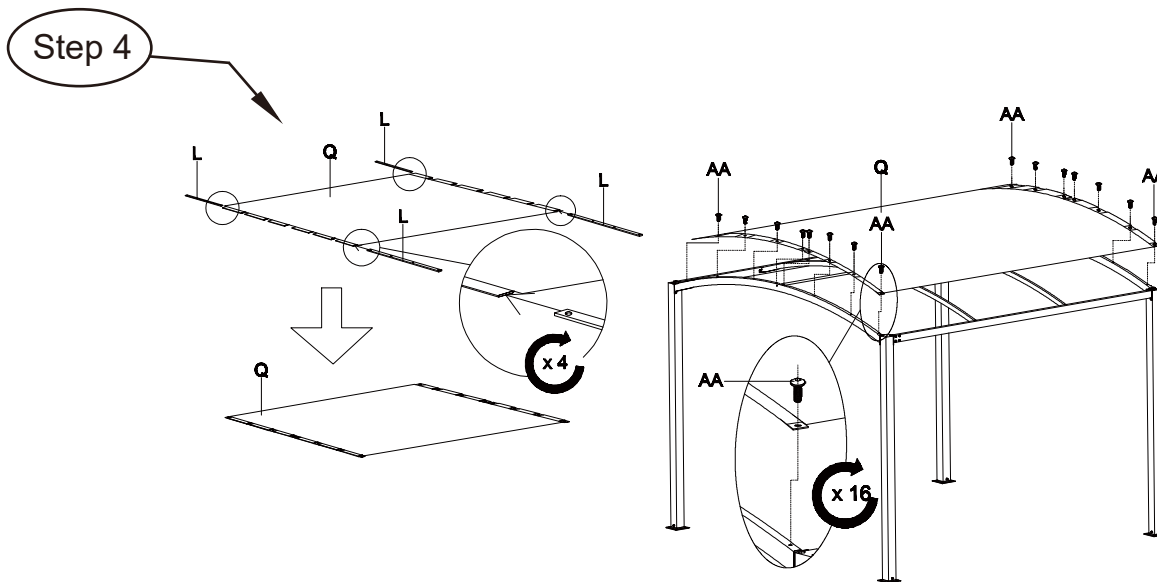


Step 2:

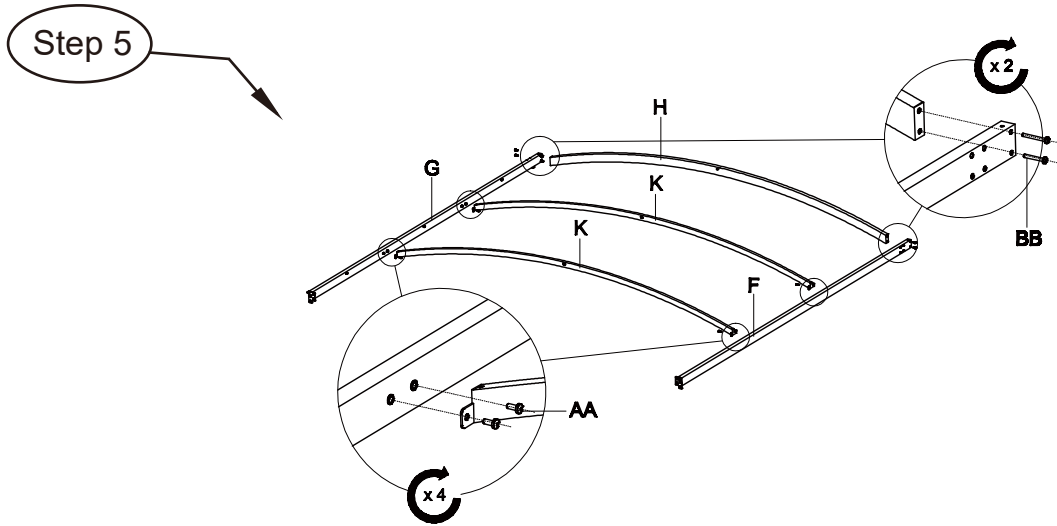
Use screws (AA) to connect two leg poles (A) with the top pole (D). Then connect each top pole (E) to the assembled frame (D & A), using screws (AA). You will now need two people to hold the frame while you attach the other leg poles (A) to the other end of the top poles (E). Secure these using screws (AA). Then connect the top pole (C) to the assembled frame with screws (AA).



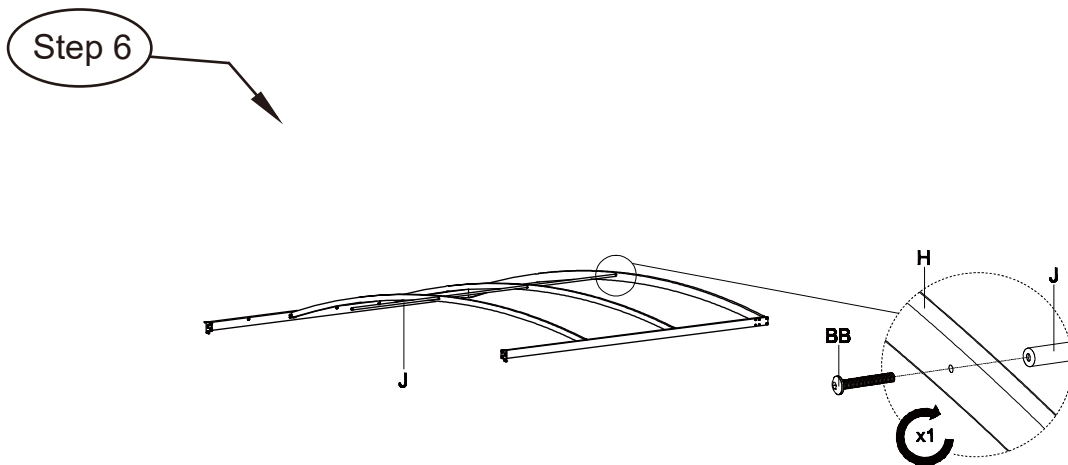
Step 3:
Secure poles (K) to the top support frames using screws (AA). Then use the screws (BB) to secure the cross poles (I) with top pole (E).



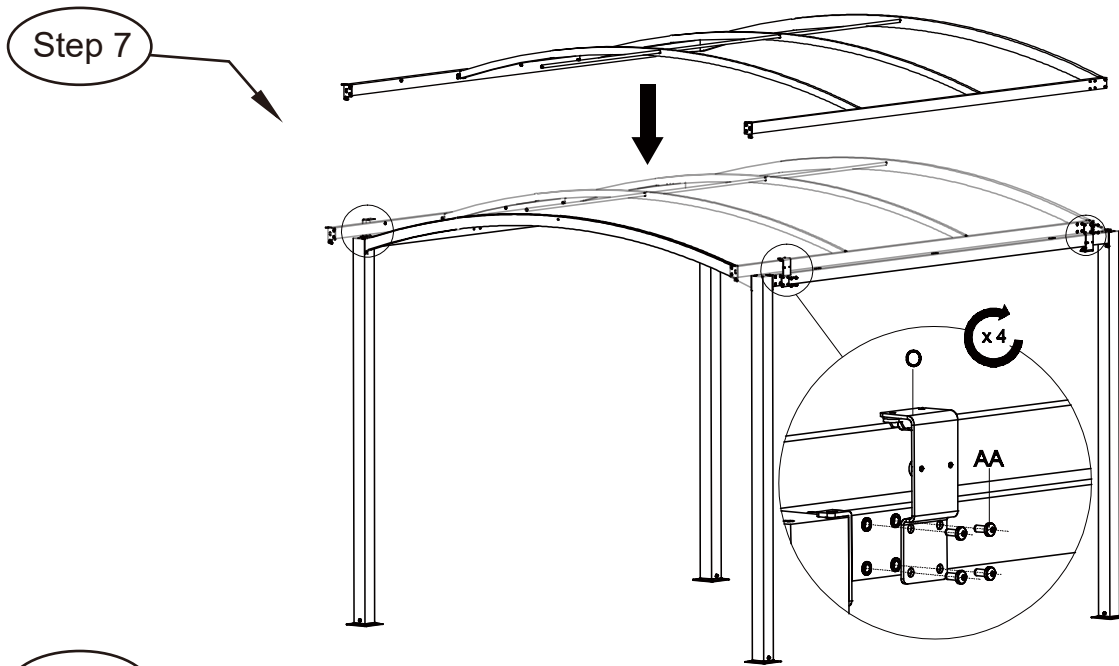
Step 4:
Insert the sling tube (L) in the small roof canopy (Q). Then use the screws (AA) to connect the roof canopy with the top support poles. Insert 2 or 3 screws on each side before securing the rest of the screws. Step ladders will be required to safely complete this step.



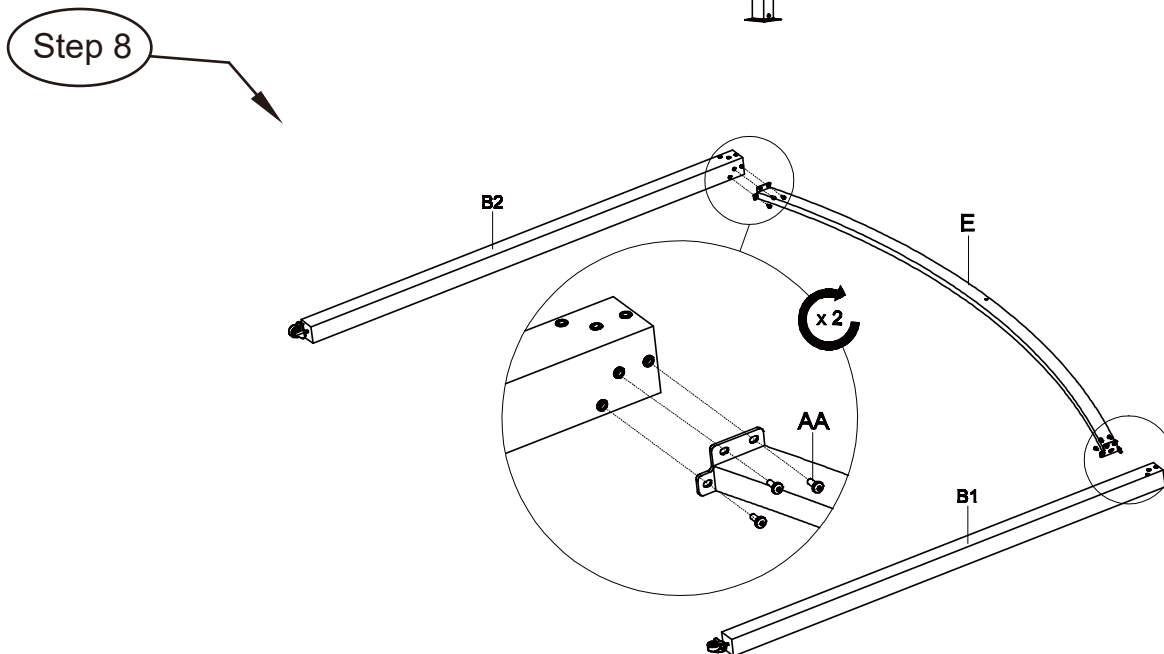
Step 5:
To assemble the second roof frame, secure pole (K) with the top poles (F & G) using screws (AA). Then use screws (BB) to connect the final support pole (H) to the top poles (F & G).



Step 6:
Use screws (BB) to connect the support pole (J) to the support pole (H).

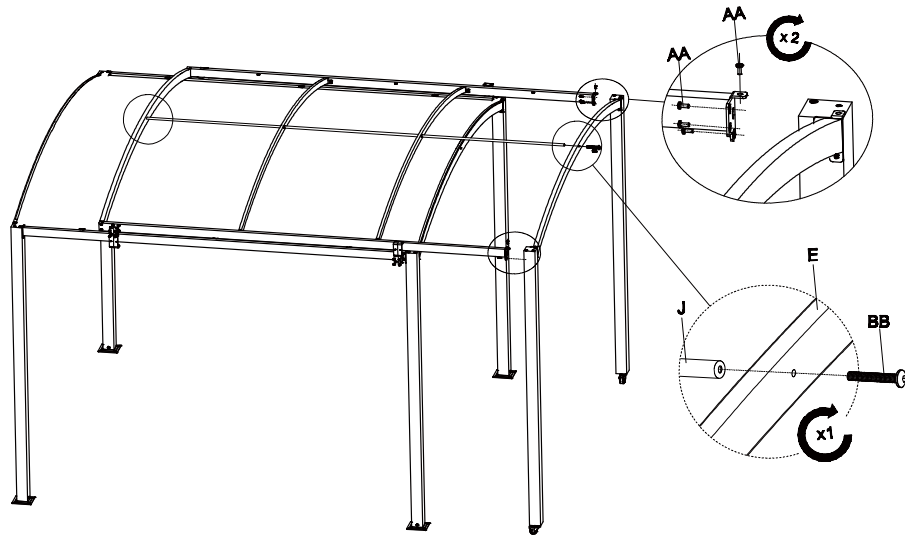


Step 7:
The second roof panel needs to be placed on top of the roof and legs assembled in the earlier steps. Attach rolling brackets (O) to the two assembled roof panels as pictured, using screws (AA).



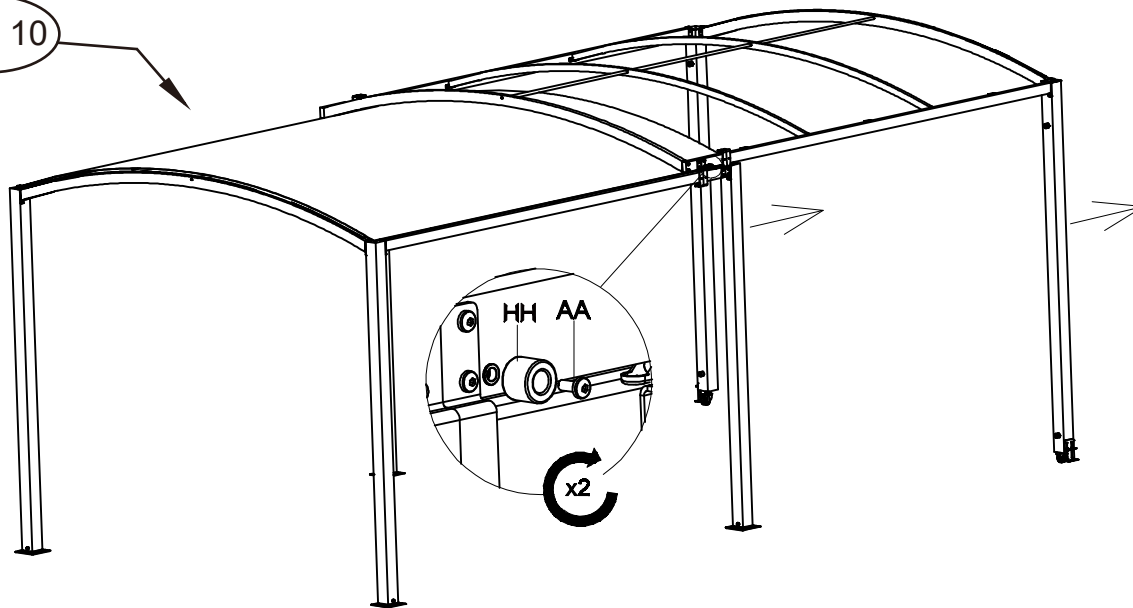
Step 8:
Connect the top pole (E) with the leg poles (B1 & B2), using screws (AA).

Step 9

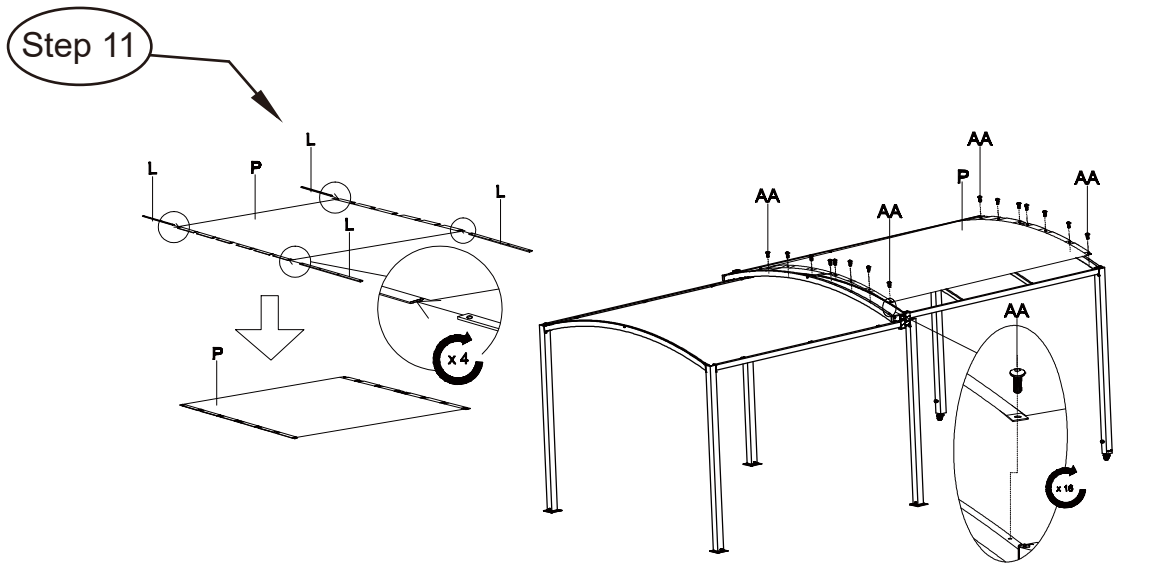


Step 9:
Connect the frame assembled in step 8 to the second roof panel using screws (AA). Then use screws (BB) to fix the support pole (J) with each end of the top pole (E).

Step 10

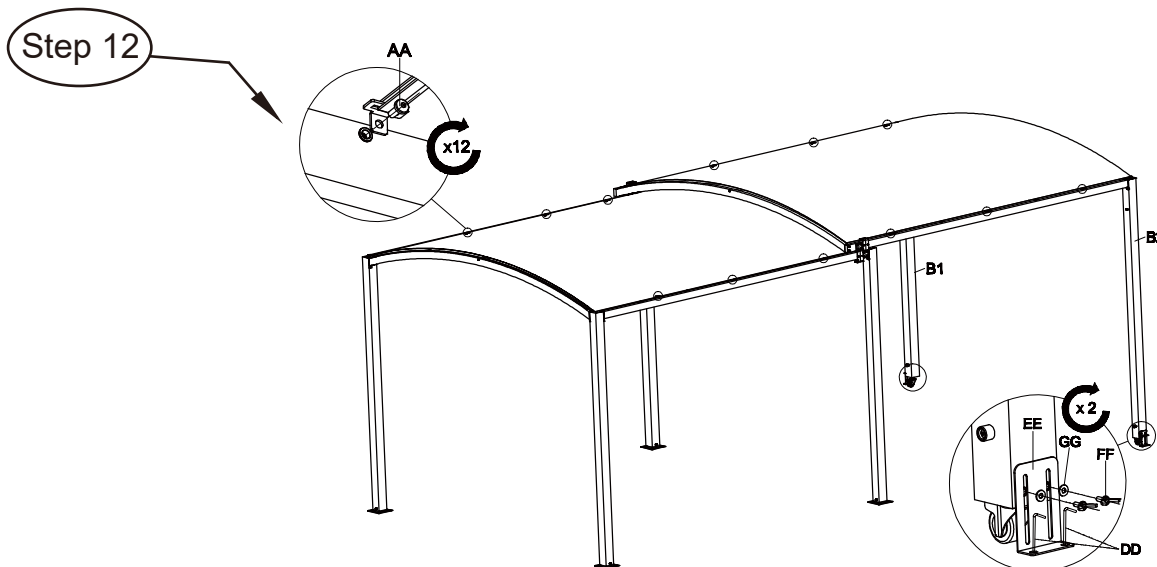


Step 10:
Expand the gazebo like the photo shown. Then insert screws (AA) and plastic washer (HH) into the top pole as pictured.



Step 11:

Insert the sling tube (L) into the large roof canopy (P). Then use the screws (AA) to connect the roof canopy with the top support poles. Insert 2 or 3 screws on each side before securing the rest of the screws. Step ladders will be required to safely complete this step.



Step 12:

Ensure all screws used to fasten down the roof canopies are tightened securely. Then attach the metal plate (EE) on the legs poles (B1 & B2) using butterfly screws (FF) and washers (GG).

When you want to expand your gazebo, unlock the wheels by releasing the brakes. Carefully expand out the roof to your desired distance and lock the wheels in place. Depending on your ground surface, you can secure the gazebo further, by hammering pegs (DD) through the metal bases (EE).