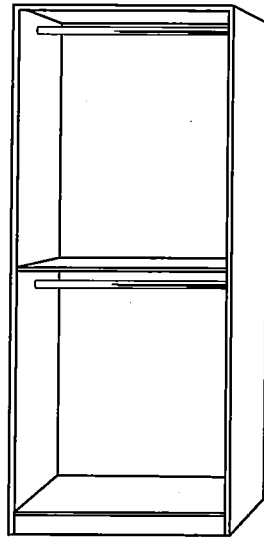


ASSEMBLY INSTRUCTIONS FOR EXECUTIVE 750



2000mm H x 750mm W x 450mm D

PARTS IDENTIFICATION LIST

SIDE GABLES - BOTTOM SECTION **A** and **E** 1035 x 445 x 16

SIDE GABLES - TOP SECTION **G** and **I** 966 x 445 x 16

TOP and BOTTOM and MIDDLE FIXED SHELVES

1 x TOP (D) 718 x 445 x 16

1 x MIDDLE (H) 718 x 445 x 16

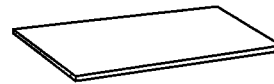
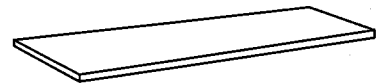
1 x BOTTOM (C) 718 x 445 x 16

1 x KICKBOARD **B** 718 x 61 x 16

BACK PANELS 1 x TOP **J** 975 x 744 x 3

1 x BOTTOM **F** 962 x 744 x 3

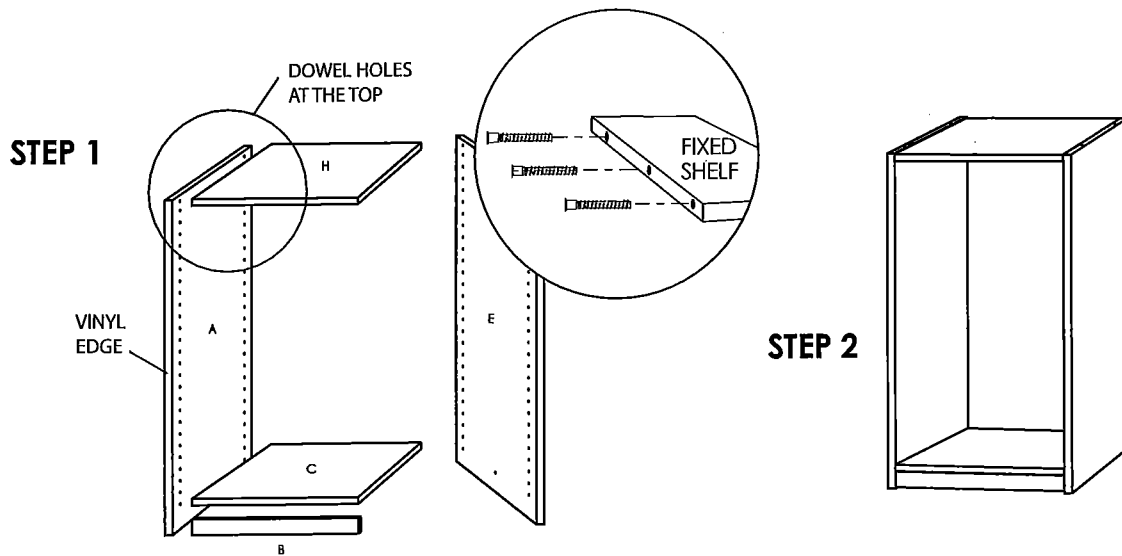
CHROME HANGING RAILS 2 x 716 x 19



HARDWARE LIST

NO	MODEL	DESCRIPTIONS	QTY
1		M50 x 5mm CONFIRMAT SCREWS	20
2		WHITE CAPS	20
3		BACKING NAILS	75
4		8mm WOODEN DOWEL	4
5		CHROME HANGING RAIL FLANGES & FITTINGS	4
6		5/8 x 6 WOOD SCREWS FIXING HANGING RAIL FLANGE	8

ASSEMBLY INSTRUCTIONS - BOTTOM SECTION



Align Fixed Shelves (C) & (H) and Kick Board (B) to Top Left Panel (A) and Right Panel (E). Tighten using M50x5mm Confirmat Screws. Cover Screws with White Caps

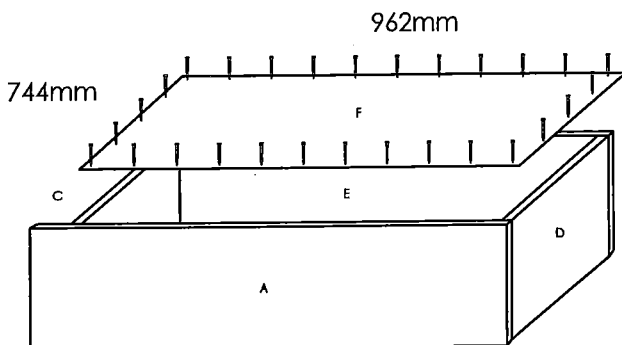
STEP 3 Fixing of the Back Panel (F) 962mm x 744mm

1. Place the front vinyl edge face down on the floor

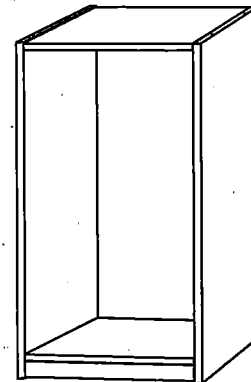
IMPORTANT

2. To ensure that the side gables (A) & (E) remain straight, start by placing the back panel (F) flush with the bottom of the fixed shelf (C) keeping the centre of side gables (A) & (E) nail (tack) at each side.

Then, keeping the back PARALLEL to the side gables nail (tack) the middle of each side, then the top. Check measure the top and middle are the same measurement. Adjust if necessary! If ok, continue by placing nails approx 100mm apart.

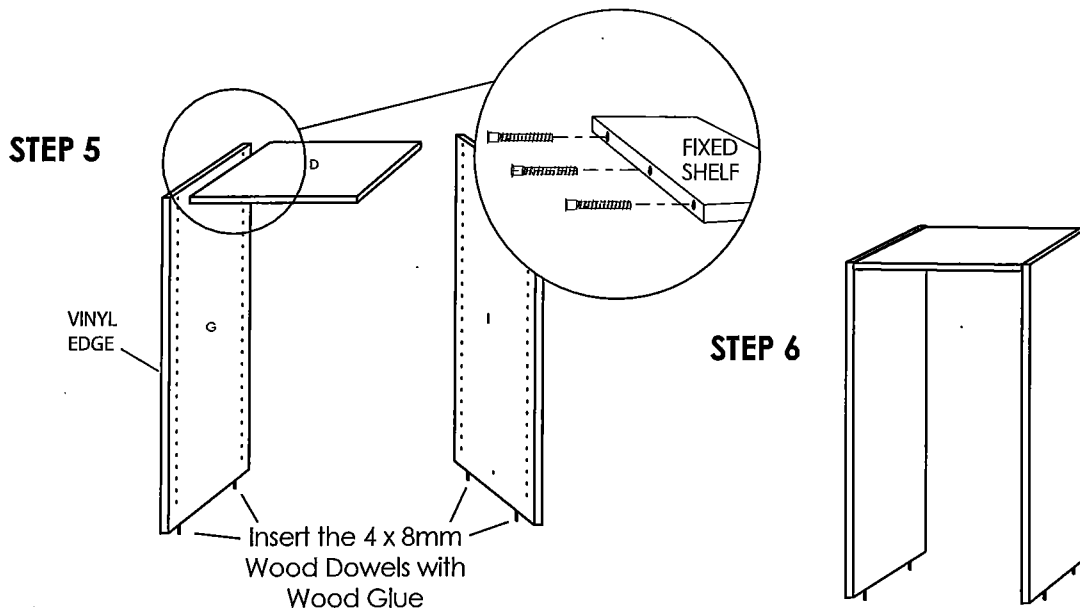


STEP 4



Bottom Section Complete

ASSEMBLY INSTRUCTIONS - TOP SECTION

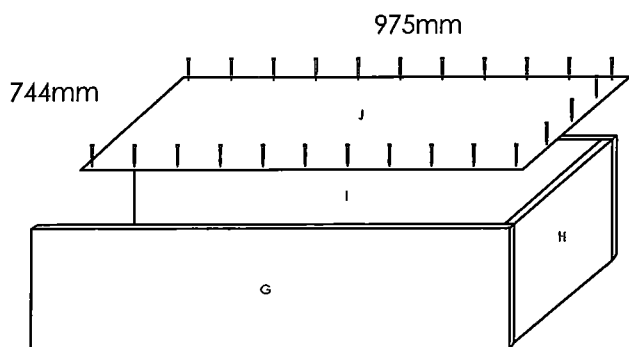


STEP 7 **Fixing of the Back Panel (J)**
975mm x 744mm

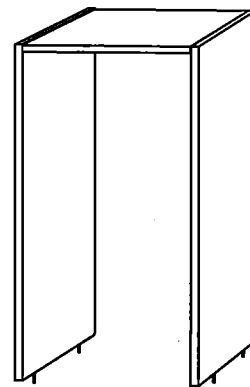
1. Place the front vinyl edge face down on the floor

IMPORTANT

2. To ensure that the side gables (G) & (I) remain straight, start by placing the back panel (J) flush with the top of the fixed shelf (D) keeping the centre of side gables (G) & (I) nail (tack) at each side. Then, keeping the back PARALLEL to the side gables nail (tack) the middle of each side, then the top. Check measure the top and middle are the same measurement. Adjust if necessary! If ok, continue by placing nails approx 100mm apart.



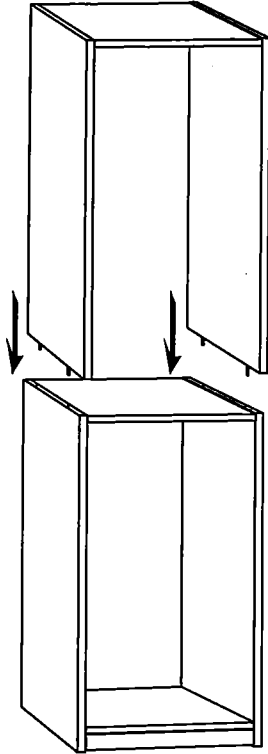
STEP 8



Top Section Complete

JOINING TOP & BOTTOM SECTIONS

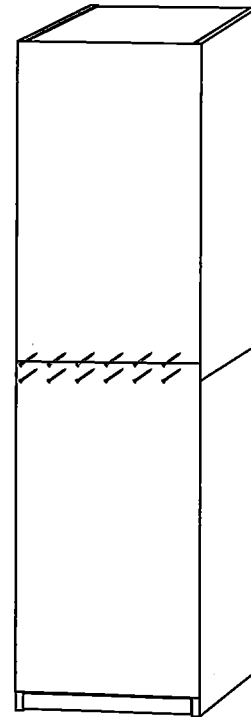
STEP 9



Place the top section over the bottom section aligning the 4 x 4 dowel holes with the 8mm holes.

Add some wood glue & push down firmly. Complete the nailing of the backs to shelf (H) while standing in the upright position.

STEP 11



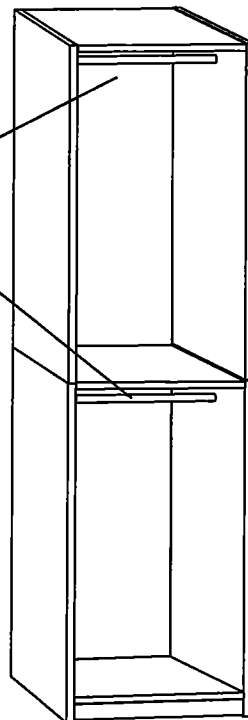
Back View

STEP 10

Fix Hanging Rail Fittings

Slide both end flanges to the middle of the hanging rail.

Position hanging rail into cabinet and slide flanges out to either end and fix with 5/8 screws



Completed