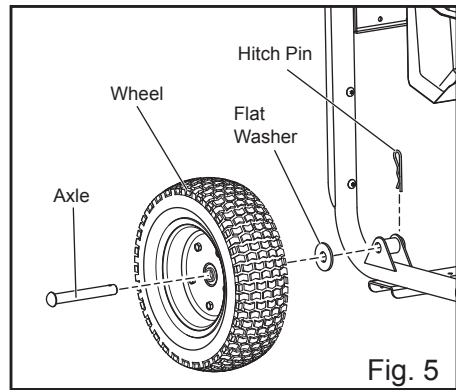
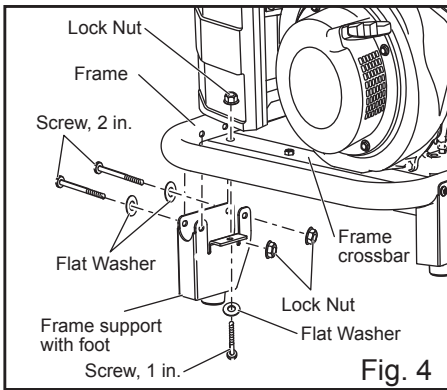
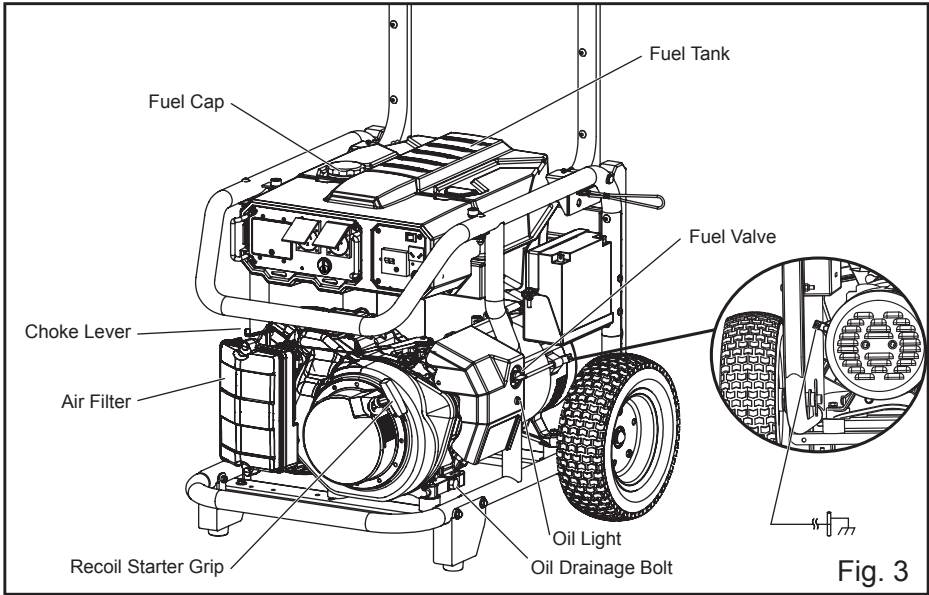
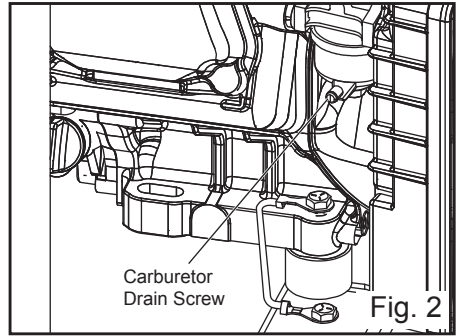
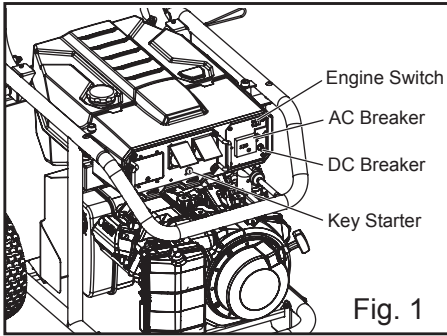


# AEG

## POWERTOOLS

**AGN6500**

Original instructions



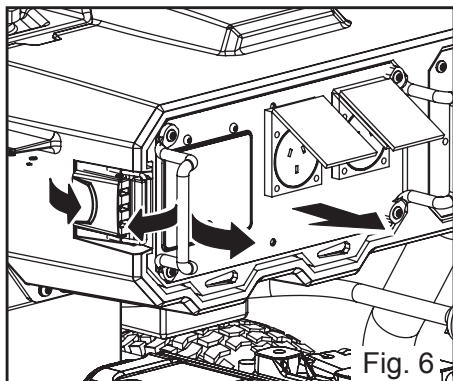


Fig. 6

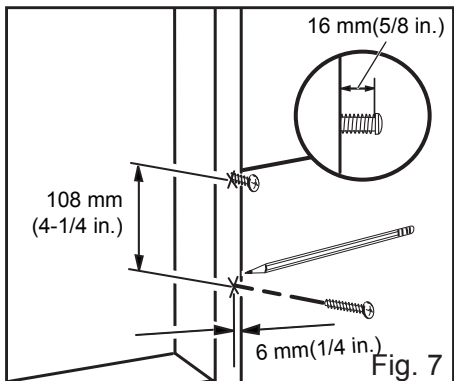


Fig. 7

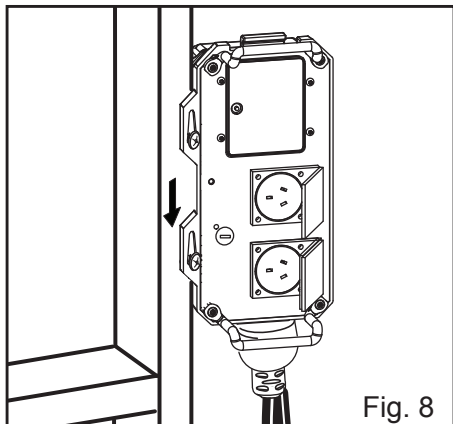


Fig. 8

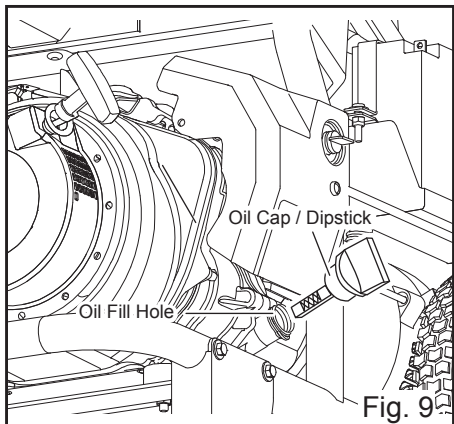


Fig. 9

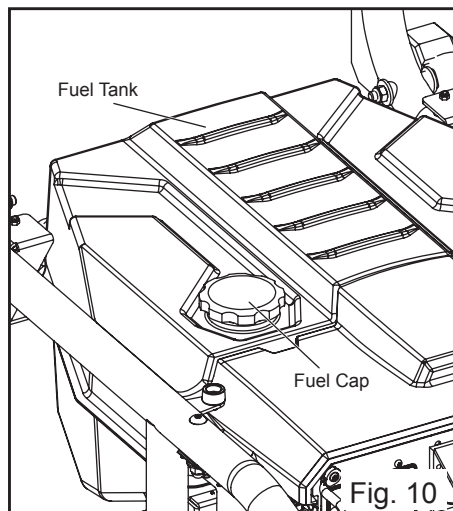


Fig. 10

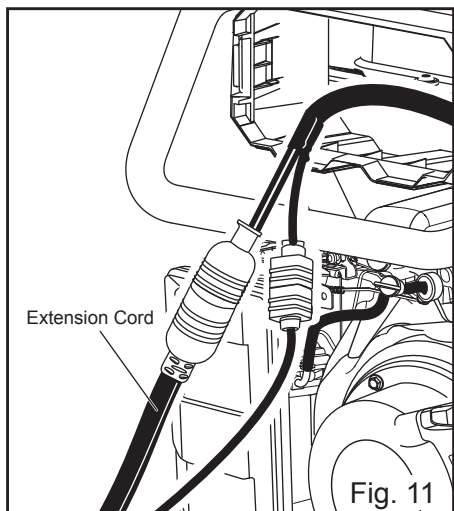
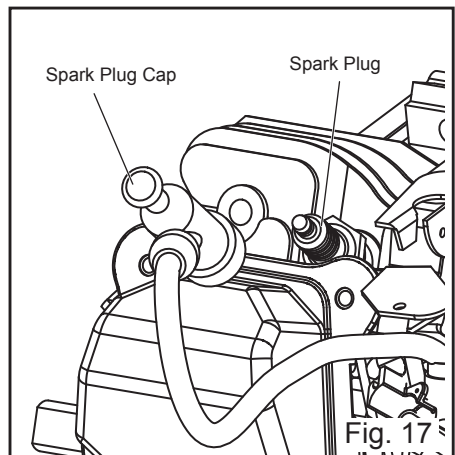
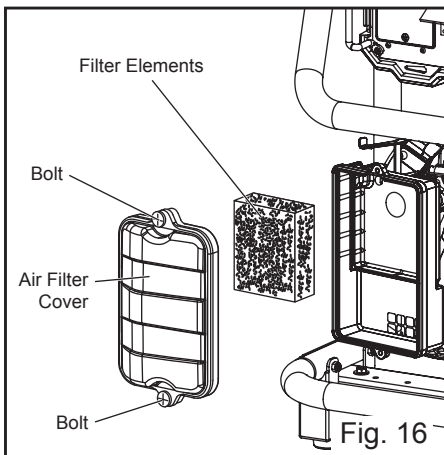
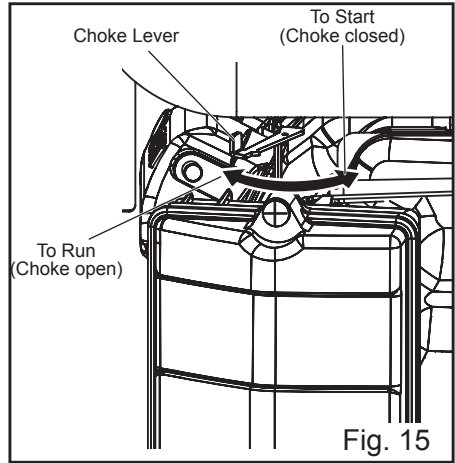
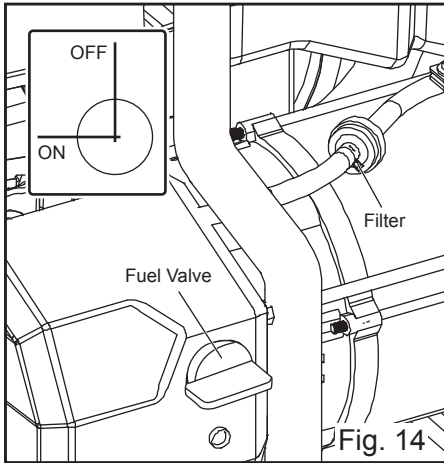
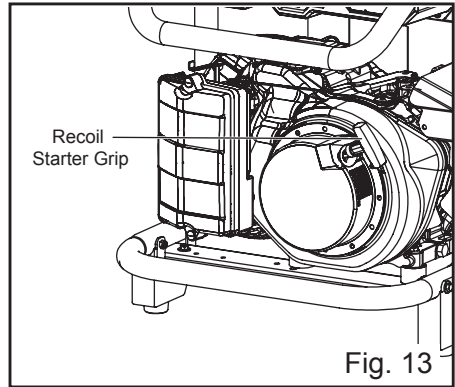
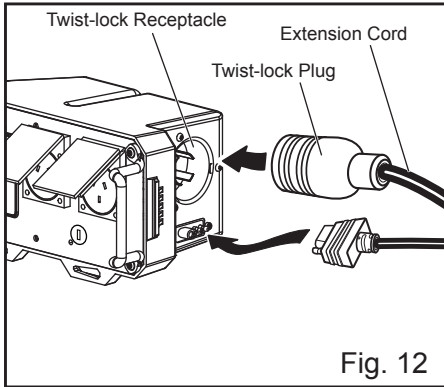


Fig. 11



## INTRODUCTION

This product has many features for making its use more pleasant and enjoyable. Safety, performance, and dependability have been given top priority in the design of this product, making it easy to maintain and operate.



### DANGER

#### Grounding the Generator

See Figure 3.

In Australia and New Zealand, grounding of portable generators is not recommended or required. Consult with local electricians to determine grounding requirements before operating with a ground connection.

## GENERAL SAFETY RULES



### WARNING:

Read and understand all instructions. Failure to follow all instructions listed below may result in electrocution, fire, and/or carbon monoxide poisoning, which will cause death or serious injury.



### WARNING:

**When this generator is used to supply a building wiring system:** the generator must be installed by a qualified electrician and connected to a transfer switch as a separately derived system in accordance with Australian Wiring Rules. The generator shall be connected through a transfer switch that switches all conductors other than the equipment grounding conductor. The frame of the generator shall be connected to an approved grounding electrode. Failure to isolate the generator from power utility can result in death or injury to electric utility workers.

## Save these instructions

This manual contains important instructions that should be followed during installation and maintenance of the generator and batteries.

- Do not allow children or untrained individuals to use this unit.
- Never start or run the engine inside a closed or partially enclosed area. Breathing exhaust fumes will kill you.
- Wear eye protection as well as hearing protection when operating this equipment.
- Keep all bystanders, children, and pets at least 3 m away.
- Wear sturdy and dry shoes or boots. Do not operate while barefoot.
- Do not operate the generator when you are tired or under the influence of drugs, alcohol, or medication.
- Keep all parts of your body away from any moving parts and all hot surfaces of the unit.
- Product users in some areas are required to comply with fire prevention regulations. Check with the local authorities in your area before use.
- Do not touch bare wire or receptacles.
- Do not use the generator with electrical cords which are worn, frayed, bare, or otherwise damaged.
- Before storing, allow the engine to cool.
- Do not operate the generator in rain, snow, or wet weather

- Empty fuel tank, close fuel valve, and restrain the unit from moving before transporting in a vehicle.
- Allow engine to cool for five minutes before refueling.
- To reduce the risk of fire and burn injury, handle fuel with care. It is highly flammable.
- Do not smoke while handling fuel.
- Store fuel in a container approved for unleaded fuel.
- Position the unit on level ground, stop engine, and allow to cool before refueling.
- Loosen fuel cap slowly to release pressure and to keep fuel from escaping around the cap.
- Tighten the fuel cap securely after refueling.
- Wipe spilled fuel from the unit.
- Never attempt to burn off spilled fuel under any circumstances.
- Use only authorised replacement parts and accessories and follow instructions in the Maintenance section of this manual. Use of unauthorised parts or failure to follow Maintenance instructions may create a risk of shock or injury.
- Maintain the unit per maintenance instructions in this Operator's Manual.
- Inspect the unit before each use for loose fasteners, fuel leaks, etc. Replace damaged parts.
- Generators vibrate in normal use. During and after the use of the generator, inspect the generator as well as extension cords and power supply cords connected to it for damage resulting from vibration. Have damaged items repaired or replaced as necessary. Do not use plugs or cords that show signs of damage such as broken or cracked insulation or damaged blades.

## SPECIFIC SAFETY RULES


- Exhaust contains poisonous carbon monoxide, a colourless, odourless gas. Breathing exhaust can cause loss of consciousness and can lead to death. If the generator is running in a confined or partially-enclosed area, the air may contain a dangerous amount of carbon monoxide. To keep exhaust fumes from building up, always provide adequate ventilation.
- Always use a battery-powered carbon monoxide detector when running the generator. If you begin to feel sick, dizzy, or weak while using the generator, shut it off and get to fresh air immediately. See a doctor. You may have carbon monoxide poisoning.
- Place the generator on a flat, stable surface with a slope of no more than 4°.
- Operate in a well-ventilated, well-lit area isolated from working areas to avoid noise interference.
- Operating the generator in wet conditions could result in electrocution. Keep the unit dry.
- Keep the generator a minimum of 1 m away from all types of combustible material.
- Do not operate the generator near hazardous material.
- Do not operate the generator at a gas or natural gas filling station.
- Do not touch the muffler or cylinder during or immediately after use; they are HOT and will cause burn injury.





- Do not connect to a building's electrical system unless a transfer switch has been properly installed by a qualified electrician.
- Do not allow the generator's fuel tank to overflow when filling. Fill to 25 mm below the top neck of the unleaded fuel tank to allow for fuel expansion. Check the ventilation hole inside the fuel tank cap for debris. Do not block the vent.
- Do not smoke when filling the generator with unleaded fuel.
- Allow the engine to remain in a shut-down condition for at least five minutes before adding unleaded fuel or oil.
- Do not remove the oil dipstick or the fuel tank cap when the engine is running.
- Pay close attention to all safety labels located on the generator.
- Keep children a minimum of 3 m (10 ft.) away from the generator at all times.
- The unit operates best in temperatures between 5°C and 40°C with a relative humidity of 30-95%.
- Do not operate the generator at altitudes above 1,000 m.
- When using extension lines or mobile distribution networks the total length of lines for a cross section of 1.5 mm<sup>2</sup> should not exceed 60 m; for a cross section of 2.5 mm<sup>2</sup> this should not exceed 100 m.
- The generating set must not be connected to other power sources.
- Save these instructions. Refer to them frequently and use them to instruct others who may use this tool. If you loan someone this tool, loan them these instructions also.

**SERVICE**

Servicing requires extreme care and knowledge and should be performed only by a qualified service technician. For service, contact your nearest authorised service centre for repair. When servicing, use only identical replacement parts.

**WARNING:**  
 Observe all normal safety precautions to avoid electrical shock.













**DANGER:**  
 To avoid death or serious personal injury, do not attempt to operate this product until you read thoroughly and understand completely the operator's manual. If you do not understand the warnings and instructions in the operator's manual, do not use this product. Call your nearest authorised service centre for assistance.

**WARNING:**  
 The operation of any products can result in foreign objects being thrown into your eyes, which can result in severe eye damage. Before beginning power tool operation, always wear safety goggles or safety glasses with side shields and, when needed, a full face shield. We recommend Wide Vision Safety Mask for use over eyeglasses or standard safety glasses with side shields. Always wear eye protection.


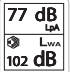
**Save these instructions**

**SYMBOLS**




Some of the following symbols may be used on this tool. Please study them and learn their meaning. Proper interpretation of these symbols will allow you to operate the tool better and safer.

SYMBOL	DESIGNATION/EXPLANATION
V	Voltage
A	Current
Hz	Frequency (cycles per second)
W	Power
hrs	Time
litre	Volume
ml	Volume
cc	Volume
	Do not expose to rain or use in damp locations.
	To reduce the risk of injury, the user must read and understand the operator's manual before using this product.
	Always wear safety goggles or safety glasses with side shields and, as necessary, a full face shield and hearing protection when operating this product.
	Precautions that involve your safety.
	Failure to use in dry conditions and to observe safe practices can result in electric shock.
	Running the generator gives off carbon monoxide, an odorless, colorless, poison gas. Breathing carbon monoxide can cause nausea, fainting, or death.
	Fuel and its vapours are extremely flammable and explosive. Fire or explosion can cause severe burns or death.
	To reduce the risk of injury or damage, avoid contact with any hot surface.
	Beware of electric shock level.
	Fuel and its vapors are explosive and can cause severe burns or death.
	Consult with local electrician to determine grounding requirements before operation.
	Add lubricant to full mark to start. Engine will not start or will shut off if lubricant is too low.



	Turn the fuel valve to the on or off position.
	The guaranteed sound pressure level (7m) is shown on this label by 77 dB. The guaranteed sound power level is shown on this label by 102 dB.

The following signal words and meanings are intended to explain the levels of risk associated with this product.

SYMBOL	SIGNAL	MEANING
	<b>DANGER:</b>	Indicates an imminently hazardous situation, which, if not avoided, will result in death or serious injury.
	<b>WARNING:</b>	Indicates a potentially hazardous situation, which, if not avoided, could result in death or serious injury.
	<b>CAUTION:</b>	Indicates a potentially hazardous situation, which, if not avoided, may result in minor or moderate injury.
	<b>CAUTION:</b>	(Without Safety Alert Symbol) Indicates a situation that may result in property damage.

## ELECTRICAL

### GENERATOR CAPACITY

Make sure the generator can supply enough continuous (running) and surge (starting) watts for the items you will power at the same time. Follow these simple steps.

1. Select the items you will power at the same time.
2. Total the continuous (running) watts of these items. This is the amount of power the generator must produce to keep the items running. See the wattage reference chart at right.
3. Estimate how many surge (starting) watts you will need. Surge wattage is the short burst of power needed to start electric motor-driven tools or appliances such as a circular saw or refrigerator. Because not all motors start at the same time, total surge watts can be estimated by adding only the item(s) with the highest additional surge watts to the total rated watts from step 2.

#### Example:

Tool or Appliance	Continuous (Running) Watts	Additional Surge (Starting) Watts
CD Player	100	0
Space Heater	1800	0
Drill 1/2 HP	600	300
Light Bulb	75	0
	2575 Total Running Watts	300 Surge Watts

Total Continuous (Running) Watts	2575
Plus Additional Surge Watts	+300
Equals Total Generator Output Required (to start all items simultaneously)	2875

### POWER MANAGEMENT

To prolong the life of the generator and attached devices, it is important to take care when adding electrical loads to the generator. There should be nothing connected to the generator outlets before starting its engine. The correct and safe way to manage generator power is to sequentially add loads as follows:

1. With nothing connected to the generator, start the engine as described later in this manual.
2. Plug in and turn on the first load, preferably the largest load you have.
3. Permit the generator output to stabilise (engine runs smoothly and attached device operates properly).
4. Plug in and turn on the next load.
5. Again, permit the generator to stabilise.
6. Repeat steps 4 and 5 for each additional load.

Never add more loads than the generator capacity. Take special care to consider surge loads in generator capacity as previously described.



#### CAUTION:

Do not overload the generator's capacity. Exceeding the generator's wattage/ampere capacity can damage the generator and/or electrical devices connected to it.

Tool or Appliance	Typical Continuous* (Running) Watts	Typical Surge (Starting) Watts
<b>Essentials</b>		
Light Bulb - 75 Watt	75	75
Refrigerator/Freezer	700	2200
Sump Pump - 1/2 HP	1050	2200
Water Well Pump - 1/3 HP	1000	1500
Electric Water Heater	4000	4000
<b>Heating/Cooling</b>		
Furnace Fan - 1/2 HP	800	2350
Window AC - 10,000 BTU	1200	1800
Space Heater	1800	1800
<b>Kitchen</b>		
Microwave Oven - 1000 Watt	1000	1000
Coffee Maker	1000	1000
Electric Stove - Single Element	2100	2100
Toaster Oven	1200	1200
<b>Family Room</b>		
VCR	100	100
CD/DVD Player	100	100
Stereo Receiver	450	450
Colour Television - 27 in.	500	500
<b>Other</b>		
Security System	500	500
Curling Iron	1500	1500

Garage Door Opener – 1/2 HP	875	2350
Hair Dryer	1250	1250
<b>DIY/Job Site</b>		
Quartz Halogen Work Light	1000	1000
Airless Sprayer – 1/3 HP	600	1200
Reciprocating Saw	960	1400
Electric Drill – 1/2 HP	600	900
Circular Saw – 7-1/4 in.	1400	2300
Mitre Saw – 10 in.	1800	2900
Planer/Joiner – 6 in.	1800	1800
Table Saw/Radial Arm Saw – 10 in.	2000	3000
Air Compressor – 1 HP	1600	4500

\*Wattages listed are approximate. Check tool or appliance for actual wattage.

## SPECIFICATIONS

Generator	
Product Weight (kg)	115
Product dimensions	
Width (mm)	800
Length (mm)	800
Height - Length-folded (mm)	700
Height - Length-open (mm)	1350
AC output	
AC Frequency (Hz)	50
AC Output Voltage (V)	240
Rated AC Output (W)	5,200
Rated Current (A)	21.67
Circuit Breaker (A)	25
Power Factor	1.0
DC output	
Volts	12
Amps	8.3
12V DC Circuit Breaker Circuit (A)	9.2
Engine	
Engine Number	Yamaha MZ360
Engine Type	4-Stroke; air-cooled OHV; unleaded fuel
Bore x Stroke	85 x 63
Displacement (cc)	357
Starting System	DC Start or Recoil
Fuel Type	Regular unleaded fuel
Lubrication Oil	SAE 10W-30
Engine Oil Volume (l)	1.1
Fuel Tank Capacity (l)	30
Full Load (h)	9
Half Load (h)	13
Uncertainty dB	2

Noise Level (4m) LpA dB (A)	82
Noise Level (7m) LpA dB (A)	77
Noise Level LwA dB (A)	102
RCD	
Voltage (V)	240
Fault Current Rating (A)	25
Trip Current Rating (mA)	30
Trip Time Rating (s)	0.05

If any of the labels come off the unit or become hard to read, contact the authorised service centre for replacement.

## FEATURES

### KNOW YOUR GENERATOR

See Figure 3.

The safe use of this product requires an understanding of the information on the product and in this operator's manual as well as a knowledge of the project you are attempting. Before use of this product, familiarise yourself with all operating features and safety rules.

### AC CIRCUIT BREAKER

The circuit breaker is provided to protect the generator against electrical overload and can be used to turn the generator's electrical power on or off.

### AIR FILTER

The air filter helps to limit the amount of dirt and dust drawn into the unit during operation.

### CHOKE LEVER

The choke lever is used when starting the engine.

### ENGINE SWITCH

The engine switch is used in combination with the recoil starter grip to start the generator. It is also used to turn the generator off.

### FUEL TANK

30 litres

### FUEL VALVE

The flow of fuel through the generator is controlled by the position of the fuel valve.

### GROUND TERMINAL

The ground terminal is used to assist in properly grounding the generator to help protect against electrical shock. Consult with a local electrician for grounding requirements in your area.

### OIL LIGHT

The oil light is an indicator for the oil level. When the oil level is too low, the oil light will flash in red.

### OIL DRAINAGE BOLT

When changing the engine oil, the oil drainage bolt is loosened to allow old engine oil to be drained.

### OIL CAP/DIPSTICK

Remove the oil fill cap to check and add oil to the generator when necessary.



## RECEPTACLES

Your generator has the following single phase, 50 Hz outlets: two 240 Volt AC, 15 Amp receptacle. These can be used for operating appropriate appliances, electrical lighting, tools, and motor loads.

## RECOIL STARTER GRIP

The recoil starter grip is used (along with the engine switch) to start the generator's engine.

## DC ADAPTER

The DC power adapter may only be used for powering 12 volt rate appliance.

## DC CIRCUIT PROTECTOR

The DC circuit protector automatically shuts off the circuit when the DC output is overloaded or when there is a problem with the connections between the appliance and the generator are improper.

## BATTERY

12 V, 12 AH battery is used for electric starting.

## GenSmart MONITORING SYSTEM

The GenSmart monitoring system tracks usage and load and alerts the operator when periodic engine maintenance is recommended.

## RESIDUAL CURRENT DEVICE (RCD)

A safety switch to disconnect power to the AC outlets if a 30 mA or greater current difference occurs between the active and neutral. Press the test button after starting the generator and closing the AC breaker and RCD. Both should trip off.

## ASSEMBLY

### UNPACKING

This product has not been shipped completely assembled. Wheel and foot assembly are required.

- Remove one end of the box and carefully slide out the generator and any accessories.

**NOTE:** The generator is heavy. If you must lift the unit out of the box, get another person to help you and lift with your legs, not your back.

- Inspect the unit carefully to make sure no damage occurred during shipping.
- Do not discard the packing material until you have carefully inspected and satisfactorily operated the product.
- If any parts are damaged or missing, please contact your nearest authorised service centre for assistance.

### PACKING LIST

Generator	Spark plug wrench
Oil bottle/Oil funnel	Wheels / Legs
Operator's manual	Fasteners

#### **WARNING:**

If any parts are damaged or missing do not operate this product until the parts are replaced. Failure to heed this warning could result in serious personal injury.

### INSTALLING THE LEGS

See Figure 4.

- Locate the following items:
  - 2 legs with rubber feet
  - 6 flat washers
  - 6 lock nuts
  - 4 screws (51 mm (2 in.))
  - 2 screws (25 mm (1 in.))
- Raise the front end of the generator, where the engine is located, high enough to gain access to the frame bottom; securely position props underneath to support.
- Position a leg over the holes on each side of the frame support.
- Insert each 51 mm (2 in.) screw through a flat washer and insert the screws through the two holes in the frame and the leg.
- Fasten the screws by installing a self-locking nut over each screw on the inside of the frame. Tighten the nut securely.
- Insert a 25 mm (1 in.) screw through a flat washer, the hole in the frame crossbar, and then through the hole in the leg tab. Install a self-locking nut and tighten to secure.
- Repeat with remaining leg.

### INSTALLING THE WHEELS

See Figure 5.

Wheels are provided to assist in moving the generator to the desired location and should be installed on the side opposite the recoil starter.

- Locate the following items:
  - 2 axles
  - 2 washers (16 mm (5/8 in.))
  - 2 hitch pins
  - 2 wheels

### CONNECTING BATTERY

The battery cables must be connected before the electric start feature of the generator can be operated.

- Connect the red wire to the positive (+) terminal first, then connect the black wire to the negative (-) terminal using the bolts, nuts, and washers provided. Make sure all connections are tight.

**NOTE:** Be careful not to short across the terminals when installing. Shorting the terminals together can cause sparks, damage to the battery or generator, or even burns or explosions.

- Cover the terminals with the rubber covers.

**When removing the battery for replacement:** remove the nut and bolt first from the negative (black) post, then from the positive (red) post, being careful not to short across the terminals. Always abide by the safety warnings provided with the battery. Remove the battery and dispose of according to local and state regulations.

#### **WARNING:**

To reduce the risk of electrocution or explosion, do not short circuit the battery terminals or charge in a sealed container. Keep sparks and flame away.

#### **WARNING:**

Keep metal objects away from the battery terminals. Metal objects can make a connection from one terminal to another. Shorting the battery terminals together could cause sparks, burns, or a fire.



## REMOVABLE CONTROL PANEL

See Figure 6.

To detach the removable control panel from the generator:

- Turn off the generator.
- Loosen the latch on the removable control panel and pull the control panel forward.
- Disconnect the twist-lock plug and the 12V engine control connector on the back of the control panel.

## INSTALLING A WALL MOUNT FOR THE REMOVABLE CONTROL PANEL

See Figures 7-8.

The removable control panel can be removed from the generator and wall-mounted in another location before re-connecting it to the generator.

To wall-mount the removable control box:

- Screws or nails for hanging the box should be spaced 108 mm (4-1/4 in.) from center to center.
- Mark the 108 mm (4-1/4 in.) measurement on a wall stud or other sturdy wood surface.
- Drill holes and insert the screws; tighten the screws securely into the wood. If using nails, the nail head should be large enough to hold the control panel securely.  
**NOTE:** There should be at least 16 mm (5/8 in.) of the screw or nails protruding from the wood piece for hanging the box.
- Hang the box on the screws or nails, making certain it is secure.



### WARNING:

Do not attempt to modify this tool or create accessories not recommended for use with this tool. Any such alteration or modification is misuse and could result in a hazardous condition leading to possible serious personal injury.

## OPERATION



### DANGER:

**Carbon Monoxide.** Using a generator indoors WILL KILL YOU IN MINUTES.

Generator exhaust contains high levels of carbon monoxide (CO), a poisonous gas you cannot see or smell. If you can smell the generator exhaust, you are breathing CO. But even if you cannot smell the exhaust, you could be breathing CO.

- Never use a generator inside homes, garages, crawlspaces, or other partly enclosed areas. Deadly levels of carbon monoxide can build up in these areas. Using a fan or opening windows and doors does NOT supply enough fresh air.
- ONLY use a generator outdoors and far away from open windows, doors, and vents. These openings can pull in generator exhaust.

Even when you use a generator correctly, CO may leak into the home. ALWAYS use a battery-powered or battery-backup CO alarm in the home.

If you start to feel sick, dizzy, or weak after the generator has been running, move to fresh air RIGHT AWAY. See a doctor. You could have carbon monoxide poisoning.



### WARNING:

Do not allow familiarity with tools to make you careless.

Remember that a careless fraction of a second is sufficient to inflict serious injury.



### WARNING:

Do not use any attachments or accessories not recommended by the manufacturer of this product. The use of attachments or accessories not recommended can result in serious personal injury.

## APPLICATIONS

This generator is designed to supply electrical power for operating compatible electrical lighting, appliances, tools, and motor loads.

## BEFORE OPERATING THE UNIT

Position the generator on a flat surface before checking fluid levels or adding fluid.



### CAUTION:

Attempting to start the engine before it has been properly filled with oil will result in equipment failure.

## CHECKING/ADDING OIL

See Figure 9.

Engine oil has a major influence on engine performance and service life. For general, all-temperature use, SAE 10W-30 is recommended. Always use a 4-stroke motor oil that meets or exceeds the requirements for API service classification SJ.

**NOTE:** Non-detergent or 2-stroke engine oils will damage the engine and should not be used.

**NOTE:** The oil light will flash in red when the oil level is too low.

- Unscrew the oil cap/dipstick and remove.
- Wipe dipstick clean and re-seat in hole; do not re-thread.
- Remove dipstick again and check oil level. Oil level should fall within the level indicator area on the dipstick.
- If level is low, add engine oil until the fluid level rises to the upper portion of the level indicator area on the dipstick.
- Replace and secure the oil cap/dipstick.

## CHECKING/ADDING FUEL

See Figure 10.

- Stop the engine. Remove the fuel cap, check remaining fuel. If fuel is needed, continue with next step.
- Fill the fuel tank to 25 mm below the top of the fuel neck.
- Replace and secure the fuel cap.

**NOTE:** Always use unleaded gasoline with a pump octane rating of 90 or higher. Never use old, stale, or contaminated unleaded fuel, and do not use an oil/gas mixture. Do not allow dirt or water into the fuel tank.

## USING FUEL STABILISER

Fuel gets old, oxidizes, and breaks down over time. Adding a fuel stabiliser extends the usable life of fuel and helps prevent deposits from forming that can clog the fuel system. Follow fuel stabiliser manufacturer's directions for correct ratio of stabiliser to fuel.

- Add stabiliser to fuel tank, then fill with unleaded fuel following previous instructions.

**NOTE:** Fuel stabiliser and unleaded fuel can be mixed prior to filling the tank by using a gas can or other approved fuel container and shaking gently to combine.

- Replace and secure the fuel tank cap.



- Start and run the engine for at least 5 minutes to allow stabiliser to treat the entire fuel system.

## OXYGENATED FUELS

### DO NOT USE E10 or E85 FUEL. IT WILL VOID YOUR WARRANTY.

**NOTE:** Some conventional petrol are blended with alcohol or an ether compound. This type of petrol is collectively referred to as oxygenated fuel; in Australia known as Ethanol. The use of ethanol fuel, or fuels containing ethanol is not recommended for this product.



#### CAUTION:

On a level surface with the engine off, check the oil level before each use of the generator.

## AC OPERATION

- Unplug all loads from the generator.
- Switch the AC circuit breakers to the OFF (O) position.
- Start the engine. (refer to "STARTING THE ENGINE" section)
- Switch the AC circuit breakers to the ON ( I ) position.
- Plug in the appliance.

## DC OPERATION



#### WARNING:

Do not use to charge automotive batteries.

## STARTING THE ENGINE (RECOIL)

See Figures 13 - 15.

**NOTE:** If location of generator is not level, the unit may not start or may shut down during operation.

- Turn the fuel valve to the ON position.
- Move the choke lever to the START position.  
**NOTE:** If engine is warm or the temperature is above 10°C, push the choke lever in to the RUN position.
- Put the engine switch in the ON ( I ) position.
- Turn the key to ON position.
- Pull the recoil starting grip until the engine runs (a maximum of 6 times).  
**NOTE:** Do not allow the grip to snap back after starting; return it gently to its original place.
- Allow the engine to run for 30 seconds, then move the choke lever in to the RUN position.

## STARTING THE ENGINE (ELECTRIC)

- Turn the fuel valve to the ON position.
- Move the choke lever to the START position.  
**NOTE:** If engine is warm or the temperature is above 10°C, push the choke lever in to the RUN position.
- Put the engine switch in the ON ( I ) position.
- Turn the key to ON position.
- Turn the key to "START" position and release.
- Allow the engine to run for 30 seconds, then move the choke lever in to the RUN position.

## REMOVABLE CONTROL PANEL

The removable control panel can be wall-mounted and connected to the generator with the 7.6 m (25 ft.) power cord (Model # RDEC25) provided with the product.

The generator can be turned OFF from the removable control panel or the off switch on the unit.

**NOTE:** You must push the off switch and hold it until the engine has fully stopped.

The removable control panel has two 240V 15A sockets.

Use only with RDEC25 accessory cord. Do not exceed separation length of 22.9 m (75 ft.) or a combination of three RDEC25 accessory cords.

## GenSmart MONITORING SYSTEM

The GenSmart monitoring system displays wattage, voltage, hertz, and hours. To cycle through each display, press and release the select/reset button.

### Load Indicator

Measures the wattage output of the removable control panel.

### Hour Meter

The digital hour meter operates whenever the engine is running and keeps track of how many hours the unit has been used. Use this meter along with the accompanying engine manual to determine when and what type of service on the unit is needed. To display, press and release the select/reset button to cycle through the displays until HRS appears.

### Maintenance Warning System

At every 100 hours of use, the GenSmart™ monitoring system will display a flashing message informing the operator to service the engine as required by the engine operator's manual. To reset this message, push and hold the select/reset button located underneath the GenSmart™ display for 5 seconds.

**NOTE:** Be careful to only press and hold the reset button when you want the maintenance panel to be reset.

## OPERATING THE GENERATOR USING THE WALL-MOUNTED REMOVABLE CONTROL PANEL

See Figures 11-12.

If the panel has been installed in a remote location:

- Turn off the generator.
- Connect the generator to the removable control panel using the twist-lock plug and the 12 Volt DC engine control connector on the provided power cord.
- ONLY use a generator outdoors and far away from open windows, doors, and vents. These openings can pull in generator exhaust.
- Connect up to two additional 7.6 m (25 ft.) extension cords to the provided 7.6 m (25 ft.) power cord. The total length of all connected power cords should not exceed 22.9 m (75 ft.) or three (3) RDEC25 extension cords.
- Connect the extension cord to the generator.
- Start the engine as described in **Starting the Engine**.
- Add devices to the generator and monitor the load of each added device using the GenSmart™ display panel.

## STOPPING THE ENGINE

See Figures 13- 14.

- To stop the engine under normal operating conditions:
  - Remove any load from the generator.
  - Switch the AC circuit breakers to the off position.
  - Disconnect DC battery charging cables.
  - Turn the fuel valve to the OFF position.
  - Put the engine switch in the OFF (O) position, and hold

it until the engine has fully stopped or turn the key to off position.

- Turn the key to "OFF" position (Electric start only).

#### To stop the engine in an emergency situation:

- Put the engine switch in the OFF (O) position, and hold it until the engine has fully stopped or turn the key to off position.

## MAINTENANCE



#### WARNING:

When servicing, use only identical replacement parts. Use of any other parts may create a hazard or cause product damage.

Only the parts shown on the parts list are intended to be repaired or replaced by the customer. All other parts should be replaced at an authorised service centre.

### GENERAL MAINTENANCE

Keep the generator in a clean and dry environment where it is not exposed to dust, dirt, moisture, or corrosive vapours. Do not allow the cooling air slots in the generator to become clogged with foreign material such as leaves, snow, etc.

Do not use a garden hose to clean the generator. Water entering the fuel system or other internal parts of the unit can cause problems that will decrease the life of the generator.

#### To clean the unit:

- Use a soft bristle brush and/or vacuum cleaner to loosen and remove dirt and debris.
- Clean air vents with low pressure air that does not exceed 25 psi.
- Wipe the exterior surfaces of the generator with a damp cloth.

### CHECKING/CLEANING AIR FILTER

See Figure 16.

For proper performance and long life, keep air filter clean.

- Lift the latches located at the top and bottom of the air filter cover. Remove the cover and set aside.
- Remove the filter elements.
- If the filter elements are dirty, clean with warm, soapy water. Rinse and let dry.
- Apply a light coat of engine oil to the elements, then squeeze it out.
- Replace the elements in the air filter unit.
- Replace the air filter cover and close latches to secure.

**NOTE:** Do not run the generator without the air filter. Rapid engine wear will result.

### CHANGING ENGINE OIL

See Figure 9.

- Remove the oil cap/dipstick.
- Place a container underneath the oil drainage bolt to collect used oil as it drains.
- Unscrew the oil drainage bolt and remove.
- Allow oil to drain completely.
- Reinstall the oil drainage bolt and tighten securely.
- Refill with oil following the instructions in the "CHECKING/ADDING OIL" section.

- Reinstall the oil cap/dipstick.

**NOTE:** Used oil should be disposed of at an approved disposal site. See your local oil retailer for more information.

### FUEL FILTER

The fuel filter prevents dirt and water that may have gotten into the fuel tank from entering the carburetor. If the engine has not been run for a long time, the fuel filter should be replaced before use.

- Drain the fuel tank into suitable container.
- Squeeze the ends of the clips and slide the fuel lines off the filter.
- Install new filter.
- Refill tank and check for leaks.

### SPARK PLUG MAINTENANCE

See Figure 17.

The spark plug must be properly gapped and free of deposits to ensure proper engine operation. To check:

- Remove the spark plug cap.
- Clean any dirt from around base of spark plug.
- Remove spark plug using wrench provided.
- Inspect spark plug for damage, and clean with a wire brush before reinstalling. If insulator is cracked or chipped, spark plug should be replaced.

**NOTE:** If replacing, use the following recommended spark plugs or equivalent: NGK BPR4ES.

- Seat spark plug in position; thread in by hand to prevent cross-threading.
- Tighten with wrench to compress washer. If spark plug is new, use 1/2 turn to compress washer. If reusing old spark plug, use 1/8 to 1/4 turn for proper washer compression.

**NOTE:** An improperly tightened spark plug will become very hot and could damage the engine.

### CLEANING THE EXHAUST PORT AND MUFFLER

Depending on the type of fuel used, the type and amount of oil used, and/or your operating conditions, the exhaust port and muffler may become blocked with carbon deposits. If you notice a power loss with your petrol-powered tool, you may need to remove these deposits to restore performance. We highly recommend that only qualified service technicians perform this service.

### SPARK ARRESTOR

Product users in some areas must comply with fire prevention regulations. This product is equipped with a spark arrestor.

### DRAINING FUEL TANK/CARBURETOR

When not using a fuel stabiliser, draining the fuel from the tank and carburetor before storage may help prevent gum deposits in the fuel system.

### DRAINING THE FUEL TANK

See Figure 14.

- Turn the engine switch off (O).
- Close the fuel valve.
- Remove the fuel line from the barb by squeezing the ends of the retaining clip and sliding the fuel line off.
- Install one end of a drain line over the barb, and place the other end in a fuel container large enough to catch the fuel being drained from the tank.
- Open the fuel valve.

- When the fuel has drained from the tank, close the fuel valve and reinstall fuel line on barb.

### **DRAINING THE CARBURETOR**

See *Figure 2*.

- Turn the engine switch OFF (O).
- Close the fuel valve.
- Position an approved fuel container under the carburetor drain screw to catch fuel; loosen the screw.
- Allow fuel to drain completely into the container.
- Retighten the drain screw.

**NOTE:** After draining the fuel tank and carburetor, start the engine and allow it to run until the unit runs out of fuel. Consult hazardous waste management guidelines in your area for the proper way to dispose of used fuel.

### **TRANSPORTING**

- Turn engine switch OFF (O).
- Close the fuel valve.
- Make sure engine and exhaust of unit is cool.
- Keep unit level to prevent fuel spillage.
- Do not drop or strike unit or place under heavy object

## MAINTENANCE

### STORAGE

When preparing the generator for storage, follow the guidelines below.

STORAGE TIME	PRIOR TO STORING
Less than 1 month	<ul style="list-style-type: none"> <li>■ No special preparation is required.</li> </ul>
1 to 2 months	<ul style="list-style-type: none"> <li>■ Empty fuel from the fuel tank.</li> </ul>
2 months to 1 year	<ul style="list-style-type: none"> <li>■ Empty fuel from the fuel tank.</li> <li>■ Drain fuel from the carburetor.</li> <li>■ Replace the fuel filter.</li> </ul>
1 year or more	<ul style="list-style-type: none"> <li>■ Empty fuel from the fuel tank.</li> <li>■ Drain fuel from the carburetor.</li> <li>■ Replace the fuel filter.</li> <li>■ Remove the spark plug.</li> <li>■ Put a tablespoon of engine oil into the cylinder through the spark plug hole. Turn the engine slowly with the pull rope to distribute the oil.</li> <li>■ Reinstall the spark plug.</li> <li>■ Change the engine oil.</li> </ul>

\*Use unleaded fuel stabilisers formulated to extend storage life. For recommendations, contact your nearest authorised service centre.

### MAINTENANCE SCHEDULE

	Before each use	After 1st month or 20 hours of operation	Every 3 months or 50 hours of operation	Every 6 months or 100 hours of operation	Every year or after 300 hours of operation
Check Engine Oil	■				
Change Engine Oil		■		■	
Check Air Filter	■				
Clean Air Filter			■		
Change Air Filter					■
Replace the Fuel Filter				■	
Check/Adjust Spark Plug				■	
Replace Spark Plug					■
Check/Adjust Idle Speed					■
Check/Adjust Valve Clearance*					■
Clean Fuel Tank and Filter*				■	
Check Fuel Tube					■

\* These items should only be carried out by an authorised service centre.

**NOTE:** Maintenance should be performed more frequently when generator is used in dusty areas.

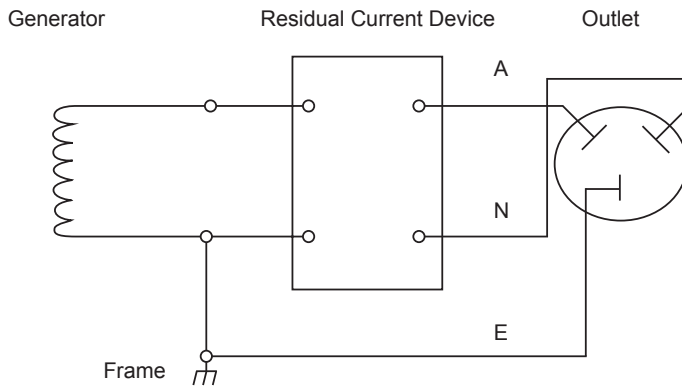
When generator has exceeded the maximum figures specified in the table, maintenance should still be cycled according to the intervals of time or hours stated herein.

## TROUBLESHOOTING

PROBLEM	POSSIBLE CAUSE	SOLUTION
Engine will not start.	Engine switch is OFF. No fuel. Oil level is low. Fuel valve is OFF. Spark plug faulty, fouled, or improperly gapped. Fuel is not reaching carburetor. Choke is OPEN. Engine stored without treating or draining unleaded fuel, or refueled with bad unleaded fuel.	Turn engine switch to ON. Fill fuel tank. Check engine oil level and fill, if necessary. Turn fuel valve ON. Replace spark plug. Replace the fuel filter. Move choke lever out to START. Drain fuel and carburetor. Refuel with fresh unleaded fuel.
Engine lacks power.	Fuel element clogged. Engine stored without treating or draining unleaded fuel, or refueled with bad unleaded fuel.	Check air filter element. Clean or replace as needed. Drain fuel and carburetor. Refuel with fresh unleaded fuel.
AC receptacle does not work.	Circuit breaker is OFF. Item plugged in is defective.	Turn ON the AC circuit breaker. Try a different item.
Generator makes a "spark knock" or "pinging" noise.	An occasional light "knocking" or "pinging" under heavy load is not a cause for concern. However, if the knocking or pinging occurs under normal load at a steady engine speed, the problem may be with the brand of unleaded fuel being used.	Switch to a different brand of unleaded fuel, making sure that the octane rating is 90 or higher. If problem continues, contact your nearest authorized service center.
If problem persists after trying the above solutions, contact your nearest authorized service center for assistance.		
The following symptoms may indicate problems that will affect the emissions level of the unit: <ul style="list-style-type: none"> <li>■ Hard starting or stalling after starting</li> <li>■ Rough idle</li> <li>■ Misfiring or backfiring under load</li> <li>■ Afterburning (backfiring)</li> <li>■ Black exhaust smoke or high fuel consumption</li> </ul> If you encounter any of these symptoms, have the unit inspected and repaired by the nearest authorised service centre.		

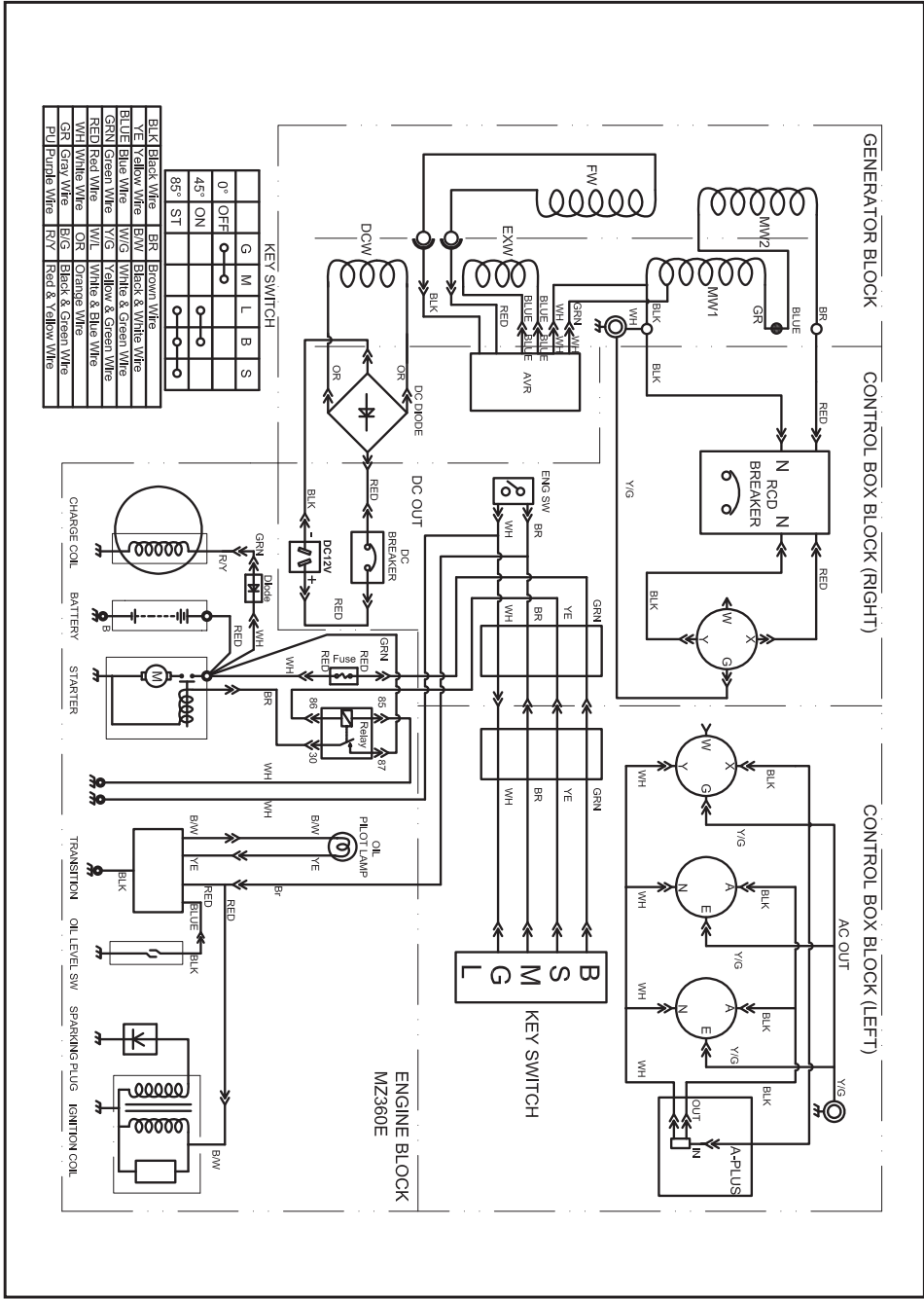
## WIRING DIAGRAM

This single phase generator is fitted with a fixed Residual Current (earth leakage) Device with winding connected as shown in the following wiring diagram.





# WIRING DIAGRAM







# AEG

## POWERTOOLS

[www.aegpowertools.com.au](http://www.aegpowertools.com.au)

Techtronic Industries GmbH  
Max-Eyth-Straße 10  
71364 Winnenden  
Germany

Techtronic Industries (Australia) Pty. Ltd.  
Level 1, 660 Doncaster Road,  
Doncaster, VIC 3108,  
Australia

Techtronic Industries N.Z. Limited  
18-26 Amelia Earhart Avenue,  
Mangere, Auckland 2022,  
New Zealand