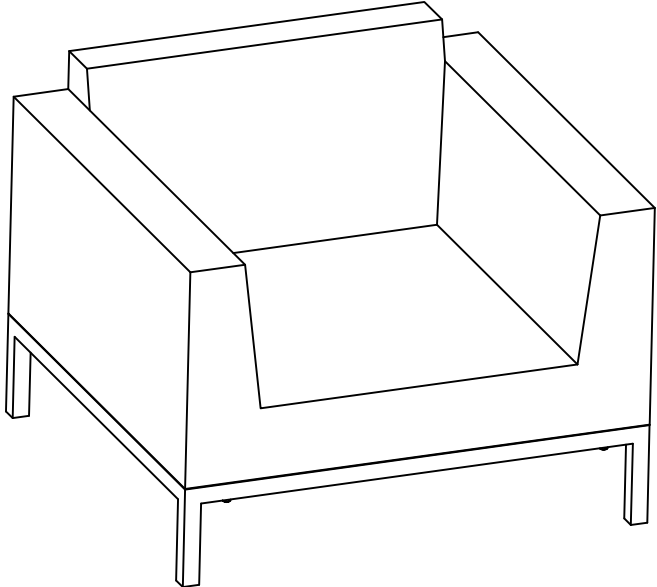
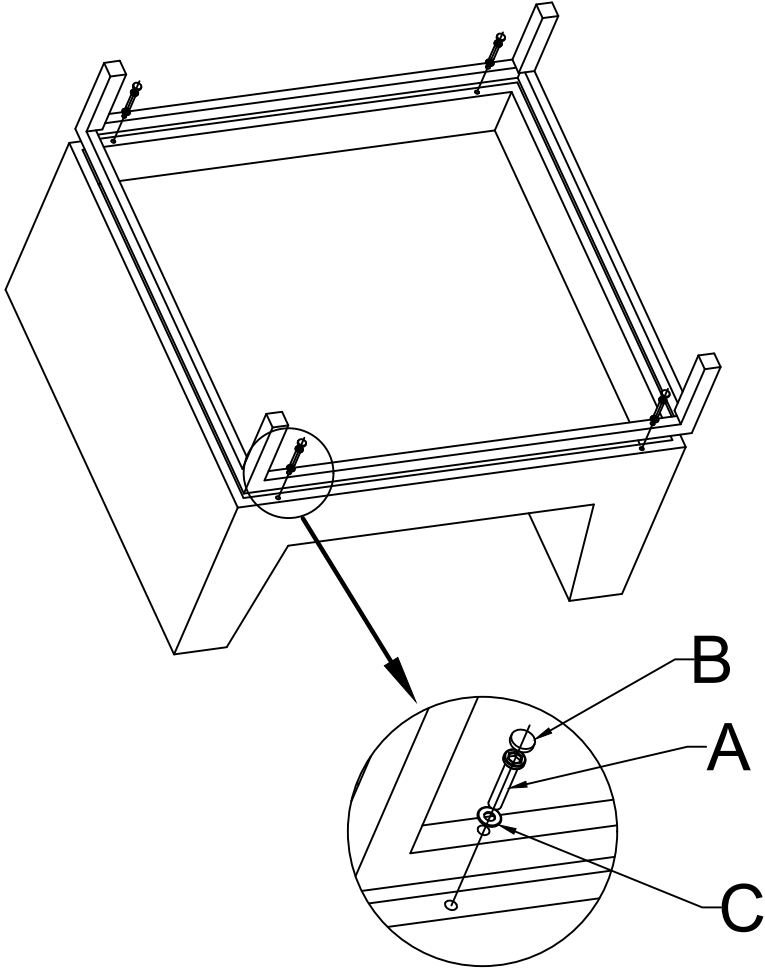


ASSEMBLY INSTRUCTION

ANCONA CUSHION CHAIR

1: USE THE SPANNER(D) TO
FIX THE SEAT FRAME TO
LEG BASE USING BOLTS(A)
AND WASHERS(C)



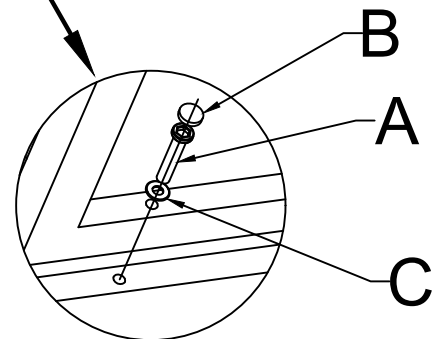
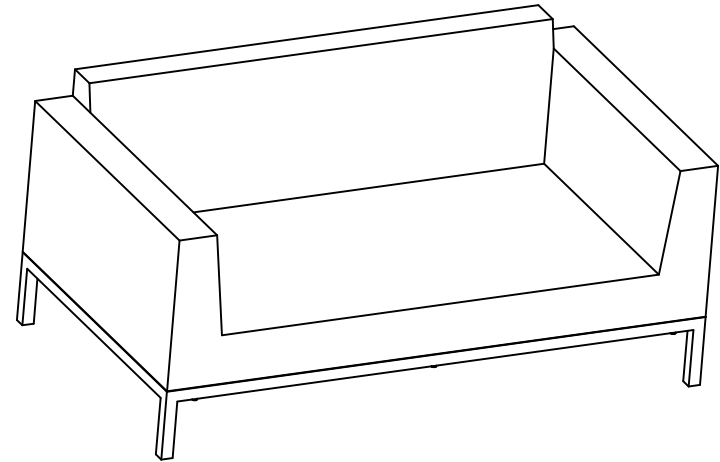
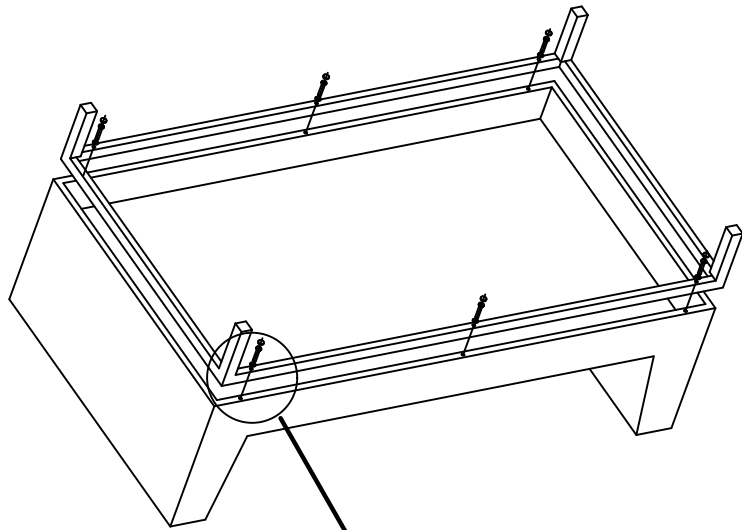
2: PUT THE BOLT CAP(B) INTO
EACH BOLTS.

A X4	B X4	C X4	D X1





ASSEMBLY INSTRUCTION

ANCONA 2 SEATER SOFA

1: USE THE SPANNER(D) TO
FIX THE SEAT FRAME TO
LEG BASE USING BOLTS(A)
AND WASHERS(C)



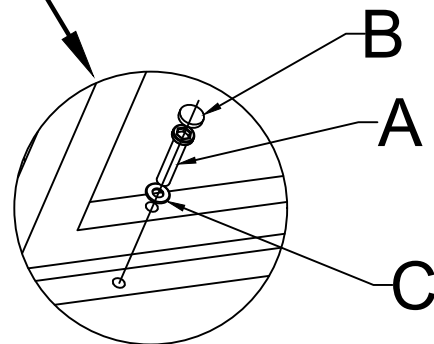
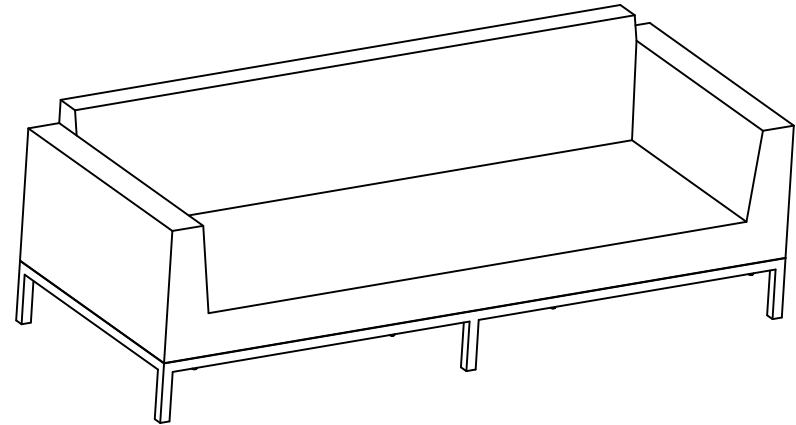
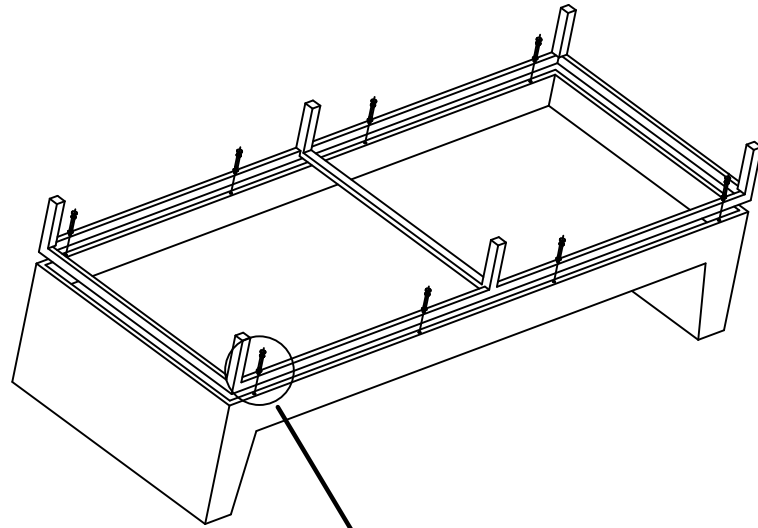
2: PUT THE BOLT CAP(B) INTO
EACH BOLTS.

A X6	B X6	C X6	D X1
			





ASSEMBLY INSTRUCTION

ANCONA 3 SEATER SOFA

1: USE THE SPANNER(D) TO
FIX THE SEAT FRAME TO
LEG BASE USING BOLTS(A)
AND WASHERS(C)



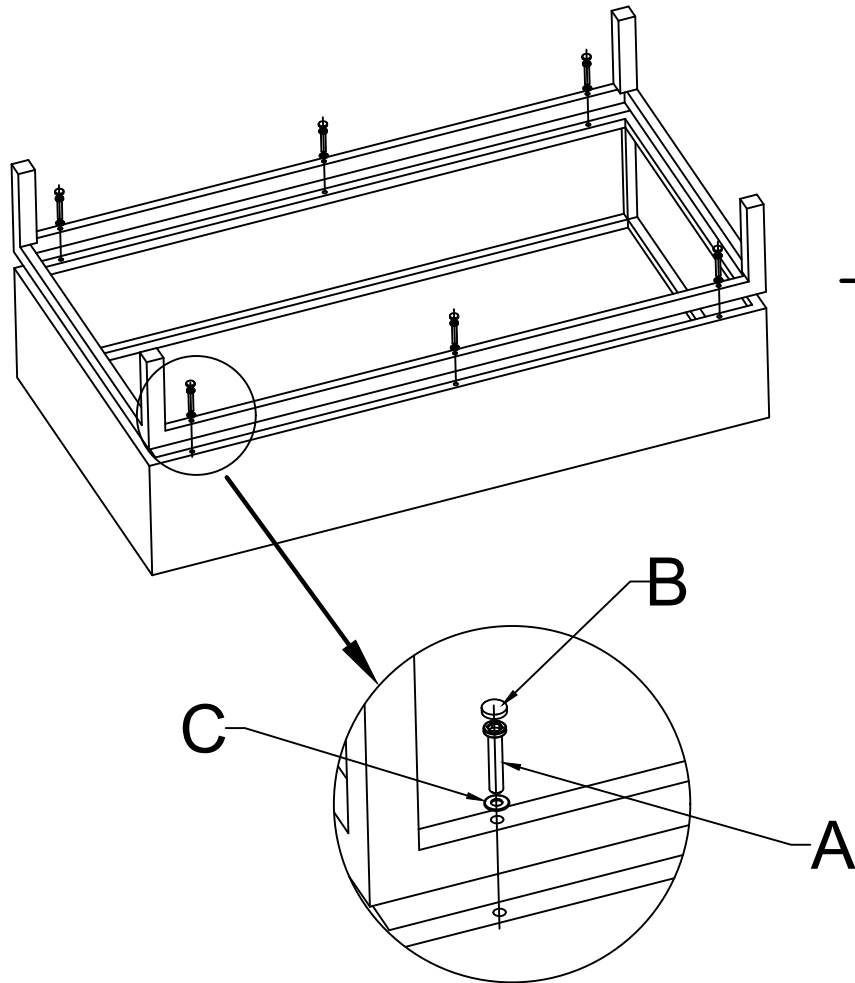
2: PUT THE BOLT CAP(B) INTO
EACH BOLTS.

A X8	B X8	C X8	D X1
			

ASSEMBLY INSTRUCTION

ANCONA COFFEE TABLE

1: USE THE SPANNER(D) TO
FIX THE TABLE TOP TO LEG
BASE USING BOLTS(A) AND
WASHERS(C)



2: PUT THE BOLT CAP(B) INTO
EACH BOLTS.

A X6	B X6	C X6	D X1
