

INSTALLATION GUIDE FOR CONCRETE SLEEPERS & STEEL POSTS

STEP 1: PREPARING THE AREA

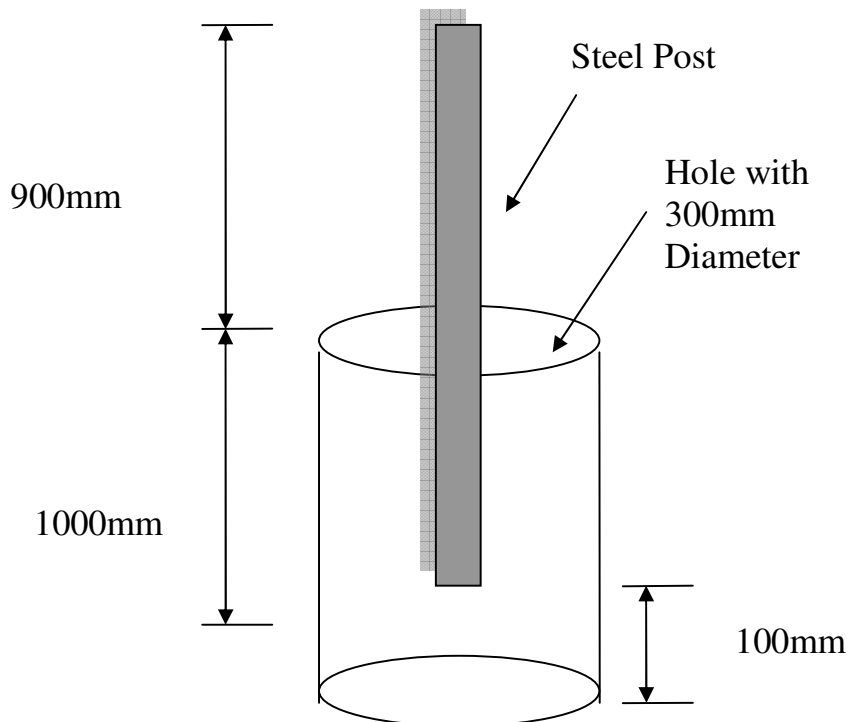
Clear and level your site where you plan to build the retaining wall. Ensure you leave 200mm behind the retaining wall area for backfill.

STEP 2: ALIGNMENT

Place a star piquet or peg at both ends of the proposed wall. Attach two string lines at each end of the wall, top and bottom, to keep your wall aligned.

STEP 3: MARKING OUT HOLES

Starting from one end of the wall, mark crosses on the ground at 1520mm centers.



STEP 4: AUGER HOLES

Auger holes at 300mm diameter as per engineer specifications:

WALL HEIGHT	POST SPACING	POST SIZE	FOOTING DEPTH
150mm	1520mm	60UC	250mm
300mm	1520mm	60UC	400mm
450mm	1520mm	60UC	550mm
600mm	1520mm	60UC	700mm
750mm	1520mm	60UC	850mm
900mm	1520mm	60UC	1000mm

STEP 5: POURING CONCRETE

Pour concrete into holes, one at a time. Make the concrete stiff. If using readymix concrete, order 20/20, 80 slump. Set your post at required depth, then lower into ground until level with the top string lines. Ensure there is a minimum lean back of 30mm for every 1m in height.

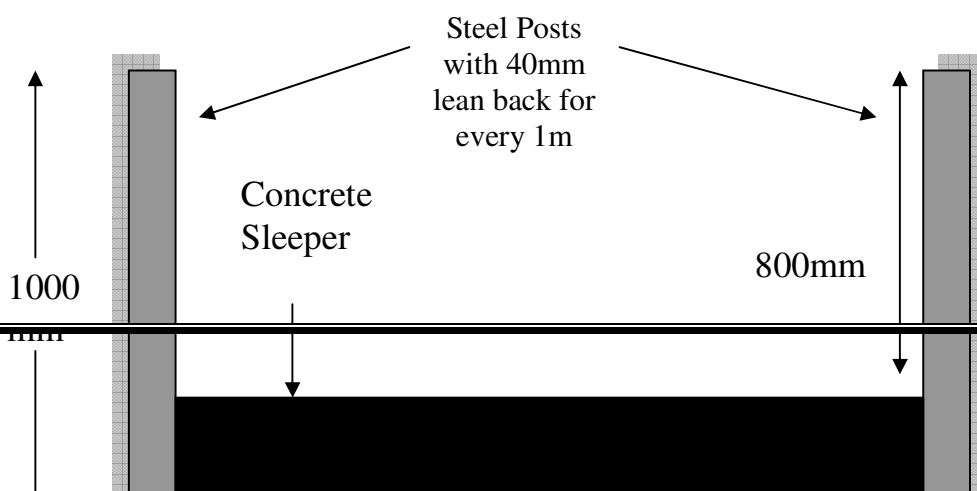
Build a concrete pad on both sides of the steel post web to ensure that as the sleepers are placed in, that the top sleeper will sit flush with the top of the post:

STEP 7: AGPIPE AND BACKFILL

Allow the concrete to cure for two to three days before you place your sleepers in. Place the agpipe at the base, ensuring, the water can escape at the end. Begin to backfill with gravel, until 200mm to the top.

STEP 8: PUTTING IN STEEL POSTS AND CONCRETE SLEEPERS

Once the concrete has set around your posts, place your first sleeper between the posts. It is important to measure the remaining distance between the top of your first sleeper and the top of your steel posts, to make sure there is room to get all your sleepers in and to have them finish flush with the top of your posts. You can always cut the steel post if they are too long. It is also possible to pack extra gravel under the bottom sleeper to raise its height. Once you are happy with the placement of the first sleeper, you can begin adding the remaining sleepers.



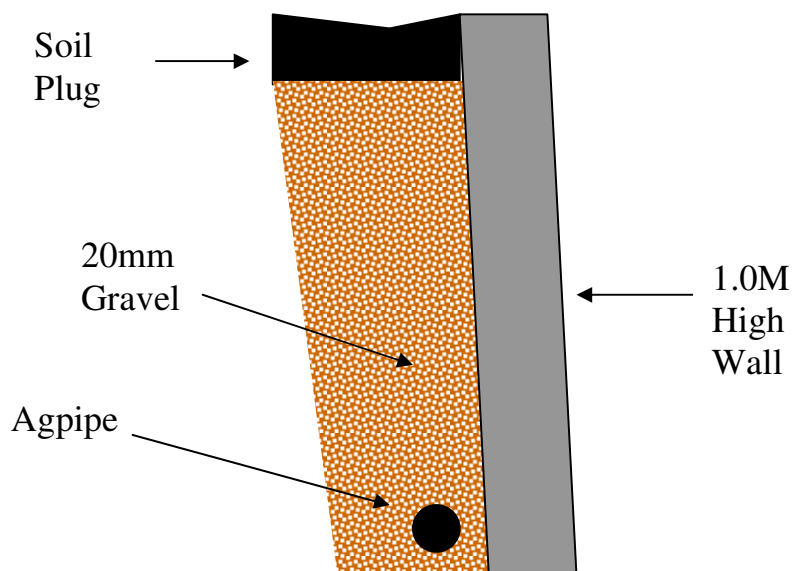
STEP 9: SOIL PLUG

A soil plug is then placed in, to fill the wall to the top.

STEP 10: BACKFILLING

Ensure when backfilling do not push dirt from behind into the back of the wall with any machinery.

Always place dirt/fill from the top, either by using a Bobcat/Dingo, or by hand.



STEP 11: ENJOY

Once back filled and landscaped sit back and enjoy an Aussie Concrete Retaining Wall that will never have to be replaced.