

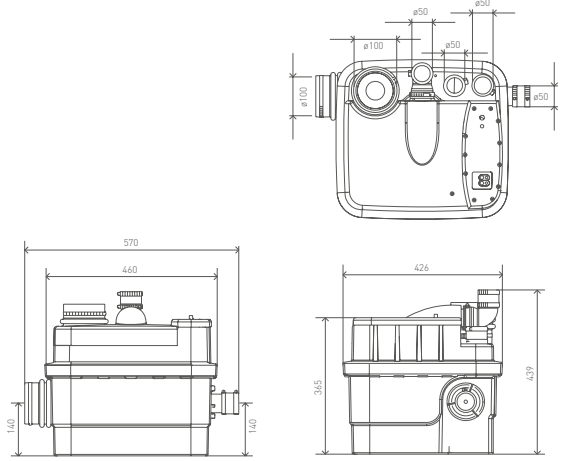
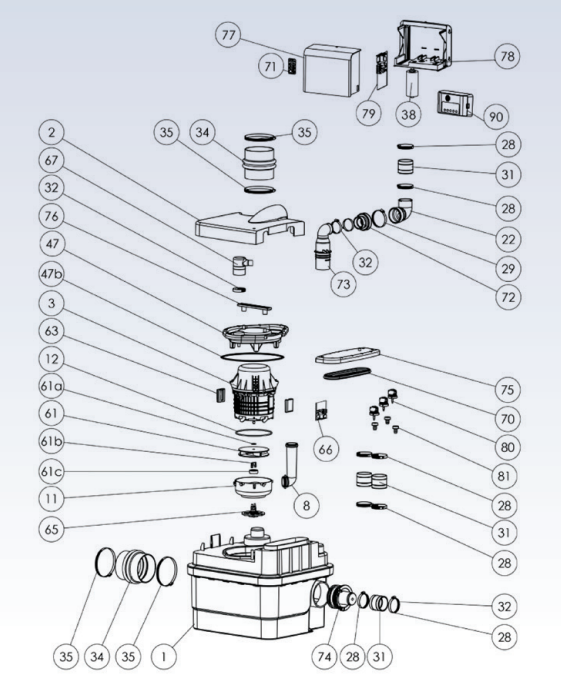
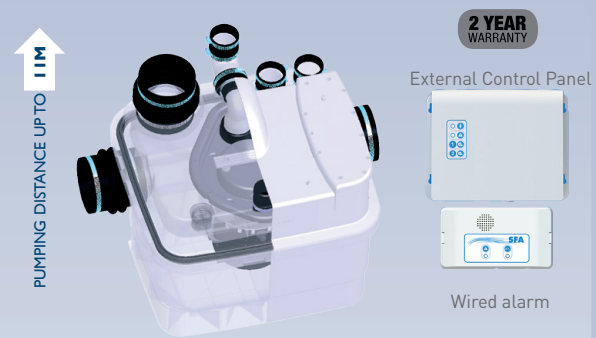
SANICUBIC 1 WP

SA 107

Sanicubic 1 WP is ideal for use in a granny flat addition as It can remove waste water from multiple fixtures. It features a powerful 1500W motor, high flow rate performance, and an IP68 waterproof rating.



*WC not on same level. Valves not included. All fixtures need to be higher than 275mm above the base of the pump.



POSSIBLE CONNECTIONS

Multiple WC's* waste waters from kitchen, vanity, bathroom & laundry

VERTICAL PUMPING HEIGHT

Up to 11m

HORIZONTAL PUMPING DISTANCE

Up to 110m (refer to pumping graph below)

INLET DIAMETER

100/110mm for toilets, 40/50mm for waste waters

RECOMMENDED DISCHARGE PIPE DIAMETER

40mm uPVC Pressure Pipe

NORMAL OPERATING TEMPERATURE

35°C and max 70°C for short periods

ELECTRICAL POWER SUPPLY

220-240V / 50Hz

MOTOR POWER RATING

1500W

OVERALL MEASUREMENTS (W x H x D)

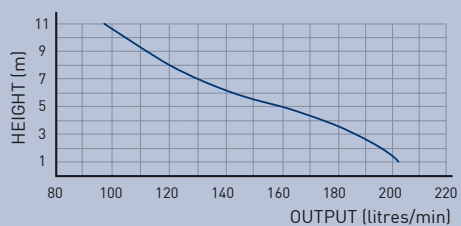
570 x 439 x 460mm

ACCESSORIES

- Factory pre mounted non return valve (supplied)
- Control panel mounted on unit
- Externally wired control panel with alarm

All horizontal pipework requires a minimum of 1:100 fall

FLOW RATE PERFORMANCE



PUMPING DISTANCE PERFORMANCE

Increase size of horizontal run by one pipe size after 5m

