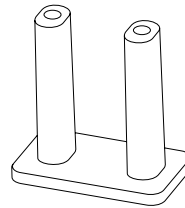


INSTALLATION INSTRUCTIONS

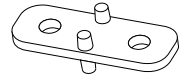
USE THIS METHOD TO MAKE A SHED FLOOR OR PARKING AREA FOR A BOAT, CARAVAN OR TRAILER

- Select the location you plan to lay the Fast Floor panels. If this area is grassed, mow the grass as short as possible before you start.
- Make sure that the site is flat. If not, spread sand to fill any low spots and level with a straight edge. Optionally, dig out 40mm of soil to install the Fast Floor panels level with the ground.
- Lay out weed mat over the area where you wish to install the Fast Floor panels. An additional 25mm of weed mat around the perimeter will prevent grass or weeds growing through the panels.
- Insert the four Joiner Clips on the long side with tabs as shown in Fig. 1.
- Place the first Fast Floor panel in the corner with the tabs on both sides facing the direction they are being laid.
- Lay all panels in one direction first, then start another row as shown in Fig 2.

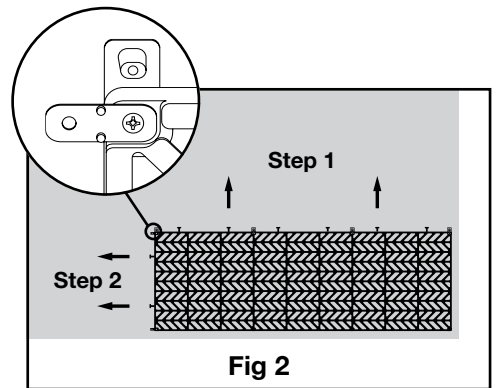
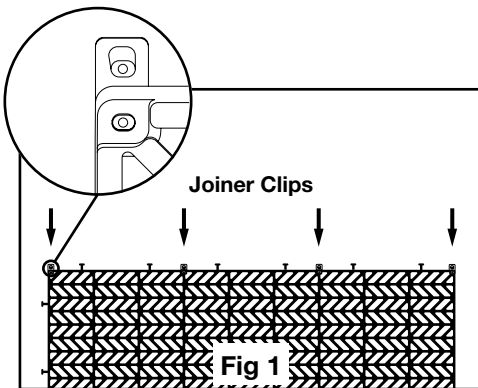


Joiner Clips x4

Joiner Plates x2



Screws x 6



- Where joining panels in the long direction, add Joiner Plates on top of the panels as shown in Fig. 3, then secure with the supplied screws.

- If any panels need to be cut around an obstacle, use a jigsaw with a blade for timber. For straight cuts use a circular saw with an open tooth blade.

- Drive the supplied screws into the Joiner Clips, taking care not to strip them out.

- Secure the corner panels with large tent pegs through the drain slots if necessary.

- If installing a shed, ensure that it is correctly anchored according to its installation instructions.

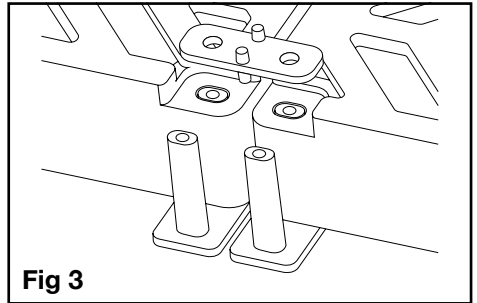


Fig 3

NOTE: If Matrix Fast Floor panels are installed with insufficient support, they may fail and will not be covered by our warranty.



Design Flow Pty Ltd
8 Silkwood Rise, Carrum Downs
3201 Victoria, Australia
PH: +613 9775 0963
E: sales@designflow.com.au
W: www.designflow.com.au