



SUPA-LITE™

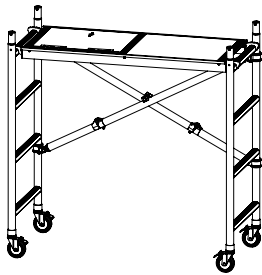
ALUMINIUM SCAFFOLD SYSTEM

225kg W.L.L. per scaffold tower Includes Users, Tools and Materials

ASSEMBLY MANUAL

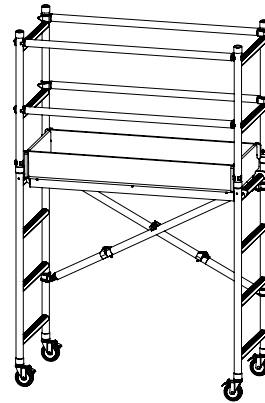


SCAN TO VIEW
ASSEMBLY
VIDEO



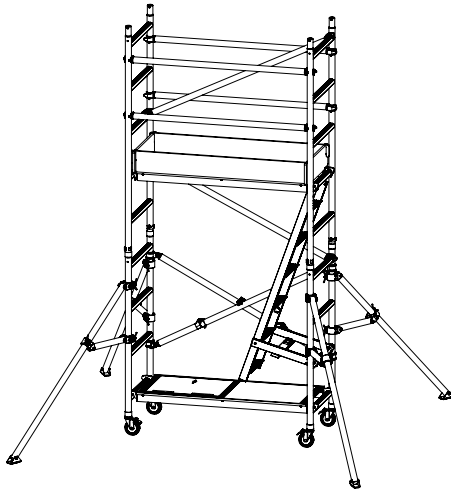
1.5M CONFIGURATION

Base Pack



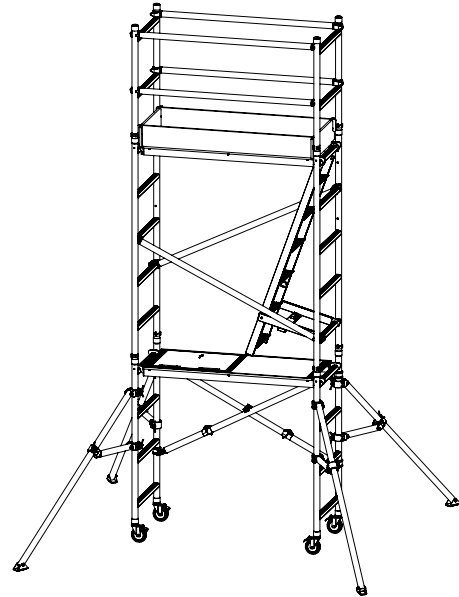
1.5M CONFIGURATION

Base Pack + Guardrail Pack + Toe Board Pack



2.3M CONFIGURATION

Base Pack + Extension Pack + Outrigger Pack +
Toe Board Pack + Horizontal Pack



3.4M CONFIGURATION

Base Pack + Extension Pack + Outrigger Pack +
Guardrail Pack + Toe Board Pack

READ THESE INSTRUCTIONS COMPLETELY BEFORE STARTING WORK

WARNING Failure to comply with all instructions may result in serious injury. Before assembling this product, identify all components. If any components are missing or damaged, return to the place of purchase. Do not substitute any components.

ATTENTION This product is to be stored in a clean dry location. It is not designed to be left out and exposed to the elements for extended periods of time.

Need help or information?

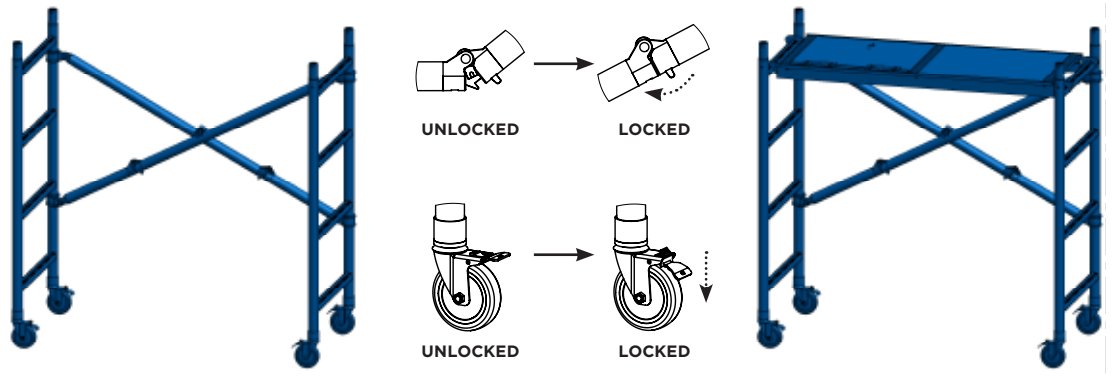


Consumer Advice AU 1300 760 717 / NZ +64 9 912 6780
baileyladders.com.au

1.5M CONFIGURATION

Base Pack

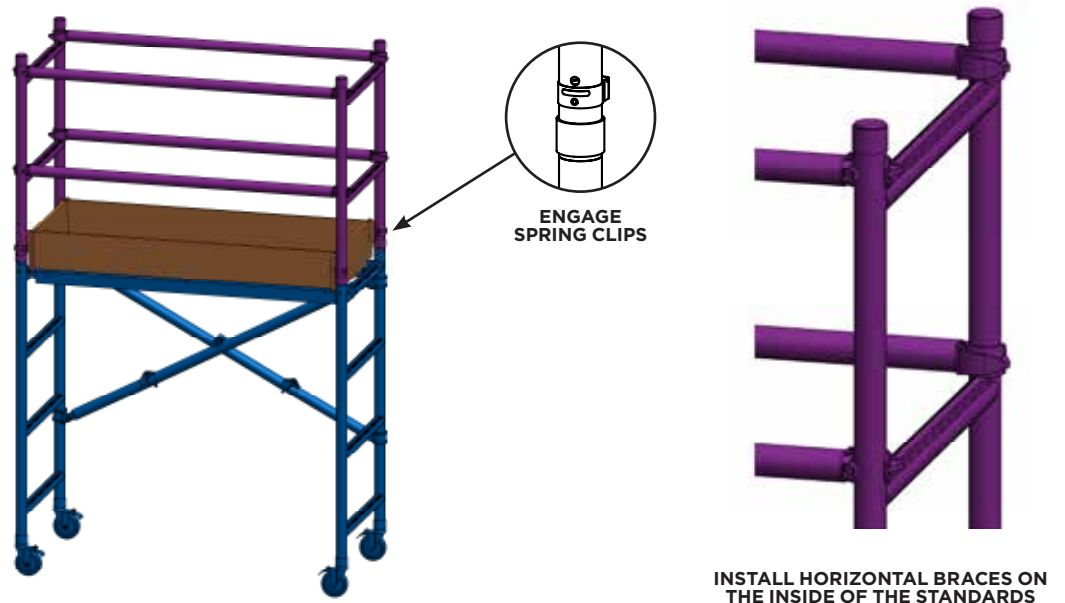
1. Unfold Base Pack
2. Lock Brace Locks
3. Lock Castors
4. Install Platform



1.5M CONFIGURATION

Base Pack + Guardrail Pack + Toe Board Pack

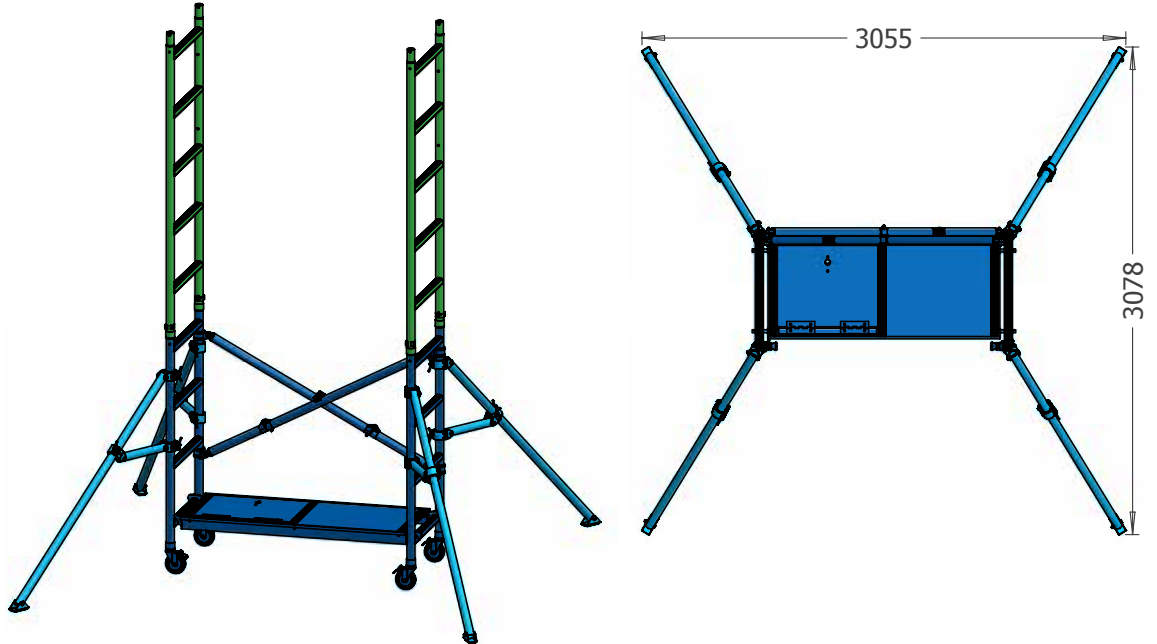
1. Install Guardrail End Frames
2. Engage Spring Clips
3. Install Horizontal Braces (YELLOW)
4. Install End Toe Boards
5. Install Side Toe Boards



2.3M CONFIGURATION

Base Pack + Extension Pack + Outrigger Pack + Toe Board Pack + Horizontal Pack

1. Unfold Base Pack
2. Lock Brace Locks
3. Lock Castors
4. Install Lower Platform
5. Install Outriggers
6. Install Extension End Frames
7. Engage Spring Clips



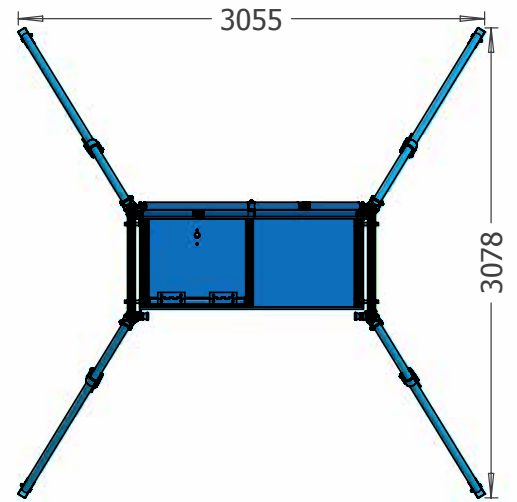
8. Install Lower Diagonal Brace (BLUE)
9. Install Ladder
10. Install Upper Platform
11. Install Horizontal Braces (YELLOW)
12. Install Upper Diagonal Brace (BLUE)
13. Install End Toe Boards
14. Install Side Toe Boards



3.4M CONFIGURATION

Base Pack + Extension Pack + Outrigger Pack + Guardrail Pack + Toe Board Pack

1. Unfold Base Pack
2. Lock Brace Locks
3. Lock Castors
4. Install Lower Platform
5. Install Outriggers
6. Install Extension End Frames
7. Engage Spring Clips



8. Install Diagonal Braces (BLUE)
9. Install Guardrail End Frames
10. Engage Spring Clips
11. Install Ladder
12. Install Upper Platform
13. Install Horizontal Braces (YELLOW)
14. Install End Toe Boards
15. Install Side Toe Boards

