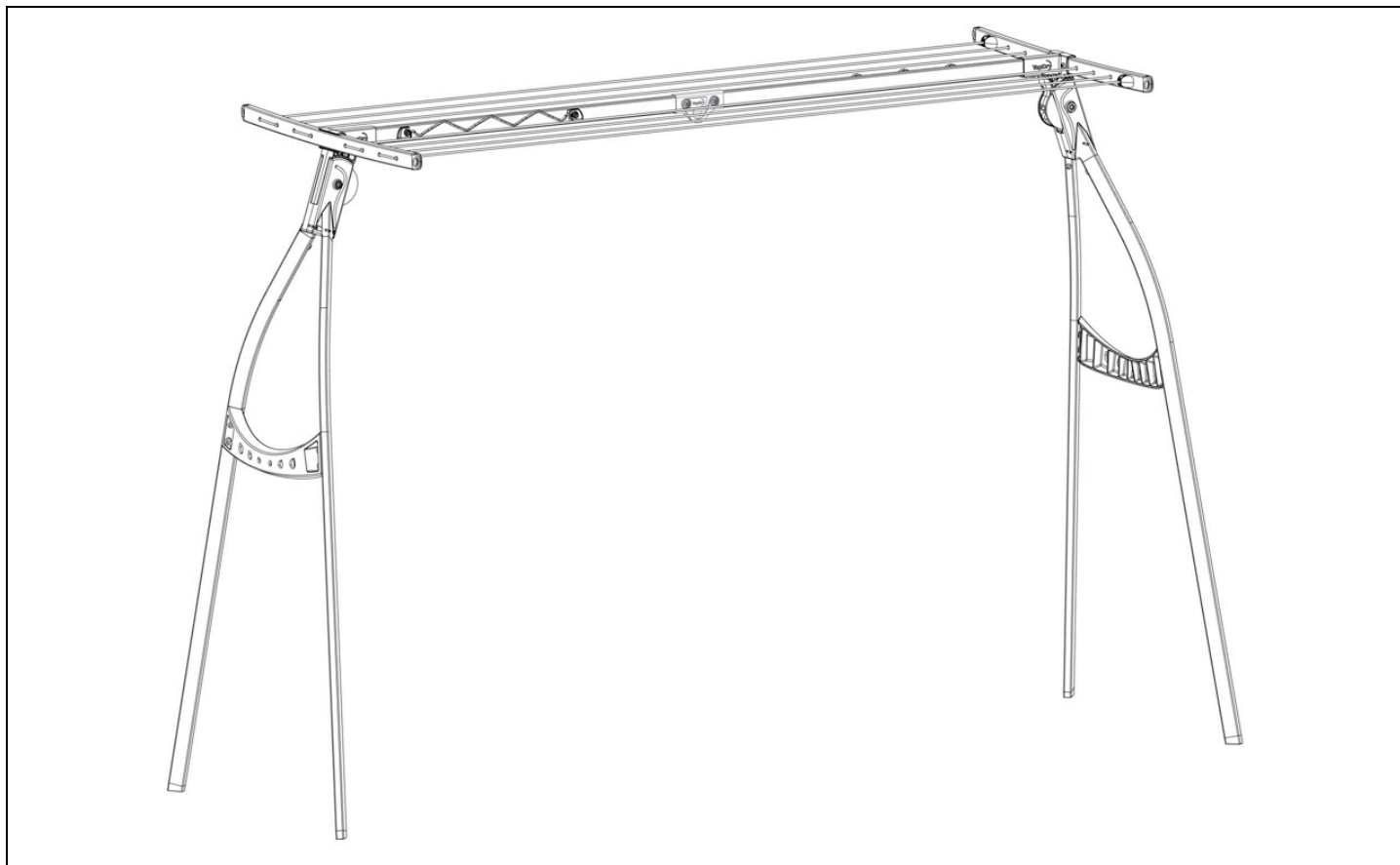


TOPDRY Portable



Safety Tips

Only use your clothesline to hang and dry washing.

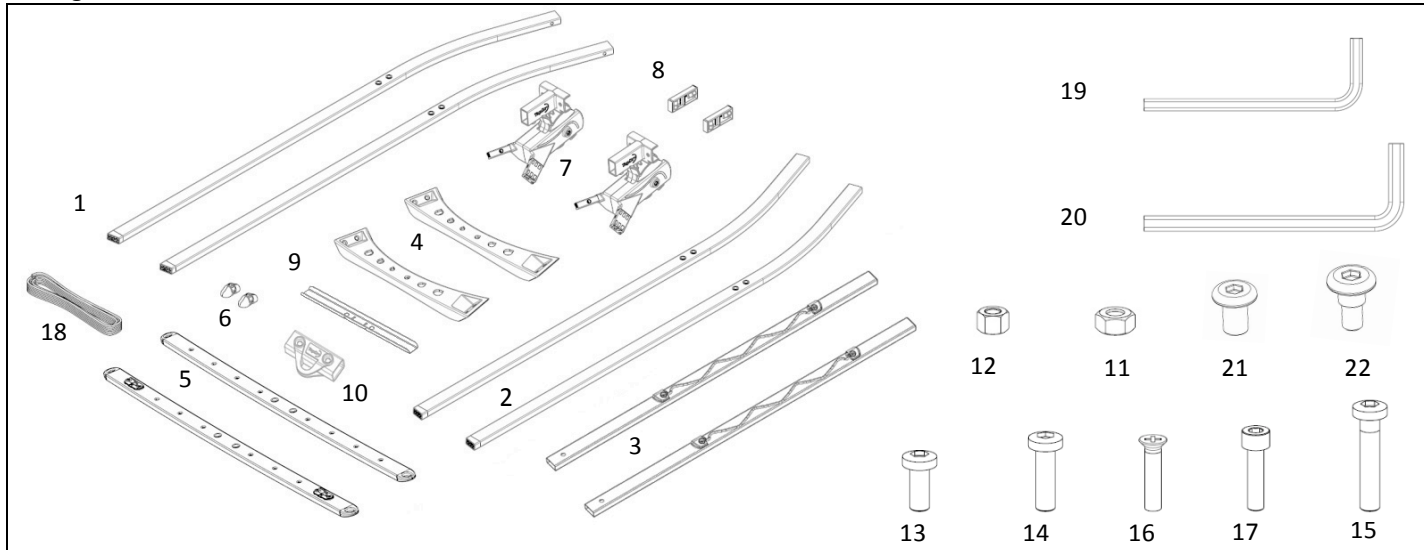
Remember the clothesline is not a children's toy

Don't use your clothesline if it is damaged

Note the following for future reference

Product Name	
Date of purchase:	
Place of purchase:	

Package Contents

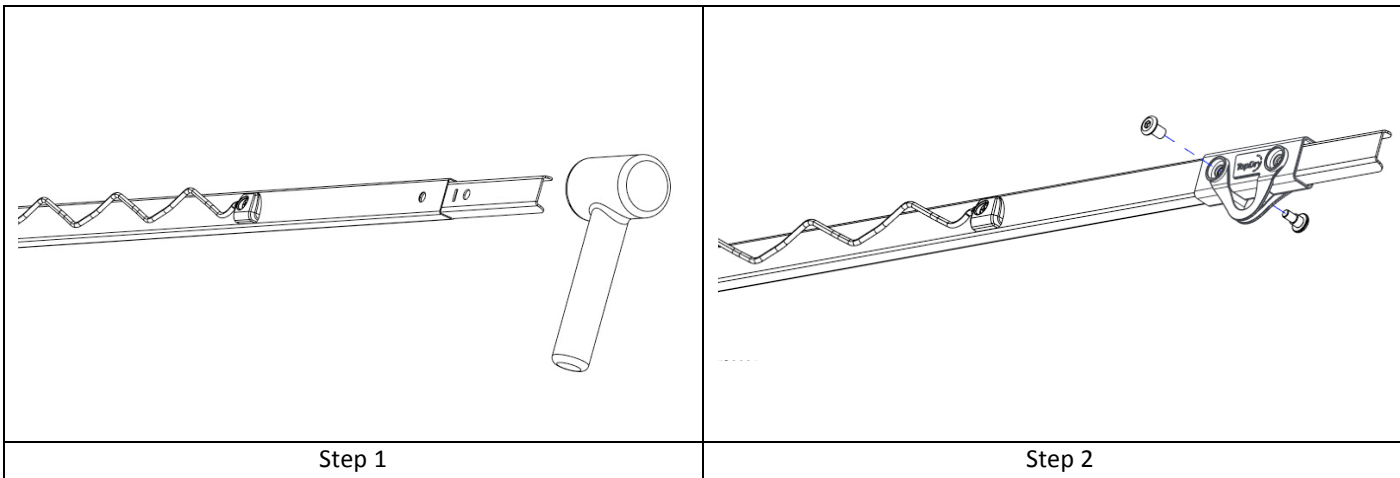


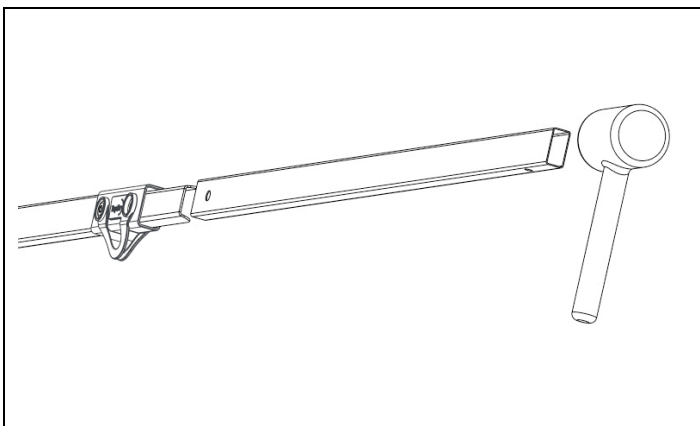
Item	Description	Quantity
1	Left leg	2
2	Right Leg	2
3	Spreader	2
4	Brace	2
5	Arm	2
6	Tensioner Cover	2
7	Pivot	2
8	Arm Joiner	2
9	Spreader Joiner	1
10	Spreader Handle	1
11	M6 Nyloc Nut	4

Item	Description	Quantity
12	M5 Nyloc Nut	4
13	M6 x 14mm Low Head Socket Screw	4
14	M6 x 20mm Low Head Socket Screw	8
15	M6 x 28mm Low Head Socket Screw	4
16	M5 x 20mm Cross Head CSK Screw	2
17	M5 x 20mm Cap Head Socket Screw	2
18	Line	1
19	4mm Hex Key	1
20	5mm Hex Key	2
21	M6 Chicago Bolt - Female	2
22	M6 Chicago Bolt - Male	2

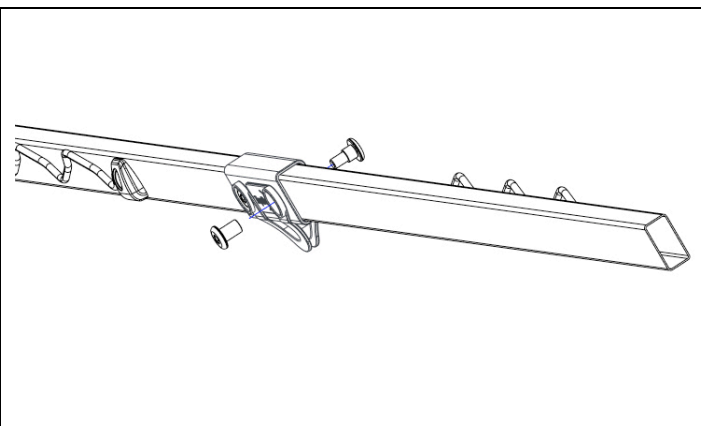
1. Assemble the Spreaders

1. Using a rubber mallet/hammer tap the Joiner into one of the Spreader pieces. Continue tapping until the centre slot in the Joiner aligns with the end of the Spreader and check that the hole in the Spreader lines up with the screw thread in the Joiner. If you've tapped it too far use a flat bladed screwdriver to carefully lever the Joiner out of the Spreader. Take care to not damage the painted finish.
2. Assemble the Handle to the Spreader and Joiner with one screw. This will keep the Joiner in position while you insert the other Spreader.
3. Use the rubber mallet/hammer to gently tap the second Spreader piece into position. Stop when it is flush with the first Spreader.
4. Insert the second screw and tighten.



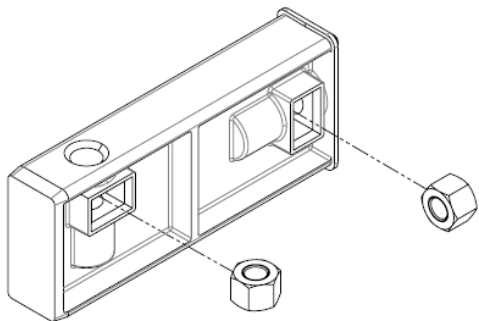


Step 3

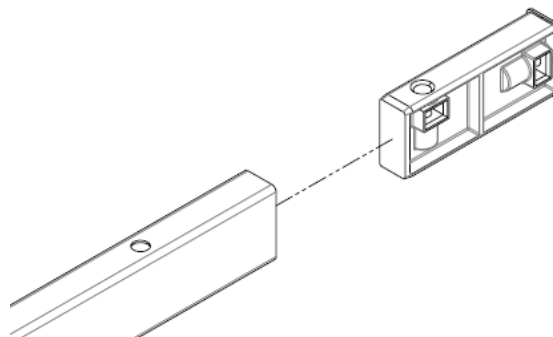


Step 4

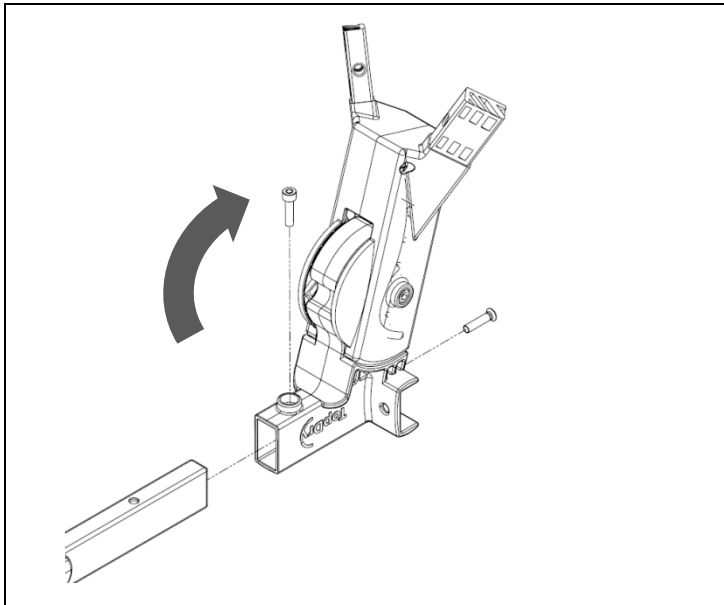
2. Assemble the Legs



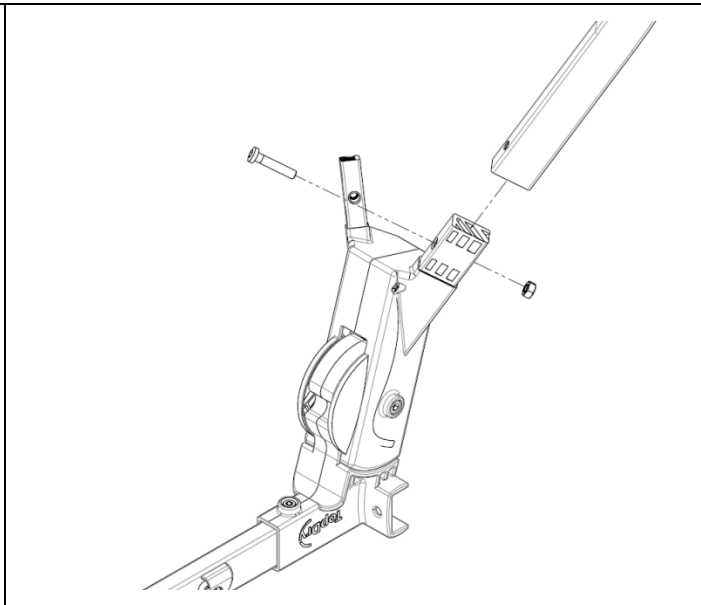
Step 1 – fit nuts (10) into hex recesses of Joiner.



Step 2 – Insert Joiner into the spreader

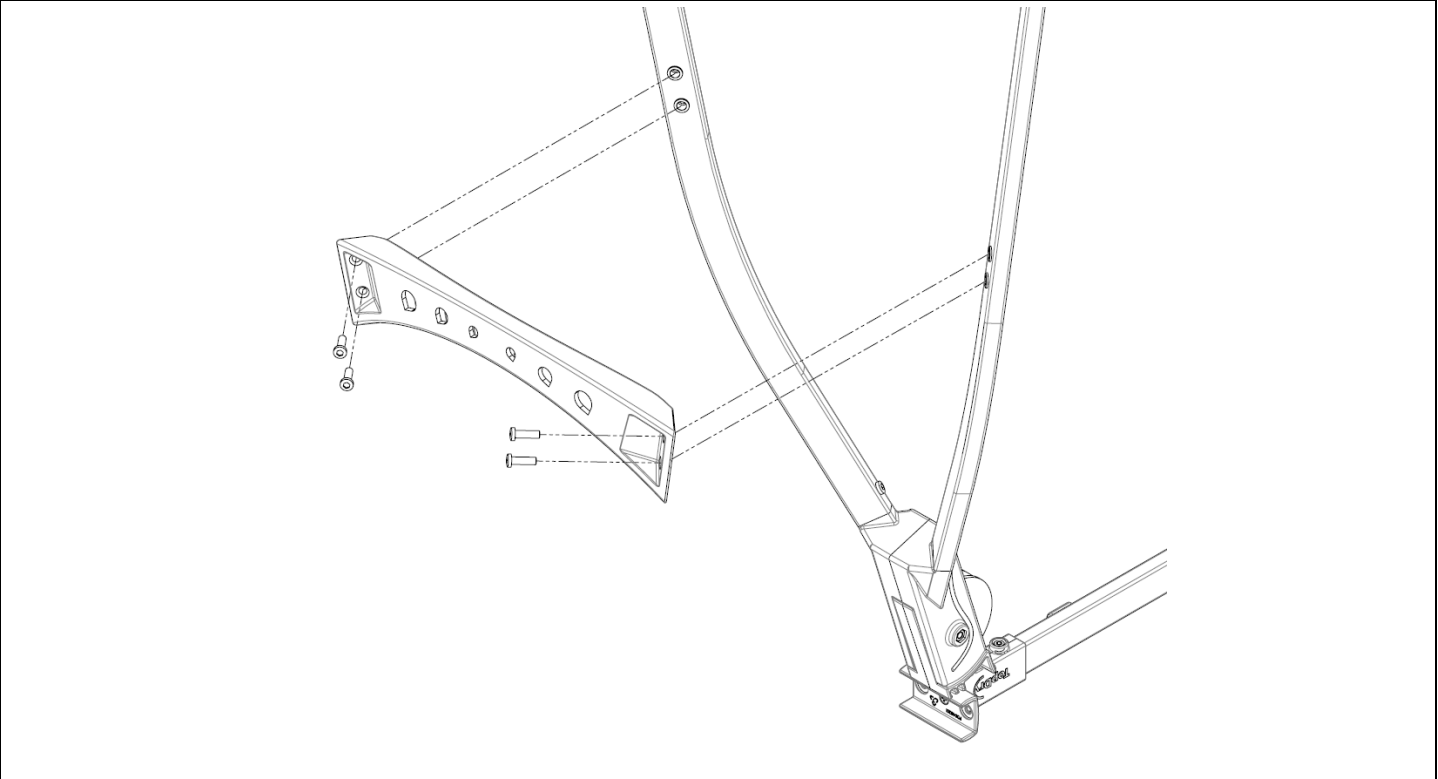


Step 3 – Rotate the Pivot to the open position and secure to the Spreader with screws (14 and 15).



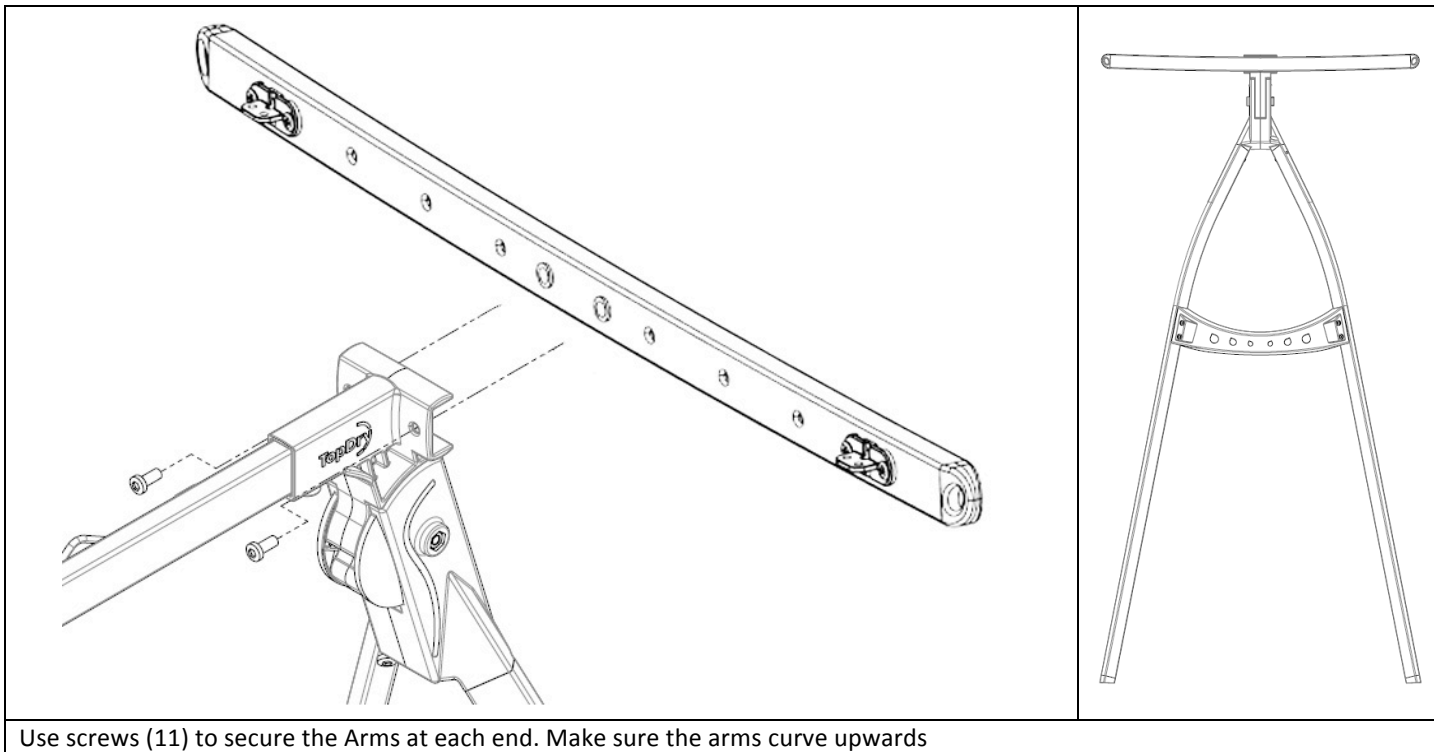
Step 4 – Fit the Legs and secure with screws (13) and nuts (9). Repeat for all legs.

3. Install the Leg Braces



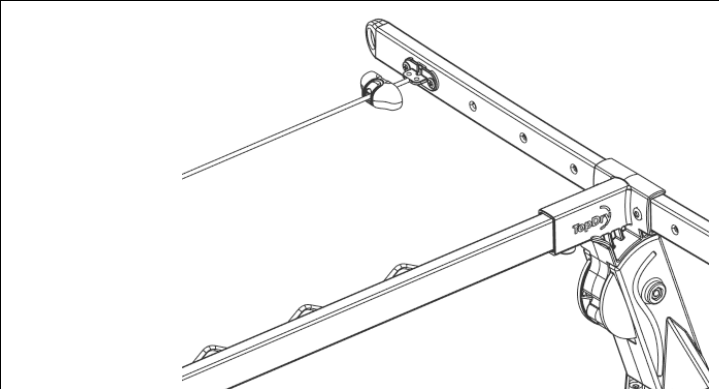
Secure the Brace to the Legs with screws (12). Repeat for both Braces.

4. Install the Arms

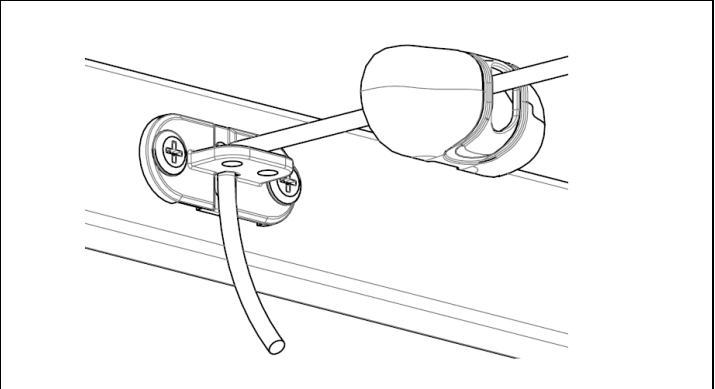


Use screws (11) to secure the Arms at each end. Make sure the arms curve upwards

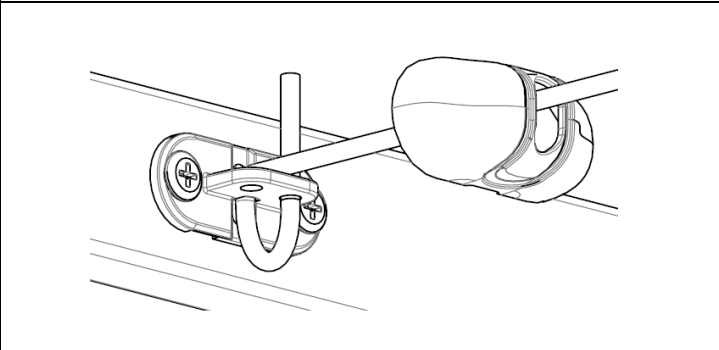
5. Thread the Line



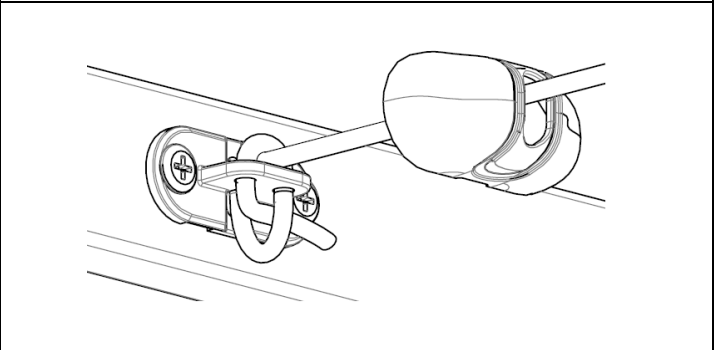
1



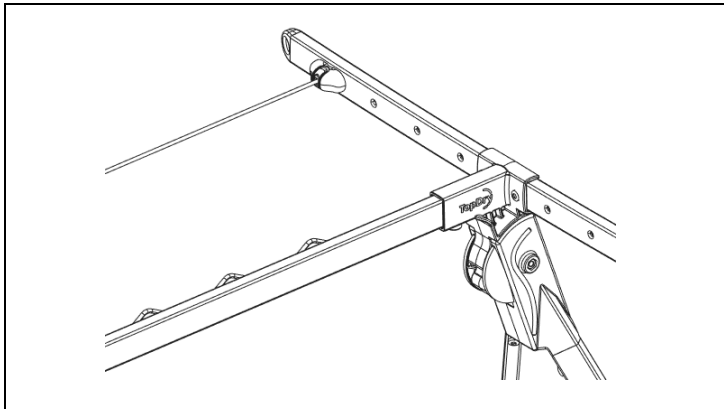
2



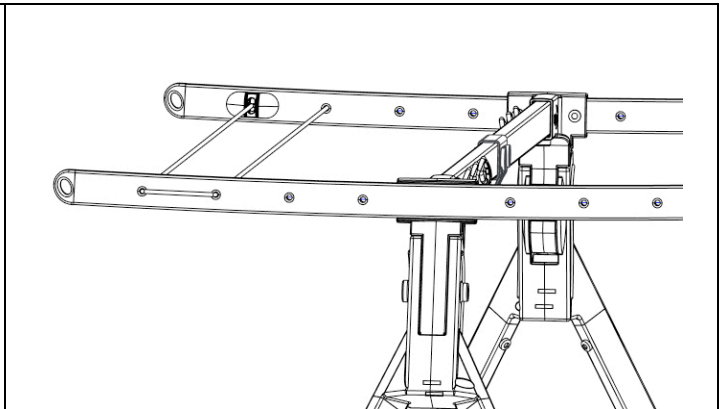
3



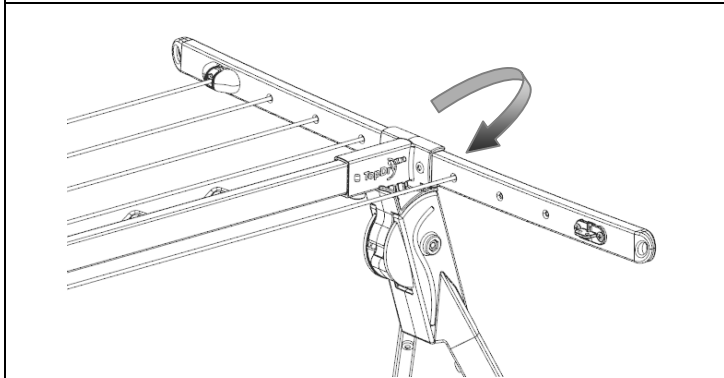
4



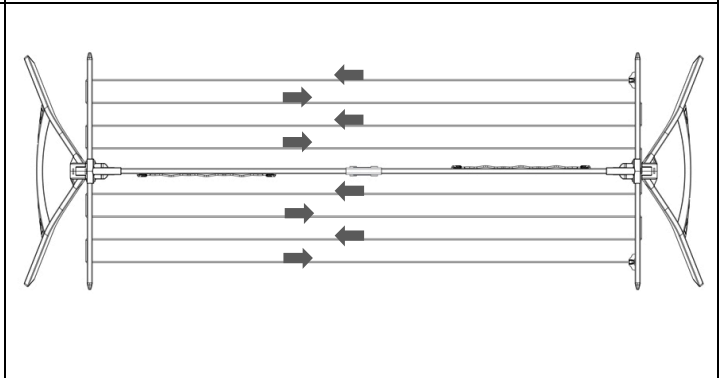
5



6

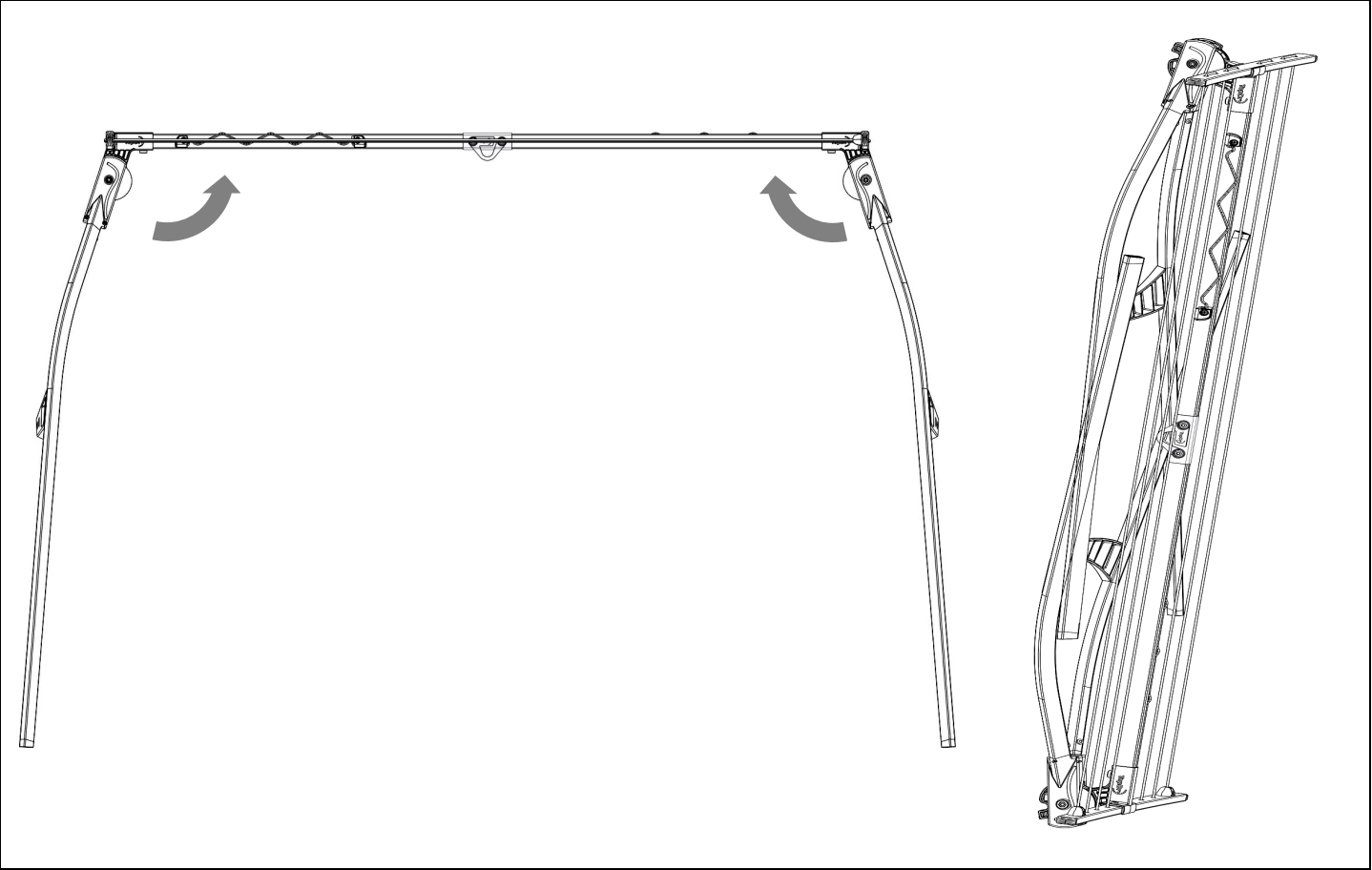


7

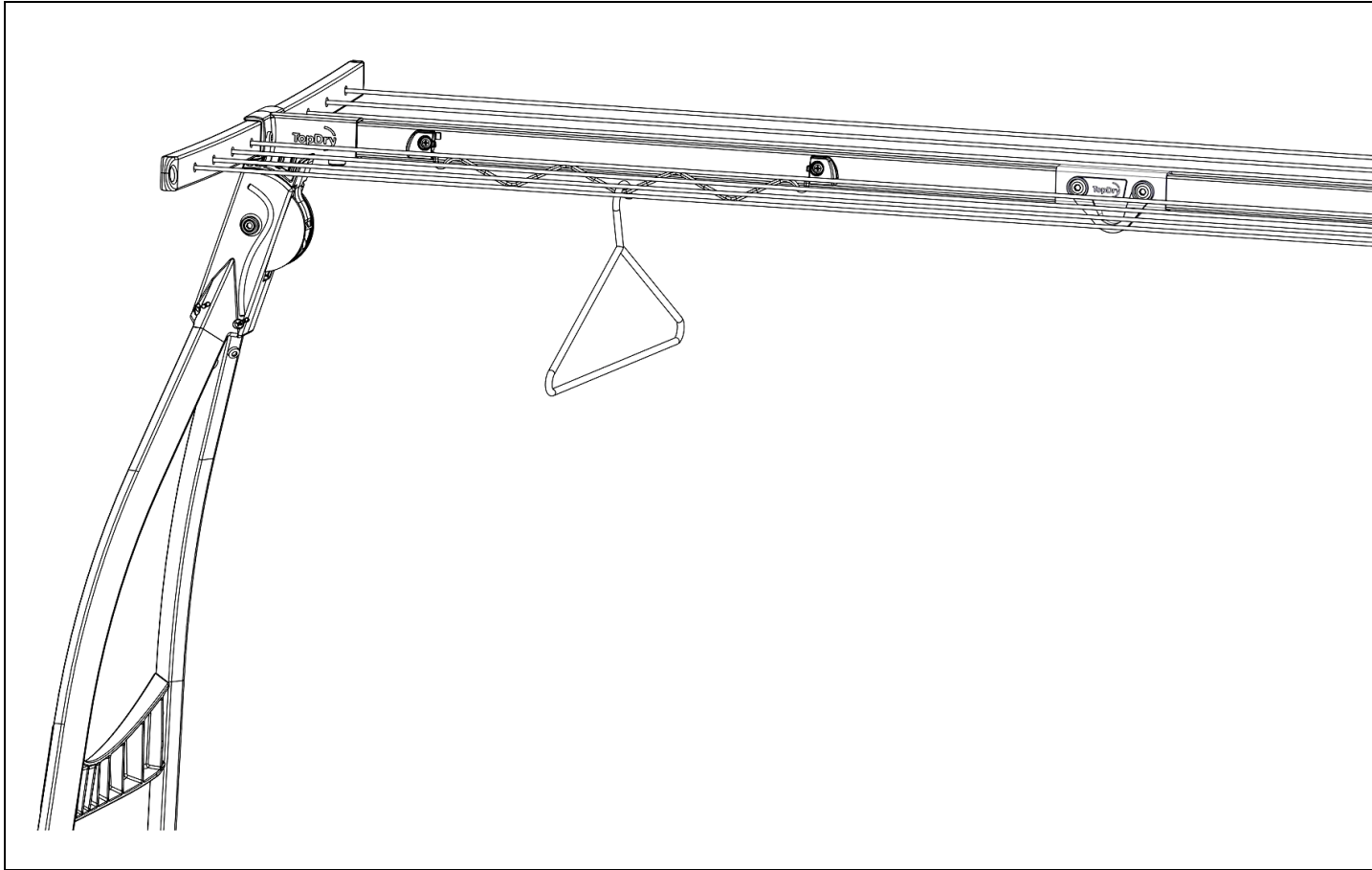


8

6. Folding the Legs



Coat hanger Racks



Warranty - Terms and Conditions

Any claim under this warranty must be made within 15 years of the date of purchase of the product. Please note that the PVC line is only covered for 12 months from date of purchase.

To make a claim under the warranty, take the product (with proof of purchase) to any Bunnings store (see www.bunnings.com.au for store locations).

Sales Force National Pty Ltd (t/a Zenexus) bears reasonable, direct, expenses of claiming under the warranty. You may submit details and proof into any Bunnings store for consideration.

The warranty covers manufacturer defects in materials, workmanship and finish under normal use.

This warranty is provided in addition to other rights and remedies you may have under law: our goods come with guarantees which cannot be excluded under the Australian Consumer Law. You are entitled to replacement or refund for a major failure and to compensation for other reasonably foreseeable loss or damage. You are also entitled to have the goods repaired or replaced if the goods fail to be of acceptable quality and the failure does not amount to a major failure. If the clothesline is repaired or partly replaced under warranty the original warranty will not be extended.

The warranty excludes damage resulting from product misuse or product neglect. The warranty covers domestic use only and does not apply to commercial applications.

This warranty is given by Sales Force National Pty Ltd (t/a Zenexus), ABN: 60 110 379 587. Phone: 1300 734 714 (AU), 0800 800 040 (NZ).
E-mail: customerservice@zenexus.com.au, customerservice@zenexus.co.nz. Website: www.zenexus.com.au

WARRANTY EXCLUSIONS

Fading due to weather exposure or damage to the frame and line through accident misuse or negligence.