

BACK

INITIAL SET UP


All quality timbers contain a natural resin which may initially bleed out of furniture and decking when wet. This resin can stain unsealed and porous surfaces such as paving. To control and accelerate this bleeding process and to avoid any unwanted staining you must hose your furniture down and allow to dry several times on a grassed area. This process must be continued until no more bleeding is evident. If this process is not followed any unwanted stains may be removed by scrubbing with a strong bleach solution, however if left, stains will fade naturally over a period of time.

Once you have completed the initial bleeding process it is highly recommended within the first 4 weeks to apply a Feast Watson Outdoor Furniture Oil or similar following the application instructions closely to ensure the best results.

MAINTAINING EUCALYPTUS TIMBER FURNITURE

This quality piece of furniture is made from FSC Hardwood Eucalyptus. With regular maintenance, you will enjoy it for years to come. Some simple steps will enable you to preserve the full beauty of the timbers. The amount of care required for your timber outdoor setting is directly related to the amount of exposure to the weather. Your timber setting has been pre-oiled in the factory but we highly recommend that it should not be left to weather – once exposed to the elements for even a few months without protection your timber may develop cracks, checks (small surface cracks) as well as lose colour. Therefore, applying timber oil is highly recommended within the first 4 weeks, it's an easy process of applying to the furniture by using a rag. "Remember to always rub in/rub off any excess oil after every application" In a fully protected environment (e.g. covered patio or verandah) we recommend a clear timber oil coating two or three times a year. In situations of full exposure to the weather we recommend you use oil with in-built UV protection, re-coating every three months. Please note that the above application periods are meant as a guide only. In periods of extreme weather conditions (high levels of rain or increased hours of sun) it is recommended that you increase the maintenance. We also recommend using covers on your furniture when it is not in use or during extreme weather conditions. Remember to tighten all hardware regularly or as required. Please refer to assembly instructions for additional information about maintaining your timber furniture

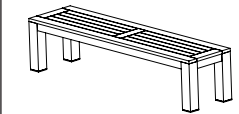
FRONT



CORAL BAY 3 PCE BENCH SETTING

ASSEMBLY INSTRUCTIONS

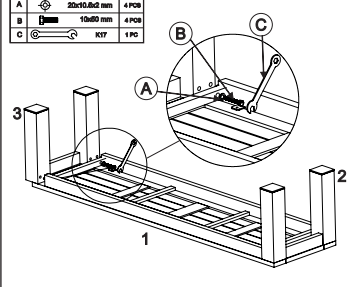
COMPONENT PARTS		FITTINGS	
PART	No.	Qty.	ID
1	1	1	1
2	1	1	1
3	1	1	1




COMPONENT CHECKLIST	
<input type="checkbox"/>	<input type="checkbox"/>
<input type="checkbox"/>	<input type="checkbox"/>
<input type="checkbox"/>	<input type="checkbox"/>

TOOLS REQUIRED	
<input type="checkbox"/>	<input type="checkbox"/>
<input type="checkbox"/>	<input type="checkbox"/>

A	20x10.8x2 mm	4 PCS
B	10x80 mm	4 PCS
C	KIT	1 PC



INSIDE



Eucalyptus Hardwood – FSC® CERTIFIED

ASSEMBLY

Easy to follow instructions are provided for the assembly of your furniture. As an added precaution we strongly recommend you choose to tighten dry loose fittings and joints after an initial period of use of around 3-6 months. For assured long life of your furniture, regular checking and tightening of any bolts should be carried out on a 6-12 monthly basis.

MAINTAINING YOUR TIMBER FURNITURE

This quality piece of furniture is made from FSC Eucalyptus Hardwood. With regular maintenance you will enjoy it for years to come. Some simple steps will enable you to preserve the full beauty of the timbers. The amount of care required for your timber outdoor setting is directly related to the amount of exposure to the weather. Your timber setting has been pre-oiled in the factory but we highly recommend that it should not be left to weather – once exposed to the elements for even a few months without protection your timber may develop cracks, checks (small surface cracks) as well as lose colour (the resin inside the wood, stain, maintaining oil will come off in the rain causing staining your tiles / floors). These cracks won't affect the structural integrity of the product. Therefore, DO NOT LEAVE OUTDOORS WHEN NOT IN USE, as well as applying timber oil is highly recommended within the first 4-6 weeks. It's an easy process of applying to the furniture using a rag. "Remember to always rub in/rub off any excess oil after every application"

In a fully protected environment (e.g. covered patio or verandah) we recommend an exterior timber oil coating two or three times a year. In situations of full exposure to the weather we recommend you use oil with built-in UV protection and re-coating every three months. Please note that the above application periods are a guide only. In periods of extreme weather conditions (high levels of rain or increased hours of sun) it is recommended that you increase the frequency of application. The frequency of applications will depend on the climate prevalent in your area and the appearance of the timber. We also recommend using covers on your furniture when it is not in use or during extreme weather conditions.

If the timber is exposed to rain, the surface fibers of the timber will die slightly and have a rough texture. This is normal. We recommend a light sanding with a semi-fine sandpaper to return surface to a smooth finish. Then use timber oil with built-in UV protection. If untreated, the outer surface will naturally weather to a grey color in time and surface checking (hairline cracks) may develop. "Feast Watson Furniture Oil" or a similar product is recommended for use to revitalize your Outdoor Timber Furniture. Please ensure that you follow the instructions for both preparation and application of your chosen oil.

NATURAL TIMBER PROCESS

There is a minimal risk of leaching/bleeding. All precautions have been taken to reduce the risk of timber leaching. In the unlikely event there is some leaching, we recommend the following process as a precautionary measure. All timbers contain a content of resins/oils which may initially bleed out when wet. This can stain unsealed and porous surfaces. As the nature of each piece of timber is different, the bleeding period is unpredictable in length of time. To accelerate the bleeding process and to avoid staining we highly recommend hosing the furniture down several times on a grassed area which diminishes the leaching process. Stains may be removed by scrubbing with a strong bleach solution, if left, stains will fade over a period of time. Damp timber surfaces could also stain clothing or curtains if bleeding has not been completed.

IMPORTANT SAFETY INSTRUCTIONS

- Furniture should not be dragged at any time. When moving furniture, lift it, do not drag.
- Avoid swinging backwards on the rear legs of furniture – it could cause breakage and personal injury.



BACK

INITIAL SET UP

All quality timbers contain a natural resin which may initially bleed out of furniture and decking when wet, this resin can stain unsealed and porous surfaces such as paving. To control and accelerate this bleeding process and to avoid any unwanted staining you must hose your furniture down and allow to dry several times on a grassed area. This process must be continued until no more bleeding is evident. If this process is not followed any unwanted stains may be removed by scrubbing with a strong bleach solution, however if left, stains will fade naturally over a period of time.

Once you have completed the initial bleeding process it is highly recommended within the first 4 weeks to apply a Feast Watson Outdoor Furniture Oil or similar following the application instructions closely to ensure the best results.

MAINTAINING EUCALYPTUS TIMBER FURNITURE

This quality piece of furniture is made from FSC Hardwood Eucalyptus. With regular maintenance, you will enjoy it for years to come. Some simple steps will enable you to preserve the full beauty of the timbers. The amount of care required for your timber outdoor setting is directly related to the amount of exposure to the weather. Your timber setting has been pre-oiled in the factory but we highly recommend that it should not be left to weather – once exposed to the elements for even a few months without protection your timber may develop cracks, checks (small surface cracks) as well as lose colour. Therefore, applying timber oil is highly recommended within the first 4 weeks, it's an easy process of applying to the furniture by using a rag. "Remember to always rub in/rub off any excess oil after every application" In a fully protected environment (e.g. covered patio or verandah) we recommend a clear timber oil coating two or three times a year. In situations of full exposure to the weather we recommend you use oil with in-built UV protection, re-coating every three months. Please note that the above application periods are meant as a guide only. In periods of extreme weather conditions (high levels of rain or increased hours of sun) it is recommended that you increase the maintenance. We also recommend using covers on your furniture when it is not in use or during extreme weather conditions. Remember to tighten all hardware regularly or as required. Please refer to assembly instructions for additional information about maintaining your timber furniture

FRONT

CORAL BAY 3 PCE BENCH SETTING

ASSEMBLY INSTRUCTIONS

COMPONENT PARTS		FITTINGS	
A	2x10x82 mm	4 PCE	
B	2x10x11 mm	4 PCE	
C	NUT	1 PCE	

PART	No.	Qty.	Ref.
Legs	4	1	A
Base	1	1	B
Hardware	1	1	C

TOOLS REQUIRED

- Wrench
- Phillips screwdriver

INSIDE

Eucalyptus Hardwood – FSC® CERTIFIED

ASSEMBLY

Easy to follow instructions are provided for the assembly of your furniture. As an added precaution we strongly recommend you choose to tighten dry loose fittings and joints after an initial period of use of around 3-6 months. For assured long life of your furniture, regular checking and tightening of any bolts should be carried out on a 6-12 monthly basis.

MAINTAINING YOUR TIMBER FURNITURE

The quality piece of furniture is made from FSC Eucalyptus Hardwood. With regular maintenance you will enjoy it for years to come. Some simple steps will enable you to preserve the full beauty of the timbers. The amount of care required for your timber outdoor setting is directly related to the amount of exposure to the weather. Your timber setting has been pre-oiled in the factory but we highly recommend that it should not be left to weather – once exposed to the elements for even a few months without protection your timber may develop cracks, checks (small surface cracks) as well as lose colour (the resin inside the wood, stain, maintaining oil will come off in the rain causing staining your tiles / floors). These cracks won't affect the structural integrity of the product. Therefore, DO NOT LEAVE OUTDOORS WHEN NOT IN USE, as well as applying timber oil is highly recommended within the first 4-6 weeks, it's an easy process of applying to the furniture using a rag. "Remember to always rub in/rub off any excess oil after every application" In a fully protected environment (e.g. covered patio or verandah) we recommend an exterior timber oil coating two or three times a year. In situations of full exposure to the weather we recommend you use oil with built-in UV protection and re-coating every three months. Please note that the above application periods are a guide only. In periods of extreme weather conditions (high levels of rain or increased hours of sun) it is recommended that you increase the frequency of application. The frequency of applications will depend on the climate prevalent in your area and the appearance of the timber. We also recommend using covers on your furniture when it is not in use or during extreme weather conditions. If the timber is exposed to rain, the surface fibers of the timber will rise slightly and have a rough texture. This is normal, we recommend a light sanding with a semi-fine sandpaper to return surface to a smooth finish. Then use timber oil with built-in UV protection. If untreated, the outer surface will naturally weather to a grey color in time and surface checking (hairline cracks) may develop. "Feast Watson Furniture Oil" or a similar product is recommended for use to revitalize your Outdoor Timber Furniture. Please ensure that you follow the instructions for both preparation and application of your chosen oil.

NATURAL TIMBER PROCESS

There is a minimal risk of leaching/bleeding. All precautions have been taken to reduce the risk of timber leaching. In the unlikely event there is some leaching, we recommend the following process as a precautionary measure. All timbers contain a content of resins/oils which may initially bleed out when wet. This can stain unsealed and porous surfaces. As the nature of each piece of timber is different, the bleeding period is unpredictable in length of time. To accelerate the bleeding process and to avoid staining we highly recommend hosing the furniture down several times on a grassed area which diminishes the leaching process. Stains may be removed by scrubbing with a strong bleach solution, if left, stains will fade over a period of time. Damp timber surfaces could also stain clothing or curtains if bleeding has not been completed.

IMPORTANT SAFETY INSTRUCTIONS

- Furniture should not be dragged at any time. When moving furniture, lift it, do not drag.
- Avoid swinging backwards on the rear legs of furniture – it could cause breakage and personal injury.