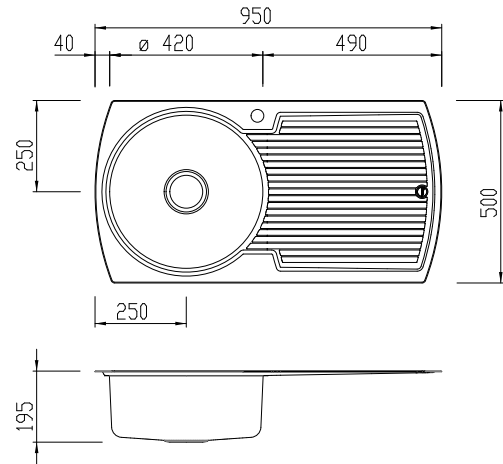


LR521

Solitaire

Oliveri®

LEFT HAND BOWL SINK



INCLUDED ACCESSORIES



RECOMMENDED TAPWARE



OPTIONAL ACCESSORIES



SPECIFICATIONS

Description

Round bowl inset sink with drainer

Sink Size

950W x 500H

Round Bowl

420W x 180D / 24L

Construction

2 piece, bowls & drainer seam welded

Material

304 grade, 18/10 polished stainless steel (0.8mm thick)

Installation

Inset recommended.

Fixings

Adjustable clips and sealing foam supplied

Cut Out Template

oliverisinks.com

Min Cabinet Size

500mm

Tap holes

Available 0 or 1 tap hole (specify when ordering)

Waste fittings

1 x 90mm basket waste included

Overflow

Not available

Carton Size

1062 x 567 x 237mm

Weight

10.0kg

Warranty

Lifetime manufacturer's warranty (refer to oliverisinks.com)

For more information call **1300 13 7465** or visit **www.oliverisinks.com**

