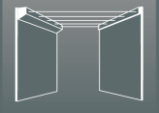
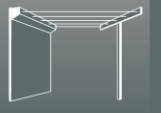
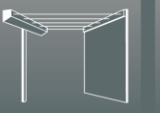



RetractAway 40 & RetractAway 50

Your Austral RetractAway clothesline is designed to last a long time. It is important to follow these instructions so you will enjoy the benefits of a properly installed clothesline. Incorrect installation or operation could damage your line and/or void your guarantee. If at any time your clothesline fails to function correctly or if spare parts are required then call your state distributor listed on the Warranty page.

IMPORTANT
 There is considerable stored energy in the RetractAway at all times.
**UNDER NO CIRCUMSTANCES REMOVE ANY SCREWS AT EITHER END OF THE UNIT,
 NOR ALLOW THE DRAW ARM TO RETURN UNASSISTED TO THE UNIT.**

SITE SELECTION & MOUNTING OPTION

Fig 1				
Cabinet	1	1	1	1
Wall Fixings ^t	4 ^t	2 ^t	2 ^t	-
Posts	-	1	1	2
Mount Bar	-	-	1	1
Socket *	- *	1 *	- *	1 *

Select a suitable site and mounting option for your RetractAway. The maximum span between the two mounting surfaces should not exceed 8 metres for a RetractAway 40 or 10m for a RetractAway 50. Minimum extension for RetractAway 40 or 50 is 2m. Allow a minimum of 500mm clearance (ideally 1 meter or more) on the sides for ease of use and for clothes to blow about. See Figures 1 and 2.

*A Socket will be required if the Post is to be removable.

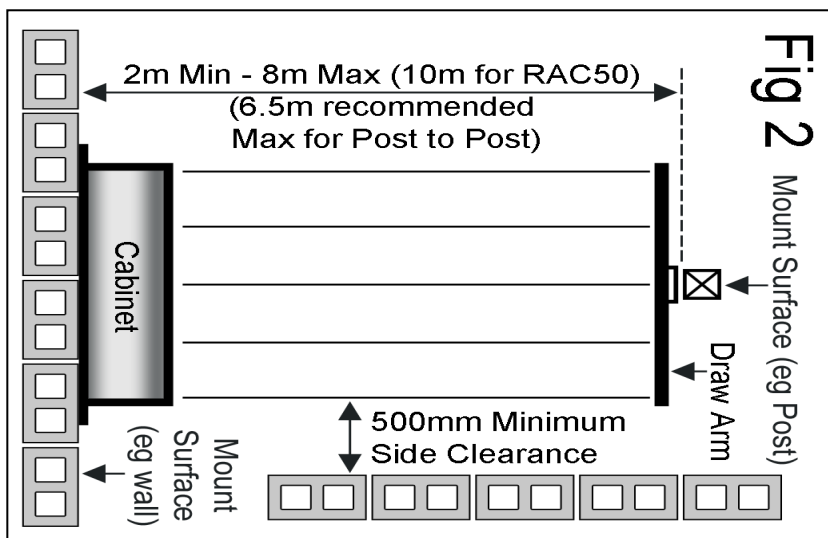
^t Wall fixings are not supplied as mounting surfaces vary.

For brick or block fixing use 8mm masonry anchors.

For timber fixing use 8mm coach screws.

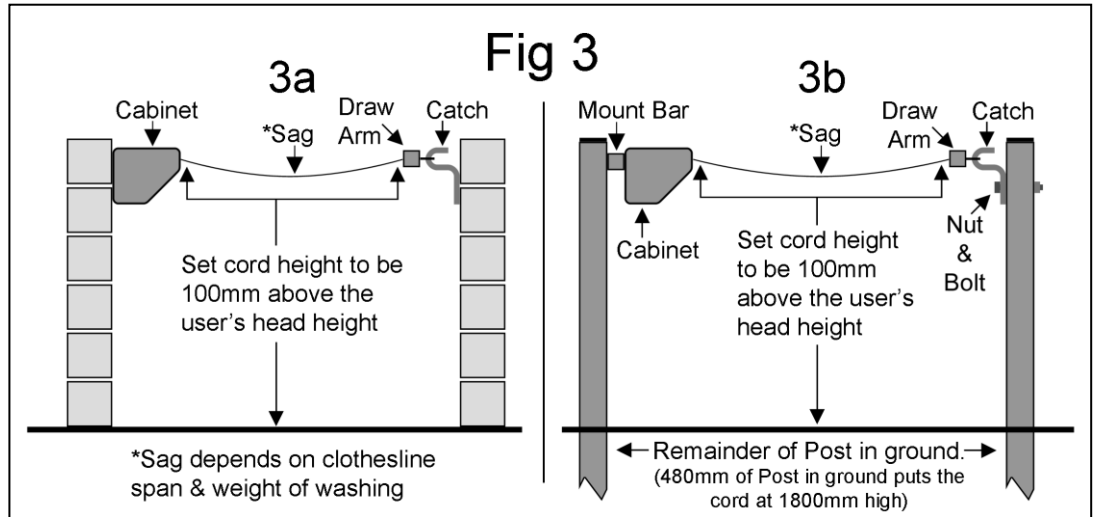
Please seek advice if fixing to alternative surfaces.

Support battens may be required to mount on some surfaces, timber fences, weatherboard, fibro, blueboard etc.



CORD HEIGHT

Due to distance that RetractAway can cover and weight of wet clothing, lines may sag in middle. To allow for this sag, RetractAway cabinet & Catch should be mounted so that cord is at least 100mm above user's head height. For long spans, particularly RetractAway 50, consider increasing this height. See Figure 3.



INSTALLATION STEPS



Wall to Wall

Parts required: 1x RetractAway Cabinet & 4x wall fixings

- Follow Steps For:
- Mount RetractAway to wall
 - Mount Receiving Catch to wall
 - LINE TENSIONING



Wall to Post

Parts required: 1x RetractAway Cabinet, 1x Post, 1x Socket & 2x wall fixings

- Follow Steps For:
- Mount RetractAway to wall
 - Mount Receiving Catch to Post
 - POST INSTALL (into soil OR with Ground Socket)
 - LINE TENSIONING



Post to Wall

Parts required: 1x RetractAway Cabinet, 1x Post, 1x Mounting Bar & 2x wall fixings

- Follow Steps For:
- Mount Cabinet to Post
 - POST INSTALL (into soil OR with Ground Socket)
 - Mount Receiving Catch to wall
 - LINE TENSIONING



Post to Post

Note: Maximum recommended extension for Post to Post is 6.5m

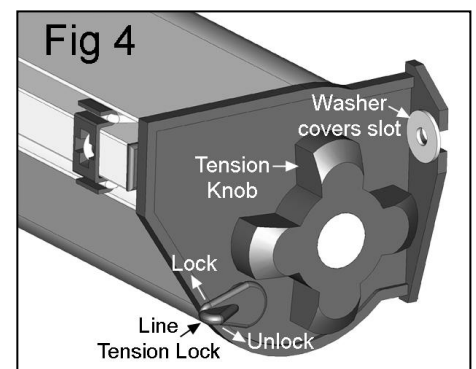
Parts required: 1x RetractAway Cabinet, 2x Posts, 1x Mounting Bar & 1x Socket

- Follow Steps For:
- Mount Cabinet to Post
 - Mount Receiving Catch to Post
 - POST INSTALL (into soil OR with Ground Socket)
 - LINE TENSIONING

Post

Mount RetractAway to wall

Position RetractAway Cabinet on wall so that mounting slots on either side are approximately 100mm above the users head height. Ensure Cabinet is level. Mark wall through both slots. Drill a hole on each mark to suit the fasteners. Fix RetractAway Cabinet to wall ensuring washers supplied with Cabinet are between the heads of the fasteners and the slots. See Figure 4.



Mount Receiving Catch to wall

Place the Receiving Catch against the wall opposite the Cabinet, ensure the Catch is centred to the Cabinet. Position the top of the Catch 100mm above the users head height. See Figure 3a.

Ensure the Catch is level. Mark the wall through both holes. Using the marks, drill two holes to suit fasteners. Fix Catch to wall using the remaining fasteners.

Mount Receiving Catch to Post

Fix Receiving Catch to Post with 8x65mm bolts supplied with Post. Fit black plastic End Cap to top of Post.

Mount Cabinet to Post

The Mounting Bar has nuts and bolts provided inside it. Use the long bolts to fix the Mounting Bar to the Post. Feed the short bolts through the washers supplied with the Cabinet. Use the short bolts to fix the Cabinet to the Mounting Bar ensuring washers are between the bolt heads and the slots on the Cabinet. See Figure 4.

POST INSTALL

IF DIGGING IS REQUIRED, ENSURE IT IS SAFE TO DO SO

Please note:

Austral cannot guarantee the stability of RetractAway Post installations due to soil variances. Please seek advice prior to Post installations to ensure appropriate footings are used. Consideration should be given to larger concrete footing to increase Post stability for some soil types (i.e. sandy, loose or un-compacted soils etc.).

Measure out the distance you want the Post to be at. See Figure 2 for minimum and max distances. Ensure this position is centred to where the other end of the clothesline is / will be. Mark the position on the ground, this will be the centre of the hole.

Install Post into soil

Dig a hole 200mm in diameter and deep enough so that when the Post is stood upright in the hole, the top of the Cabinet / Receiving Catch will be 100mm above the user's head height. See figure 3b. For a standard clothesline height of 1800mm high, put 480mm of post in the ground. See Figure 5b. Hint: Poor drainage around Post (ie soil type is clay or Post is installed at bottom of a slope) increases water exposure & chance of rusting. Increase drainage by adding gravel under Post as shown for Socket install in Fig 5a.

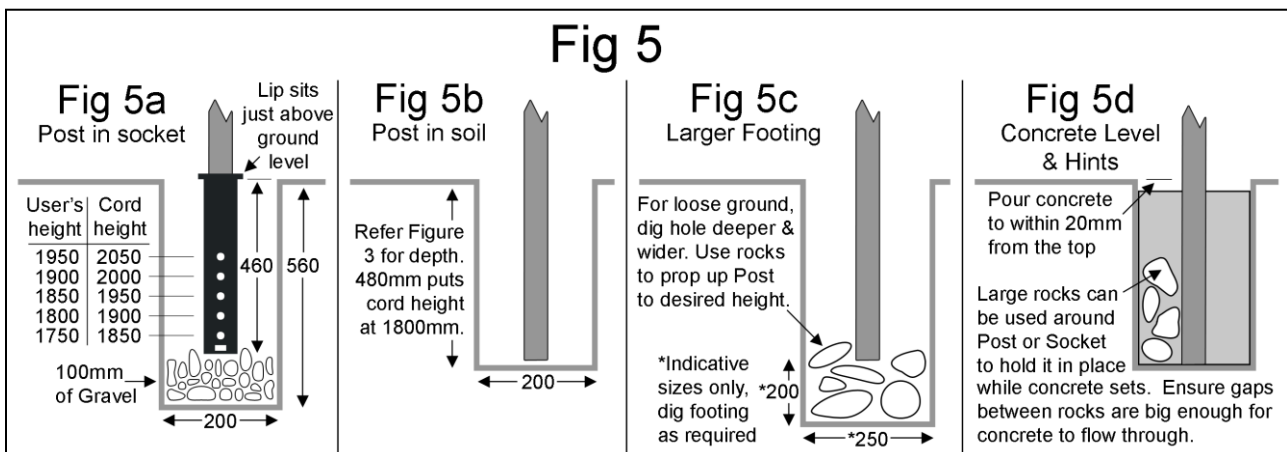
Install Post with Ground Socket

Dig a hole 200mm in diameter & 560mm deep. Fill hole with gravel (approx. 100mm) until top lip of Socket sits just above ground level. See Figure 5a. Remove Socket from hole. The Socket has 5 holes on its side, there is a Pin provided to go through these holes. Use Figure 5a to determine the best hole. Use a hammer to tap Pin through selected hole. Put Socket back in hole. Insert Post into Socket (after installation, cover the Socket with the Socket Cap whenever the Post is removed. Keep the Socket Cap in a convenient location ie hang it off the clothesline). Add a further 50mm of gravel into the hole around the sides of the Socket (this is for drainage).

Hints & Tips

Rocks or chunks of concrete may be placed in the hole around the Post/Socket to hold it in position while the concrete sets. The rocks should be large enough for concrete mix to flow through the gaps.

For sandy, loose or shifting ground you should consider a larger concrete footing to increase Post stability. To do this simply dig a larger hole, perhaps 250mm diameter by 700mm deep. It will require more concrete. Use large rocks to keep Post at desired height. See Figure 5c. Mix & Pour Concrete



1. Mix concrete in the ratio of 4 gravel, 2 sand and 1 cement or simply use premixed concrete packs. To hold the Post/Socket erect, the concrete must be mixed fairly dry but should still be wet enough that it sticks to itself when squeezed in the hand, it should not crumble.

2. Place the Post / Socket (with Post in it) in the hole. Ensure the Cabinet and/or Receiving Catch is facing the right way. Pour concrete to within 20mm from the top of the hole (finished ground level). See Figure 5d. Check the Post is plumb/vertical using a spirit level. Use a crowbar or similar to ram the concrete tight so it holds the Post/Socket in place. If the concrete has dropped below 20mm, top up with more concrete, check vertical and ram tight again. Fill last 20mm of hole with soil, press soil down gently with the sole of your shoe. Check vertical one last time. Now leave the concrete to set. DO NOT USE FOR 48 HOURS.

LINE TENSIONING

If Posts have been installed ensure concrete is set and dry before tensioning the lines. Extend the Draw Arm to the Receiving Catch. Flick the Line Tension Lock to the locked position at the Cabinet. Turn the Tension Knob a click or 2 in a clockwise direction. See Figure 4. Starting on the middle line, unclean the cord then pull the loose end to take up the slack. See Figure 6a. Re-clean the cord and fit it back into the Cord Tidy. See Figure 6b. Repeat for the 2 outside lines then the remaining 2 lines. Tension one cord at a time and ensure it is re-cleaned and back in the Cord Tidy before starting another. After all lines have been tensioned, snip off excess cord allowing 20mm tail. See Figure 6b.

RETRACTING THE CORD

Switch the Line Tension Lock to the unlocked position before retracting the Cord back into the Cabinet, this ensures minimum wear on internal gears. If there is a lot of tension on the Cord, the Lock may be harder to move. To make it easier, take tension off the Lock by turning the Tension Knob clockwise a little with the right hand. Whilst doing this, switch the Lock to the unlocked position with your the left hand. Then, unhook the Draw Arm from the Catch and slowly guide the Cord and Draw Arm back into the Cabinet.

MAINTENANCE & TIPS

- Occasionally check all nuts and bolts for tightness.
- Keep the Cap on the Ground Socket whenever the Post is removed.
- Re-tension Cords occasionally as required.

