

SUBLINE700UL, SUBLINE700ULG, SUBLINE700ULW

BLANCO



Model Code

SUBLINE700UL - Anthracite
SUBLINE700ULG - Rock grey
SUBLINE700ULW - White

Description

Single bowl sink with 2 level configuration



Optional Accessories

SUBLINEBK BDRAINP ANDCUTGCB
SUBLINECOLSS BWCB CAPFLOW

Warranty

30 year warranty



Features

Benefits

Engineered In Germany

Elegant SILGRANIT™ design impresses with its timeless, straight lined bowl geometry which will suit all types of kitchen products and worktops.

Durability

SILGRANIT™ PuraDur™ consists of 80% granite, which makes it unbeatably resilient, extremely durable, scratch resistant, heat resistant, unbreakable and acid resistant.

Hygiene + Plus™

A patented formula that acts as a shield against dirt and bacteria. This hygiene protection reduces bacteria growth by an average of 98%.

Maximum Bowl Size

Due to the smallest possible radii of 10mm it allows for a large sink area and a modern classy look.

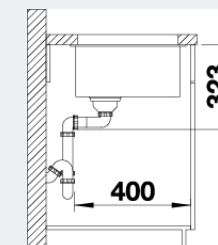
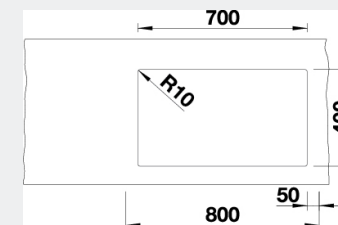
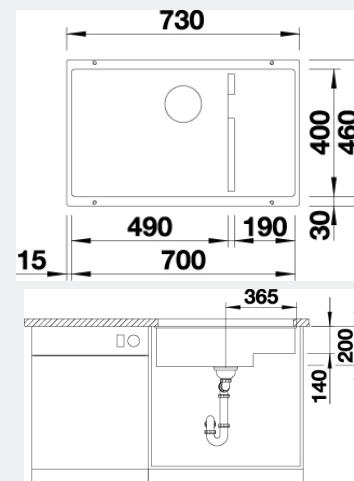
Designer Wastes

No additional costs after purchase.

Rear Waste Position

Increases your storage space below the sink.

Specifications



Method of Installation:	Undermount
Cabinet size:	80cm cabinet
Overall Dimensions:	730w x 460d x 200/140hmm
Cut-out Dimensions:	700w x 400d (refer to CAD drawing on the website for corner radii)
Colour:	Available in Anthracite, Rock grey, White
Main Bowl Capacity:	48 Litres
Standard Inclusion:	Designer Waste
Integrated Overflow:	Yes
Warranty:	30 years

Note: Measurements are within 2 -3mm of factory tolerance. It is advisable to check dimensions of physical product when measuring for installations and before doing any cut outs.

*Due to continual product development the information provided is not final and may be subject to change.



Acid resistant.

Non fading.

Heat resistant.

Stain resistant.

Scratch resistant.

Easy to clean.