

birdies 4 kids

ASSEMBLY

Before assembly and whilst unpacking, please be aware that there are sharp corners and edges that could cause injury and it is advisable to wear protective gloves when handling these items, sensible shoes are also recommended. Until such time as the SAFETY EDGE is fitted all necessary precautions need to be undertaken to avoid injury. It is recommended that this product be assembled by an adult.



IMPORTANT!!

We recommend placing the bottom edge of the bed on a 25-50mm layer of 10-20mm gravel, this allows excellent drainage and protects the bottom edge of the bed. Also placing the bed on level ground is advised. If filling the bed with a bobcat or backhoe fill the initial 1/3 of bed slowly. Also when filling your veggie bed do not climb in as this puts unnecessary pressure onto the bed.

STEP 1

Remove protective plastic covering
CHECK BOTH SIDES OF THE SHEETS & CORNERS

STEP 2

Please select the shape you wish to assemble using the configuration diagrams shown on the right hand side.
COLOUR POSITIONS OF EACH STRAIGHT PANEL AND CORNERS ARE AS SHOWN UNDER CONFIGURATIONS

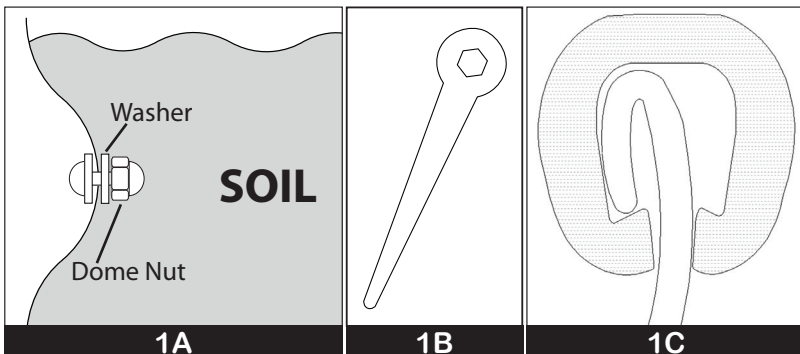
STEP 3

Please follow assembly diagram (see 1A) placing all dome nuts in loosely initially and then tighten. A dome nut tool is supplied (see 1B). Failure to tighten each dome nut and bolt to its maximum may cause failure. A screwdriver or cordless drill may assist with this process. ENSURE THAT YOU ATTACH THE CORNERS ON THE OUTSIDE OF THE STRAIGHT SHEETS

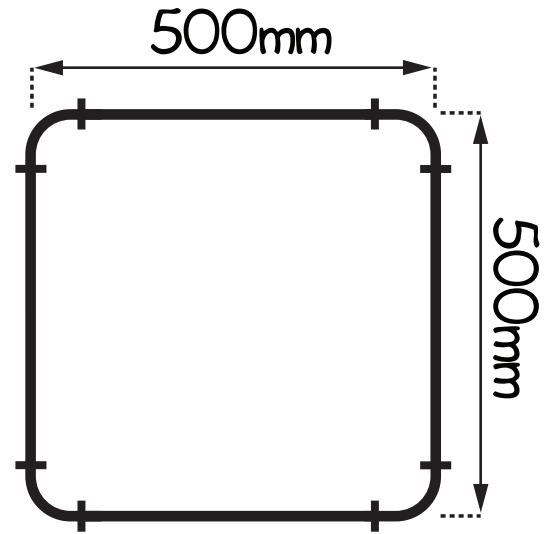
STEP 4

Simply push the edging onto the rolled steel edge and trim excess (see 1C). The safety edging is designed to lock onto the rolled steel edge making it more permanent.

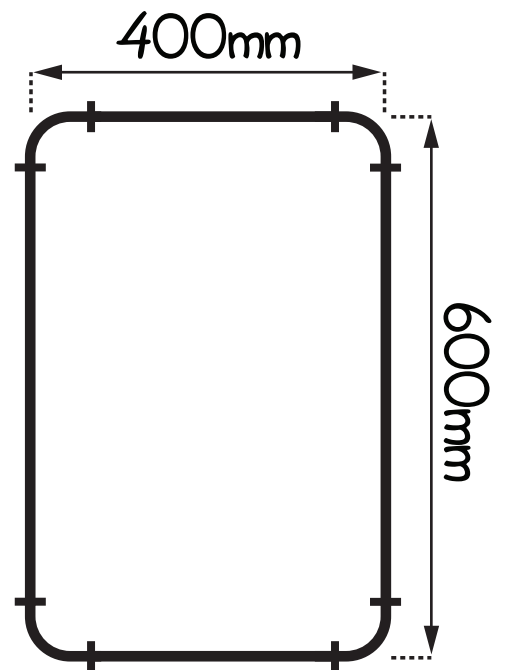
START THE EDGING HALFWAY ON A STRAIGHT SHEET



CONFIGURATIONS



SQUARE



RECTANGLE