



Warranty and Installation Guide

Flat Panel TV Safety Strap

Thank you for purchasing this Crest TV Wall Mount.

Crest prides itself on supplying quality audio visual accessories to consumers and businesses throughout Australia. If you follow this guide carefully, we are confident this product will help maximise the enjoyment you obtain from your audio visual equipment for many years. Please keep this guide for future reference.

1 YEAR WARRANTY

Olbertz Holdings Pty Ltd ACN 010 003 933 trading as Crest Electronics (Crest Electronics) of 165 South Pine Road, Brendale, Queensland, 4500, Ph: 1800 812261, Email www.crest.com.au, warrants that if this Crest product purchased by you from Crest or a retail outlet is found by Crest to be defective in workmanship or materials within 1 year of the date of purchase, Crest Electronics will (at its election) either repair that product, replace the product, supply an equivalent product or pay the costs of repairing or replacing the product or acquiring an equivalent product.

This limited warranty will not extend to or cover any expenses associated with removing, demounting the original product or installing the repaired, replaced or equivalent product or all or any of its components, you must bear these expenses. It also does not cover damage or loss resulting from intentional or unintentional misuse of, tampering with, alterations to or incorrect installation of this product or use of this product for purposes other than that for which it is designed or in a manner inconsistent with the product's instructions. This limited warranty also does not apply to damage or loss resulting from fair wear and tear or events beyond Crest Electronics' control including but not limited to natural disasters.

In order to claim under this warranty, you must contact Crest Electronics and return to Crest Electronics (via our nominated reply paid address) the product and its components and proof of purchase (including the date and location of purchase) so that Crest can verify the defect and your purchase. Our goods come with guarantees that cannot be excluded under the Australian Consumer Law. You are entitled to a replacement or refund for a major failure and compensation for any other reasonably foreseeable loss or damage. You are also entitled to have the goods repaired or replaced if the goods fail to be of acceptable quality and the failure does not amount to a major failure. The benefits given by this warranty are in addition to other rights and remedies which you may have under a law in relation to the goods or services to which the warranty relates.

INSTALLATION INSTRUCTIONS

IMPORTANT

1. Some images in this guide may vary slightly from the actual components supplied.
2. Ensure this Installation Guide is completely read and understood before attempting installation.
3. Strap **MUST NOT** be installed solely in plasterboard, fibre cement and similar surfaces.
4. Strap **MUST** be installed in sound supporting structures such as those made of timber, steel or masonry using appropriate fasteners.
5. The supporting structure must be capable of sustaining the combined weight of the TV mount and the strap otherwise the structure must be reinforced.
6. The fasteners supplied in this hardware pack allow for fixing into timber and masonry only. If installing into a supporting structure made of steel, appropriate fasteners must be used and sourced from an appropriate supplier.
7. Use appropriate tools and safety equipment and ensure adequate ventilation during installation.
8. If uncertain about any aspect of installation, contact Crest or an installation professional.
9. Crest holds no responsibility for incorrectly installed products.

TECHNICAL SUPPORT

If you have any questions regarding the warranty, installation or use of this product, please contact our Technical Support Centre on 1800 812 261.

CS1F This model will suit most flat panel TV as long as they weigh **60kg Maximum**

TOOLS REQUIRED

Drywall (Timber Frame) Installation

- Stud finder
- Spirit level
- Pencil
- Drill
- Long neck phillips head screwdriver
- 3mm diameter high speed drill bit
- Adjustable spanner

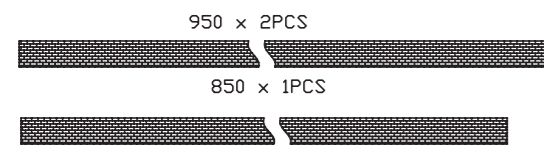
In addition, for Masonry Installation

- Drill with hammer function
- 10mm masonry drill bit
- Hammer

If installing on to glass, you will require

- Long neck philips head screwdriver

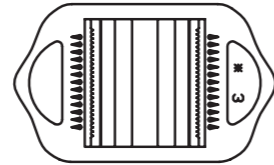
HARDWARE KIT CONTENTS



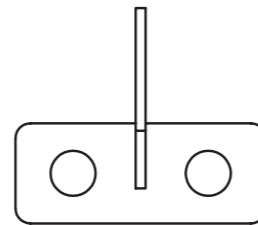
① Adjustable Strap



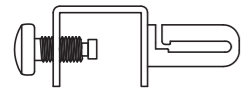
② Eye Hole Connector



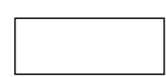
③ Plastic Buckle



④ Wall/Wood Connector



⑤ Glass/Wood Connector



⑥ 2pcs Rubber



⑦ M6*12Screw*2pc



⑧ M8*16Screw*2pc



⑨ M6*19.5Screw*2pc



⑩ M6*44Screw*2pc



⑪ Plastic*2pc



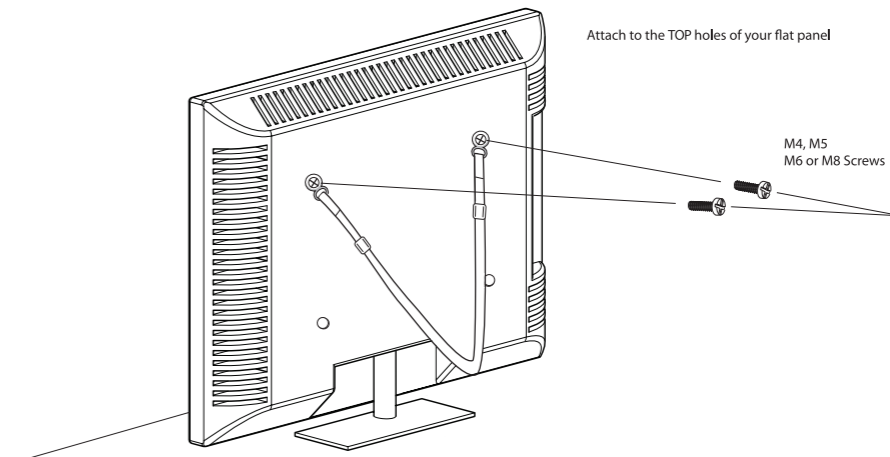
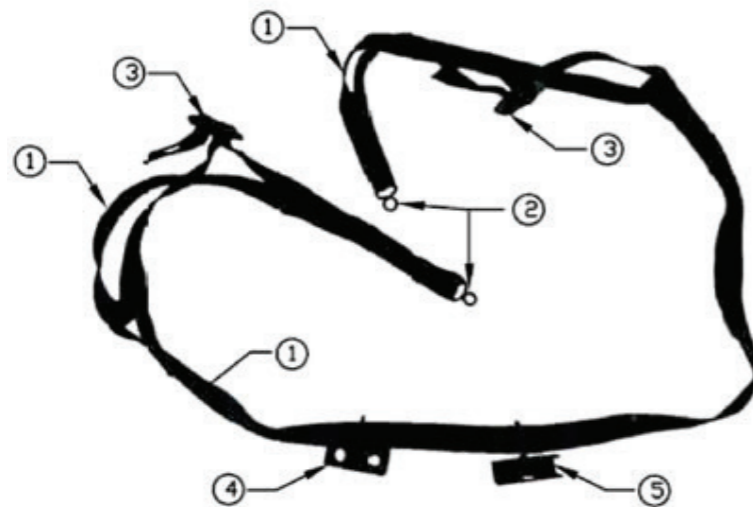
⑫ M4*12Screw*2pc



⑬ M5*12Screw*2pc



⑭ Washer*4pc

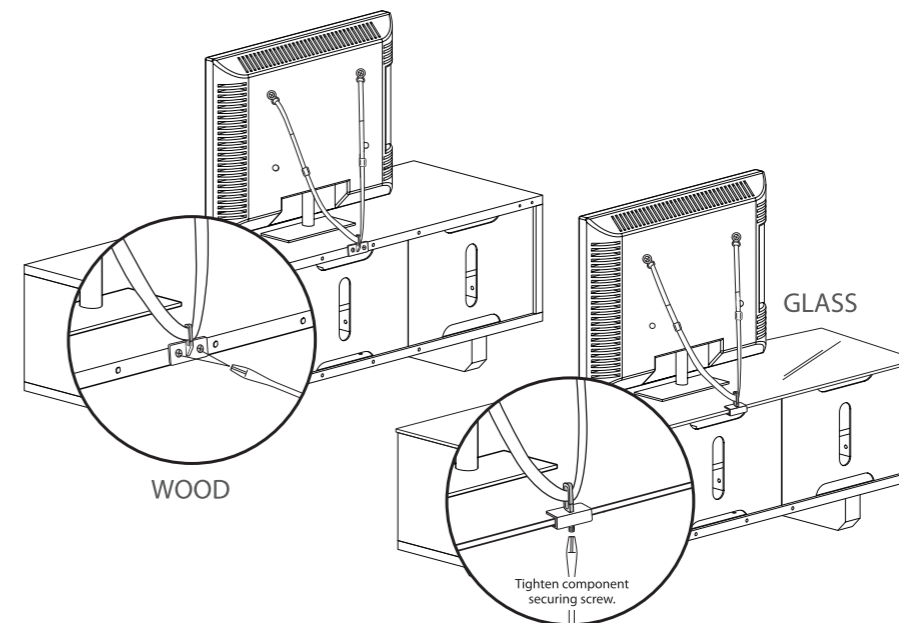


STEP 1 – DETERMINE WHICH CONNECTOR TO USE

1. If attaching to GLASS SHELF use connector #5 and rubber pads #6
2. If attaching to WOOD SHELF (and you don't want to screw the connector into it) use connector #5 and rubber pads #6
3. If attaching to WOOD SHELF (and you want to screw it in to the wood) use connector #4 and screws #9
4. If attaching to WALL use connector #4 and screws #10 (for timber stud wall) or #10 and #11 (for Masonry Wall).

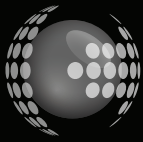
STEP 2 – SELECT THE CORRECT SCREW SIZE FOR ATTACHING THE STRAP TO THE BACK OF YOUR TV

1. The Hardware Pack contains 4 different sized bolts (#7, 8, 12, and 13) for attaching the strap to your TV.
2. Hand thread these bolts into the HIGHER threaded holes in the back of your TV so you can determine the correct size.
3. If none of these bolts fit you will need to purchase correct ones from your local hardware, Crest only supply's the most popular sized bolts.

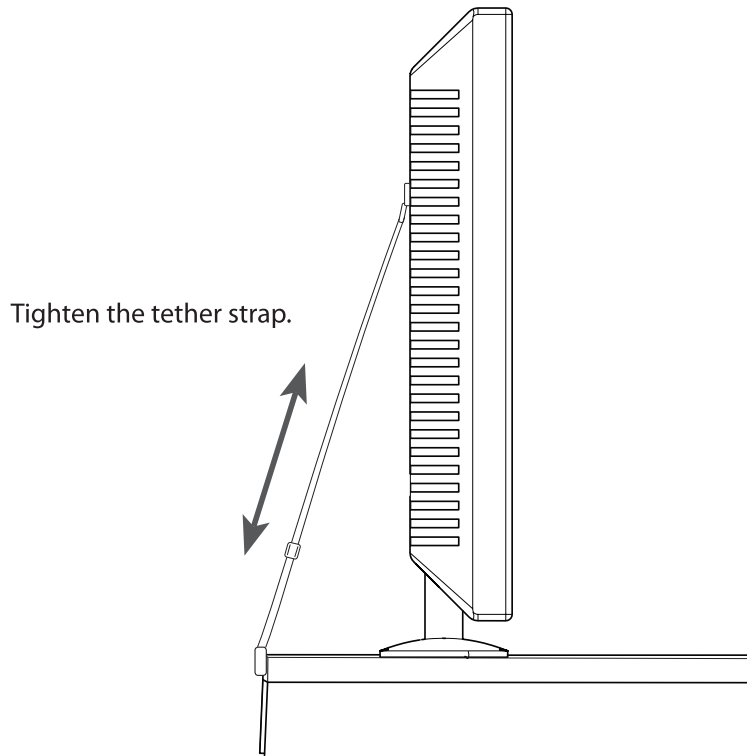


STEP 3 – POSITIONING YOUR FLAT PANEL TO THE DESIRED POSITION

1. Before attaching the strap to your TV and Furniture please ensure that your TV is sitting in the correct position.
2. If you have decided to screw the connector #4 to your wooden shelf, mark and drill two 3mm (wide), 10mm (deep) pilot holes in the appropriate position then attach using wood screws #9... DO NOT over tighten screws.
3. For attaching to a wall use connector #4 and mark desired position. When attaching to a cavity wall ensure the connector is screwed into the STUD (use stud finder to find location) then pre-drill holes using 3mm bit followed by screw #10. If going into a Masonry wall pre-drill holes with a 10mm Masonry Drill Bit then lightly tap Plastic Plug #11 into these holes. Once this is done you can then use screws #10 to attach connector. DO NOT over tighten screws.
4. For attaching to Glass/Wood Shelf position connector #5 in the right position with the rubber pads #6 between the glass/wood and the steel of the connector. Once this is done slowly tighten the screw provided with connector #5 using a screw driver. The screw just needs to be firm DO NOT over tighten this screw.



Warranty and Installation Guide Flat Panel TV Safety Strap



STEP 4 – SECURE STRAP TO FLAT PANEL TV

1. It is now time to secure your strap to the TV using the bolts you previously selected; a washer #14 can be used if required. It is important here to NOT over tighten these bolts but make sure they are securely attached.
2. Tighten the Strap between your TV and Furniture using the Locking Buckle #3. It is important here to make sure that the strap is tight and that your TV base is held flat to the furniture top.
3. After this is completed it is important to test your TV against accidental knock to ensure that your TV is in the correct position and that it is held stable.

