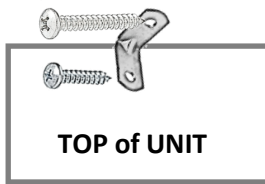




MULTISTORE

ASSEMBLY INSTRUCTION FOR EXC-750 H3

	WARNING: Serious injury or death can be caused by toppling furniture
Help prevent tip-over:	
<ul style="list-style-type: none"> Anchor this product to a wall or other suitable surface Check anchors regularly 	<ul style="list-style-type: none"> Avoid placing TVs on top unless the TV is also anchored Use drawer locks to prevent children climbing



When attaching unit to wall put safety bracket in middle of unit with 5/8 pan screw then 25mm pan head screw into wall. For plasterboard without a stud it is recommended to use a plug with screw (not provided).

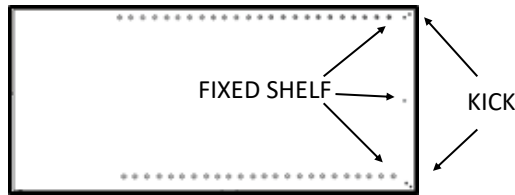
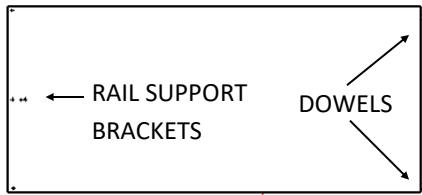
PARTS IDENTIFICATION LIST

<p>2 x TOP GABLES</p> <p>966mm x 445mm x 16mm</p>	<p>1 x CAM SHELF</p> <p>718mm x 445mm x 16mm</p>						
<p>2 x BOTTOM GABLES</p> <p>1035mm x 445mm x 16mm</p>	<p>2 x FIXED SHELF</p> <p>718mm x 445mm x 16mm</p>						
<p>2 x BACKING BOARDS</p> <table border="1" style="width: 100%; text-align: center;"> <tr> <td>975mm x 744 x 3</td> <td>962mm x 744 x 3</td> </tr> <tr> <td>FOLD LINE</td> <td>FOLD LINE</td> </tr> <tr> <td>TOP</td> <td>BOTTOM</td> </tr> </table>	975mm x 744 x 3	962mm x 744 x 3	FOLD LINE	FOLD LINE	TOP	BOTTOM	<p>1 x BOTTOM KICK</p> <p>718mm x 61 x 16mm</p>
975mm x 744 x 3	962mm x 744 x 3						
FOLD LINE	FOLD LINE						
TOP	BOTTOM						
	<p>1 x 717mm H MOULD</p>						

NO	MODEL	DESCRIPTION	QTY	NO	MODEL	DESCRIPTION	QTY
1		CONFIRMAT SCREWS	14	6		WHITE CAMS	4
2		CAPS	14	7		CAM PINS	4
3		DOWELS	4	8		5/8 PAN HEAD SCREWS	1
4		BACKING NAILS	75	9		25mm PAN HEAD SCREWS	1
5		710x30mmHanging Rail	1	10		"L" SAFETY BRACKET	1
				11		RAIL FLANGE 30mm	2



MULTISTORE



TAKE YOUR GABLES AND LAY THEM OUT FLAT, YOU SHOULD HAVE 2 X TOP & 2 X BOTTOM GABLES. USING A LITTLE WOOD GLUE (NOT SUPPLIED) IN YOUR PRE-DRILLED HOLES, INSERT YOUR WOOD DOWELS INTO 2 OF THE HOLES AND PUSH YOUR TOP INTO YOUR BOTTOM GABLE.

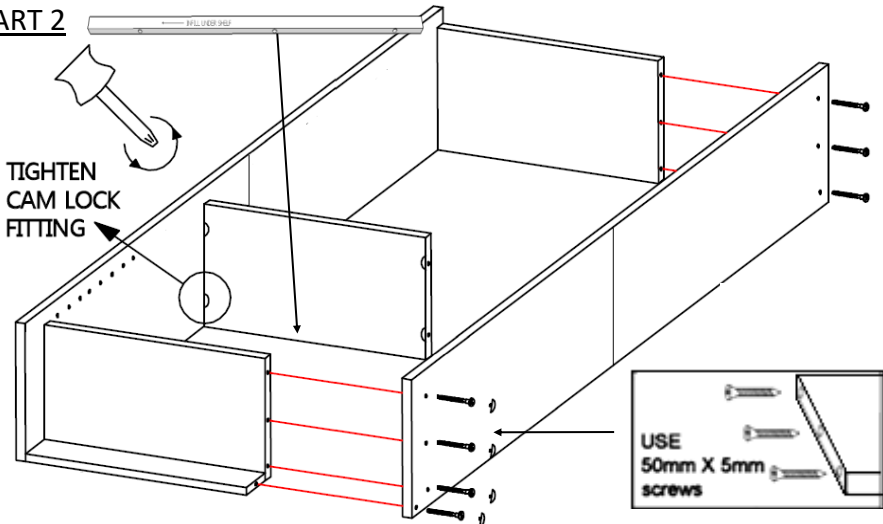
NEW STEP REQUIRES YOU TO OPEN PART 2 AND RETIREVE THE INFILL.

NEXT STEP:

YOU WILL NEED TO RETRIEVE THE INFILL FROM PART 2, USING 30mm 8 GAUGE SCREWS PROVIDED, ATTACH THE INFILL TO THE FRONT UNDER-SIDE OF THE CAM SHELF BEFORE PUTTING YOUR SHELF INTO PLACE.

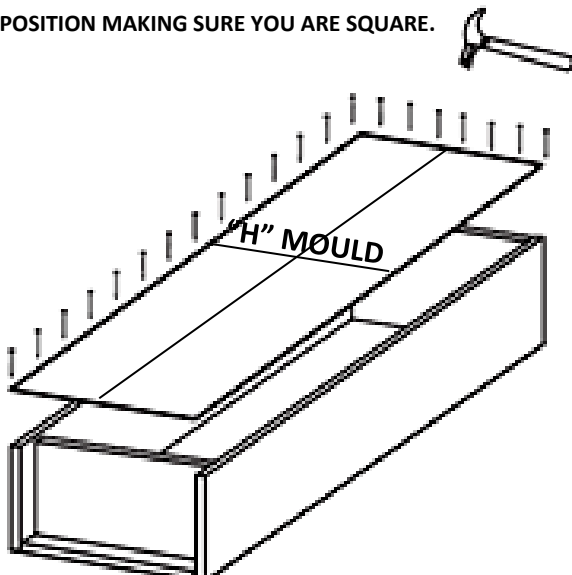
INSERT YOUR 4 PINS (7) INTO THE HOLE NO: (11) PROVIDED. INSERT THE CAMS INTO THE HOLES PROVIDED ON THE BOTTOM OF THE SHELF. USING SCREW DRIVER TWIST CAM INTO LOCK POSITION.

IN PART 2



ALIGN YOUR SHELVES AND KICK TO THE LEFT-HAND GABLE, SCREW THEM INTO PLACE ATTACH YOU RIGHT-HAND GABLE AND DO THE SAME.

FOLD OUT BOTH TOP AND BOTTOM BACKS, PROCEED TO NAIL HALF OF THE BOTTOM BACK AND HALF OF THE TOP BACK ATTACHED THE "H" MOULD TO JOIN THE 2 BASKS UP IN THE MIDDLE AND PROCEED TO NAIL THEM INTO POSITION MAKING SURE YOU ARE SQUARE.



YOU WILL NEED 2 X 5/8 x 6 WOOD SCREWS FOR THE NEXT STEP.

TAP INTO POSITION YOUR FLANGES INTO THE HOLES PROVIDED IF YOU WISH YOU CAN SCREW IN 1 SCREW INTO THE MIDDLE OF THE FLANGE AND SLIDE YOUR HANGING RAIL.



NEXT:-YOUR PART 2 IS REQUIRED

YOU WILL NEED THE DRAWER ASSEMBLY SHEET ON HOW TO CREATE YOUR DRAWER.