

click



30cm Drum Table Fan

USER MANUAL

Model Number: FT-30MD

AFTER SALES SUPPORT
(AU) 1300 886 649 (NZ) 0800 836 761



Contents

	Page
Important Safety Instructions	3
Product Overview	5
Getting Started	6
Instructions	9
Other Useful Information	10

Important Safety Instructions

READ CAREFULLY AND KEEP FOR FUTURE REFERENCE

Read this manual thoroughly before first use, even if you are familiar with this type of product. The safety precautions enclosed herein reduce the risk of fire, electric shock and injury when correctly adhered to. Make sure you understand all instructions and warnings. Keep the manual in a safe place for future reference, along with any warranty information, your purchase receipt and the packaging carton. If you sell or transfer ownership of this product, please pass on these instructions to the new owner. **Always follow basic safety precautions and accident prevention measures when using an electrical appliance, including the following:**

Electrical safety and cord handling

- **Voltage:** Make sure your outlet voltage and circuit frequency correspond to the voltage stated on the rating label. If this is not the case, do not use the fan.
- **Water:** To protect against fire and electric shock, do not immerse the cord, plug or the fan in water or other liquid, or expose the electrical connections to water. Ensure your hands are dry before handling the plug or switching on the fan. Do not use the fan outdoors or on wet surfaces. Protect it from liquid spills.
- **Damage:** Check the power cord regularly for visible damage. If the cord is damaged, it must be replaced by the manufacturer, its authorised service centres or appropriately qualified personnel in order to avoid any hazards.
- **WARNING!** Do not pick up or operate the appliance if the supply cord, plug or housing is damaged, or after it malfunctions or has been dropped or damaged in any manner. In case of damage, contact our after sales support centre.
- **Protect the power cord:**
 - Do not operate the fan with the cord coiled up; always fully unwind.
 - Do not twist or kink the cord or let it touch heated surfaces.
 - Do not put any stress on the cord where it connects to the product.
 - Never carry the fan by the cord.
 - Arrange the cord away from any traffic area so no one will trip over it.
 - Do not run the cord under carpeting or cover it with rugs or runners.
- **WARNING! No extension cord, no timer:** Do not use this fan with an extension cord, plug adaptor, external timer or separate speed control device.
- **Connection:** To insert the plug, grasp it firmly and guide it into outlet.
- **Disconnection:** Unplug the appliance from the power outlet when it is not in use and before cleaning, servicing, moving or storing the appliance. Grasp the plug and remove it from the outlet, do not pull the cord when disconnecting.
- **Guard removal:** Ensure that the fan is switched off from the supply mains before removing the guard (grille).
- **WARNING! Do not leave unattended during use!** Always switch it off and unplug when not in use, if left unattended, and before cleaning and storing.

Important Safety Instructions (Cont.)

- **WARNING!** Electric shock hazard! Do not plug in the fan until fully assembled.
- **RCD:** Unless your home is already fitted with a residual current device (safety switch), we recommend installing an RCD with a rated residual operating current not exceeding 30mA to provide additional safety protection when using electrical appliances. See your electrician for professional advice.

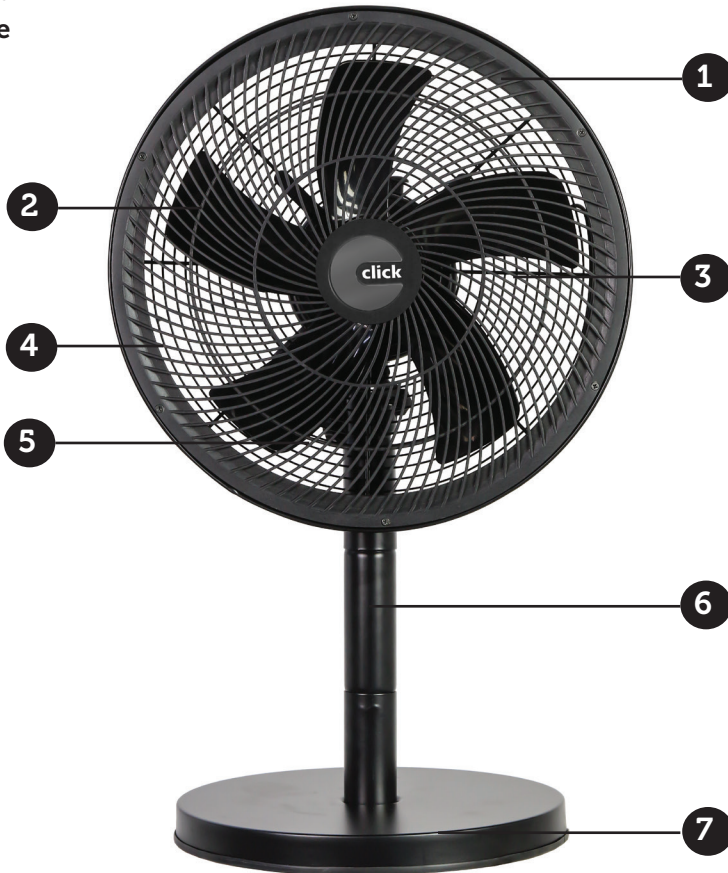
Usage conditions and restrictions

- **Domestic use only:** This fan is intended for indoor household use only. It is not suitable for commercial, industrial or outdoor use. Do not use it for anything other than its intended purpose (do not use it as a dryer), and only use it as described in this manual. Any other use may cause fire, electric shock or injury.
- **Attachments:** The use of accessory attachments not recommended in this manual may cause injury or hazards.
- **Usage restriction:** This fan is not intended for use by persons (including children) with reduced physical, sensory or mental capabilities, or lack of experience and knowledge, unless they have been given supervision or instruction concerning use of the appliance by a person responsible for their safety.
- **Children** should be supervised to ensure they do not play with the appliance. Close supervision is necessary when any appliance is used by or near children.
- **Location:** Place the fan on a dry, flat, stable surface to avoid overturning.
- **Keep the top clear:** Do not place anything on top of fan.
- **Proper assembly:** Do not operate the fan until fully assembled with all parts. Do not use the appliance without the protective grilles (rear and front guards). Do not attempt to force the grille in order to stop or start the fan.
- **WARNING! DO NOT use the fan in the following areas:**
 - Near an open flame, a hot burner, oven or other source of high heat.
 - On a soft surface (such as carpet) or where it may tip over during use.
 - Outdoors or in areas of high humidity without suitable ventilation (e.g., in a bathroom, laundry area), near a sink, washer, pool or any source of water.
 - Near curtains or in tight corners, to enjoy maximum airflow.
 - In areas where flammable substances (e.g., paint, petrol, etc.) are stored or being sprayed and there is a risk of explosion or fire.
- **CAUTION! Personal safety:** Avoid contact with moving parts. Never insert fingers, pencils or any other objects through the grilles when the fan is running. Keep hair and loose clothing well away from the fan when it is in use.
- **Free airflow:** Ensure nothing is blocking the airflow outlet and air intake grilles. Do not insert foreign objects into any opening as this may cause electric shock and/or a fire hazard.
- **Liability:** We assume no liability for any damages or personal injury caused by misuse of the product and/or failure to follow these instructions.

Product Overview

Parts list

- 1 Fan head assembly
- 2 Fan blade
- 3 Motor with oscillation knob and speed control (at the back, not visible here)
- 4 Safety guards (front and rear grilles)
- 5 Pivot knob (see page 8 for details)
- 6 Post
- 7 Base



NOTE:

Due to continued product improvement, images and illustrations in this manual may vary slightly from the product purchased. All images in this manual are for reference purposes only. Parts are not necessarily pictured to scale.

Getting Started

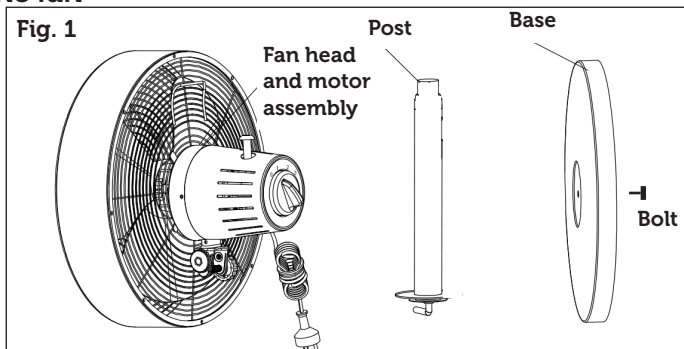
Before first use

- **Unpacking:** This product has been packaged to protect it against transportation damage. Unpack the appliance and keep the original packaging carton and materials in a safe place. It will help prevent any damage if the product needs to be transported in the future, and you can use it to store the appliance when it is not in use. In the event it is to be disposed of, please recycle all packaging materials where possible.
- **Safe packaging disposal:** Plastic wrapping can be a suffocation hazard for babies and young children, so ensure all packaging materials are out of their reach and disposed of safely.
- **Inspection:** Unwind the cord to its full length and inspect it for damage. Do not use the appliance if the appliance or its cord have been damaged or are not working properly. In case of damage, contact our after sales support centre for advice on examination, repair or return of the damaged product.
- **Documentation:** Make sure you have read and understood all instructions and warnings in this manual. Refer to the illustrations to familiarise yourself with the product and identify all parts. Pay particular attention to the safety instructions on the previous pages.
- **Assembly:** Your new fan has been shipped partially assembled to minimise packaging waste. Assembly instructions are provided on the following pages; the illustrations show how all the parts fit together.

WARNING: Electric shock hazard!

Do not plug the power supply cord into an electrical outlet until fully assembled.

Parts of the fan

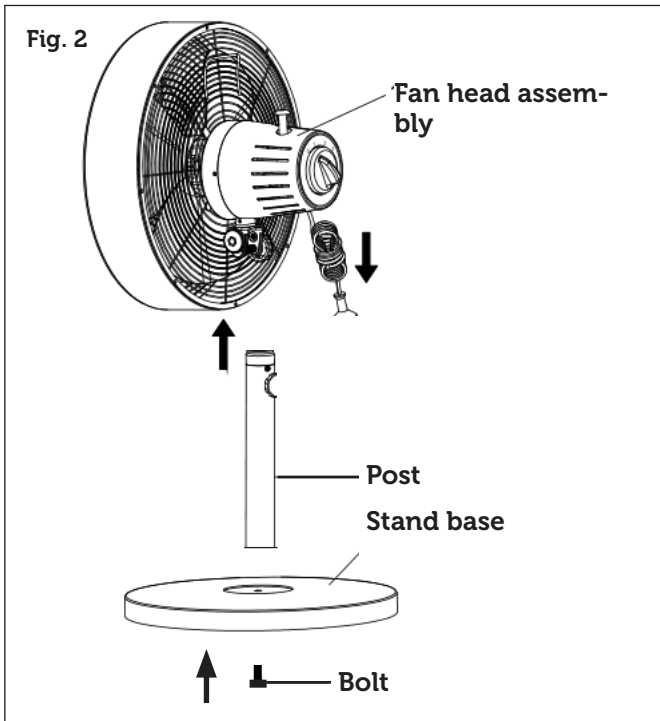


Getting Started (Cont.)

Assembly

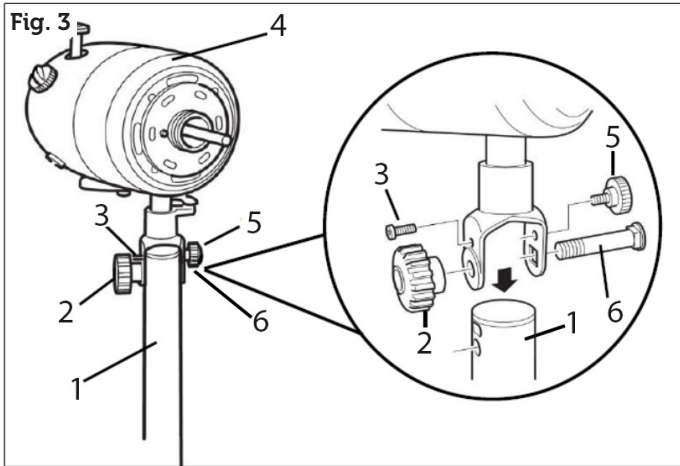
Fig. 2: Attaching the post to the base

- The bolt is attached to the post, or supplied separately. Unscrew the bolt, if applicable, and remove it from the bottom of the post.
- Turn over the stand base and thread the bolt from the underside of the base into the thread in the post. Tighten firmly, but do not overtighten.



Getting Started (Cont.)

Fig. 3: Attaching the fan head and motor assembly to the post



- 1 Post
- 2 Pivot knob
- 3 Neck retaining screw
- 4 Motor housing
- 5 Small adjustment knob
- 6 Large pivot bolt

NOTE: The illustration above shows the motor housing **without** the fan head. On the fan model you purchased, the fan head is already assembled to the motor housing.

- First remove the pivot knob (2) and the large pivot bolt (6) from the top of the post, then remove the neck retaining screw (3) and small adjustment knob (5) from the motor housing bracket.
- Place the fan head and motor assembly on the top of the post and thread the large pivot bolt (6) through the bracket. Screw in the neck retaining screw (3) and tighten, but do not overtighten.
- Fit the large pivot knob (2) onto the end of the bolt (6) and the small adjustment knob (5) at the other side above the bolt. Tighten the knobs while holding the fan motor upright.

Instructions

The fan is equipped with 3 speeds and an oscillation option. To use the fan, follow the simple instructions below.

Place the fan on a dry, level surface where it will not overturn during use. Make sure the speed control at the back of the motor housing is in the OFF [0] position, then insert the power plug into an appropriate electrical outlet.

Speed selection

The speed control is located at the back of the motor housing (Fig. 4). To select the fan speed, move the speed control from the OFF [0] position to the desired setting:

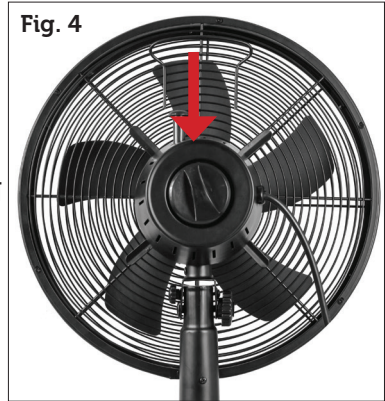
0 = OFF - 1 = LOW - 2 = MEDIUM - 3 = HIGH

Oscillation

- Press the oscillation knob on top of the motor housing to activate the oscillation function for widespread breeze distribution. The fan head will pivot from one side to the other.
- For stationary operation, pull up the oscillation knob when the air is blowing in the desired direction.

CAUTION: Do not reach across the front of the fan when operating the oscillation control to avoid the possibility of your clothing, sleeves, etc. entering and getting caught in the front guard.

Fig. 4



Tilt adjustment

The fan head assembly can be tilted to direct the breeze upwards or downwards to your desired angle.

- **CAUTION:** Make sure the fan is unplugged from the power supply before adjusting the tilt angle.
- Loosen both the larger tilt adjustment knob and the smaller tilt range knob. Tilt the head to the desired angle, and then tighten both knobs securely.

CAUTION: Do not tilt back the fan head further than it is intended to go. Doing so will damage the unit.

Other Useful Information

WARNING!

- Before cleaning, maintenance or moving the fan, and before removing a front or rear guard, switch off the fan and unplug it from the wall outlet.
- Do not immerse the fan in water or other liquids. Do not spray it with liquids. Do not allow water to drip on or into the fan motor housing.
- Never use petrol, solvents, harsh detergents, or abrasive or alkaline cleaners on the fan.

Cleaning and maintenance

- **Dusting:** Clean your fan periodically by lightly running a vacuum cleaner nozzle (soft brush) over the front and rear guards to remove any dust or dirt that may have accumulated inside or on the unit. Alternatively, use a soft, dry cloth for dusting.
- **End of season cleaning:** When you have finished using the fan at the end of the season, wipe off any dust to maintain it in good working order for the next season. To clean the blades, carefully remove the front grille: loosen the screws around the rim of the front grille and take off the grille. Carefully wipe the blades clean using a dry or slightly damp cloth and a little mild detergent, then wipe dry. Ensure all parts are thoroughly dry before reassembly.
- **Storage:** In the off season, store the clean and dry fan in a safe, dry location, protected from dust. We recommend using the original carton for storage of the disassembled product (follow the assembly instructions in reverse order to disassemble). Alternatively, place a large plastic bag or piece of material over the top of the cleaned fan for dust protection.
- **Service/repair:** The appliance requires no maintenance and contains no user-serviceable parts. Do not attempt to take the motor housing apart. Do not try to repair or modify the appliance. Do not operate the fan if its power cord or plug is damaged, or when it is working abnormally. In case of damage or malfunction, or if the cord is damaged, have the unit repaired by trained personnel only, or contact the after sales support line for advice on repair or replacement. Before phoning for a service, please ensure that your fan is properly assembled and connected to your power supply.

Other Useful Information (Cont.)

- **Stubborn stains:** Use a slightly damp, soapy cloth for stubborn stains but be sure the cloth is not too wet. Use caution around the motor housing. Do not allow the motor or other electrical components to be exposed to water.

Technical specifications

Power	35W, 220-240V~, 50-60Hz
Fan speeds	3 (Low - Medium - High)
Dimensions (mm)	565 (height) 280 (base diameter) 350 (fan head diameter)
Weight	3.7kg (approx.)

Compliance

This appliance has been fully tested and meets all requirements as set out by standards AS/NZS 60335.1 and AS/NZS 60335.2.80.



The RCM Mark (Regulatory Compliance Mark) indicates that the product complies with the relevant guidelines of the ACMA as well as corresponding government requirements for the safety of electrical devices.

Responsible disposal

- At the end of its working life, make the appliance unserviceable by unplugging it from the power outlet and cutting the power cord.
- Do not throw this appliance out with your household rubbish. Electrical and electronic products contain substances which can have a detrimental effect on the environment and human health if disposed of inappropriately. Observe any local regulations regarding the disposal of electrical consumer goods and dispose of it appropriately for recycling. Contact your local authorities for advice on recycling facilities in your area.

Warranty returns

Should you for any reason need to return this product for a warranty claim, make sure to include all accessories with the product.

Product does not work?

If you encounter problems with this product, or if it fails to perform to your expectations, make sure to contact our After Sales Support Centre on (AU) 1300 886 649 or (NZ) 0800 836 761 for advice.

Distributed by Tempo (Aust) Pty Ltd ABN 70 106 100 252

PO BOX 6056 Frenchs Forest, Australia NSW 2086

Customer Helpline:

(AU) 1300 886 649 (NZ) 0800 836 761

Email: info@tempo.org

For an electronic copy of this manual, please contact our after sales support centre.

IM Version No: V1.0

Issue: May 2020

AFTER SALES SUPPORT

☎ (AU) 1300 886 649 (NZ) 0800 836 761 | ✉ info@tempo.org