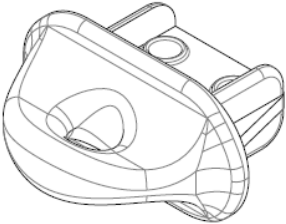
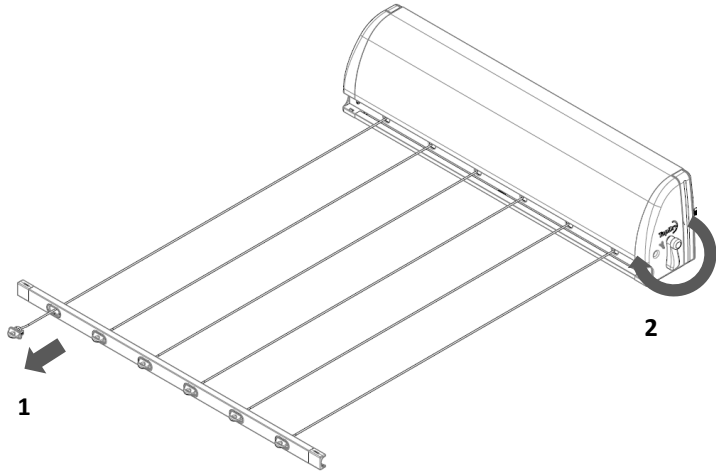


**TOPDRY Retracting Line – Grommet Installation Instructions**

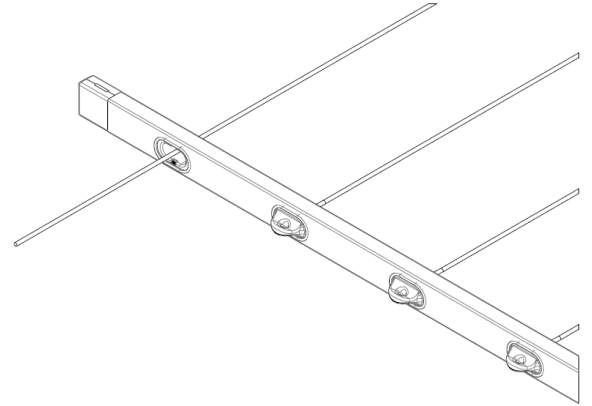
**Parts List**

AD05527	Line Hook	 A technical line drawing of a line hook. It is a U-shaped component with a circular opening in the center. The hook has a textured, ribbed surface on its outer curve. At the top of the hook, there is a rectangular section with a circular hole and a small protrusion on the right side.
---------	-----------	--

## Remove the Line Hook

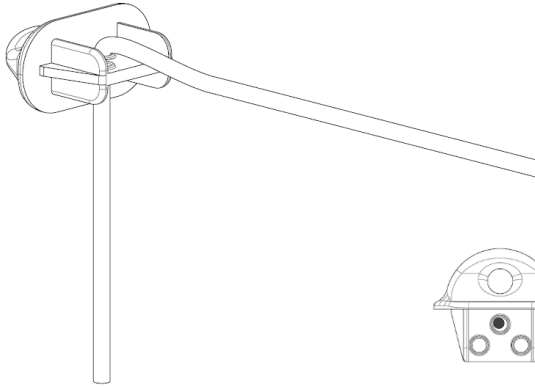


1. Pull out the Front Bar at least 1 metre and extend the line with the Line Hook to be changed an additional 100mm
2. Lock the line tensioner

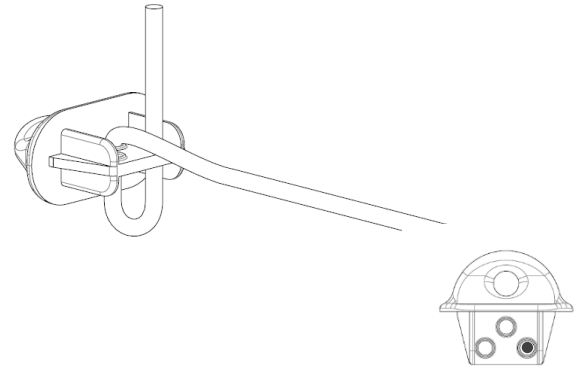


3. Unthread the line from the Line Hook to be replaced.

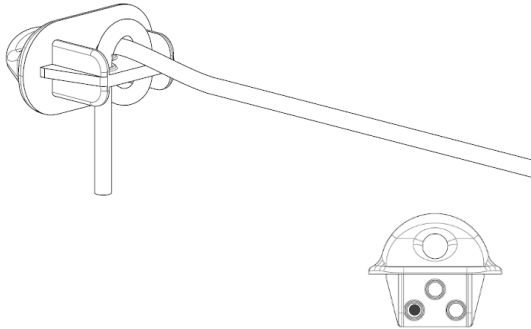
## Fit the new Line Hook



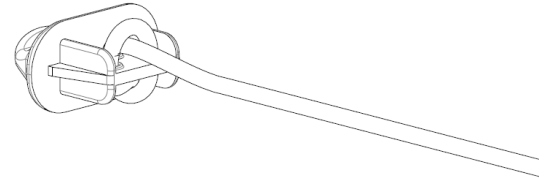
1. Thread the line down through the Line Hook



2. Loop the line up through the Line Hook



3. Loop the the line over and down



4. Insert the end of the line in the loop formed in step 4 and tighten