

AEG

POWERTOOLS

AHT1852B

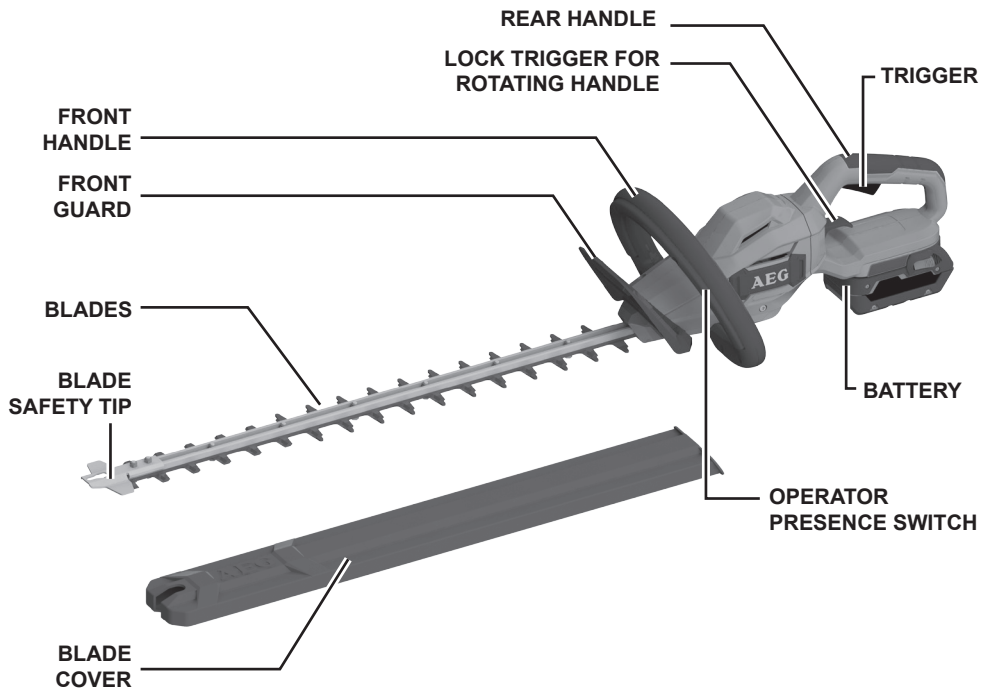
AHT1852BS6

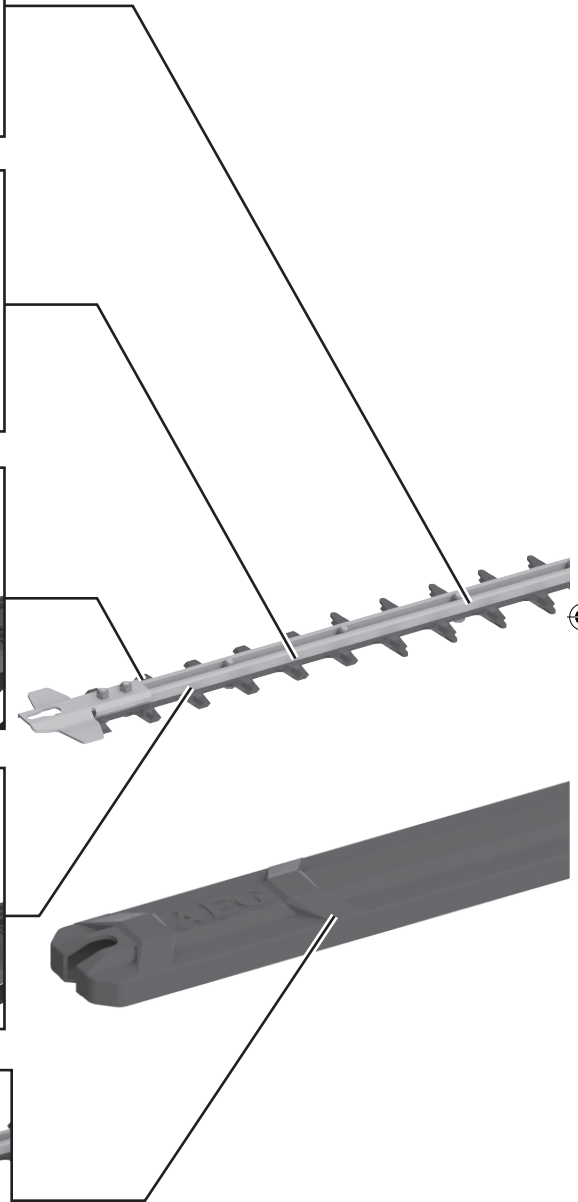
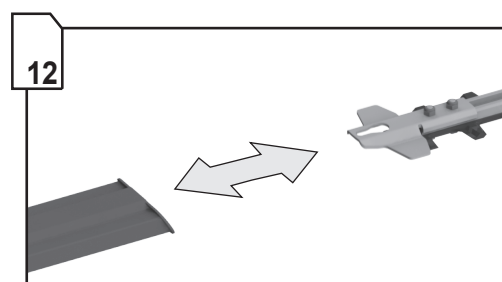
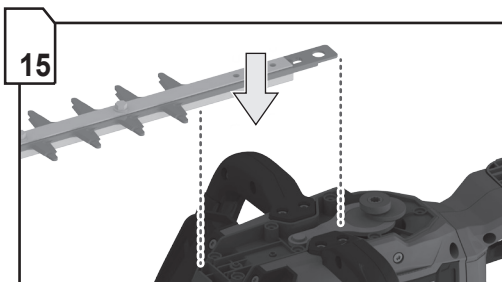
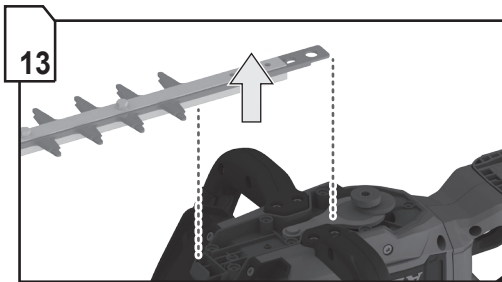
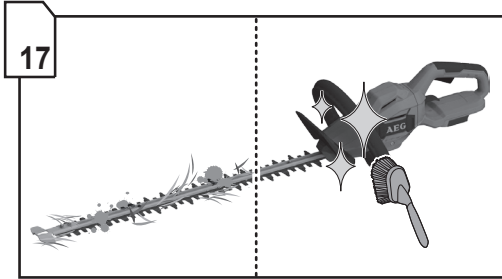
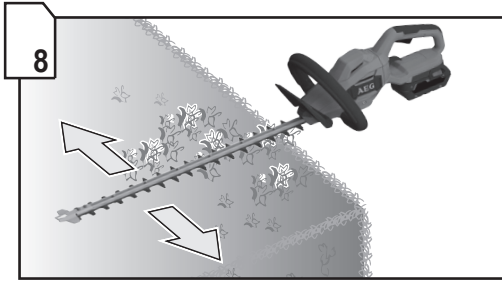
Original instructions

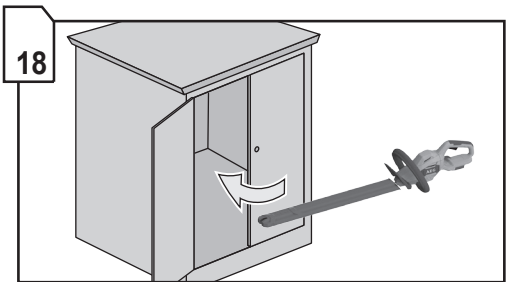
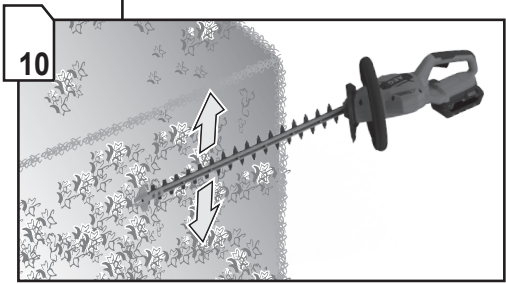
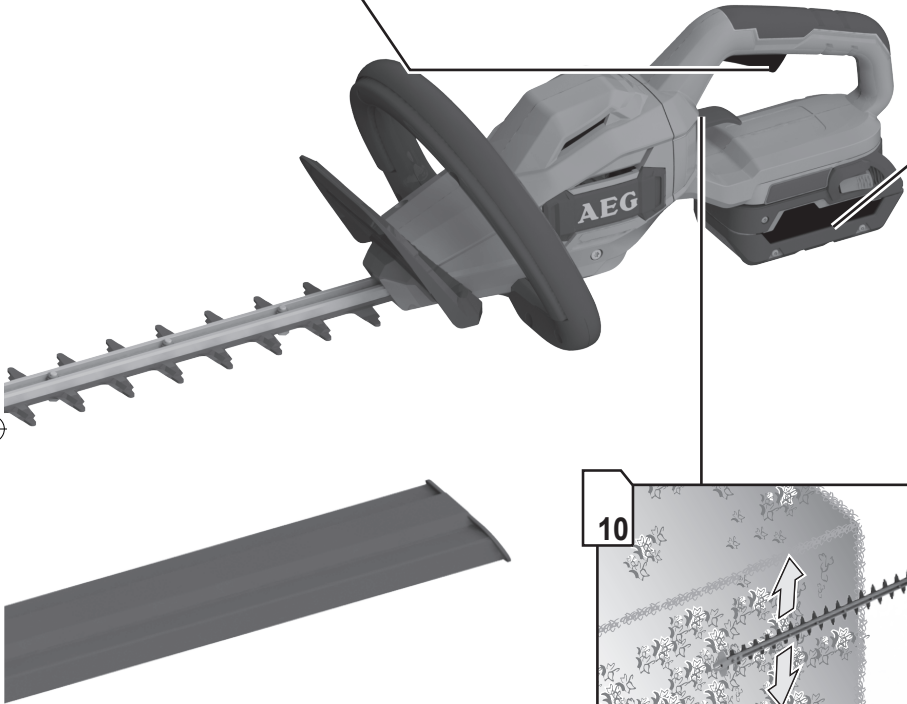
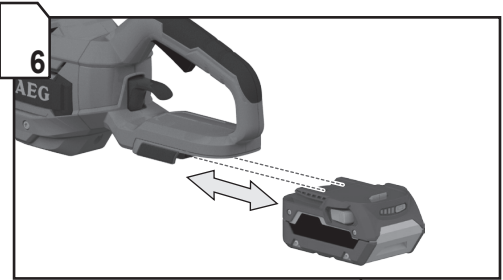
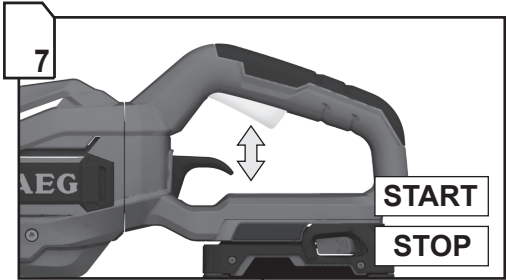
Important!

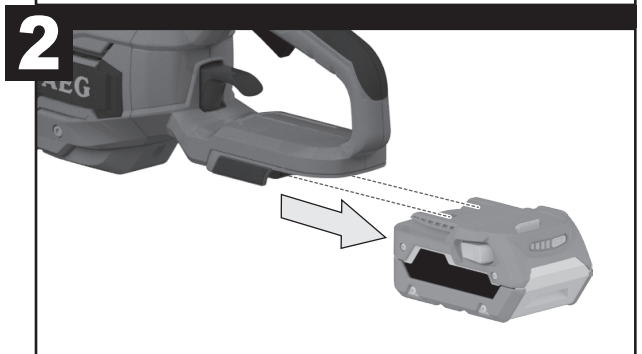
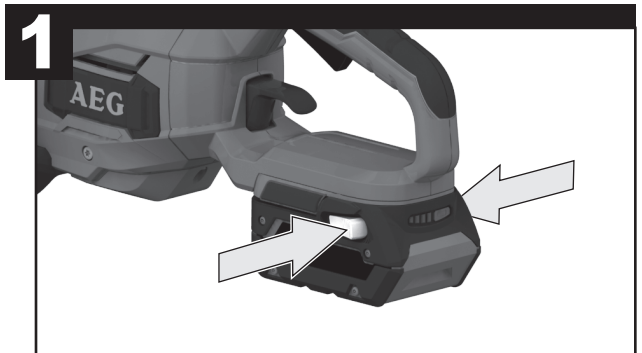
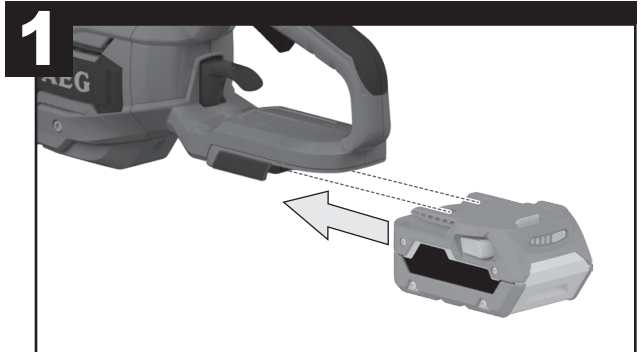
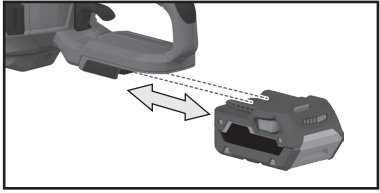
It is essential that you read the instructions in this manual before assembling, operating, and maintaining the product.

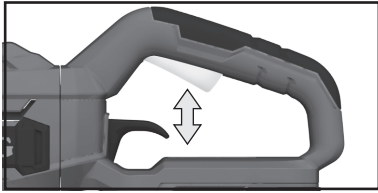
Subject to technical modifications.



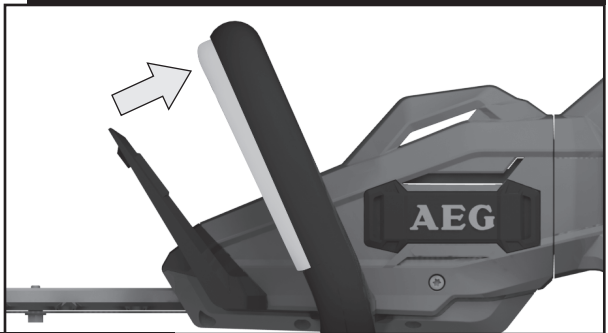
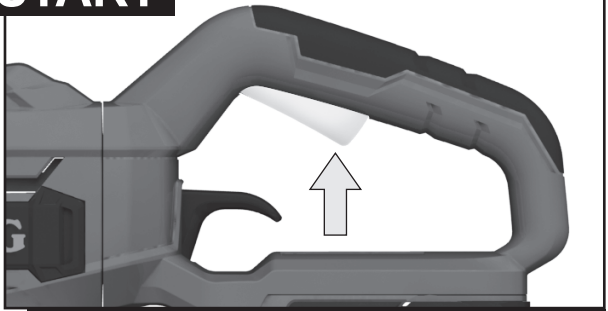






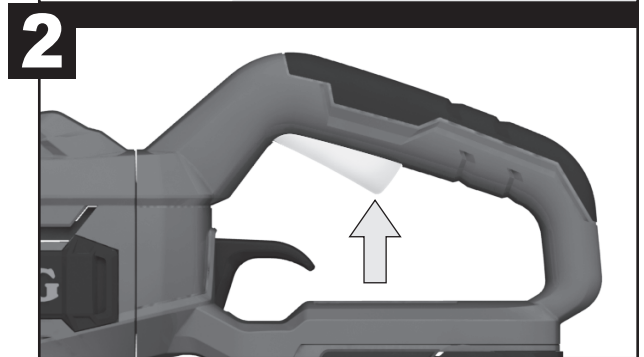
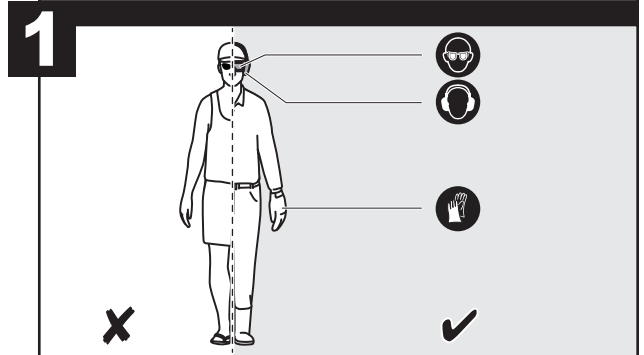
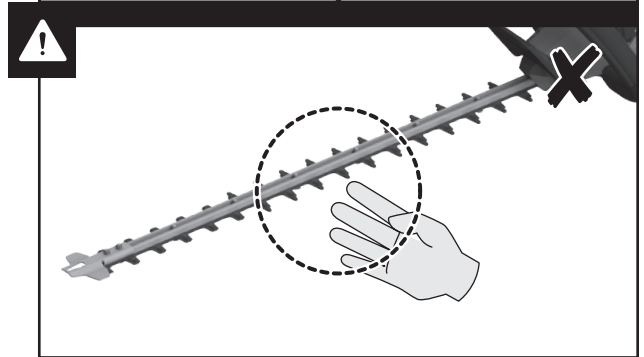
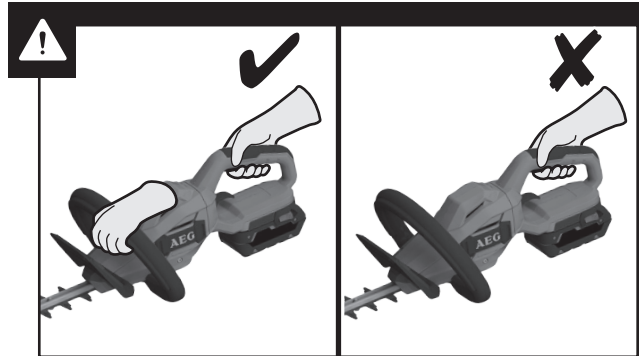
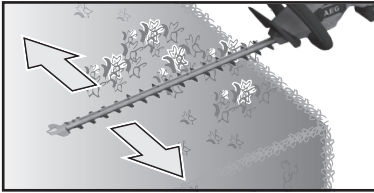


START

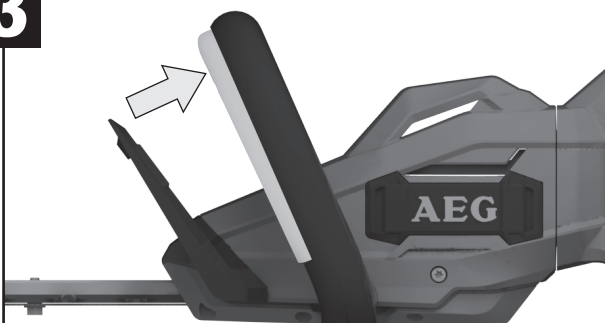


STOP

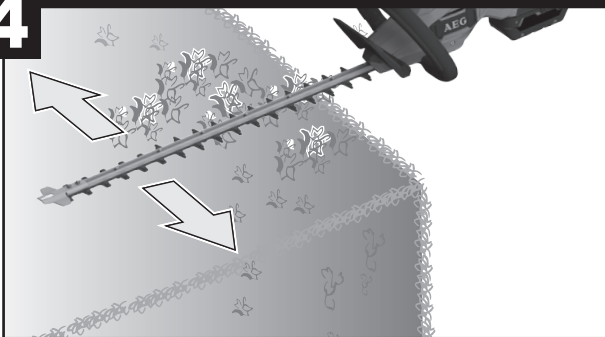




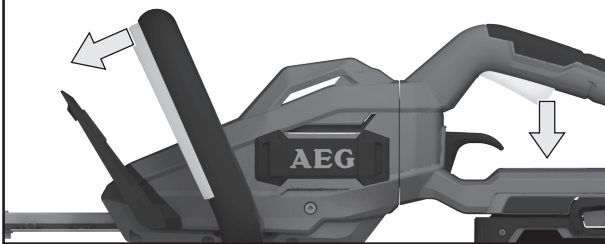
3

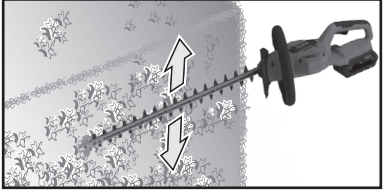


4

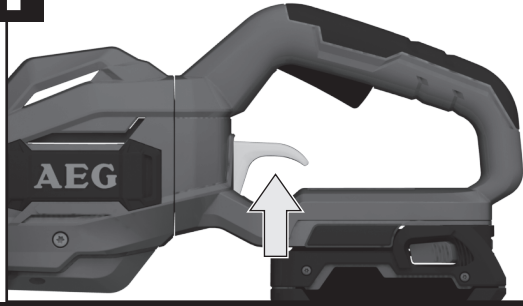


STOP





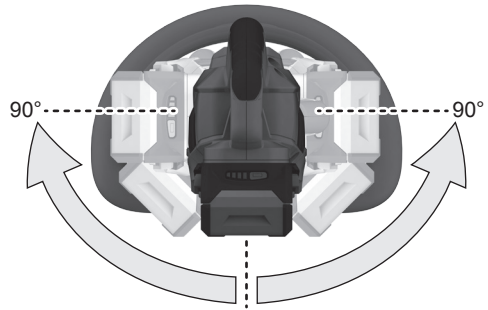
1



2



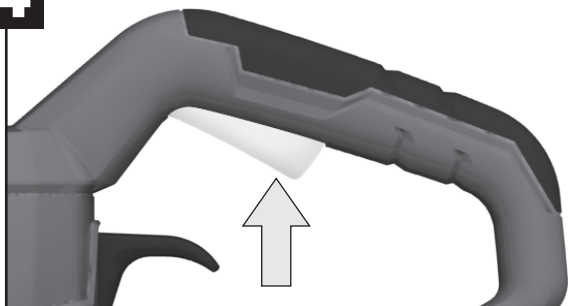
i



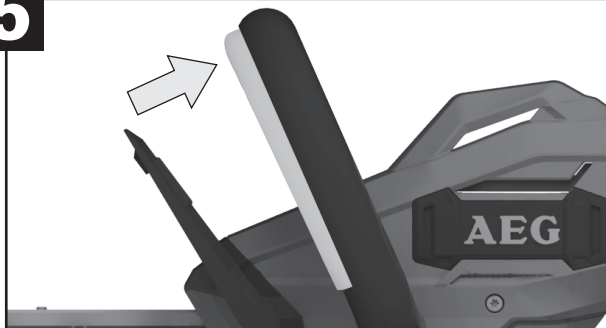
3



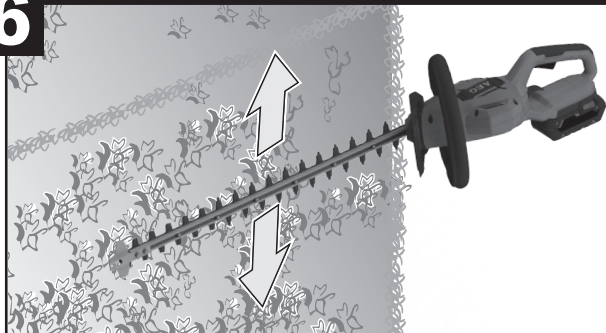
4

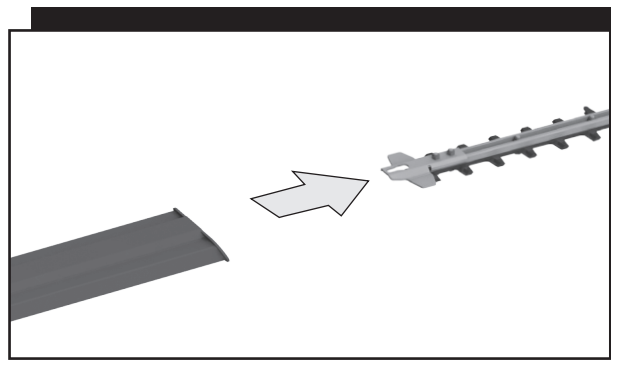
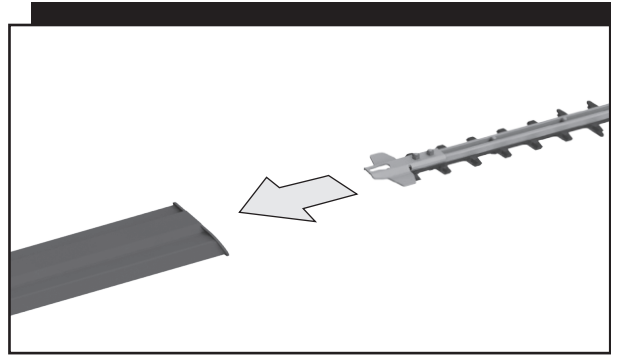
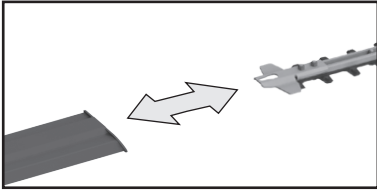


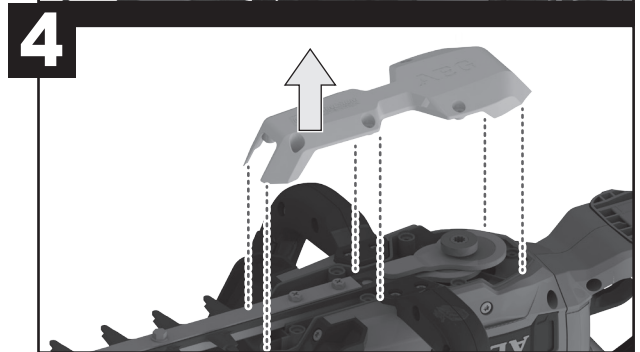
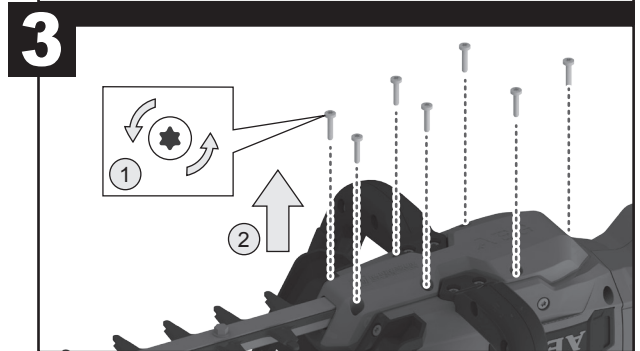
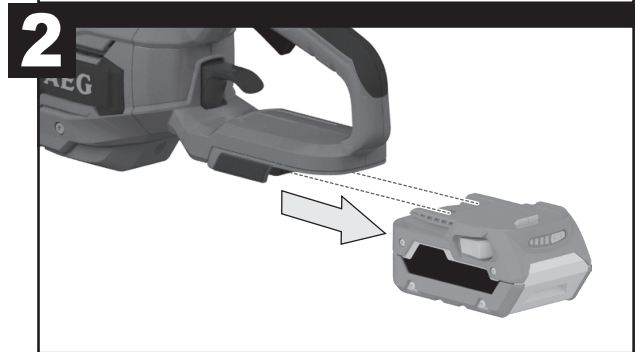
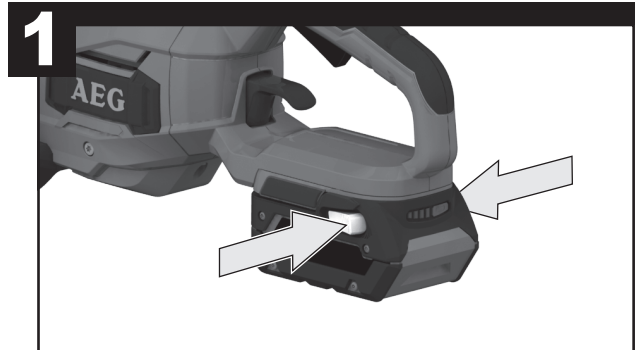
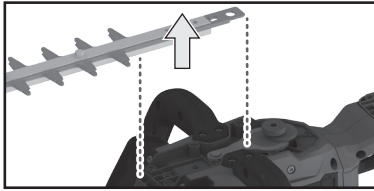
5



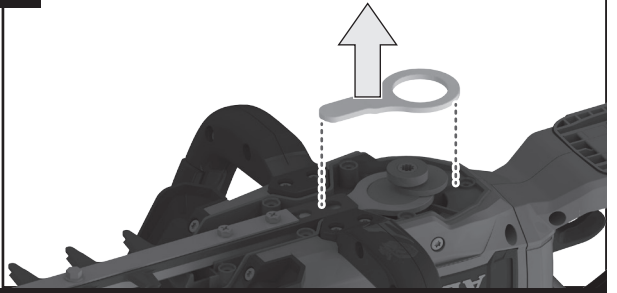
6



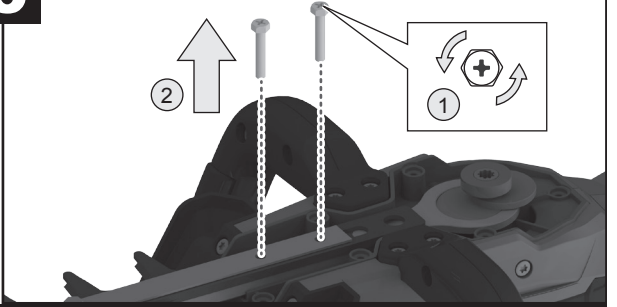




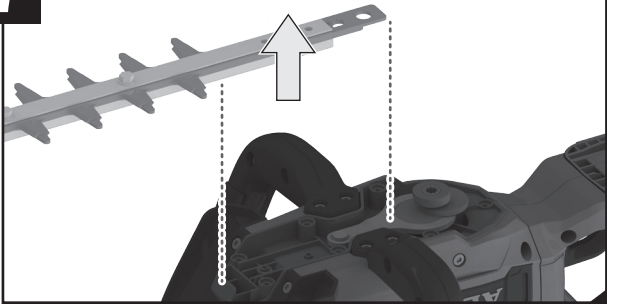
5

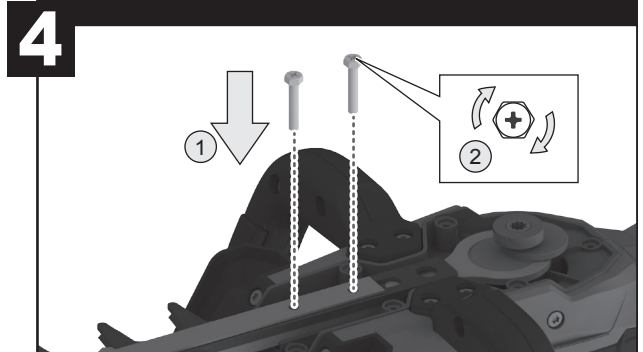
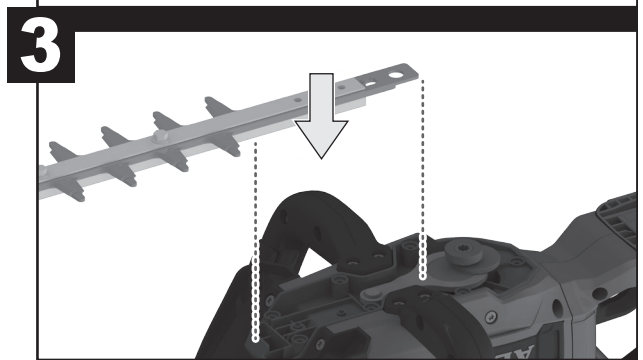
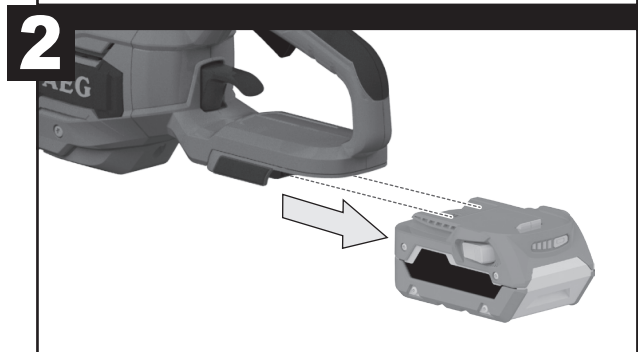
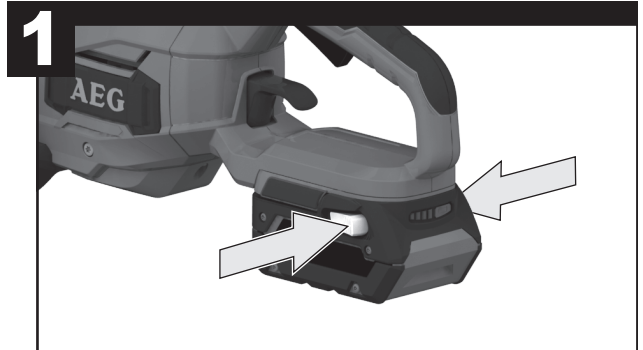
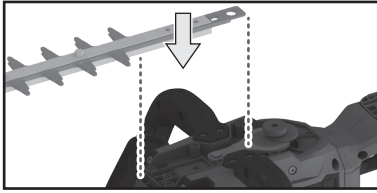


6

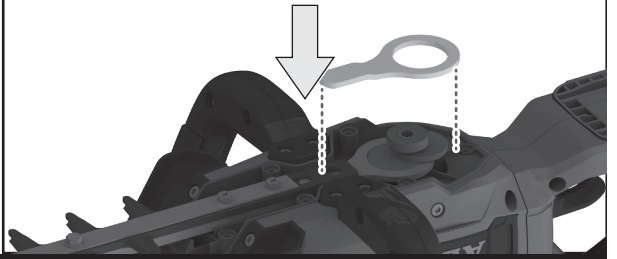


7

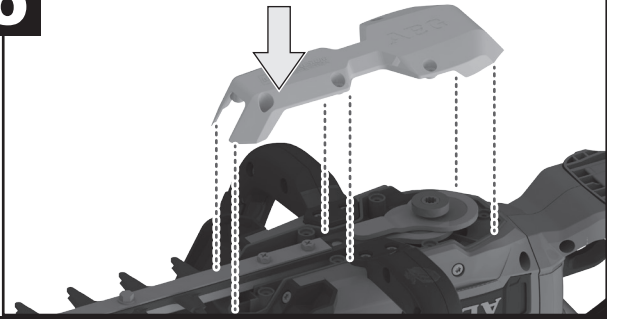




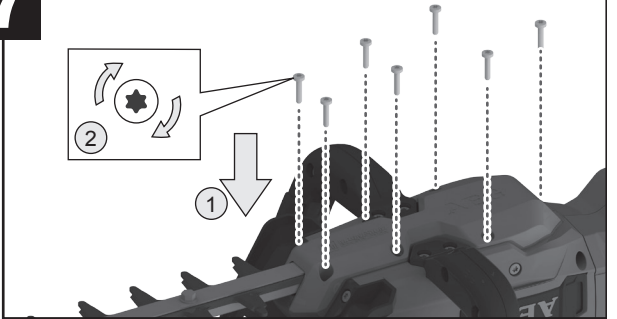
5

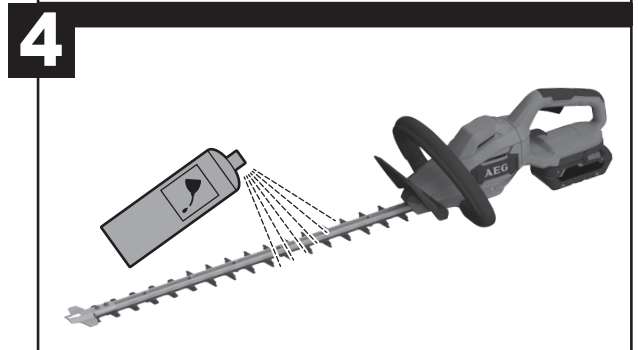
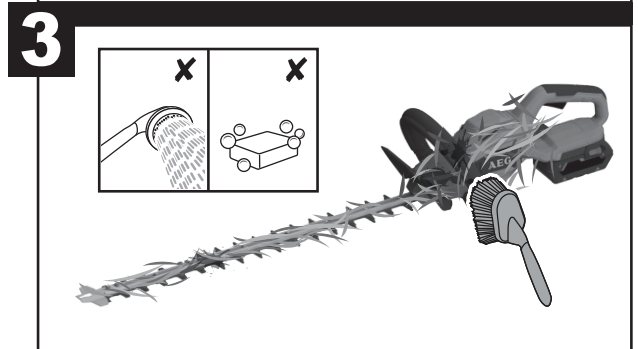
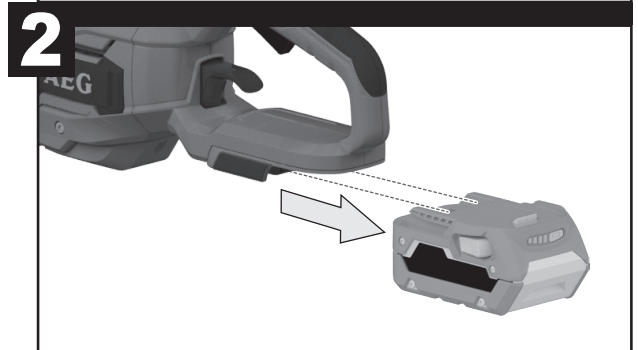
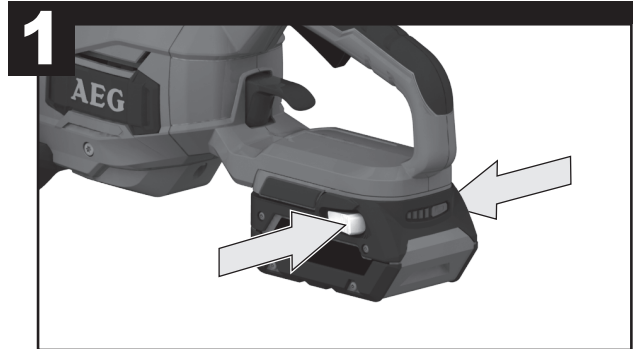
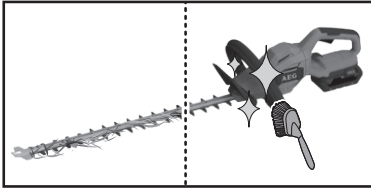


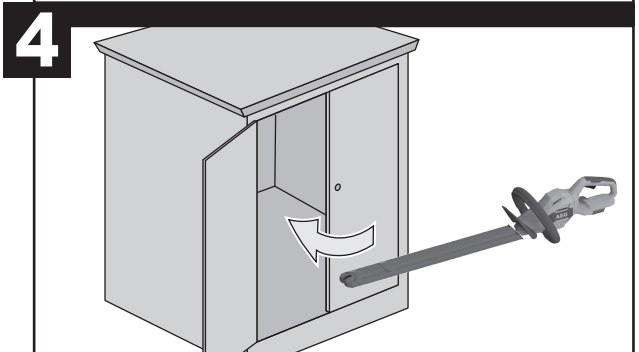
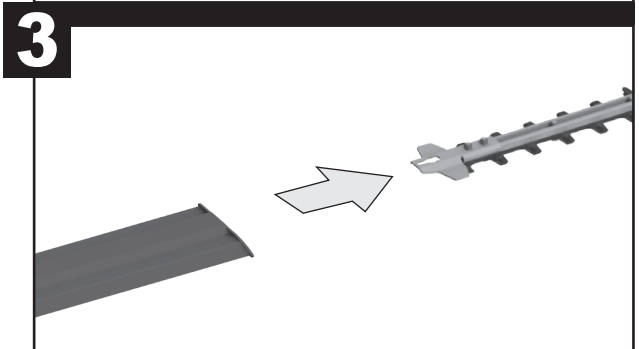
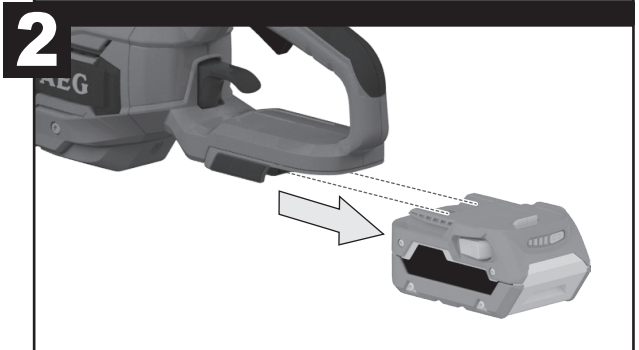
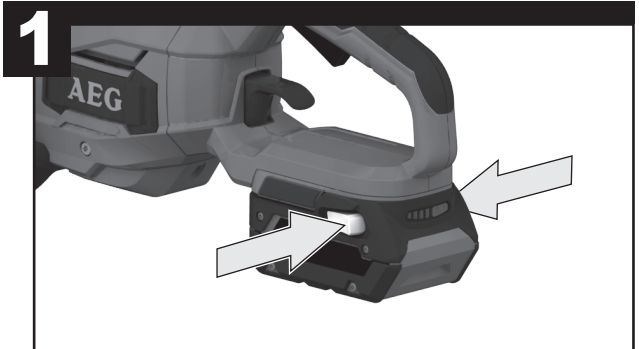
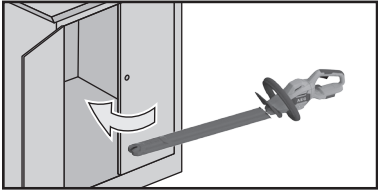
6



7







**TECHNICAL DATA****CORDLESS HEDGE TRIMMER**

AHT1852B/AHT1852BS6

Rated voltage	18 V DC
No load speed	2700 min ⁻¹ (SPM)
Blade length	550 mm
Cutting capacity	26 mm
Weight (without battery)	3.0 kg
Weight with heaviest battery pack	4.2 kg

Noise emission values determined according to EN 60745-1 and EN 60745-2-15

Sound pressure level at operator's position	$L_{pA} = 78.4$ dB(A)
Uncertainty	$K = 2.5$ dB
A-weighted sound power level	$L_{WA} = 89.4$ dB(A)
Uncertainty	$K = 2.2$ dB

Vibration total values determined according to EN 60745-1 and EN 60745-2-15

Vibration emission value	
Front handle	$a_h = 2.3$ m/s ²
Rear handle	$a_h = 4.3$ m/s ²
Uncertainty	$K = 1.5$ m/s ²

*SPM (strokes per minute) is the number of strokes the connecting rod completes in one minute.

BATTERY AND CHARGER

Model	AHT1852B	AHT1852BS6
Battery pack	Not included	L1860R-X5
Charger	Not included	BL1218
Compatible battery packs	L1815G, L1815R, L1820R, L1825R, L1830R, L1840R, L1850R, L1860R, L1860B, L1890R, L1860B-X5, L1860R-X5	
Compatible chargers	BL1218, AL1218G, BLK1218, BL18DP-X5, BL18DP2-X5	

WARNING!

The declared vibration value has been measured with a standard test method and may be used to compare one tool with another.

The declared vibration value may be used in a preliminary assessment of exposure.

The vibration emission during actual use of power tool can differ from the declared total value depending on the ways in which the tool is used.

Identify safety measures to protect yourself based on an estimation of exposure in the actual conditions of use, taking account of all parts of the operating cycle such as the times when the tool is switched off and when it is running idle in addition to the trigger time.

INTENDED USE

The cordless hedge trimmer is only intended for use outdoors. For safety reasons the product must be adequately controlled by using two-handed operation.

It is intended to cut and trim hedges, shrubs, and similar vegetation.

It should be used in dry, well-illuminated conditions.

It is not intended to cut grass, trees, or branches. It should not be used for any other purpose than hedge trimming.

WORK AREA SAFETY

Work area clean and well lit. Cluttered or dark areas invite accidents.

Do not operate power tools in explosive atmospheres, such as in the presence of flammable liquids, gases or dust. Power tools create sparks which may ignite the dust or fumes.

Keep children and bystanders away while operating a power tool. Distractions can cause you to lose control.

ELECTRICAL SAFETY

Power tool plugs must match the outlet. Never modify the plug in any way. Do not use any adapter plugs with earthed (grounded) power tools. Unmodified plugs and matching outlets will reduce risk of electric shock.

Avoid body contact with earthed or grounded surfaces, such as pipes, radiators, ranges and refrigerators. There is an increased risk of electric shock if your body is earthed or grounded

Do not expose power tools to rain or wet conditions. Water entering a power tool will increase the risk of electric shock.

Do not abuse the cord. Never use the cord for carrying, pulling

GENERAL POWER TOOL SAFETY WARNINGS

⚠ WARNING! Read all safety warnings, instructions, illustrations and specifications provided with this power tool.

Failure to follow the warnings and instructions may result in electric shock, fire and/or serious injury.

Save all warnings and instructions for future reference.

The term "power tool" in the warnings refers to your mains-operated (corded) power tool or battery-operated (cordless) power tool.





or unplugging the power tool. Keep cord away from heat, oil, sharp edges or moving parts. Damaged or entangled cords increase the risk of electric shock.

When operating a power tool outdoors, use an extension cord suitable for outdoor use. Use of a cord suitable for outdoor use reduces the risk of electric shock.

If operating a power tool in a damp location is unavoidable, use a residual current device (RCD) protected supply. Use of an RCD reduces the risk of electric shock.

PERSONAL SAFETY

Stay alert, watch what you are doing and use common sense when operating a power tool. Do not use a power tool while you are tired or under the influence of drugs, alcohol, or medication. A moment of inattention while operating power tools may result in serious personal injury.

Use personal protective equipment. Always wear eye protection. Protective equipment such as dust mask, non-skid safety shoes, hard hat, or hearing protection used for appropriate conditions will reduce personal injury.

Prevent unintentional starting. Ensure the switch is in the off-position before connecting to power source and/or battery pack, picking up or carrying the tool. Carrying power tools with your finger on the switch or energising power tools that have the switch on invites accidents.

Remove any adjusting key or wrench before turning the power tool on. A wrench or a key left attached to a rotating part of the power tool may result in personal injury.

Do not overreach. Keep proper footing and balance at all times. This enables better control of the power in unexpected situations.

Dress properly. Do not wear loose clothing or jewellery. Keep your hair, clothing and gloves away from moving parts. Loose clothes, jewellery, or long hair can be caught in moving parts.

If devices are provided for the connection of dust extraction and collection facilities, ensure these are connected and properly used. Use of dust collection can reduce dust-related hazards.

Do not let familiarity gained from frequent use of tools allow you to become complacent and ignore tool safety principles. A careless action can cause severe injury within a fraction of a second.

POWER TOOL USE AND CARE

Do not force the power tool. Use the correct power tool for your application. The correct power tool will do the job better and safer at the rate for which it was designed.

Do not use the power tool if the switch does not turn it on and off. Any power tool that cannot be controlled with switch is dangerous and must be repaired.

Disconnect the plug from the power source and/or the battery pack from the power tool before making any adjustments, changing accessories, or storing power tools. Such preventive safety measures reduce the risk of starting the power tool accidentally.

Store idle power tools out of the reach of children and do not allow persons unfamiliar with the power tool or these instructions to operate the power tool. Power tools are dangerous in the hands of untrained users.

Maintain power tools. Check for misalignment or binding of moving parts, breakage of parts and any other condition that may affect the power tool's operation. If damaged, have the power tool repaired before use. Many accidents are caused by poorly maintained power tools.

Keep cutting tools sharp and clean. Properly maintained cutting tools with sharp cutting edges are less likely to bind and are easier to control.

Use the power tool, accessories and tool bits etc. in accordance with these instructions, taking into account the working conditions and the work to be performed. Use of the power tool for operations different from those intended could result in a hazardous situation.

Keep handles and grasping surfaces dry, clean and free from oil and grease. Slippery handles and grasping surfaces do not allow for safe handling and control of the tool in unexpected situations.

BATTERY TOOL USE AND CARE

Recharge only with the charger specified by the manufacturer. A charger that is suitable for one type of battery pack may create a risk of fire when used with another battery pack.

Use power tools only with specifically designated battery packs. Use of any other battery packs may create a risk of injury and fire.

When battery pack is not in use, keep it away from other metal objects, like paper clips, coins, keys, nails, screws or other small metal objects that can make a connection from one terminal to another. Shorting the battery terminals together may cause burns or a fire.

Under abusive conditions, liquid may be ejected from the battery; avoid contact. If contact accidentally occurs, flush with water. If liquid contacts eyes, additionally seek medical help. Liquid ejected from the battery may cause irritation or burns.

Do not use a battery pack or tool that is damaged or modified. Damaged or modified batteries may exhibit unpredictable behaviour resulting in fire, explosion or risk of injury.

Do not expose a battery pack or tool to fire or excessive temperature. Exposure to fire or temperature above 130 °C may cause explosion.

Follow all charging instructions and do not charge the battery pack or tool outside the temperature range specified in the instructions. Charging improperly or at temperatures outside the specified range may damage the battery and increase the risk of fire.

SERVICE

Have your power tool serviced by a qualified repair person using only identical replacement parts. This will ensure that safety of the power tool is maintained.

Never service damaged battery packs. Service of battery packs should only be performed by the manufacturer or authorized service providers.

CORDLESS HEDGE TRIMMER WARNINGS

Keep all parts of the body away from the cutter blade. Do not remove the cut material or hold the material to be cut when blades are moving. Make sure the switch is off when clearing jammed materials. A moment of inattention while operating the hedge trimmer may result in serious personal injury.

Carry the hedge trimmer by the handle with cutter blade stopped. When transporting or storing the hedge trimmer always fit the cutting device cover. Proper handling of the hedge trimmer reduces possible personal injury from the cutter blades.

Hold the power tool by insulated gripping surfaces only, because the cutter blade may contact hidden wiring. Cutter blades contacting a "live" wire may make exposed metal parts of the power tool "live" and could give the operator an electric shock.

ADDITIONAL SAFETY WARNINGS

Some regions have regulations that restrict the use of the product to some operations. Check with your local authority for advice. Read



all instructions.

Clear the work area before each use. Remove all objects, such as cords, lights, wires, or strings which can be thrown or become entangled in the cutting means.

Check the hedge for foreign objects, such as wire fences.

Exercise additional caution when using the product near posts, buildings, or other immovable objects.

Beware of thrown objects; keep all bystanders, children, and pets at least 15 m away from work area.

Do not allow children or untrained individuals to use the product.

Do not operate in poor lighting. The operator requires a clear view of the work area to identify potential hazards.

Ensure all handles and guards are fitted when using the hedge trimmer. Never attempt to use an incomplete hedge trimmer or one fitted with an unauthorised modification.

Ensure before each use that all controls and safety devices function correctly. Do not use the product if the "off" switch does not stop the product.

Inspect the product before each use. Check for loose fasteners. Make sure all guards and handles are properly and securely attached. Replace any damaged parts before use. Check for battery pack leaks.

Do not modify the product in any way.

Wear full eye and hearing protection while operating the product. If working in an area where there is a risk of falling objects, head protection must be worn.

Wear heavy, long trousers, boots, and gloves. Do not wear loose fitting clothing, short trousers, jewellery of any kind, or use with bare feet.

Secure long hair so it is above shoulder level to prevent entanglement in moving parts.

Use of hearing protection reduces the ability to hear warnings (shouts or alarms). The operator must pay extra attention to what is going on in the working area.

Operating similar tools nearby increases both the risk of hearing injury and the potential for other persons to enter your working area.

Do not use the product when you are tired, ill, or under the influence of alcohol, drugs, or medication.

Keep firm footing and balance. Do not overreach. Overreaching can result in loss of balance and can result in serious injury.

Keep all parts of your body away from any moving part.

Before starting the product, make sure the cutting blades will not come in contact with anything.

While operating the hedge trimmer, always hold it firmly with both hands by the two handles. Ensure that the operating position is safe and secure. The manufacturer does not recommend the use of steps or ladders. If higher trimming is required, use an extended-reach tool.

Blades are sharp. When handling the blade assembly, wear non-slip, heavy duty, protective gloves. Do not place your hand or fingers between blades or in any position where they could get pinched or cut. Never touch the blade or service the product unless the battery pack is removed.

Switch off and remove the battery pack. Make sure all move parts have come to a complete stop:

- before leaving the product unattended
- before cleaning or clearing a blockage
- before adjusting the working position of the cutting means
- before checking, conducting maintenance, or working on the product

Do not force the product through heavy shrubbery. This can cause the blades to bind and slow down. If the blades slow down, reduce

the pace.

Do not attempt to cut stems or twigs that are larger than 10 mm thick, or those obviously too large to feed into the cutting blade. Use a non-powered hand saw or pruning saw to trim large stems.

Do not operate the product with damaged or excessively worn blades.

⚠ WARNING! If the product is dropped, suffers heavy impact, or begins to vibrate abnormally, immediately stop the product and inspect for damage or identify the cause of the vibration. Any damage should be properly repaired or replaced by an authorised service centre.

ADDITIONAL BATTERY SAFETY WARNINGS

⚠ WARNING! To reduce the risk of fire, personal injury, and product damage due to a short circuit, never immerse your tool, battery pack or charger in fluid or allow a fluid to flow inside them. Corrosive or conductive fluids, such as seawater, certain industrial chemicals, and bleach or bleach-containing products, etc., can cause a short circuit.

TRANSPORTATION AND STORAGE

Stop the product, remove the battery, and allow it to cool before storing or transporting.

Clean all foreign materials from the product. Store the product in a cool, dry, and well-ventilated place that is inaccessible to children. Keep away from corrosive agents, such as garden chemicals and de-icing salts. Do not store outdoors.

Cover the blade with the blade protector before storing the product, or during transportation.

For transportation in vehicles, secure the product against movement or falling to prevent injury to persons or damage to the product.

TRANSPORTING LITHIUM BATTERIES

Transport the battery in accordance with local and national provisions and regulations.

Follow all special requirements on packaging and labelling when transporting batteries by a third party. Ensure that no batteries can come in contact with other batteries or conductive materials while in transport by protecting exposed connectors with insulating, non-conductive caps or tape. Do not transport batteries that are cracked or leaking. Check with the forwarding company for further advice.

MAINTENANCE

⚠ WARNING! Use only original manufacturer's replacement parts, accessories, and attachments. Failure to do so can cause possible injury and poor performance, and may void your warranty.

⚠ WARNING! Servicing requires extreme care and knowledge and should be performed only by a qualified service technician. Have the product serviced by an authorised service centre only. When servicing, use only identical replacement parts.

⚠ WARNING! The blades are extremely sharp. To prevent personal injury, exercise extreme caution when cleaning, lubricating and fitting or removing the blade protector.

Remove the battery before adjusting, maintaining, or cleaning the product.

You may only make adjustments and repairs described in this manual. For other repairs, contact an authorised service agent.

After each use, clean the body and handles of the product with a soft, dry cloth.

After each use, clean the debris from the blades with a stiff brush,

and then carefully apply a rust preventative lubricant before refitting the blade protector. The manufacturer recommends you to use a rust-preventative lubricant spray to apply an even distribution and reduce the risk of personal injury from contact with the blades. For information about suitable spray product, check with an authorised service centre.

Lubricate the blades lightly before use if necessary using the above method.

Check all nuts, bolts, and screws at frequent intervals for proper tightness to ensure the product is in safe working condition. Any part that is damaged should be properly repaired or replaced by an authorised service centre.

RESIDUAL RISKS

Even when the product is used as prescribed, it is still impossible to completely eliminate certain residual risk factors. The following hazards may arise in use and the operator should pay special attention to avoid the following:

- Injury caused by the blade. The blade cannot be guarded while cutting. Keep the blade away from yourself and others. Cover it with the blade protector when the product is not in use.
- Injury caused by vibration. Always use the right tool for the job, use designated handles, and restrict working time and exposure.
- Hearing injury caused by exposure to noise. Wear ear protection and limit exposure.

RISK REDUCTION

It has been reported that vibrations from handheld tools may contribute to a condition called Raynaud's Syndrome. Symptoms may include tingling, numbness, and blanching of the fingers, usually apparent upon exposure to cold. Hereditary factors, exposure to cold and dampness, diet, smoking and work practices are all thought to contribute to the development of these symptoms. There are measures that can be taken by the operator to possibly reduce the effects of vibration:

- Keep your body warm in cold weather. When operating the unit, wear gloves to keep the hands and wrists warm. It is reported that cold weather is a major factor contributing to Raynaud's Syndrome.
- After each period of operation, exercise to increase blood circulation.
- Take frequent work breaks. Limit the amount of exposure per day.

If you experience any of the symptoms of this condition, immediately discontinue use and see your doctor.

⚠ WARNING! Injuries may be caused, or aggravated, by prolonged use of the product. When using any tool for prolonged periods, ensure you take regular breaks

SYMBOLS



Safety alert



Please read the instructions carefully before starting the product.



Wear ear protection.



Wear eye protection.



Do not expose to rain or damp condition.



Always hold the hedge trimmer with both hands when operating.



Wear non-slip, heavy duty gloves.



Remove the battery pack before starting any work on the product.



The guaranteed sound power level shown on this label is 92 dB.



Beware of thrown or flying objects. Keep all bystanders, especially children and pets, at least 15m away from the operating area.



To prevent serious injury, do not touch cutting blades.



Regulatory Compliance Mark (RCM). Product meets applicable regulatory requirements.



Do not dispose of electric tools together with household waste material. Electric tools and electronic equipment that have reached the end of their life must be collected separately and returned to an environmentally compatible recycling facility. Check with your local authority or retailer for recycling advice and collection point.

The following signal words and meanings are intended to explain the levels of risk associated with this product.

⚠ DANGER

Indicates an imminently hazardous situation, which, if not avoided, will result in death or serious injury.

⚠ WARNING

Indicates a potentially hazardous situation, which, if not avoided, could result in death or serious injury.

⚠ CAUTION

Indicates a potentially hazardous situation, which, if not avoided, may result in minor or moderate injury.

CAUTION

Without safety alert symbol

Indicates a situation that may result in property damage.



AEG

POWERTOOLS

www.aegpowertools.com.au
www.aegpowertools.co.nz

Imported by:

Techtronic Industries Australia Pty Ltd
31 Gilby Road, Mount Waverley, VIC 3149
Melbourne, Australia

Techtronic Industries N.Z. Limited
2 Landing Drive, Mangere
Auckland, 2022, New Zealand

960087309-02