

BONERA

BLANCO



Model Code

BONERA - Chrome

Description

Single lever mixer tap - high ark spout

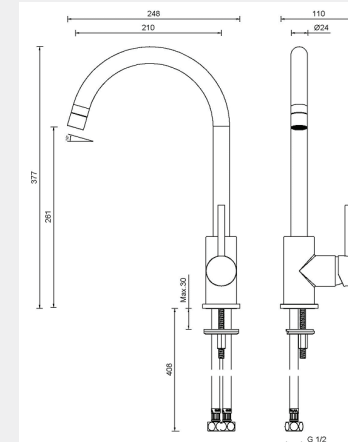
Warranty

10 year warranty

Features

Benefits

Elegant Chrome Tap	Elegant chrome finish that greatly impresses and which will suit all types of kitchen sinks, products and worktops. It is a durable design that is easily cleaned and maintenance free.
DR Brass Body	Provides a good feeling everyday about the hygiene and health protection for the whole family, whilst using certified quality materials.
High Arc Spout	Saves space and gives functional control. Also aids in filling large pots and vases.
360° Swivel Spout	Allows maximum access to the sink for washing large items.
High Clearance Outlet	Givies greater ability to clean larger items in confined space.
Ceramic Disk Cartridge	Durable and long lasting ceramic disk technology.
3 Filter Removable Aerator	<ul style="list-style-type: none"> • Controls water flow • Reduces splashing effect and easy to clean



The more stars the more water efficient

WATER RATING
www.waterrating.gov.au

8.5 Litres Per Minute

In accordance with AS/NZS 6400
Licence No. 1235
Xiamen Lota International Co.Ltd

Material:	Chrome
Recommended Pressure:	300 kPa
Min Pressure:	150 kPa
Max Pressure:	1000 kPa
Dimensions:	Suitable for main or balanced water pressure 210 mm Spout length 261 mm Spout height 377 mm Tap height
Mounting Hole:	Ø35 mm Tap hole required
Standard Inclusions:	Australian standard flexible hose and fittings Stabilising plate to increase stability of the tap when fitted in stainless steel sinks
Warranty:	10 years

Note: Measurements are within 2 - 3mm of factory tolerance. It is advisable to check dimensions of physical product when measuring for installations and before doing any cut outs.

*Due to continual product development the information provided is not final and may be subject to change.