

jumbuck®

MONTH
12
WARRANTY

Paramount Multi Function Spit Rotisserie

- High temperature powder coated steel frame
- Adjustable height rotisserie
- 2 x 240V Rotisserie Motor: Turns up to 12Kg each
- 2 x Four prong forks
- 10 x Rotating skewers
- Chrome plated cooking grill
- Stainless steel side handle
- Removable ash collection tray
- Lockable castor wheels
- Dimensions: 106L x 62W x 117H cm



Jumbuck Paramount Multi Function Spit Rotisserie (GEN-FP001) 0094874

IMPORTANT SAFETY INSTRUCTIONS



- For outdoor use only.
- Improper installation, adjustment, alteration, service or maintenance can cause property damage, injury or death.
- Read the installation instructions thoroughly before installing this equipment.
- Warning: accessible parts may be very hot. Keep young children away.
- Do not move the appliance during use.
- Any modification of the appliance may be dangerous and will void the warranty.
- Installer to leave instructions with the consumer and consumer to retain them for future reference.
- Please ensure all packaging and transit protection materials are removed prior to using the fire pit.

IMPORTANT: READ THE ASSEMBLY INSTRUCTIONS IN THIS BOOKLET BEFORE REMOVING THE CONTENTS OF THIS CARTON

IMPORTANT SAFETY INSTRUCTIONS

This appliance must only be used in an above ground open-air situation with natural ventilation, without stagnant areas, where products of combustion are rapidly dispersed by wind and natural convection

- This spit rotisserie is an **outdoor appliance only**. Under no circumstances should it be used indoors.
- Do not store chemicals or flammable materials near this appliance.
- Unsupervised children should not be near the spit rotisserie while in use or during warm up or cool down.
- People with flammable clothing such as nylon etc. should keep well away from the spit rotisserie when it is operating.
- Do not leave solid fuel unattended on the spit rotisserie.
- Particular care must be taken when removing the ash OR used fuel. Hot ash can cause serious injury.



- | | |
|--------|--|
| DO NOT | OPERATE THIS APPLIANCE BEFORE READING THE INSTRUCTION BOOKLET |
| DO NOT | PLACE ARTICLES ON OR AGAINST THIS APPLIANCE |
| DO NOT | STORE CHEMICALS OR FLAMMABLE MATERIALS OR SPRAY AEROSOLS NEAR THIS APPLIANCE |
| DO NOT | OPERATE THIS APPLIANCE INDOORS |
| DO NOT | ENCLOSE THIS APPLIANCE |
| DO NOT | LIGHT OR OPERATE WITH THE COVER ON (COVER NOT INCLUDED) |

OPERATING GUIDELINES

Lighting the spit rotisserie

- solid fuel is to be used for this product (fire wood, charcoal etc.)
- place solid fuel onto the charcoal tray and light using fire starters
- let the solid fuel light (check occasional to ensure fire is lit)

Cooking

- ensure solid fuel is lit and that there is sufficient heat for cooking
- place food on the cooking grill
- regularly monitor temperature to ensure food is not under or over cooked

Cleaning

- once finished cooking, remove left over solid fuel from the spit rotisserie
- always ensure spit rotisserie is clean and free from oil or grease (internally and externally) to ensure longevity of the spit rotisserie
- always keep spit rotisserie dry and under cover to protect from weather and moisture

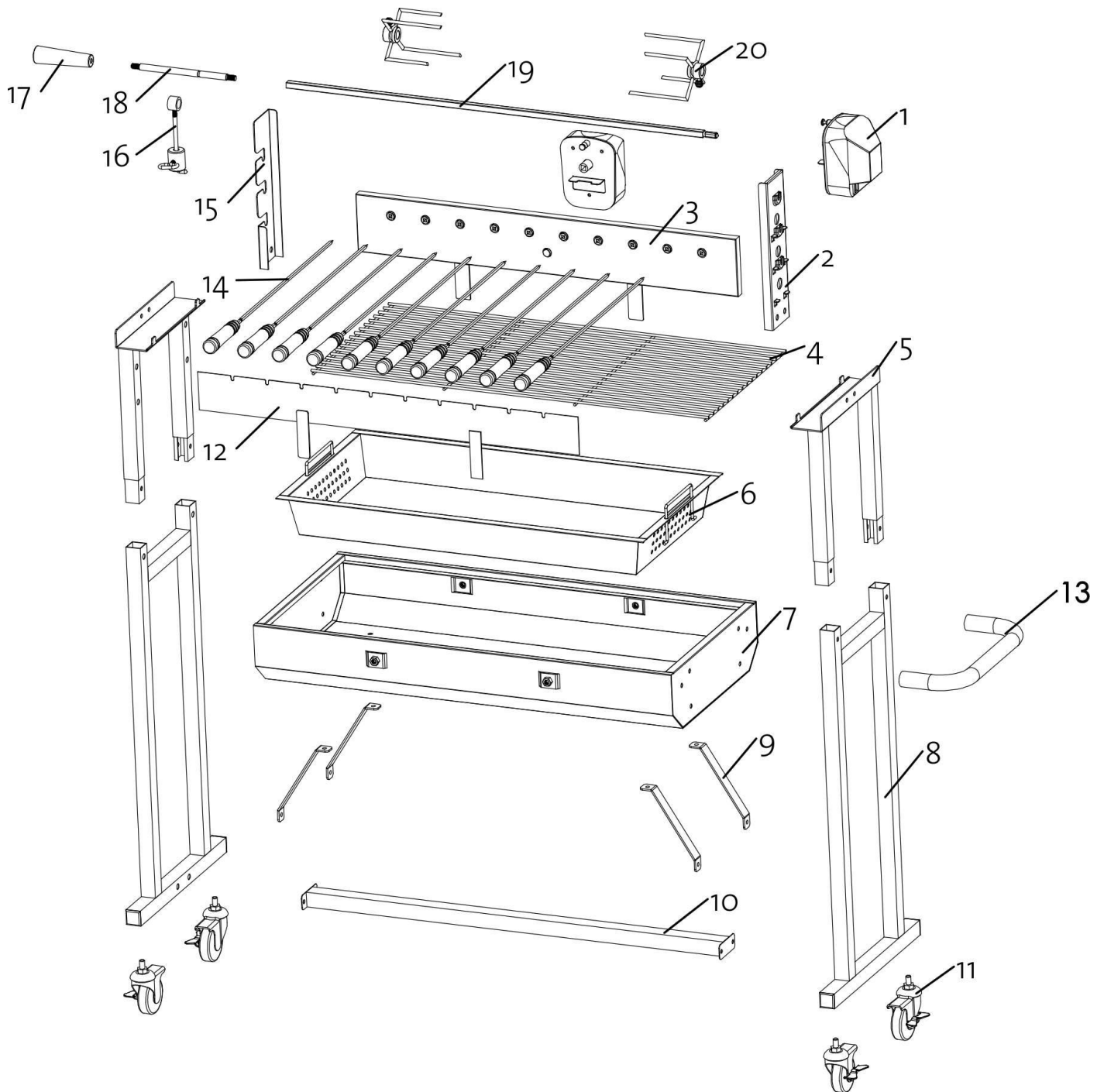
Pre-caution

- always ensure hands are protected when putting or removing food from the spit rotisserie
- always ensure spit rotisserie is cool before touching or cleaning the internal areas
- always ensure hands are protected when making any adjustments to the spit rotisserie
- do not use flammable liquids for igniting and re-igniting
- open flames and burning embers must never be left unattended
- after use, make sure the spit rotisserie is allowed to cool before moving

Important Notes

- do not use this spit rotisserie indoors.
- do not use this spit rotisserie inside a tent, gazebo or within a confined space.
- this spit rotisserie will become very hot during and for some time after use. Keep children away from the spit rotisserie and do not touch metal parts of the spit rotisserie when in use
- use suitable gloves for protection, especially when loading the spit rotisserie with coal or charcoal
- we recommend protecting your spit rotisserie when not in use with a cover to protect it from weather exposure


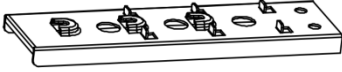
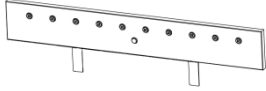
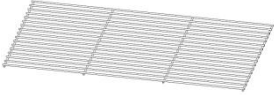
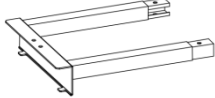

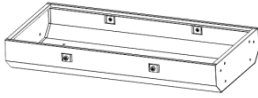

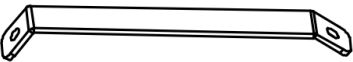


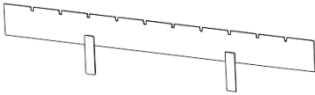
EXPLODED VIEW

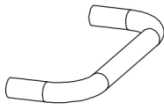


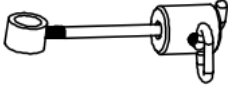
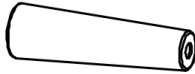


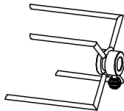


PARTS CODE

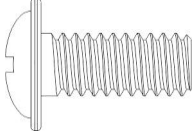
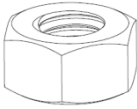
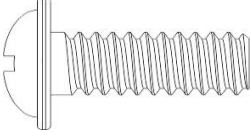
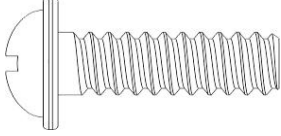

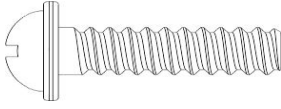
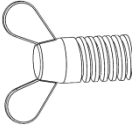
Parts Number	Parts Name	Parts Code
1	Motor	GEN-FP001-01
2	Motor support	GEN-FP001-02
3	Rear panel	GEN-FP001-03
4	Cooking grill	GEN-FP001-04
5	Upper leg	GEN-FP001-05
6	Charcoal tray	GEN-FP001-06
7	Firebox	GEN-FP001-07
8	Lower leg	GEN-FP001-08
9	Support bracket	GEN-FP001-09
10	Leg support	GEN-FP001-10
11	Wheel	GEN-FP001-11
12	Front panel	GEN-FP001-12
13	Side handle	GEN-FP001-13
14	Skewer	GEN-FP001-14
15	Rotisserie support	GEN-FP001-15
16	Rotisserie weight	GEN-FP001-16
17	Rotisserie handle	GEN-FP001-17
18	Rotisserie rod connector	GEN-FP001-18
19	Rotisserie rod	GEN-FP001-19
20	Rotisserie fork	GEN-FP001-20

CARTON CONTENTS

Reference#	Description	Part#	Illustration	Quantity
1	Motor	GEN-FP001-01		2
2	Motor support	GEN-FP001-02		1
3	Rear panel	GEN-FP001-03		1
4	Cooking grill	GEN-FP001-04		1
5	Upper leg	GEN-FP001-05		2
6	Charcoal tray	GEN-FP001-06		1
7	Firebox	GEN-FP001-07		1
8	Lower leg	GEN-FP001-08		2
9	Support bracket	GEN-FP001-09		4
10	Leg support	GEN-FP001-10		1
11	Wheel	GEN-FP001-11		4
12	Front panel	GEN-FP001-12		1

13	Side handle	GEN-FP001-13		1
14	Skewer	GEN-FP001-14		10
15	Rotisserie support	GEN-FP001-15		1
16	Rotisserie weight	GEN-FP001-16		1
17	Rotisserie handle	GEN-FP001-17		1
18	Rotisserie rod connector	GEN-FP001-18		1
19	Rotisserie rod	GEN-FP001-19		1
20	Rotisserie fork	GEN-FP001-20		2

HARDWARE PACK CONTENTS

Reference#	Description	Illustration	Quantity
A	Bolt M6x 12mm		4
B	Nut M6		8
C	Bolt M6x15mm		16
D	Bolt M6x20mm		2
E	Flat Washer M6		2
F	Bolt M6x35mm		4
G	Spring Washer M5 White		4

ASSEMBLY INSTRUCTIONS

ASSEMBLY TIPS

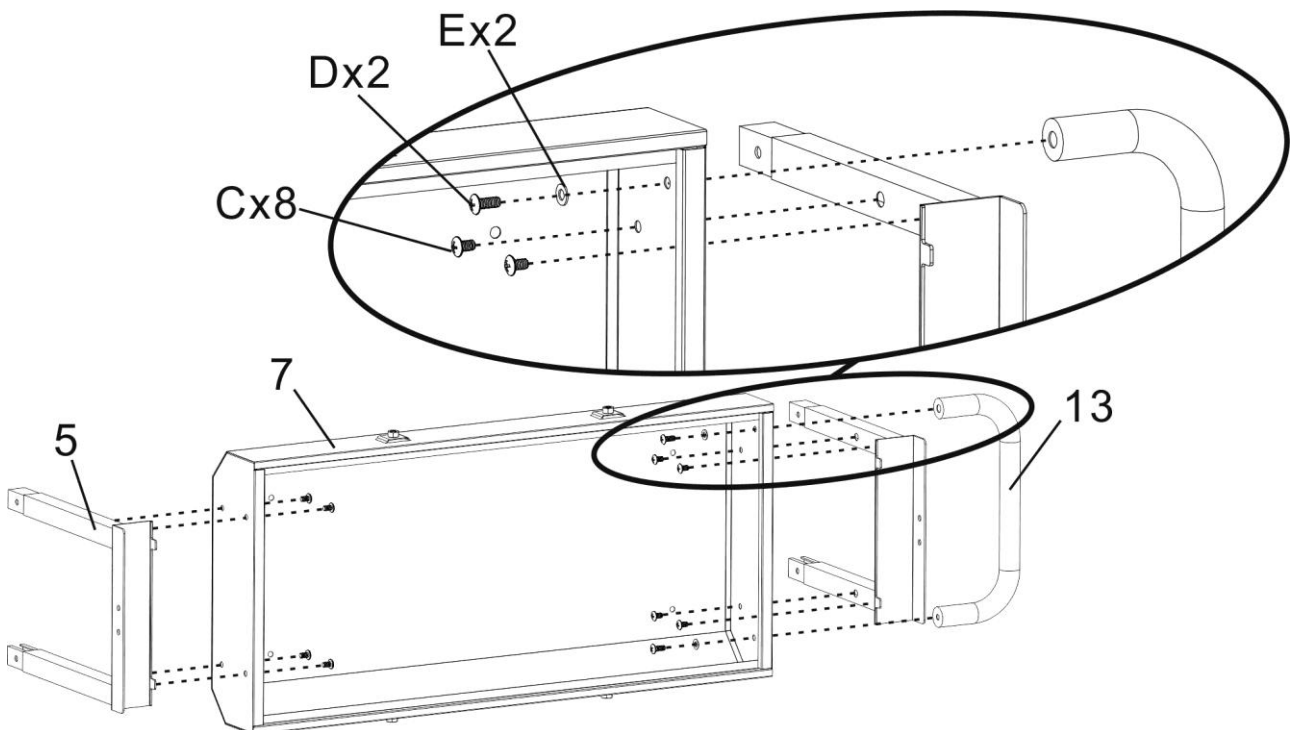
- Remove all contents from packaging, and make sure all the parts are present before attempting to assemble!
- Tighten all bolt connections by hand first.
- When the spit rotisserie is fully assembled, retighten the screws, nuts and bolts by using a wrench and screw driver.

TOOLS REQUIRED

- Philips screwdriver
- Pliers or adjustable spanner

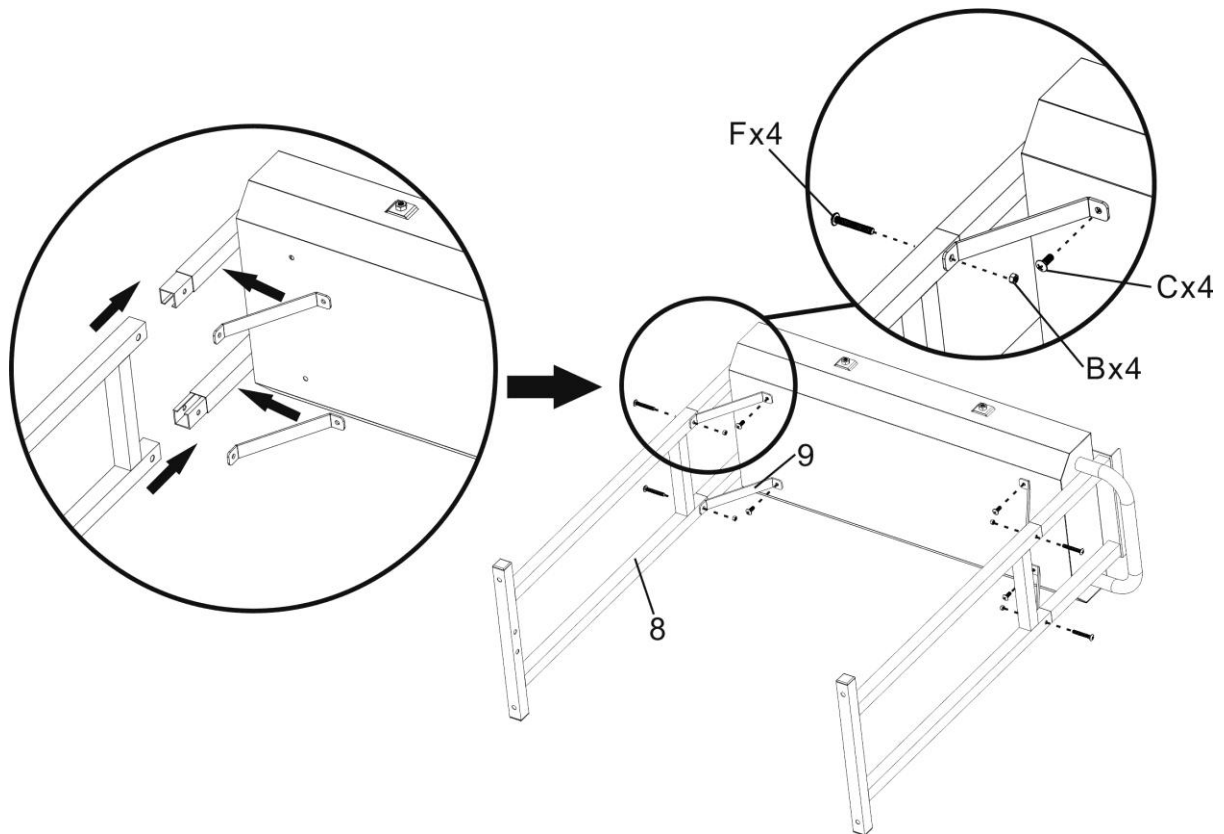
STEP 1

Install the upper leg (part 5) and side handle (part 13) onto the firebox (part 7) as per illustration below.



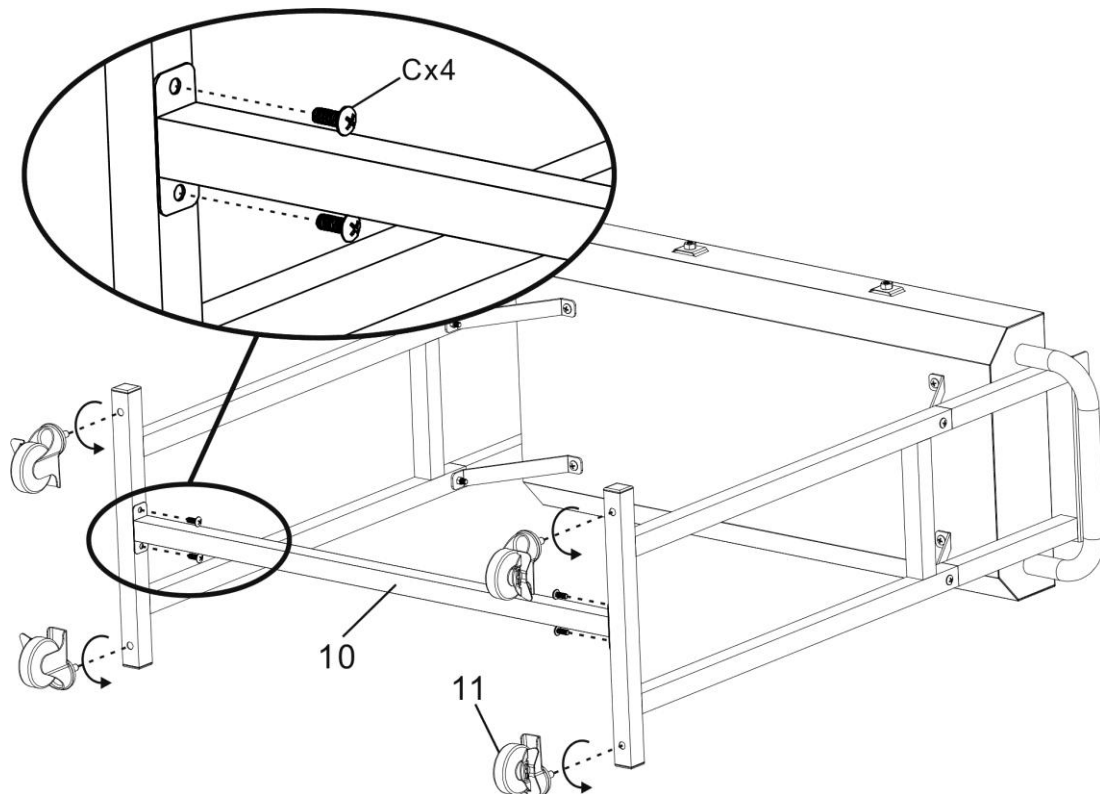
STEP 2

Install the lower leg (part 8) and support bracket (part 9) onto the assembled firebox as per illustration below.



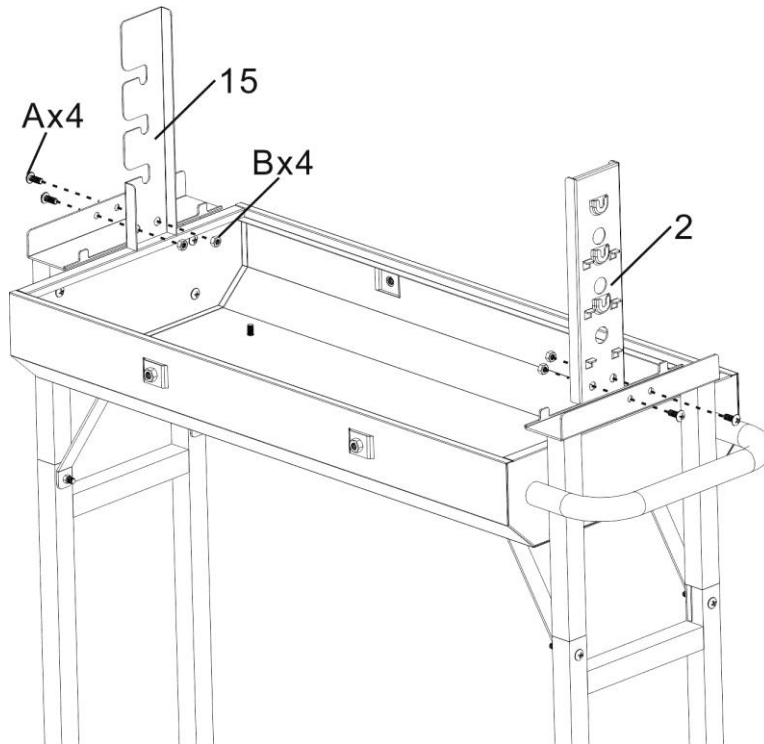
STEP 3

Install the wheel (part 11) and lower leg support (part 10) as per illustration below.



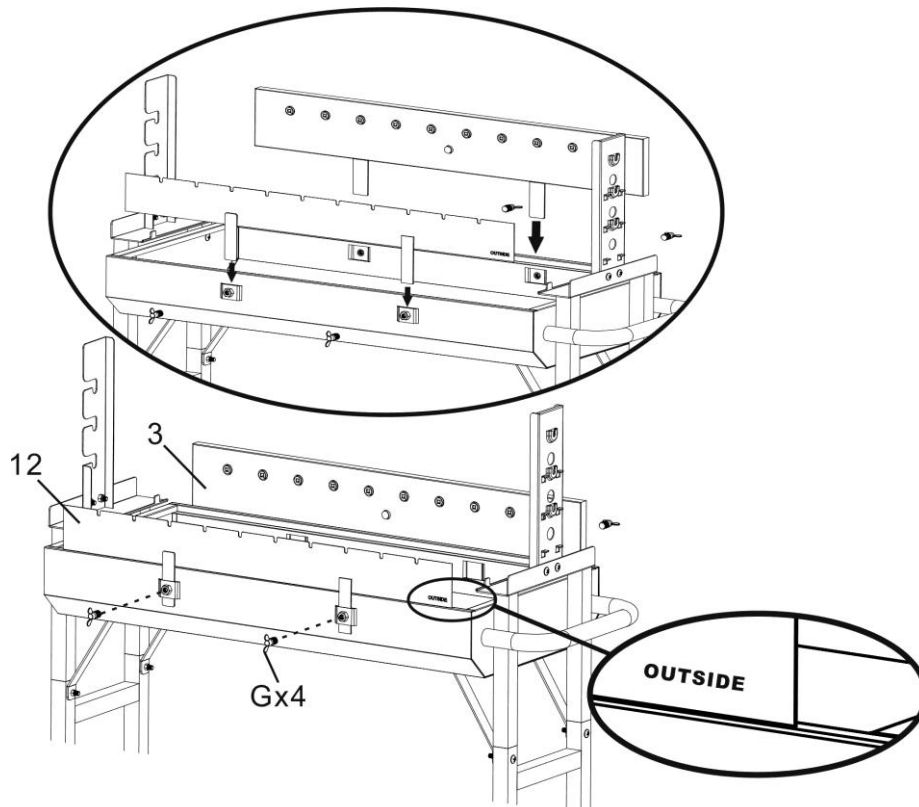
STEP 4

Install the rotisserie support (part 15) and motor support (part 2) as per illustration below.



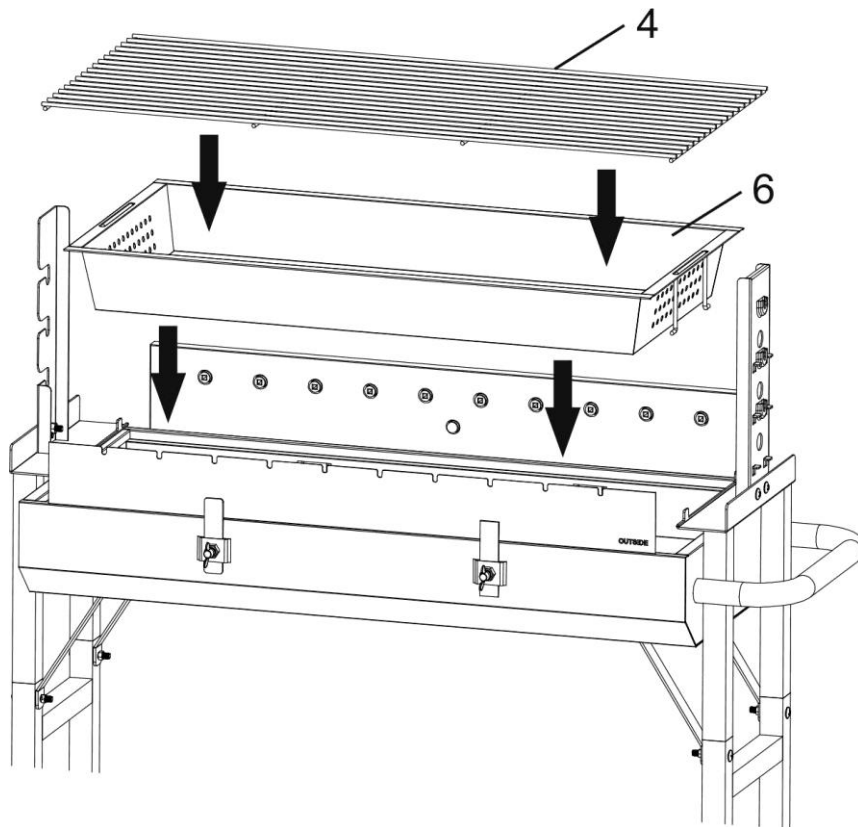
STEP 5

Install the rear panel (part 3) and front panel (part 12) onto the firebox as per illustration below.



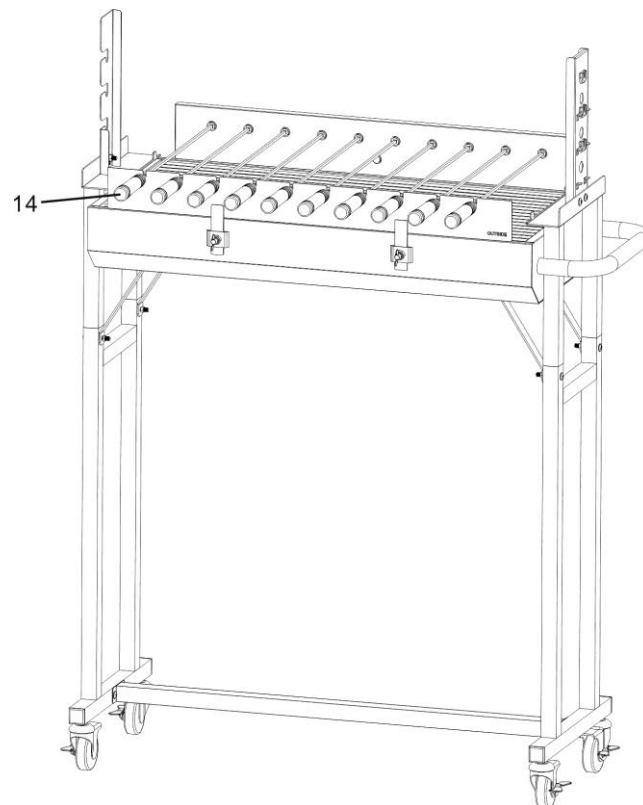
STEP 6

Place the cooking grill (part 4) and charcoal tray (part 6) onto the firebox as per illustration below.



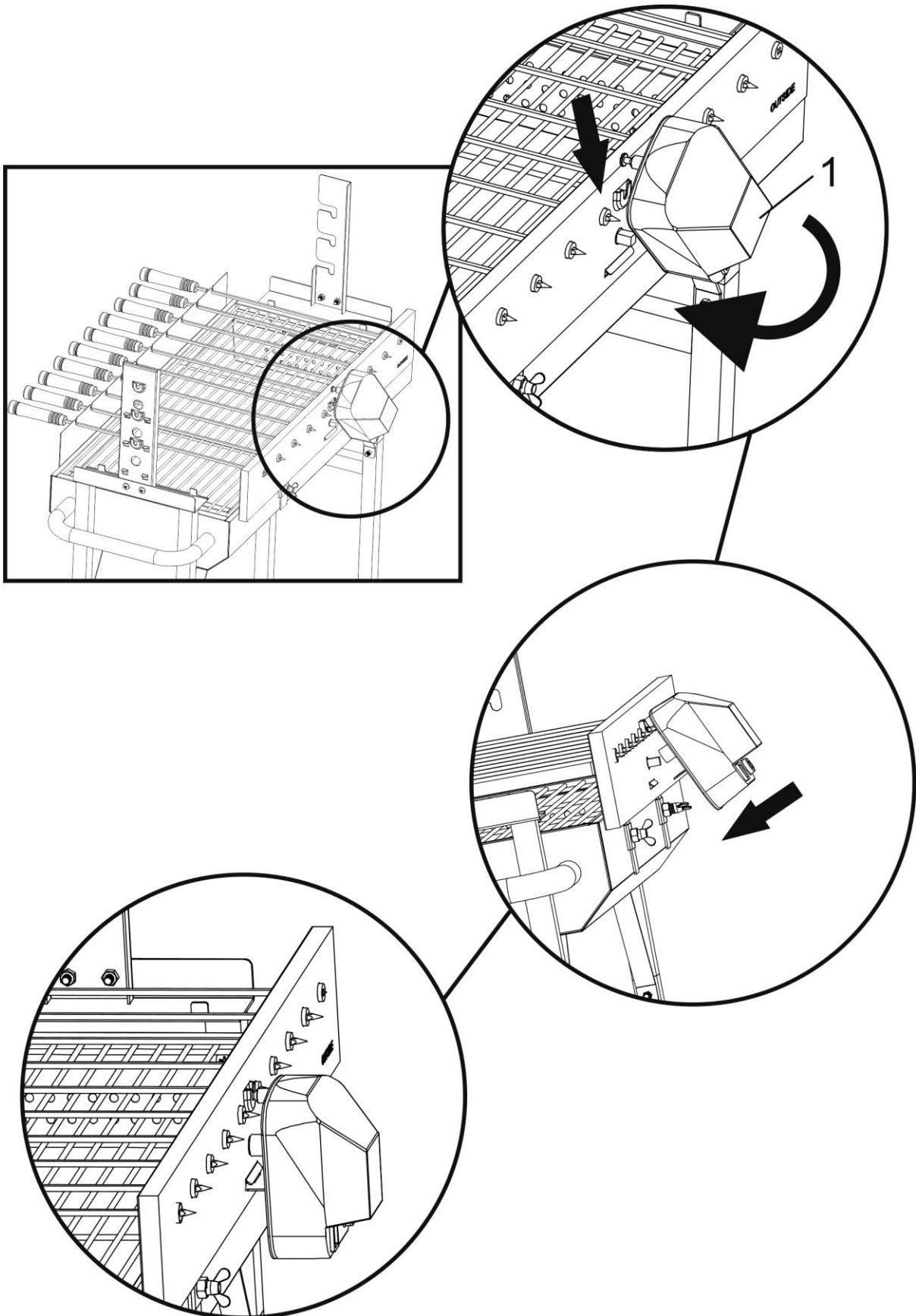
STEP 7

Attached the skewer (part 14) as per illustration below.



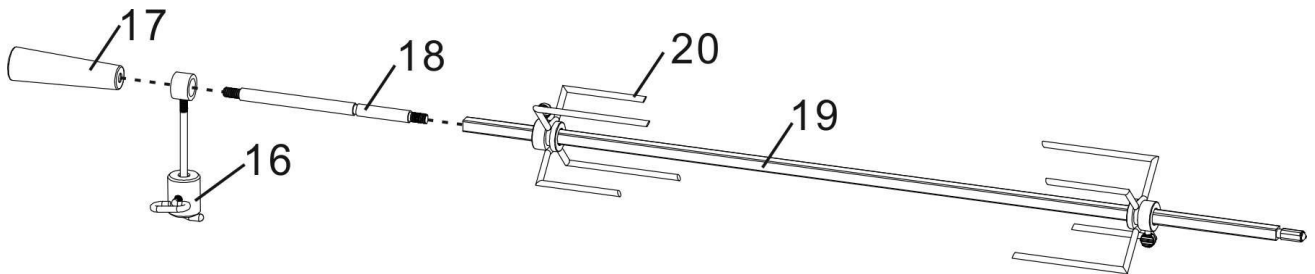
STEP 8

Install the motor (part 1) onto the rear panel (part 3) as per illustration below.



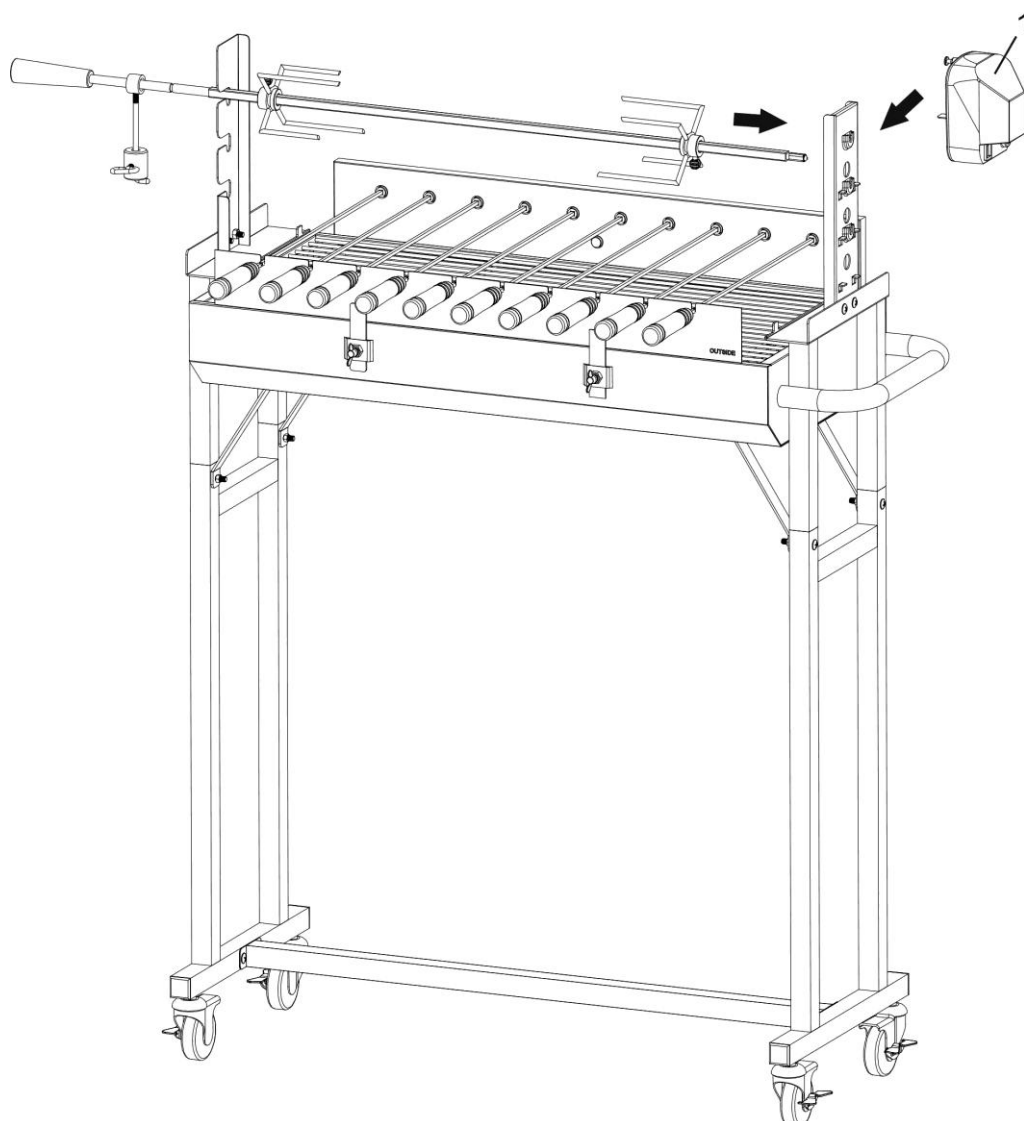
STEP 9

Assemble the rotisserie rod and attachments as per as per illustration below.

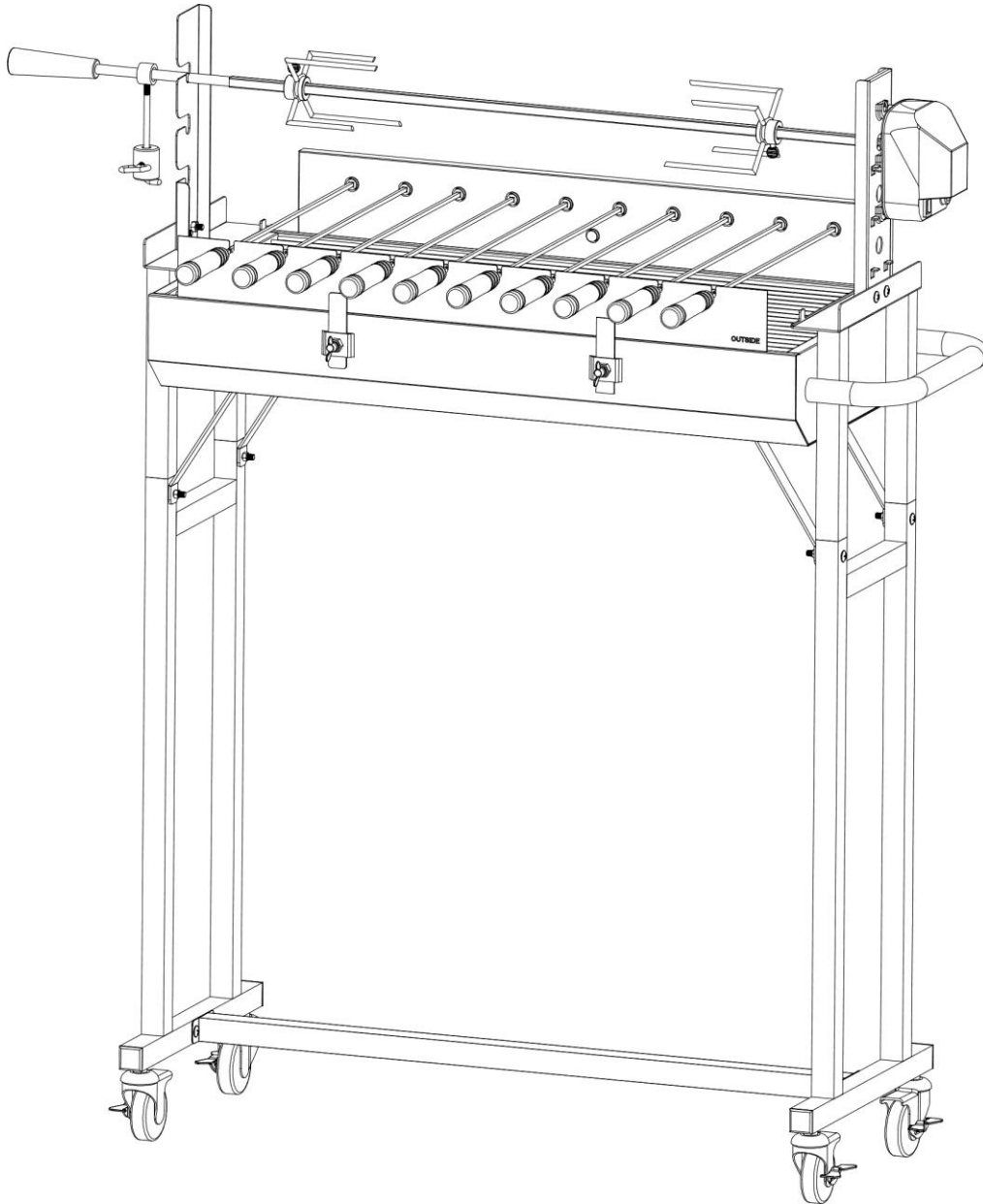


STEP 10

Place the assembled rotisserie rod and motor (part 1) onto the spit rotisserie as per below.



Fully Assembled



Your spit rotisserie is now ready for use.
Please take care when lighting your spit rotisserie.
Always keep children away from this spit rotisserie at all times.



WARRANTY

Thank you for purchasing one of our quality
Jumbuck Spit Rotisserie.

**YOUR JUMBUCK SPIT ROTISSERIE IS COVERED
AGAINST DEFECTS FOR A PERIOD OF 12 MONTHS
FOR PARTS AND LABOUR, REPAIR OR
REPLACEMENT**

**THIS WARRANTY EXCLUDES SURFACE RUST AND
DAMAGE CAUSE BY ABUSE OR NEGLECT**

CONDITIONS OF THE WARRANTY

- The appliance must be operated and maintained in accordance with the instructions supplied in the operating manual.
- Any repair does not extend the warranty period.
- Any parts other than original Jumbuck parts will void this warranty.

FOR WARRANTY CLAIMS

The warranty for Australia is given by :
Genesis International Corporation Pty Ltd
1/71 Truganina Road,
Malaga
Western Australia 6090
AUSTRALIA
(08) 9248 9822
service@genesiscorp.com.au
Proof of purchase must be presented.

The warranty for New Zealand is given by :
Bunnings NZ Limited
PO Box 14436,
Panmure, Auckland, 1471
NEW ZEALAND
(09) 978 2200
marketing@bunnings.co.nz
Proof of purchase must be presented.

Any claims under this warranty must be made within 12 months of the date of purchase of the product.



WARRANTY

For Australian Customers

Any claim under this warranty must be made within 12 months of the date of purchase of the product. To make a claim under the warranty, please contact Genesis International at service@genesiscorp.com.au or return the product (with proof of purchase) to any Bunnings store. Visit www.bunnings.com.au for store locations.

Genesis International bears reasonable, direct expenses of claiming under the warranty. You may submit details and proof to us for consideration.

The warranty covers manufacturer defects in materials, workmanship and finish under normal use.

This warranty is provided in addition to other rights and remedies you may have under law: our goods come with guarantees which cannot be excluded under the Australian Consumer Law. You are entitled to replacement or refund for a major failure and to have the goods repaired or replaced if the goods fail to be of acceptable quality and the failure does not amount to a major failure.

The warranty excludes damage resulting from product misuse or product neglect. The warranty covers domestic use only and does not apply to commercial applications.

For New Zealand Customer

Any claim under this warranty must be made within 12 months of the date of purchase of the product. To make a claim under the warranty, take the product (with proof of purchase) to any Bunnings store. Visit www.bunnings.co.nz for store locations.

Bunnings NZ Ltd bears reasonable, direct, expenses of claiming under the warranty. You may submit details and proof to our store for consideration.

The warranty covers manufacturer defects in materials, workmanship and finish under normal use.

This warranty is provided in addition to other rights and remedies you may have under law: our goods come with guarantees which cannot be excluded under the Consumer Guarantees Act 1993 (NZ). You are entitled to replacement or refund for a major failure and to compensation for other reasonably foreseeable loss or damage. You are also entitled to have the goods repaired or replaced if the goods fail to be of acceptable quality and the failure does not amount to a major failure.

Goods presented for repair may be replaced by refurbished goods of the same type rather than being repaired. Refurbished parts may be used to repair the goods.

The warranty excludes damage resulting from product misuse or product neglect. The warranty covers domestic use only and does not apply to commercial applications.



WARRANTY

WHAT IS NOT COVERED IN THE WARRANTY

- Removal or re-installation costs. This warranty does not cover costs for transit, nor in home service
- Liability will only be accepted for loss or damage during transit if at the time the product was being transported by Bunnings or a Bunnings approved contractor
- Lack of maintenance, abuse, neglect, misuse, accidental or improper installation of this appliances
- Scratches, dents, corrosion or discoloration caused by heat, abrasive chemicals cleaners
- Corrosions or damage caused by exposure to elements such as insects, weather, hail or grease and fat fires
- Rusting of the grill
- Cleaning and wear and tear, service calls of this nature are chargeable
- Commercial use of this product
- Unauthorized repairs or modification during warranty period

RECORD THE FOLLOWING INFORMATION

Attached the copy of the purchase receipt here

Date of Purchase.....

Purchased From.....

Location.....

Model Name and Number.....

Serial Number.....

Receipt Number.....

Note: The serial number is located either on the outside of the packing carton or inside on the appliance

FOR TECHNICAL ASSISTANCE

For Australia customers if you experience any technical issues with your JUMBUCK SPIT ROTISSERIE, in the first instance review the instructions manual or contact the warranty service agent

For New Zealand customers if you experience any technical issues with your JUMBUCK SPIT ROTISSERIE, in the first instance review the instructions manual or contact your local Bunnings warehouse

FOR SPARE PARTS

Call your local Bunnings warehouse and ask them to order a part for you. You should provide the following information:

Model of spit rotisserie

.....

Year of Purchase

.....

Name of warranty service company

.....

Part that requires replacement (refer to the parts list in the instructions manual)

.....

