

A 	B 	C 	D 	E 
frosted glass hinges x 2	gas strut x 2	10mm flat head screw x 4	14mm wood screws x 10	14mm truss head x 4

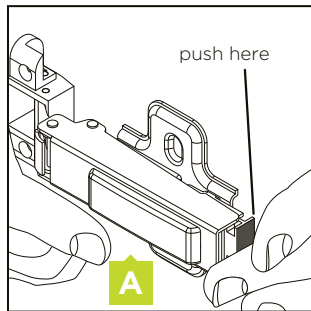
attaching slimline frosted glass door to a cabinet

attaching slimline frosted glass door to a cabinet

removing hinge plate

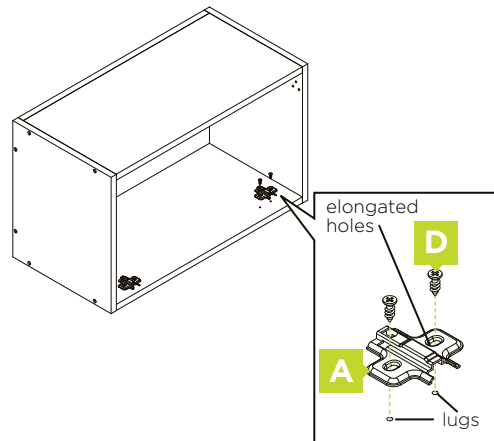
1.

remove the hinge from the hinge plate by pushing on the release tab.



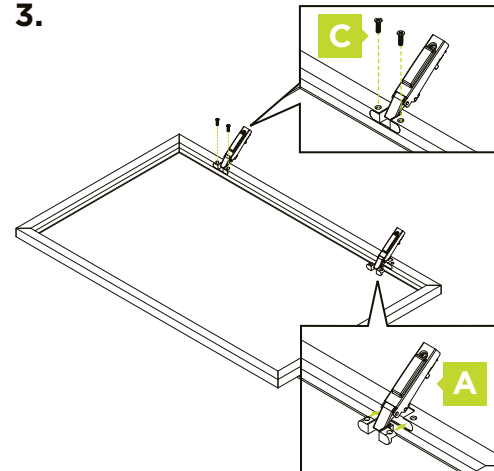
attaching hinge plate to cabinet

2.



attaching hinge to door

3.



step 2

hardware key

A 	B 	C 	D 	E 
frosted glass hinges x 2	gas strut x 2	10mm flat head screw x 4	14mm wood screws x 10	14mm truss head x 4

Caring for your Kaboodle parts and accessories

Looking after your parts and accessories is really easy and with the right care and maintenance they will last you for many years. Just follow these simple steps. Hinges, runners and other parts and accessories should be kept dry at all times. To keep the mechanisms performing at their best, regularly wipe them with a dry cloth removing any dust and grime that may build up.

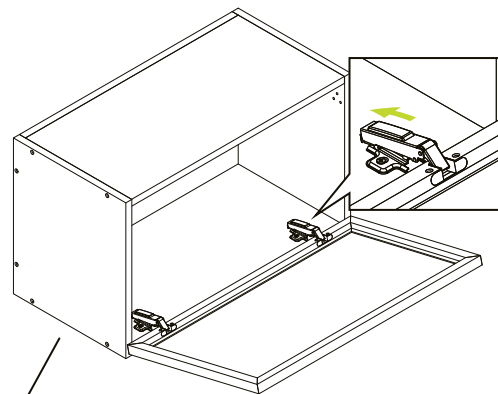
In case of spills, clean immediately with a dry cloth. Do not use harsh abrasives.

If you need any more information you can contact us: Australia: **1800 666 078** Monday to Friday between 8:00am and 6:00pm AEST. New Zealand: **0800 522 663** Monday to Friday between 8:00am and 5:00pm NZST or email: info@kaboodlegroup.com.au.

step 1	step 2	step 3	step 4
Your cabinets are now assembled.	You've installed your parts and accessories.	Then follow the instructions to fit your doors and panels.	Finish off your Kaboodle Kitchen by installing your benchtop.

attaching door to cabinet

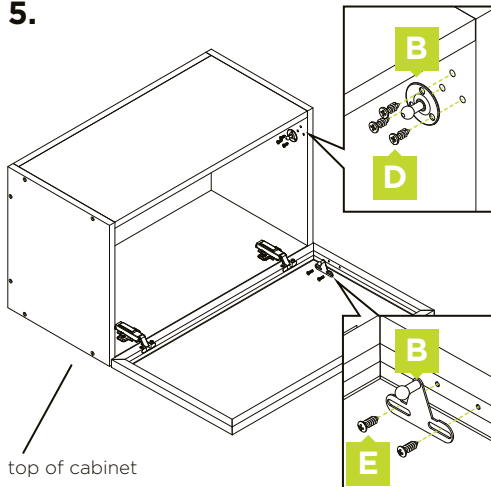
4.



top of cabinet

attaching gas strut

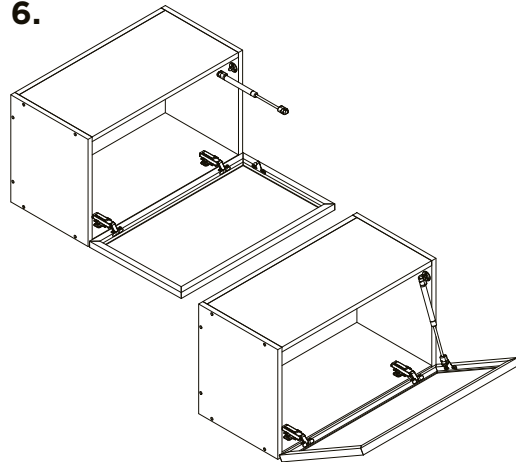
5.



top of cabinet

attaching gas strut

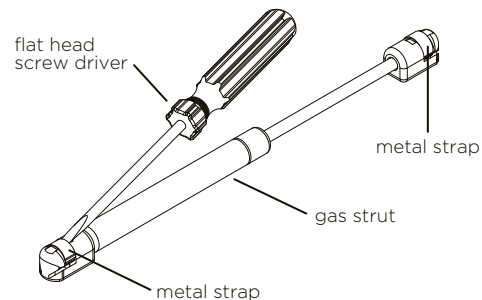
6.



removing the gas strut

7.

to remove the gas strut from the bracket use a flat head screw driver to lift the metal strap on either end of the strut.



note: the gas strut can be adjusted by moving the bracket on the door forwards or backwards.